



US00D928538S

(12) **United States Design Patent** (10) **Patent No.:** **US D928,538 S**
Johnson et al. (45) **Date of Patent:** **** Aug. 24, 2021**

(54) **DISPLAY CART**
(71) Applicant: **TARGET BRANDS, INC.**,
Minneapolis, MN (US)
(72) Inventors: **Jason W. Johnson**, Wayzata, MN (US);
Jeremy A. Clark, Minneapolis, MN
(US); **Christopher S. Case**, Shakopee,
MN (US)
(73) Assignee: **TARGET BRANDS, INC.**,
Minneapolis, MN (US)

D228,631 S * 10/1973 Rogove et al. D34/18
3,861,702 A 1/1975 Wilson
D234,945 S * 4/1975 McCooey D34/13
D250,409 S 11/1978 Quapp
4,185,848 A 1/1980 Holtz
D276,754 S * 12/1984 Smith D34/20
D334,303 S * 3/1993 Costello D6/661
D341,458 S * 11/1993 Carroll D34/19
D346,291 S 4/1994 Chi
D365,906 S * 1/1996 Lee D34/19
D381,165 S 7/1997 Mates et al.
D412,075 S 7/1999 Gingrich et al.

(Continued)

(**) Term: **15 Years**

OTHER PUBLICATIONS

(21) Appl. No.: **29/756,847**

“Sturdy Laundry Storage Rack”, printed from www.probytonline.xyz/laundry-baskets-bins-c-7_71_105/sturdy-la...ack-detergent-clothes-drying-hang-bar-rolling-cart-dryer-p-19914.html, publicly available at least as early as Aug. 15, 2018 (4 pages).

(22) Filed: **Oct. 30, 2020**

(Continued)

Related U.S. Application Data

(63) Continuation of application No. 29/672,896, filed on Dec. 10, 2018, now Pat. No. Des. 900,515.

Primary Examiner — Kelley A Donnelly

(51) **LOC (13) Cl.** **06-06**

(74) *Attorney, Agent, or Firm* — JoAnn M. Seaton; Griffiths & Seaton PLLC

(52) **U.S. Cl.**
USPC **D6/675.1**

(57) **CLAIM**

(58) **Field of Classification Search**
USPC D6/672, 675, 675.1, 675.2, 675.3, 675.4,
D6/675.5; D34/12, 14, 17, 21, 27;
D7/334, 337
CPC A47F 1/00; A47B 96/00; A47B 96/02;
A47B 47/00; A47B 47/021; A47B 85/06;
A47B 85/08; B62B 1/00; B62B 3/00
See application file for complete search history.

The ornamental design for a display cart, as shown and described.

DESCRIPTION

(56) **References Cited**

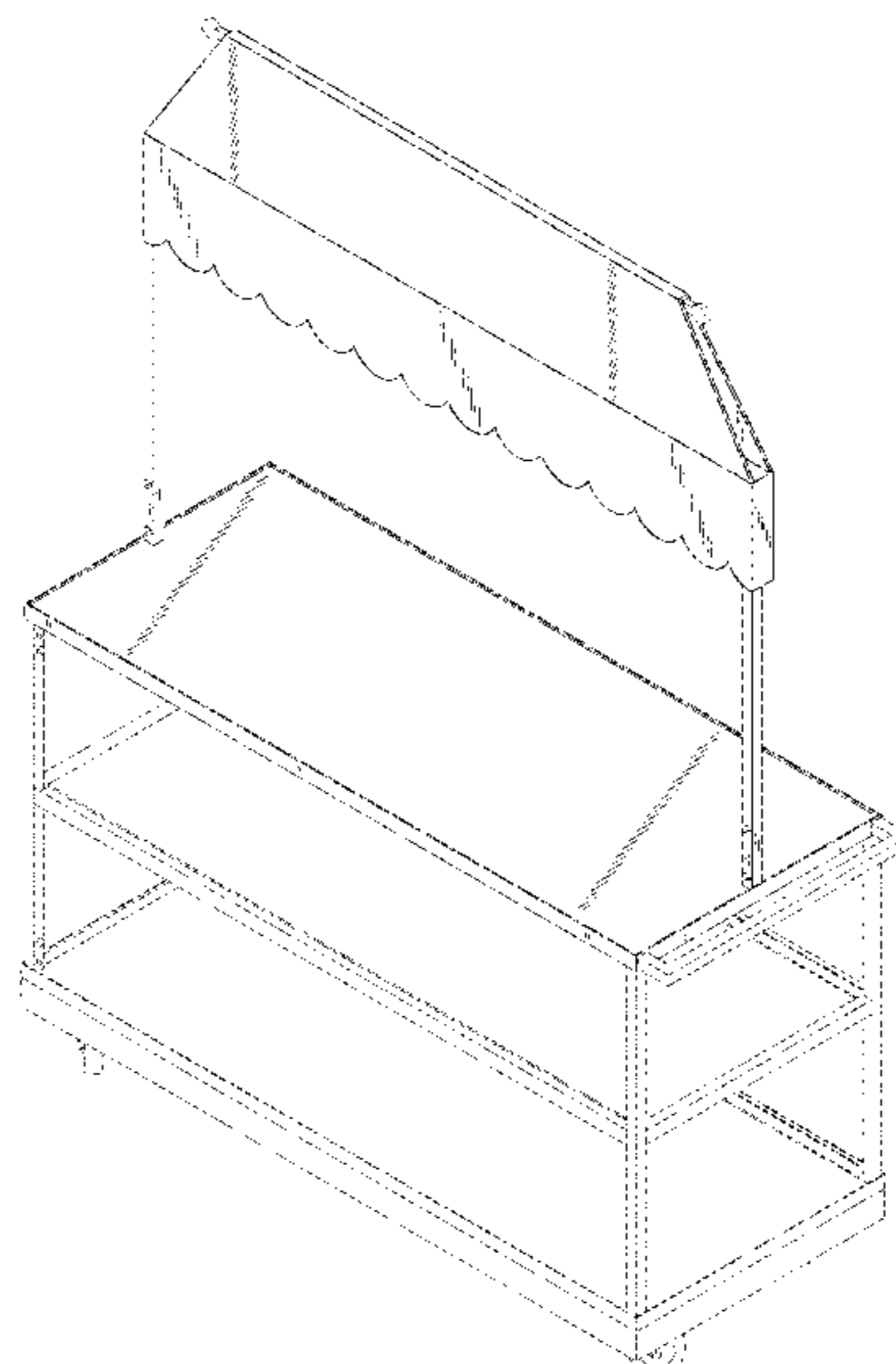
U.S. PATENT DOCUMENTS

D106,997 S 11/1937 Thompson
D222,633 S 11/1971 Carter et al.
D223,104 S * 3/1972 Looms D34/19
D225,839 S * 1/1973 Bachman D34/20
D228,063 S * 8/1973 Keeshin et al. D7/347

FIG. 1 is a front perspective view of a display cart showing an embodiment of our new design;
FIG. 2 is a front view thereof, the rear view being a mirror image of the front view;
FIG. 3 is a right side view thereof;
FIG. 4 is a left side view thereof;
FIG. 5 is a top view thereof; and,
FIG. 6 is a bottom view thereof.

The features shown in broken lines are portions of the display cart forming no part of the claimed design.

1 Claim, 4 Drawing Sheets



(56)

References Cited

U.S. PATENT DOCUMENTS

D430,964 S 9/2000 Liaw
D443,398 S 6/2001 Mount
D443,745 S 6/2001 Mount
D520,707 S 5/2006 Phillips, II
7,114,733 B2 10/2006 Downs
D561,972 S 2/2008 Roever
D678,640 S 3/2013 Van Es
D678,641 S 3/2013 Van Es
D690,070 S 9/2013 Van Es
D692,701 S * 11/2013 Peggs D6/675.1
D723,238 S 2/2015 Spates
D730,609 S 5/2015 Miller
D733,385 S 6/2015 Spates
D760,463 S 6/2016 Kellogg
D805,329 S 12/2017 Rockwell et al.
D825,959 S 8/2018 Rockwell et al.
D827,342 S 9/2018 Stukenberg et al.

D864,625 S 10/2019 Rockwell et al.
D864,627 S 10/2019 Rockwell et al.
D871,116 S 12/2019 Li
D885,806 S * 6/2020 Rockwell D6/675
D900,515 S * 11/2020 Johnson D6/675.1
2006/0232032 A1 10/2006 Goldberg

OTHER PUBLICATIONS

“Oceanstar Heavy Duty 3-Shelf Adjustable 4-Wheeled Garment Rack with Hooks in Black”, printed from www.homedepot.com/p/Oceanstar-Heavy-Duty-3-Shelf-Steel-Adjustable-Garment-Rack-with-Hooks-in-Black-GRS1514/205866922#customer_reviews, publicly available at least as early as Aug. 15, 2018 (4 pages).
“3 Level Heavy Duty Shelf Trolley”, printed from www.bigdug.co.uk/racking-and-shelving-c4501/by-location-c4511/warehouse-c4515/3-level-heavy-duty-shelf-trolley-p19061, publicly available at least as early as Aug. 15, 2018 (1 page).

* cited by examiner

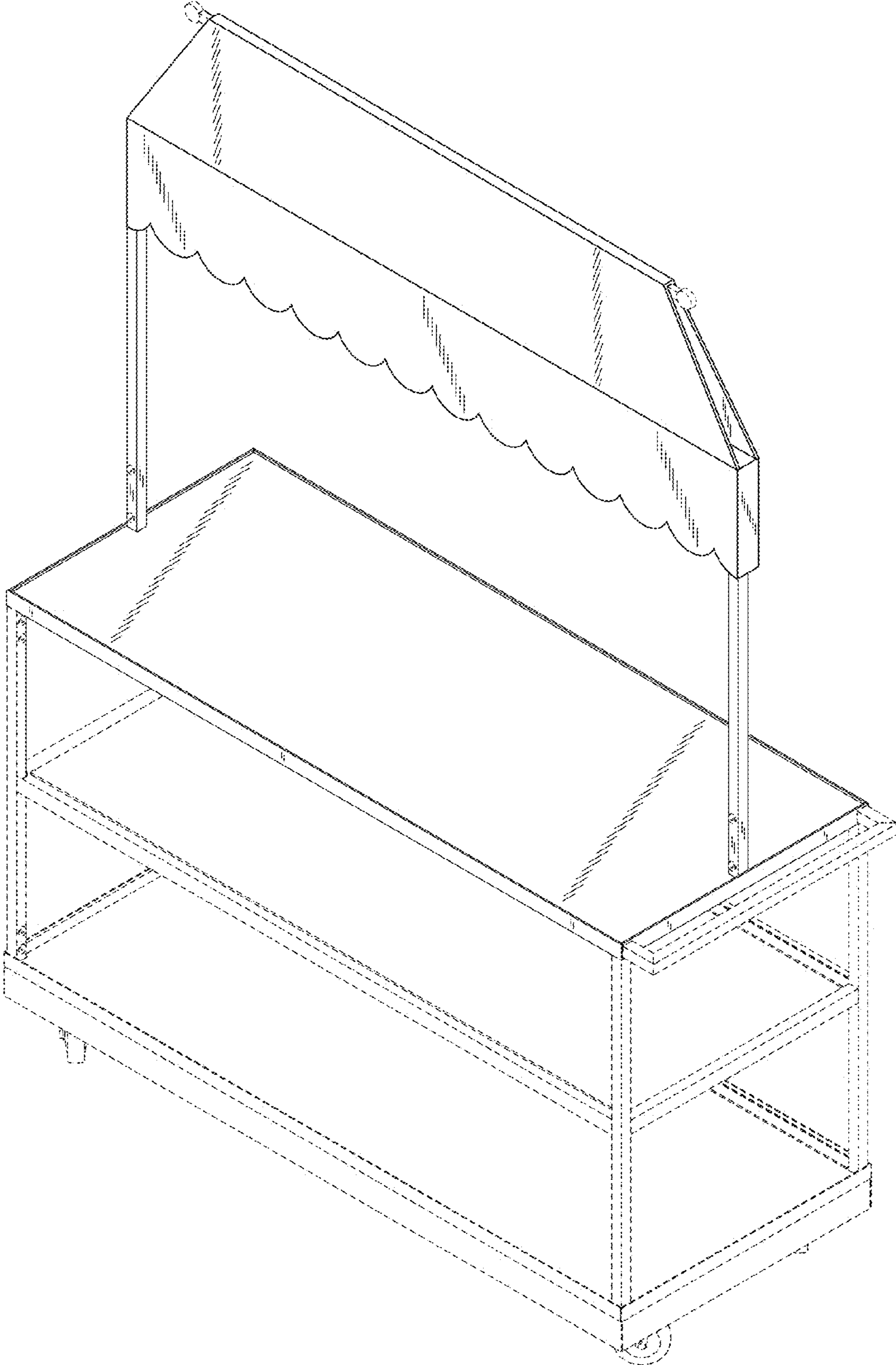


FIG. 1

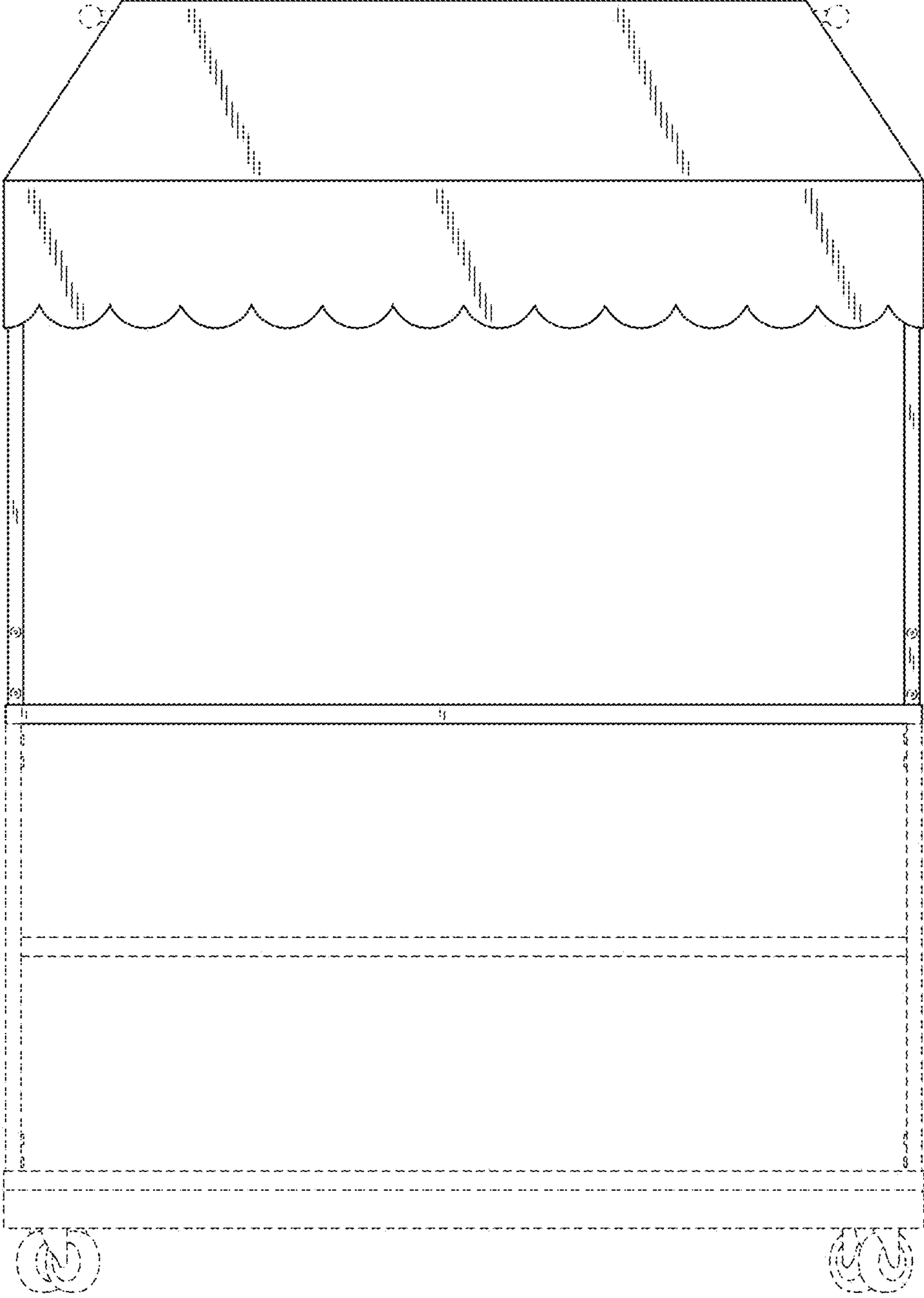


FIG. 2

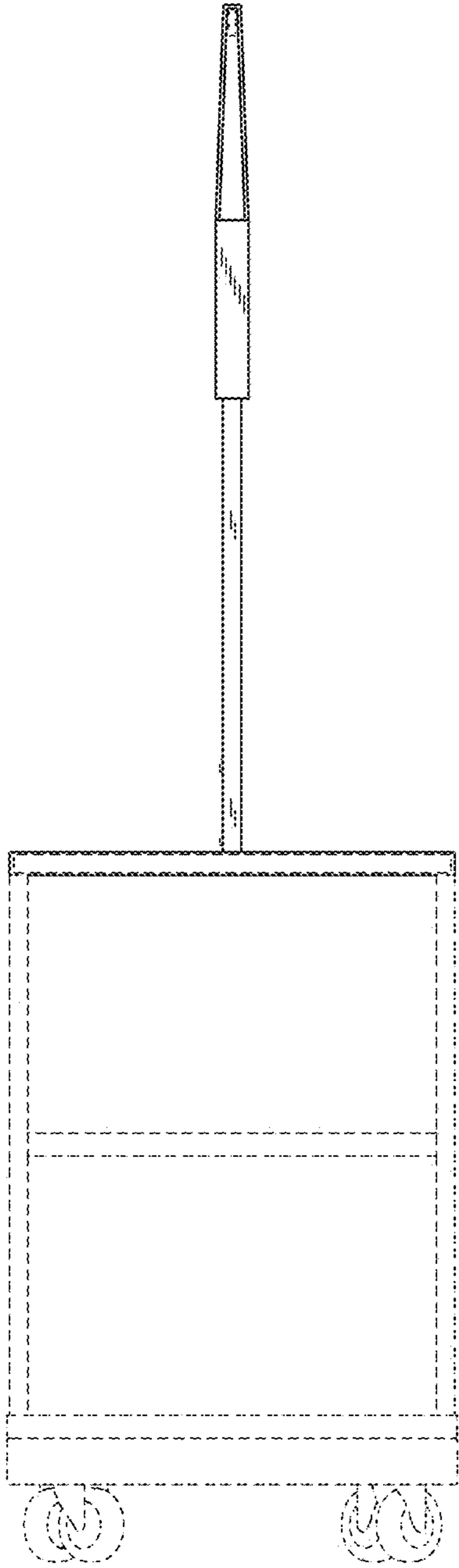


FIG. 3

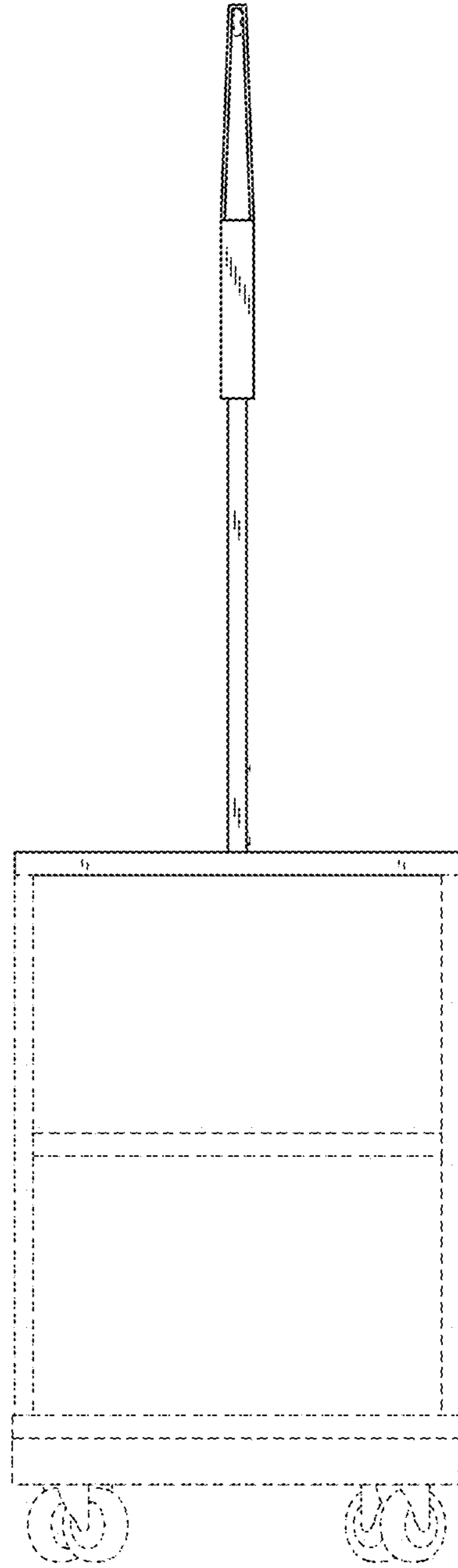


FIG. 4

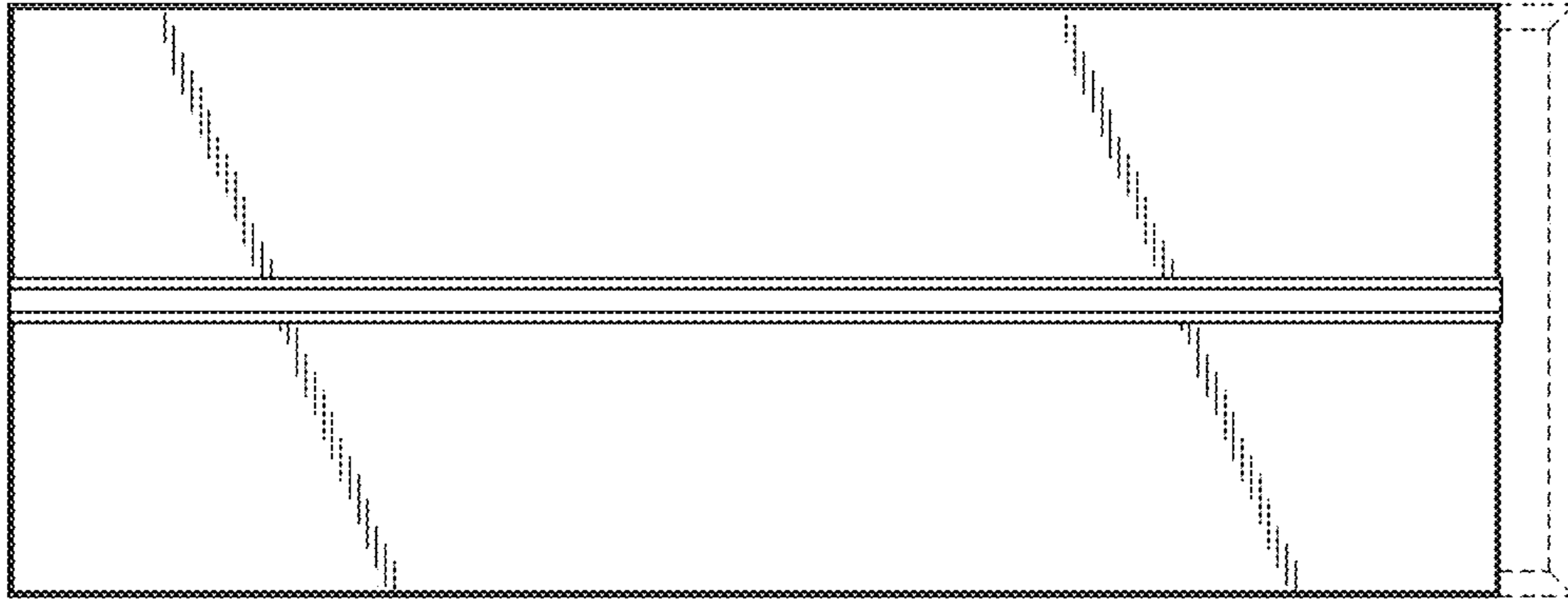


FIG. 5

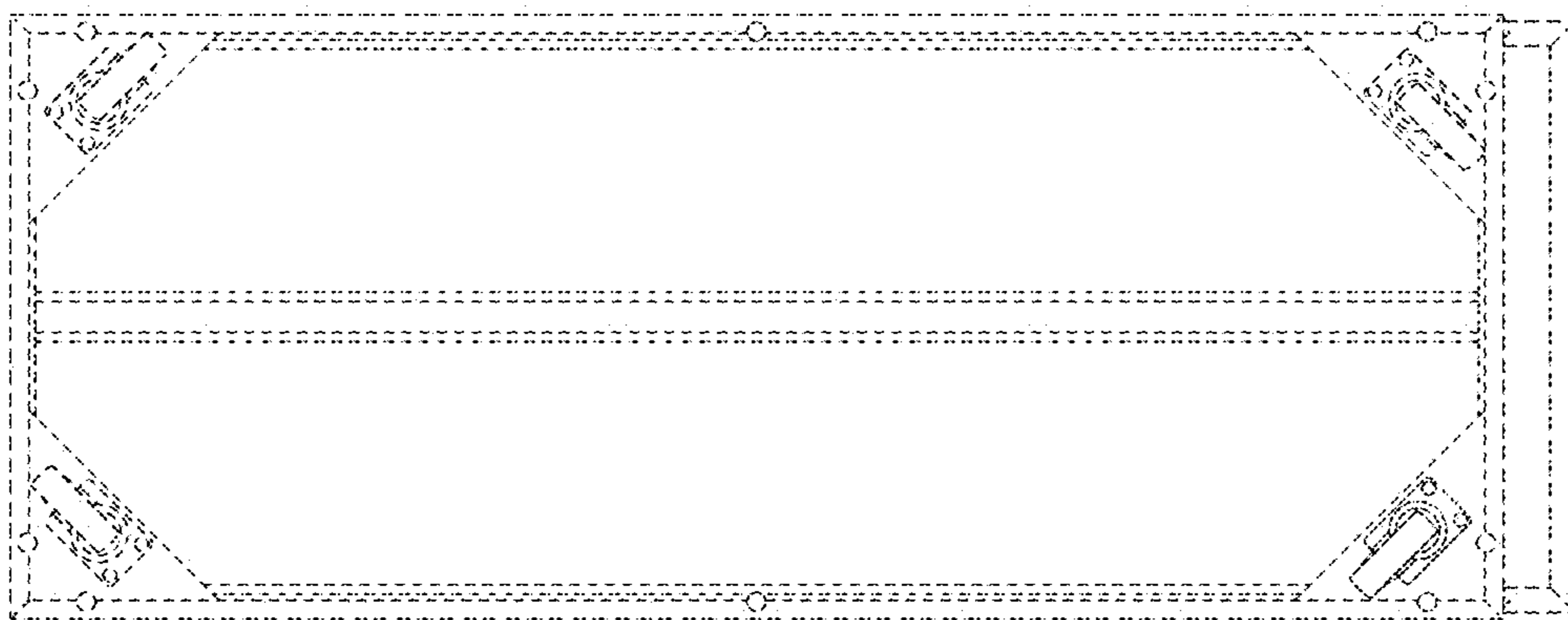


FIG. 6