



US00D928537S

(12) **United States Design Patent** (10) **Patent No.:** **US D928,537 S**  
**Seib** (45) **Date of Patent:** **\*\* Aug. 24, 2021**

(54) **STORAGE FURNITURE**  
(71) Applicant: **Wolfgang Seib**, Schopfloch (DE)  
(72) Inventor: **Wolfgang Seib**, Schopfloch (DE)  
(\*\*) Term: **15 Years**

(21) Appl. No.: **35/509,456**  
(22) Filed: **Oct. 29, 2019**

(80) **Hague Agreement Data**  
Int. Filing Date: **Oct. 29, 2019**  
Int. Reg. No.: **DM/208267**  
Int. Reg. Date: **Oct. 29, 2019**  
Int. Reg. Pub. Date: **May 29, 2020**

(51) **LOC (13) Cl.** ..... **06-04**  
(52) **U.S. Cl.**  
USPC ..... **D6/663**

(58) **Field of Classification Search**  
USPC ..... D6/657, 663, 665, 666, 672  
CPC ..... A47B 43/00; A47B 45/00; A47B 46/00;  
A47B 46/0005; A47B 47/00; A47B  
47/0016; A47B 47/0066; A47B 47/0075;  
A47B 47/04; A47B 51/00; E06B 3/00;  
E06B 5/006; E06B 9/115  
See application file for complete search history.

(56) **References Cited**  
U.S. PATENT DOCUMENTS

3,729,113 A \* 4/1973 Lopatka ..... A47B 57/30  
220/480  
3,955,864 A \* 5/1976 MacDonald ..... A47B 43/00  
312/258  
D249,430 S \* 9/1978 Chervenak ..... D6/663  
D250,235 S \* 11/1978 Chervenak ..... D6/663  
D250,309 S \* 11/1978 Chervenak ..... D6/663  
4,128,120 A \* 12/1978 Frey ..... E05D 15/24  
16/197

4,140,356 A \* 2/1979 Chervanek ..... A47B 67/04  
312/111  
D286,122 S \* 10/1986 Golias ..... D6/559  
D293,178 S \* 12/1987 Hamami ..... D6/559  
(Continued)

**OTHER PUBLICATIONS**

TAD FLEXI DY-4 storage cube cabinet with door, shopee.com,  
<https://shopee.com.my/TAD-FLEXI-DY-4-wooden-DIY-stackable-storage-cube-cabinet-with-door-book-rack-display-cabinet-White-i.183256730.7103432005> (Year: 2021).  
(Continued)

*Primary Examiner* — Steven J Cxyz

(57) **CLAIM**

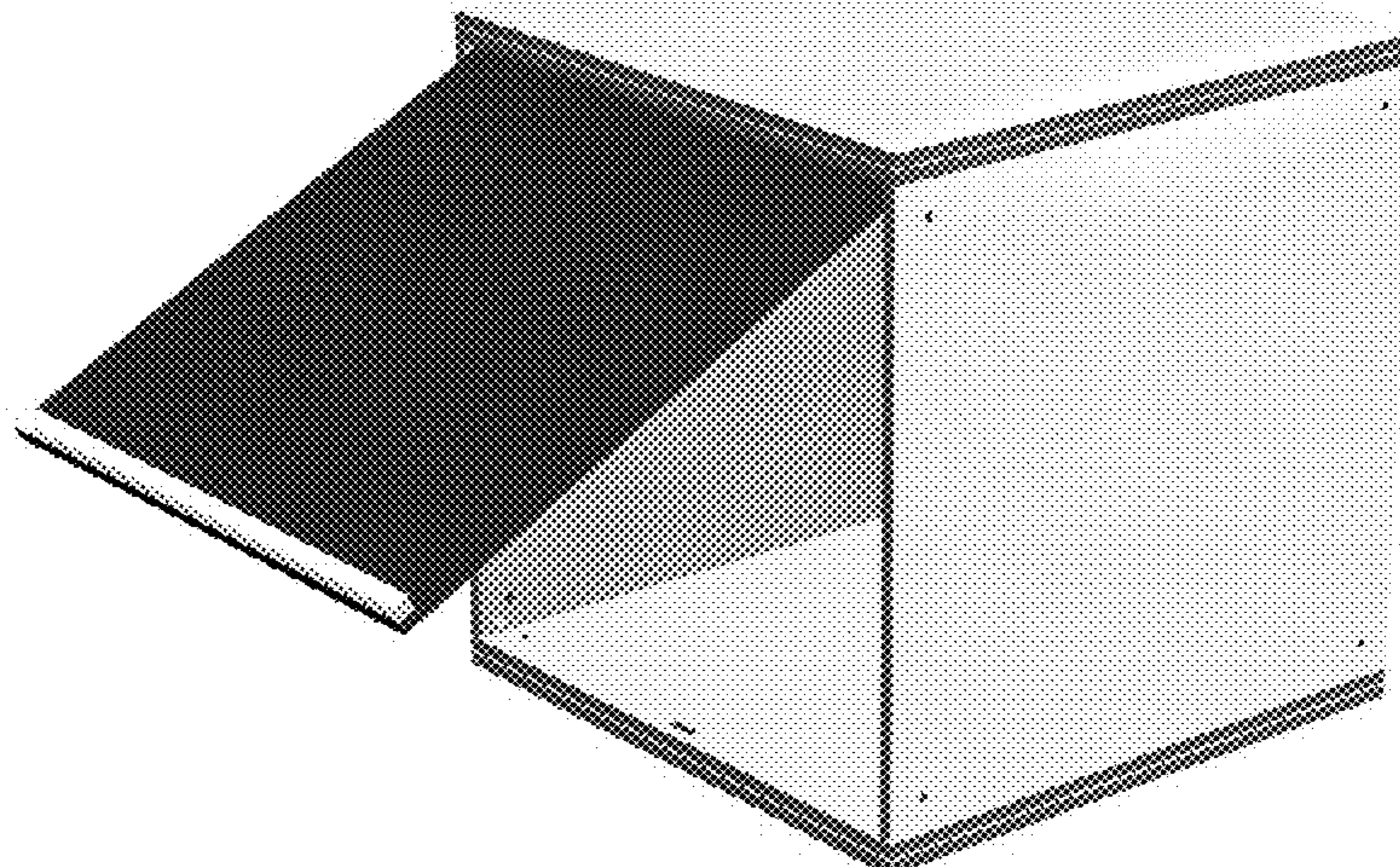
The ornamental design for a storage furniture, as shown and described.

**DESCRIPTION**

The patent or application file contains at least one drawing executed in color. Copies of this patent or patent application publication with color drawing(s) will be provided by the Office upon request and payment of the necessary fee.

- 1. Storage furniture
- 1.1 is a perspective view of a storage furniture shown in a closed state;
- 1.2 is a perspective view of the storage furniture shown in a partially open state;
- 1.3 is a perspective view of the storage furniture shown in an open state;
- 1.4 is another perspective view of the storage furniture shown in a partially open state;
- 1.5 is a perspective view of the storage furniture shown in an open state with the door shifted inside the article;
- 1.6 is a front view of the storage furniture shown in an open state with the door shifted inside the article; and
- 1.7 is a front view of the storage furniture shown in a partially open state.

(Continued)



Cube shaped storage furniture with front door which can be opened by swinging it upward and shifting it into the interior of the cube.

**1 Claim, 7 Drawing Sheets  
(7 of 7 Drawing Sheet(s) Filed in Color)**

(56)

**References Cited**

U.S. PATENT DOCUMENTS

D310,999 S \* 10/1990 Nuttall ..... D14/311  
 5,370,452 A \* 12/1994 Baer ..... A45D 44/04  
 312/209  
 D388,976 S \* 1/1998 Markson ..... D6/663  
 5,873,643 A \* 2/1999 Burgess, Jr. .... A47B 96/04  
 312/290  
 D410,230 S \* 5/1999 Witte ..... D14/371  
 D412,797 S \* 8/1999 Sadler ..... D6/663  
 D413,457 S \* 9/1999 Verbeek ..... D6/666  
 6,007,171 A \* 12/1999 Varellas-Olree ..... A47B 47/00  
 312/323  
 D434,579 S \* 12/2000 Rabb ..... D6/663  
 D437,148 S \* 2/2001 Base ..... D27/189  
 D437,149 S \* 2/2001 Klein ..... D6/666  
 D459,611 S \* 7/2002 Lio ..... D6/663  
 D471,377 S \* 3/2003 Gledhill ..... D6/663  
 D472,732 S \* 4/2003 Citterio ..... D6/666  
 D473,052 S \* 4/2003 Dehenau ..... D3/273  
 D474,625 S \* 5/2003 Chen ..... D6/663  
 D481,222 S \* 10/2003 Tsai ..... D6/663  
 D492,860 S \* 7/2004 Bertocini ..... D6/661  
 6,863,358 B2 \* 3/2005 Beyer ..... E06B 3/482  
 312/297  
 D559,567 S \* 1/2008 Amezola Portuondo ..... D6/332

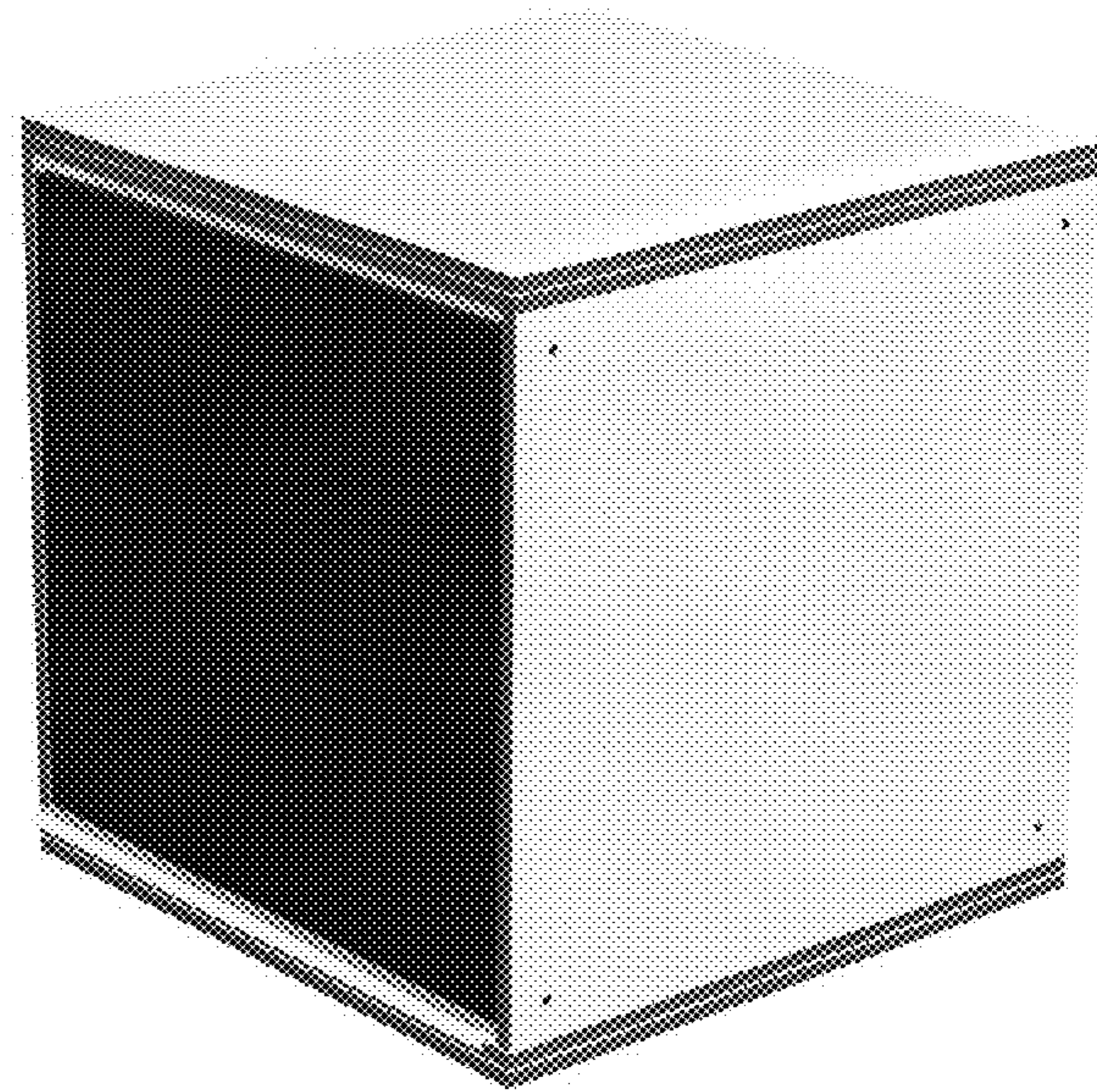
D563,692 S \* 3/2008 DeCarlo ..... D6/663  
 D622,959 S \* 9/2010 Zalewski ..... D3/273  
 D628,829 S \* 12/2010 Obiorah ..... D6/662.1  
 D632,892 S \* 2/2011 Zalewski ..... D3/273  
 D634,564 S \* 3/2011 Licari ..... D6/657  
 D654,720 S \* 2/2012 Schiff ..... D6/663  
 D663,118 S \* 7/2012 Zalewski ..... D3/273  
 D667,652 S \* 9/2012 Wang ..... D6/663  
 D672,574 S \* 12/2012 Wilson, Jr. .... D6/663  
 D721,890 S \* 2/2015 Heil ..... D3/272  
 D732,321 S \* 6/2015 Choi ..... D6/663  
 D735,499 S \* 8/2015 Stein ..... D6/663  
 9,140,289 B2 \* 9/2015 Sutterluetti ..... F16B 35/041  
 D742,661 S \* 11/2015 Stein ..... D6/663  
 D743,190 S \* 11/2015 Franck ..... D6/675  
 9,258,911 B2 \* 2/2016 Cox ..... H05K 7/1488  
 9,730,517 B2 \* 8/2017 Youngs ..... A47B 88/487  
 D799,862 S \* 10/2017 Laumerich ..... D6/675  
 D811,132 S \* 2/2018 Ni ..... A47B 57/30  
 D6/671.1  
 D825,958 S \* 8/2018 Scheper ..... A47B 51/00  
 D6/663  
 D842,009 S \* 3/2019 Harrison ..... F16B 35/041  
 D6/663  
 10,624,484 B1 \* 4/2020 Mountford ..... A47B 57/583  
 10,625,537 B1 \* 4/2020 Dawson ..... G09F 15/0068  
 10,674,816 B1 \* 6/2020 Shih ..... A47B 96/068  
 D905,479 S \* 12/2020 Kappler ..... A47B 67/04  
 D6/663  
 10,995,830 B2 \* 5/2021 Flogaus ..... A47B 51/00

OTHER PUBLICATIONS

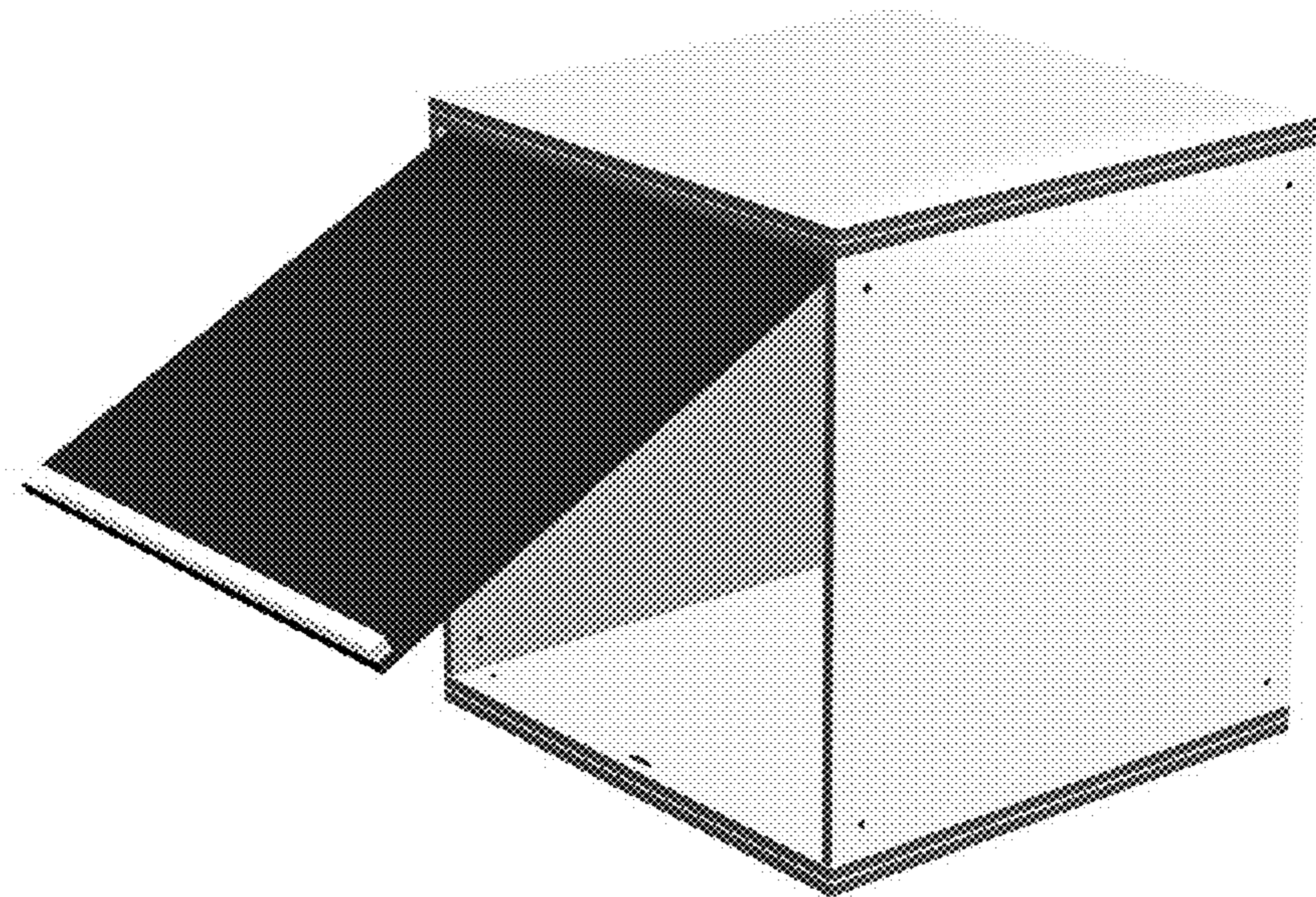
Iris Wood Storage Cube With Pocket Door, Kuda Series, macys.com, <https://www.macys.com/shop/product/wood-storage-cube-with-pocket-door-kuda-series?ID=8848735> (Year: 2020).\*

\* cited by examiner

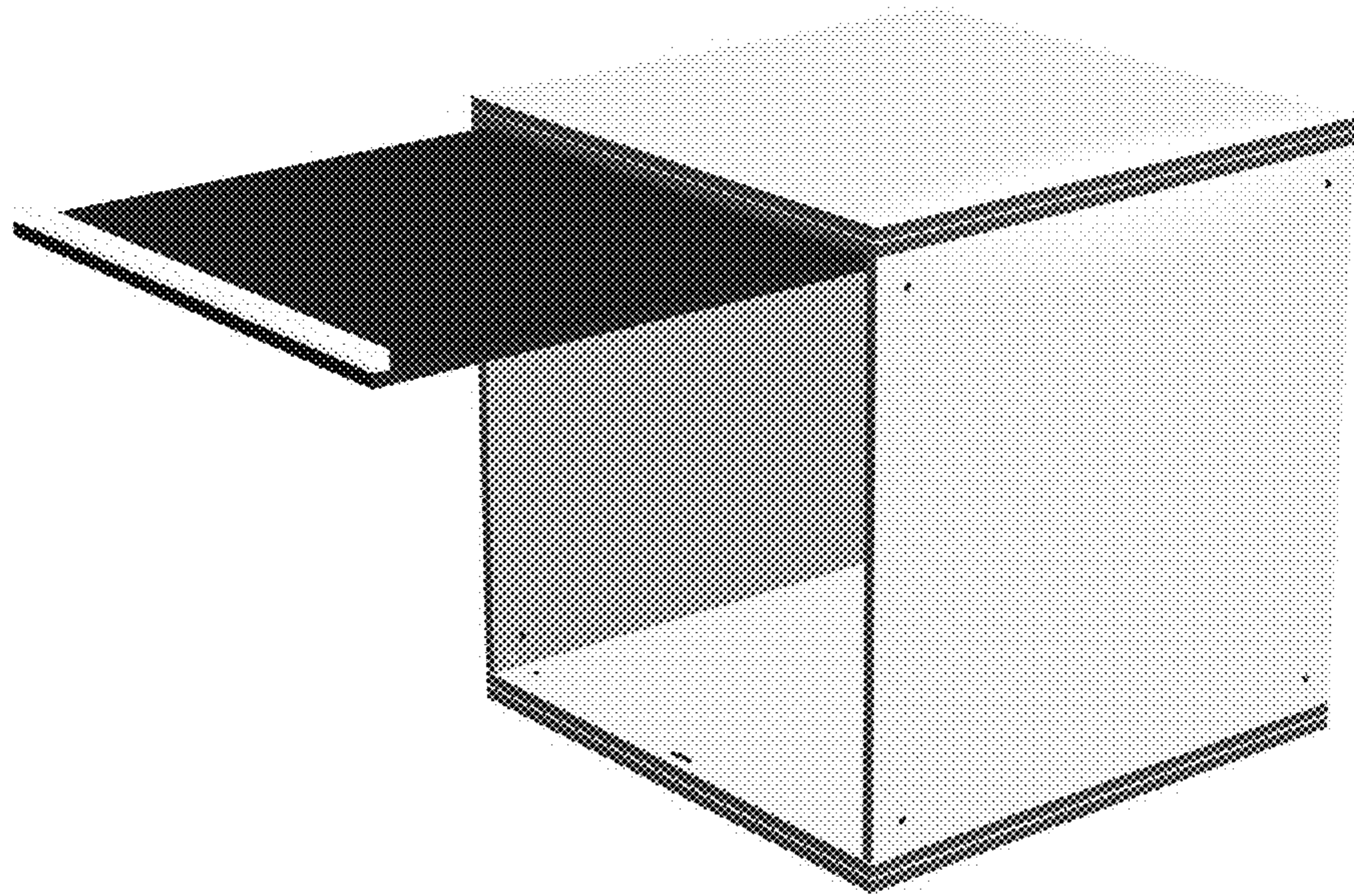
1.1



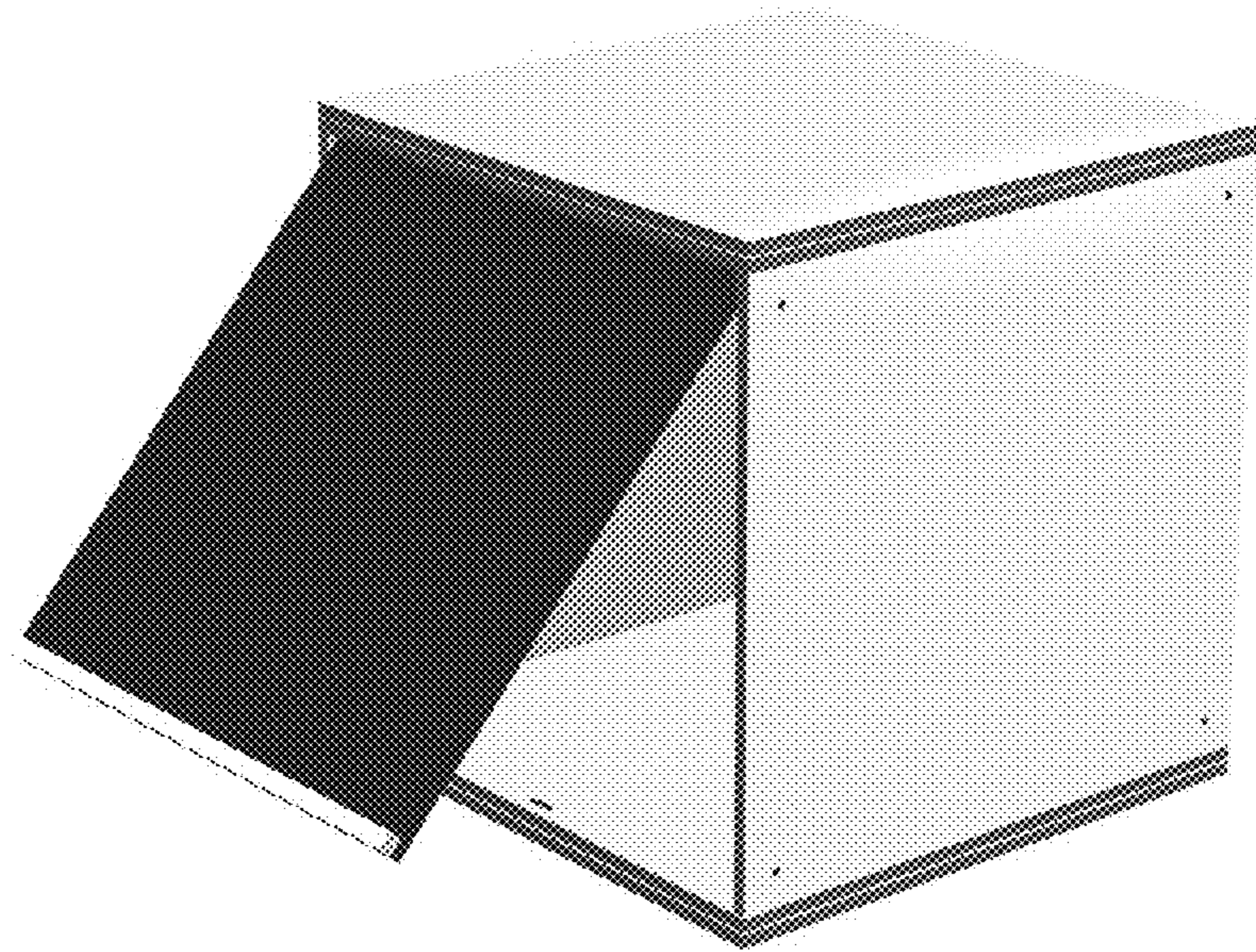
1.2



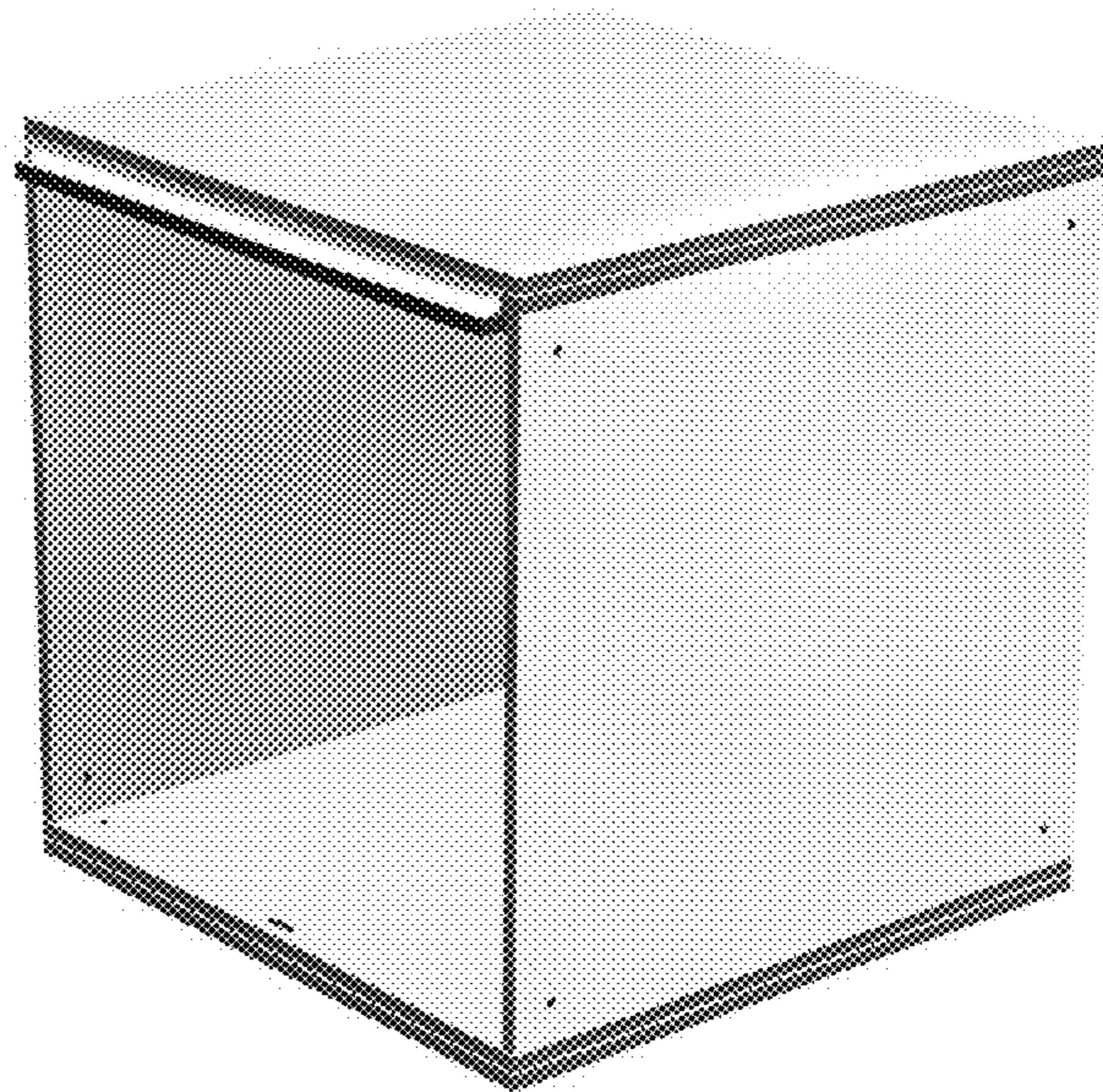
1.3



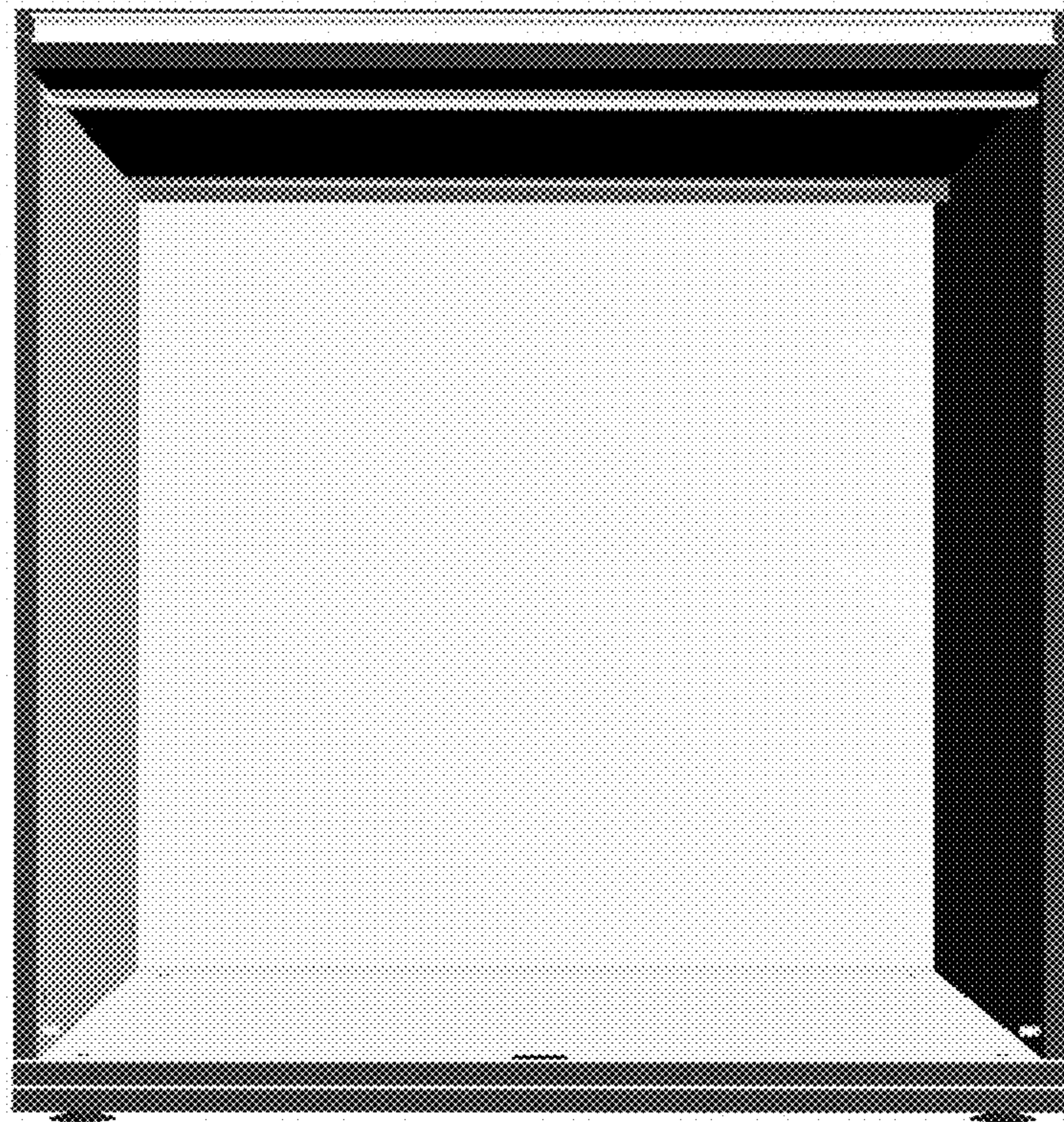
1.4



1.5



1.6





1.7

