



US00D928536S

(12) **United States Design Patent** (10) **Patent No.:** **US D928,536 S**
Huang (45) **Date of Patent:** **** Aug. 24, 2021**

(54) **DESK**

(71) Applicant: **NINGBO CHENXIN OPTOELECTRONIC CO., LTD,** Ningbo (CN)

(72) Inventor: **Huiai Huang,** Cixi (CN)

(73) Assignee: **NINGBO CHENXIN OPTOELECTRONIC CO., LTD,** Ningbo (CN)

(**) Term: **15 Years**

(21) Appl. No.: **29/756,053**

(22) Filed: **Oct. 26, 2020**

(51) **LOC (13) Cl.** **06-03**

(52) **U.S. Cl.**
USPC **D6/656**

(58) **Field of Classification Search**
USPC D6/641, 642, 656, 656.1, 656.13, 656.14, D6/656.16, 656.18, 656.19, 685, 686, D6/691, 691.6
CPC .. A47B 3/00; A47B 3/002; A47B 7/00; A47B 9/00; A47B 13/00; A47B 13/02; A47B 13/04; A47B 13/06; A47B 13/08; A47B 13/10; A47B 13/12; A47B 17/00; A47B 17/003; A47B 17/006; A47B 21/00; A47B 21/02

See application file for complete search history.

(56) **References Cited**

U.S. PATENT DOCUMENTS

D220,704 S *	5/1971	Krammer	D6/691.8
D228,107 S *	8/1973	Klotz et al.	D6/691.6
D234,559 S *	3/1975	Waltzman	D6/651
D244,114 S *	4/1977	Neff	D6/691.8
D776,961 S	1/2017	Yamamoto		
D845,679 S *	4/2019	Li	D6/656
D866,232 S *	11/2019	Davis	D6/691.6
D877,540 S	3/2020	Yamamoto		
D908,400 S *	1/2021	Wu	D6/656
D910,342 S *	2/2021	Li	D6/656

OTHER PUBLICATIONS

COMHOMA Folding Desk Foldable Computer Desk—Amazon, Date first available Jan. 10, 2021 https://www.amazon.com/COMHOMA-Computer-Industrial-Assembly-Required/dp/B083QD6W7Y/ref=sr_1_17_sspa?dchild=1&keywords=foldable+desk&qid=1625591093&sr=8-17-spons&psc=1&spLa=ZW5jcmlwdGVkUXVhbGlnaWVyPUFEWDBDVVJSTFVUVFlmZW5jcmlwdGVkSWQ9QTAxNTQyMzkzRVBCMzVCUVdlRkRGJmVuY3J5cGRUZEfkSWQ9QTA5MTQxNDExT1BWRkJSk1aTkNVJndpZgdlE5hbWU9c3BfbXRmJmFjdGlvbj1jbGlja1JIZFlzZWN0JmRvTm90TG9nQ2xpY2s9dHJ1ZQ==retrieved from the internet on Jul. 6, 2021.*

Coavas Folding Desk—Amazon, Date first available Apr. 3, 2017 [https://www.amazon.com/dp/B06XZV3F8F?ots=1&slotNum=13&imprToken=e8bd0aa6-e578-aa27-a63&ascsubtag=\[st\[p\]jun3811d00cpl7y6jfcy9z3\[i\]XLokQa\[u\]1\[t\]w\[r\]google.com\[d\]D\[z\]m&>tag=thestrategistsite-20](https://www.amazon.com/dp/B06XZV3F8F?ots=1&slotNum=13&imprToken=e8bd0aa6-e578-aa27-a63&ascsubtag=[st[p]jun3811d00cpl7y6jfcy9z3[i]XLokQa[u]1[t]w[r]google.com[d]D[z]m&>tag=thestrategistsite-20) retrieved from the internet on Jun. 16, 2021.*
4NM No-Assembly 35.4 Foldinf Desk—Amazon, Date first available Nov. 20, 2019 <https://www.amazon.com/4NM-No-Assembly-Folding-Writing-Computer/dp/B0829L6RB4?th=1> retrieved from the internet on Feb. 4, 2021.*

* cited by examiner

Primary Examiner — Mary Ann Calabrese

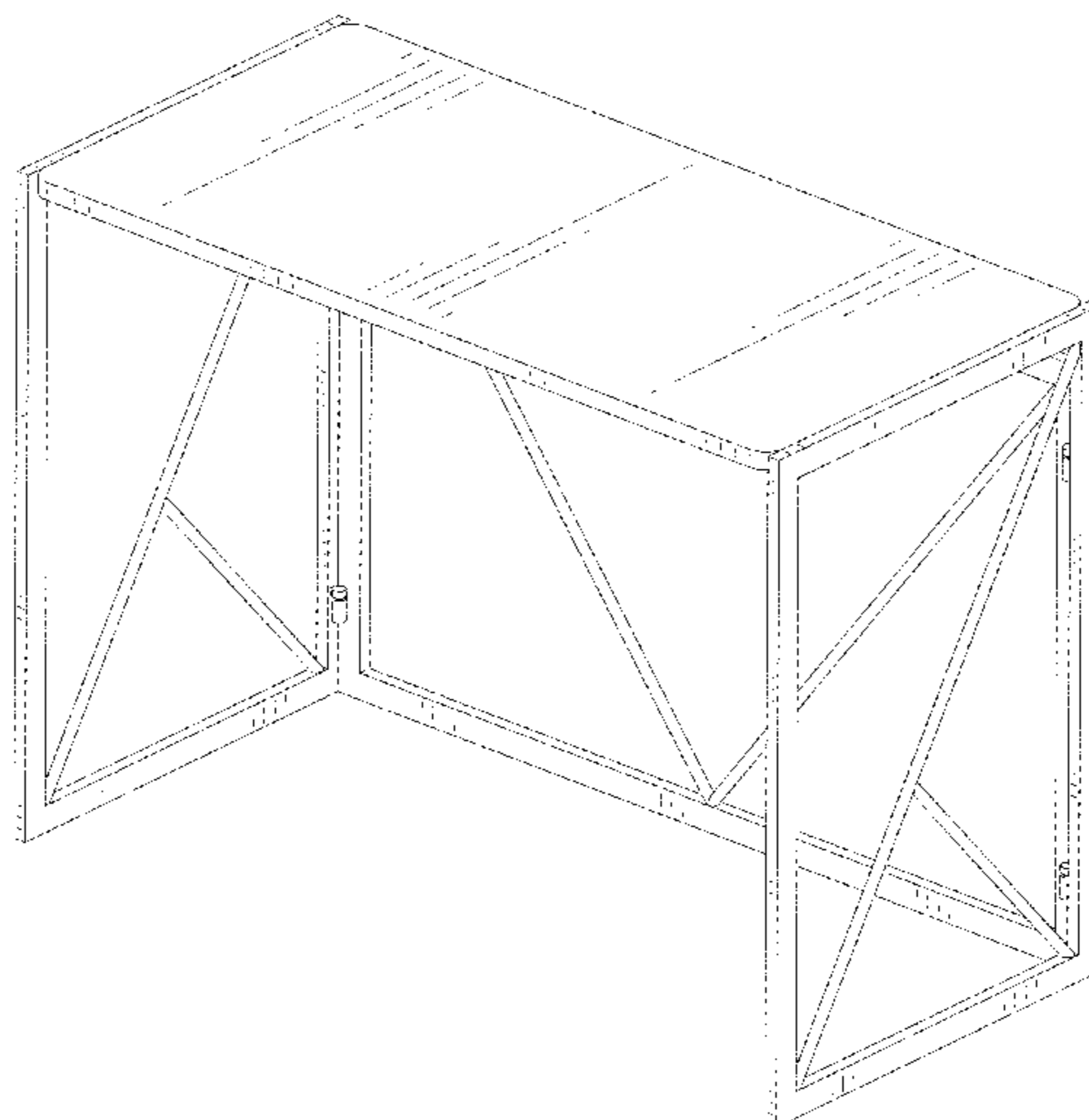
(57) **CLAIM**

The ornamental design for a desk, as shown and described.

DESCRIPTION

FIG. 1 is a top front perspective view of a desk showing my new design;
FIG. 2 is a bottom rear perspective thereof;
FIG. 3 is a front elevational view thereof;
FIG. 4 is a rear elevational view thereof;
FIG. 5 is a left side elevational view thereof;
FIG. 6 is a right side elevational view thereof;
FIG. 7 is a top plan view thereof; and,
FIG. 8 is a bottom plan view thereof.
The broken lines in the drawings depict portions of the desk that form no part of the claimed design.

1 Claim, 8 Drawing Sheets



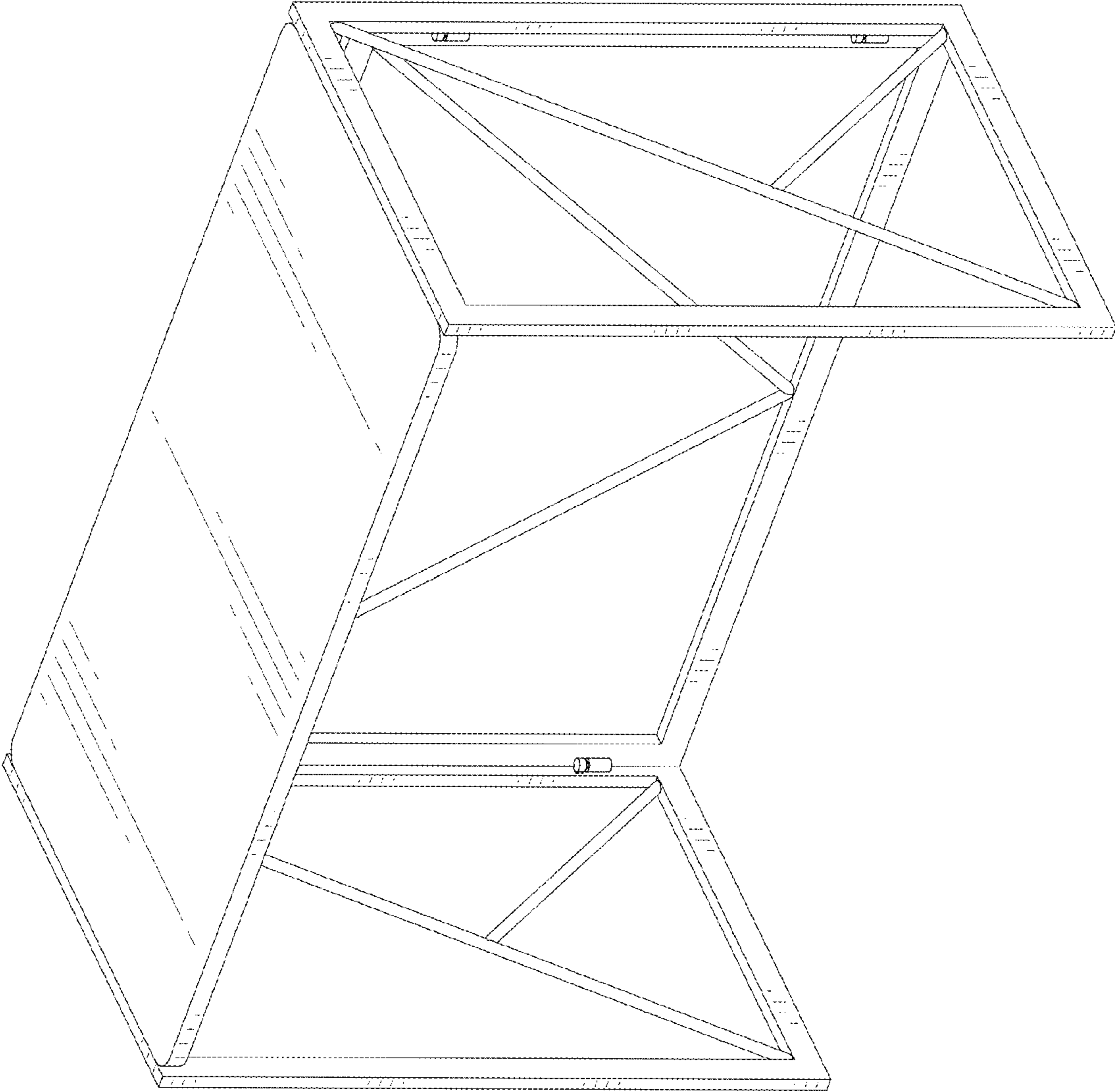


FIG. 1

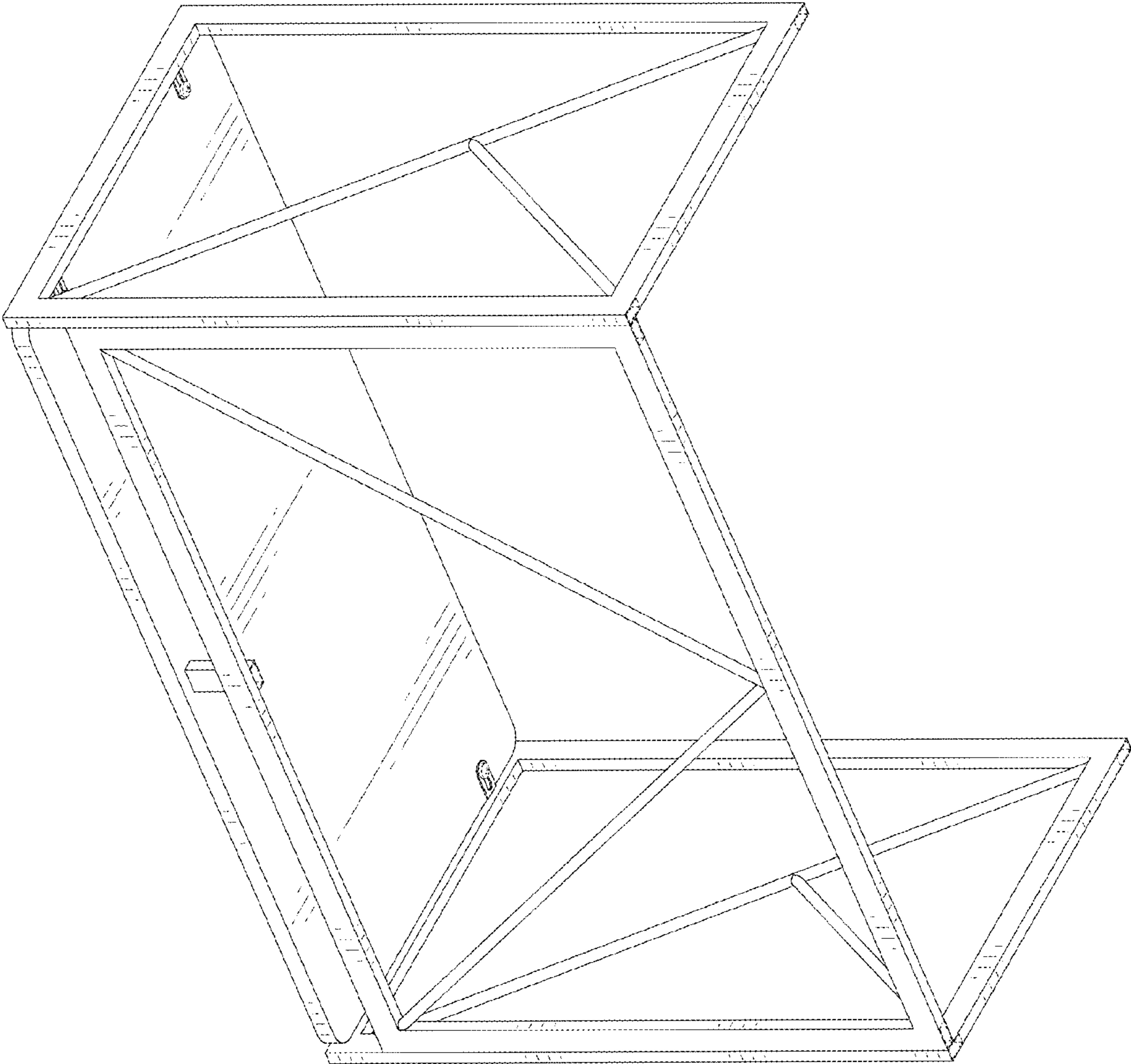


FIG. 2

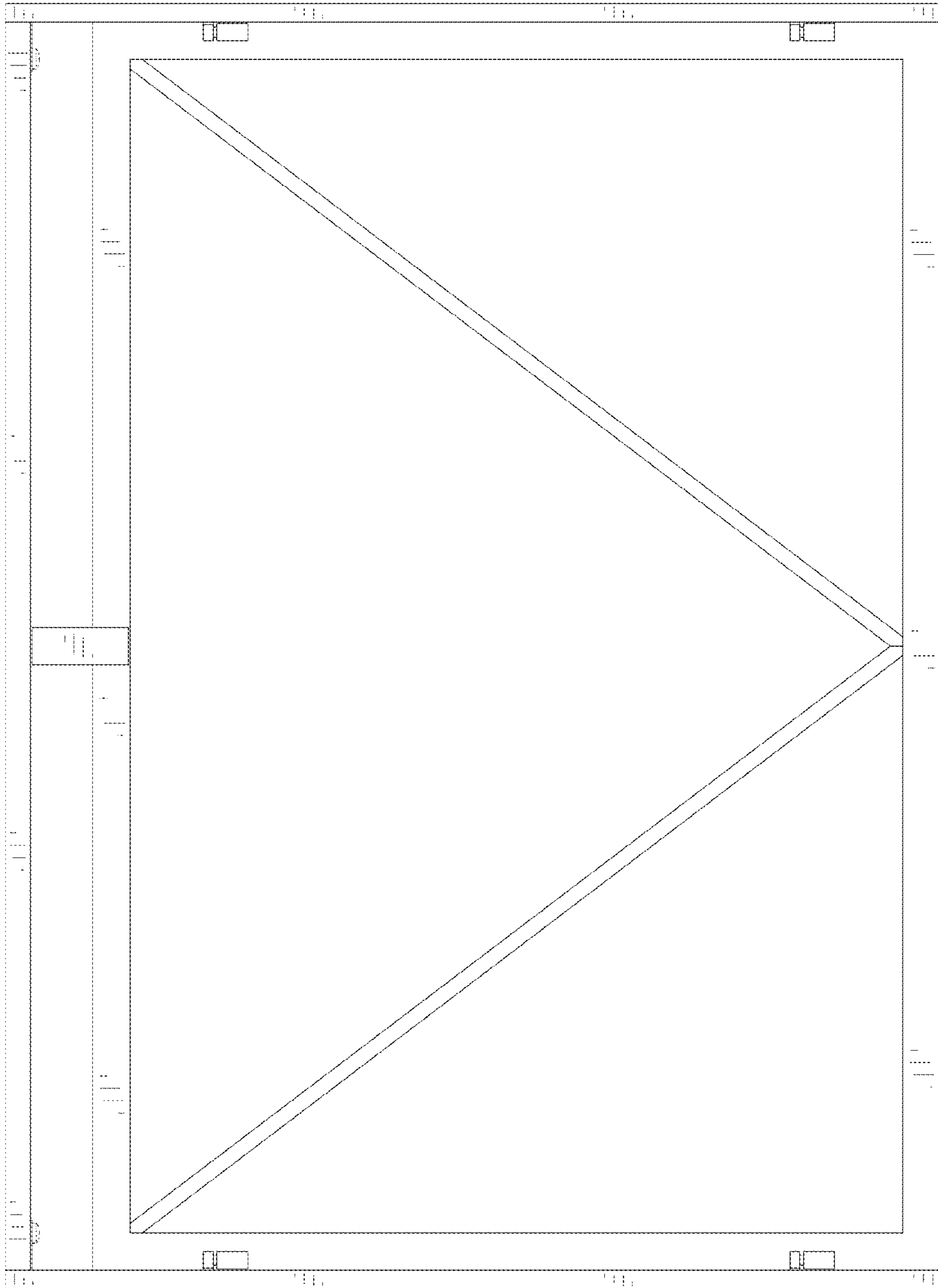


FIG. 3

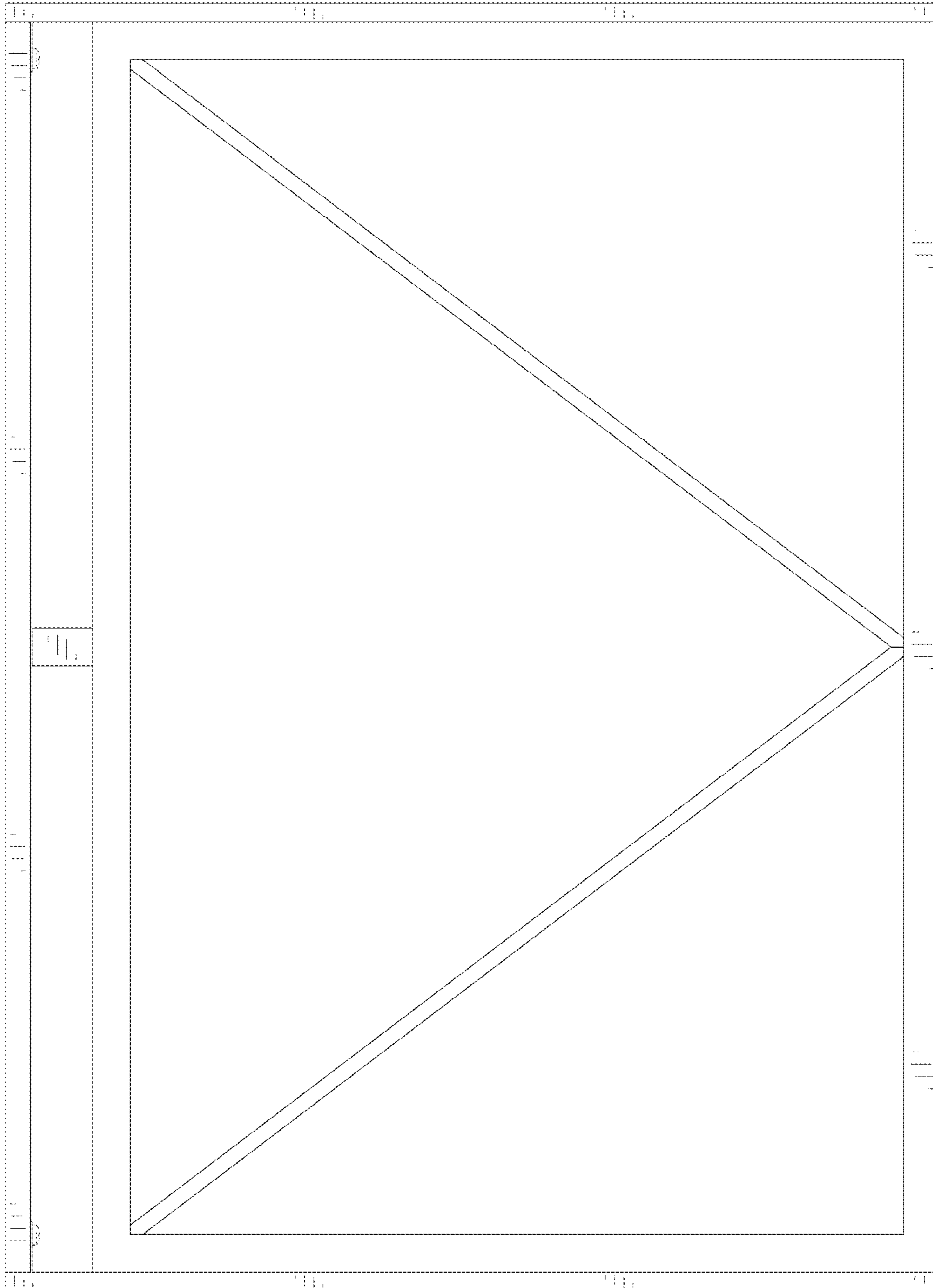


FIG. 4

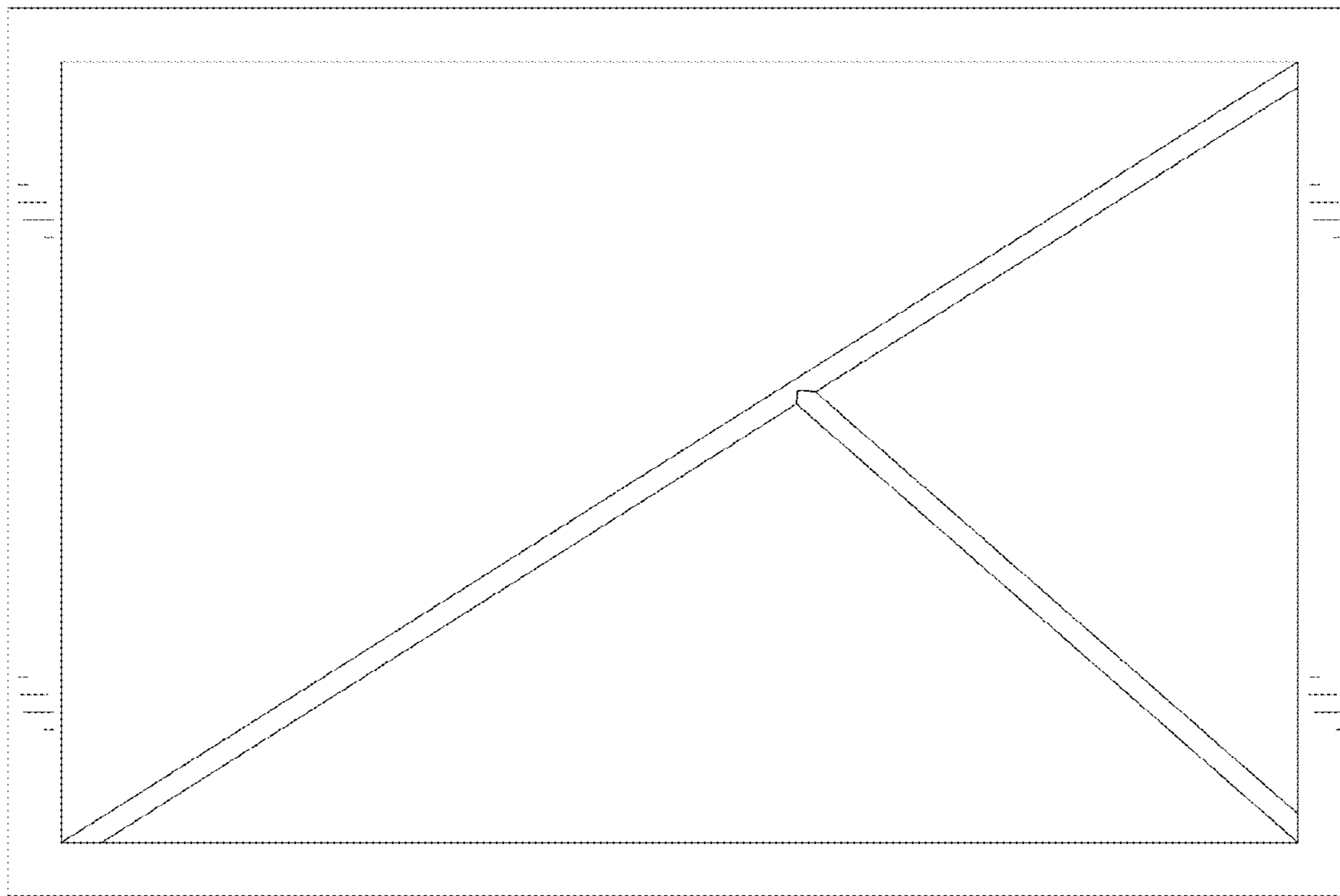


FIG. 5

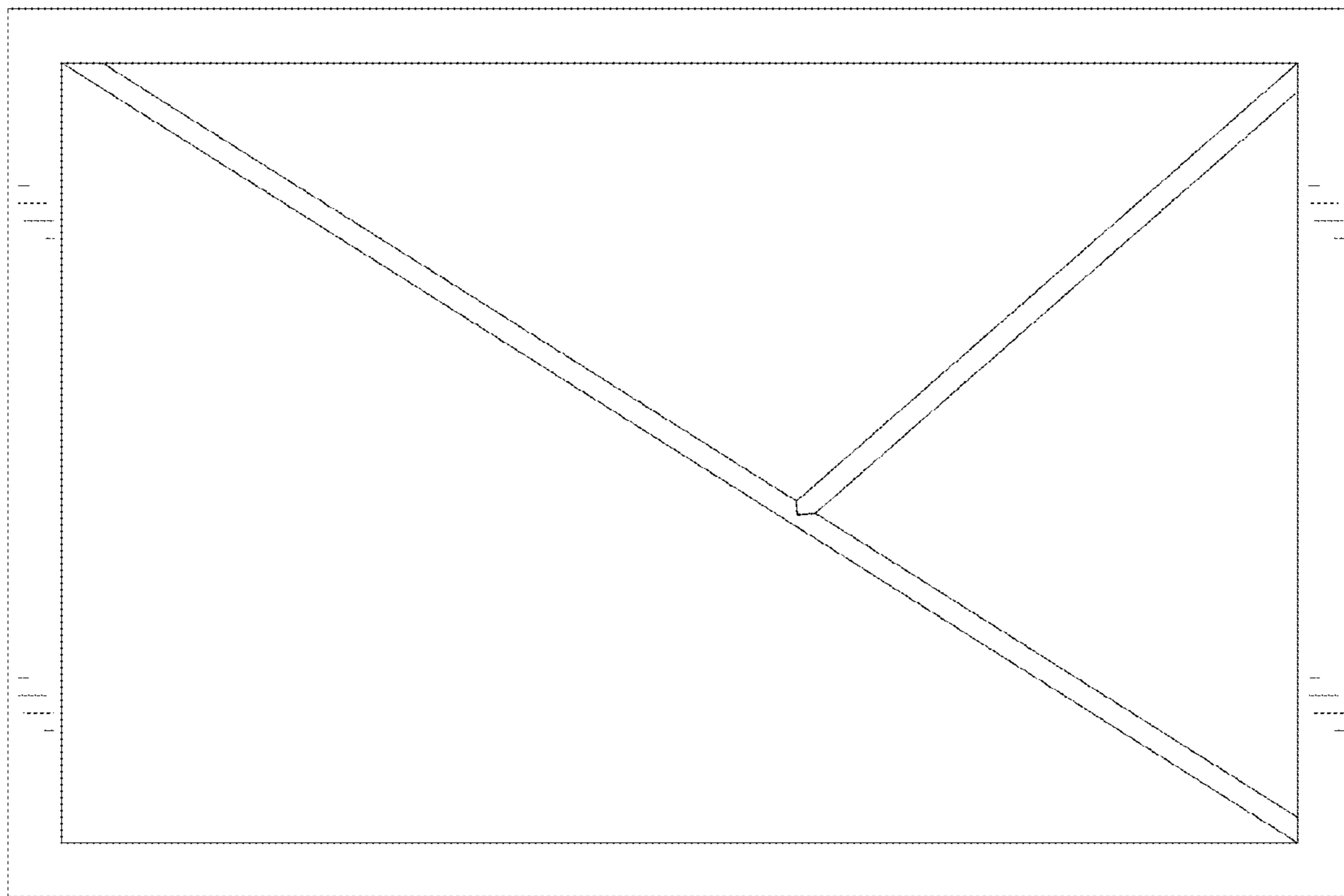


FIG. 6

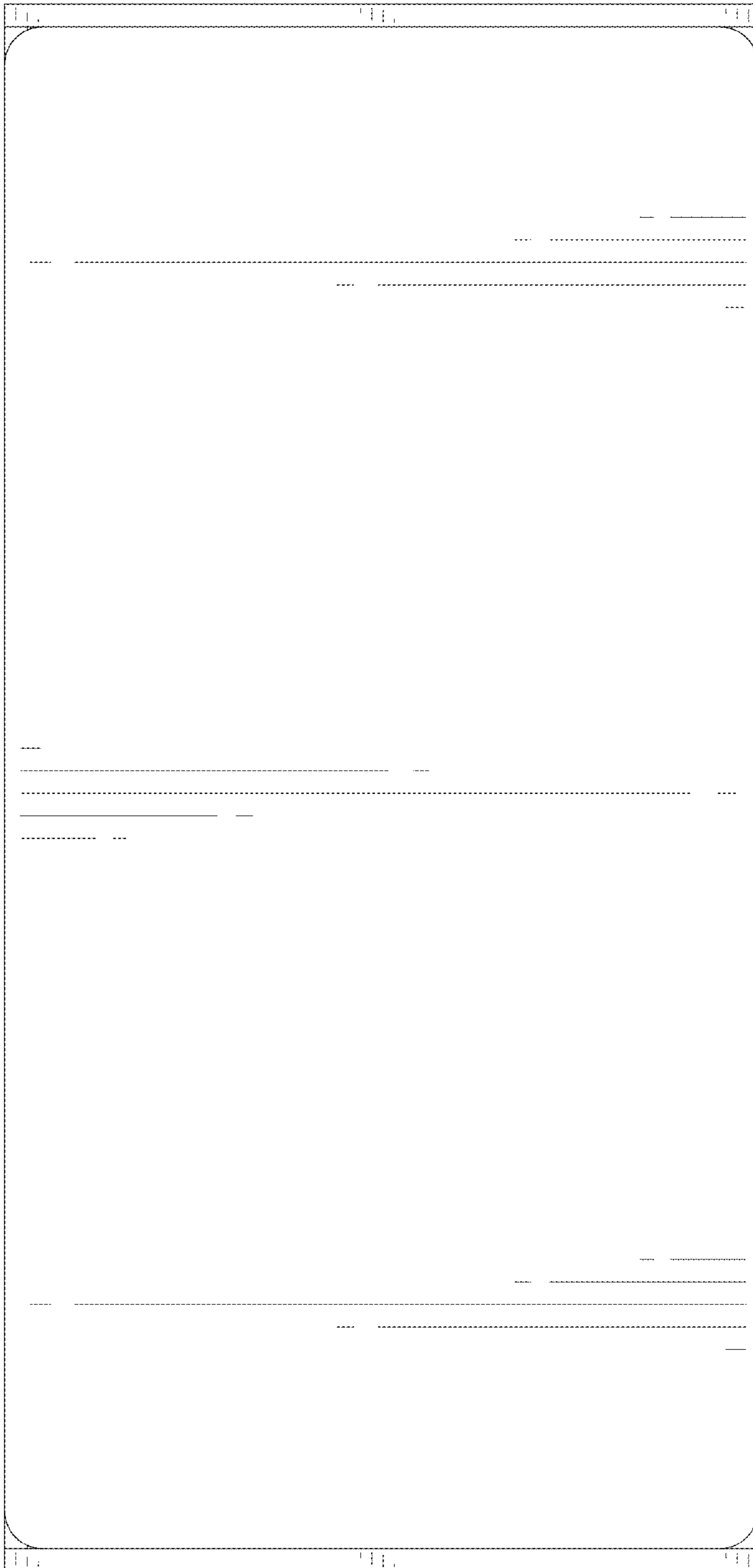


FIG. 7

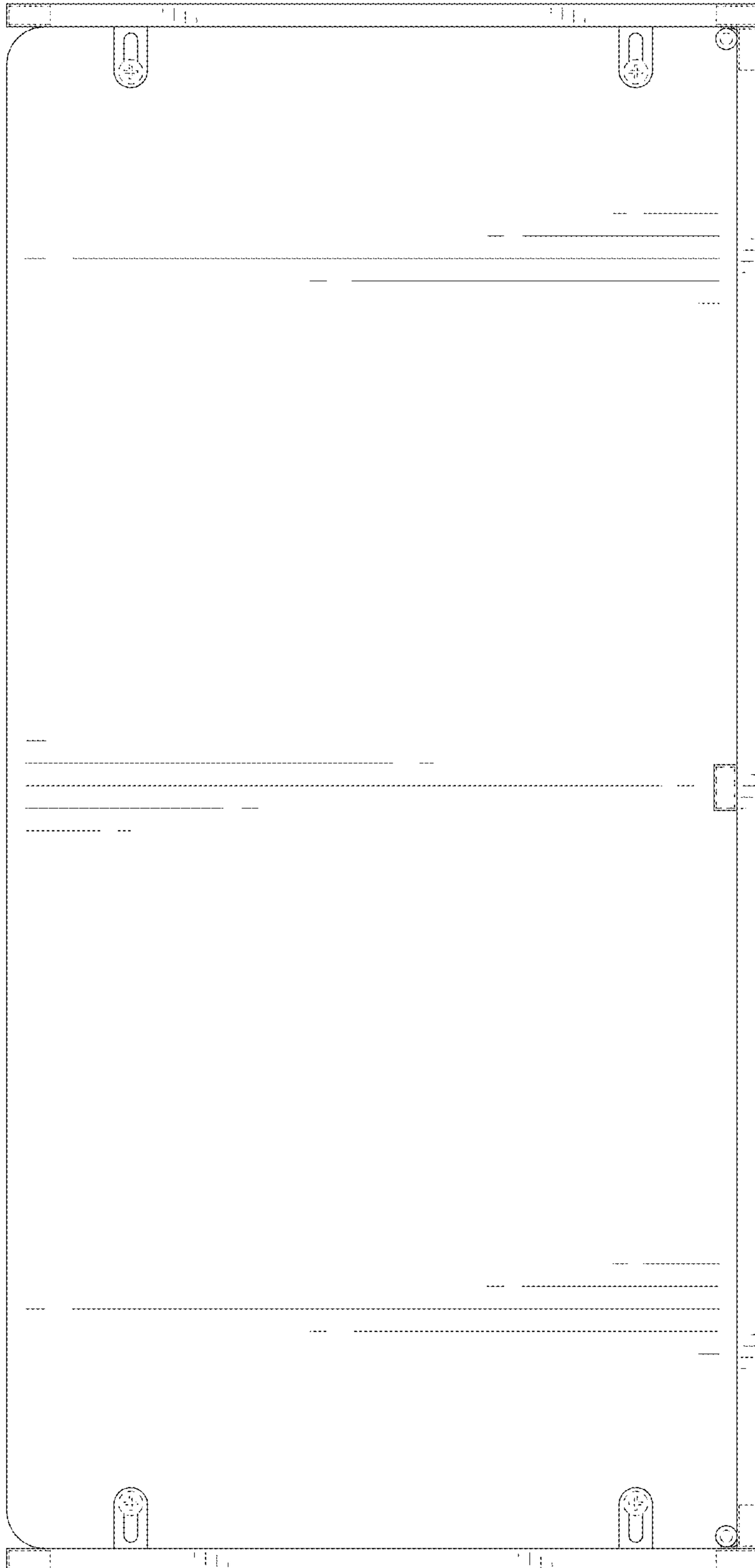


FIG. 8