



US00D928534S

(12) **United States Design Patent** (10) **Patent No.:** **US D928,534 S**
Kim (45) **Date of Patent:** **** Aug. 24, 2021**

(54) **NECK CUSHION FOR AUTOMOBILE**
(71) Applicant: **Jung Rul Kim**, Anyang-si (KR)
(72) Inventor: **Jung Rul Kim**, Anyang-si (KR)
(**) Term: **15 Years**

D686,025 S * 7/2013 Blazure D6/601
D781,074 S * 3/2017 Morris D6/601
10,076,189 B2 * 9/2018 MacDougall A47C 7/383
2013/0312192 A1 * 11/2013 Lee A47G 9/007
5/639
2014/0000034 A1 * 1/2014 Alexander A47G 9/1081
5/636

(Continued)

(21) Appl. No.: **29/728,466**
(22) Filed: **Mar. 18, 2020**

(30) **Foreign Application Priority Data**

Nov. 27, 2019 (KR) 30-2019-0056900

(51) **LOC (13) Cl.** **06-09**
(52) **U.S. Cl.**
USPC **D6/601**

(58) **Field of Classification Search**
USPC D6/582-583, 587-592, 595-609,
D6/617-622; D21/803-809; D24/183
CPC A47G 9/00; A47G 2009/001; A47G
2009/002; A47G 2009/003; A47G 9/10;
A47G 9/1009; A47G 2009/1018; A47G
9/1045; A47G 9/1081; A47G 9/109
See application file for complete search history.

(56) **References Cited**

U.S. PATENT DOCUMENTS

3,608,964 A * 9/1971 Earl A47C 7/383
297/397
D247,312 S * 2/1978 Zeiss D24/215
4,796,315 A * 1/1989 Crew A61F 5/028
5/630
5,566,682 A * 10/1996 Yavitz A47C 20/025
128/845
6,123,389 A * 9/2000 O'Connor A47C 7/383
297/397
D445,506 S * 7/2001 Vinson D24/183
7,490,909 B1 * 2/2009 Haggman B60N 2/2851
297/397
D590,648 S * 4/2009 Rahimian D6/601
7,628,456 B1 * 12/2009 Swartz A47C 7/383
297/393

OTHER PUBLICATIONS

Amazon.com car headrest neck pillow, first sold in Jul. 22, 2019
https://www.amazon.com/dp/B07VG85CZR/ref=sspa_dk_detail_6?psc=1&pd_rd_i=B07VG85CZR&pd_rd_w=8o3Cf&pf_rd_p=80360d1c-2d74-4d2e-%E2%80%A61/12.*

Primary Examiner — Jennifer L Rempfer
(74) *Attorney, Agent, or Firm* — Jake K. Lee

(57) **CLAIM**

The ornamental design for a neck cushion for automobile, as shown and described.

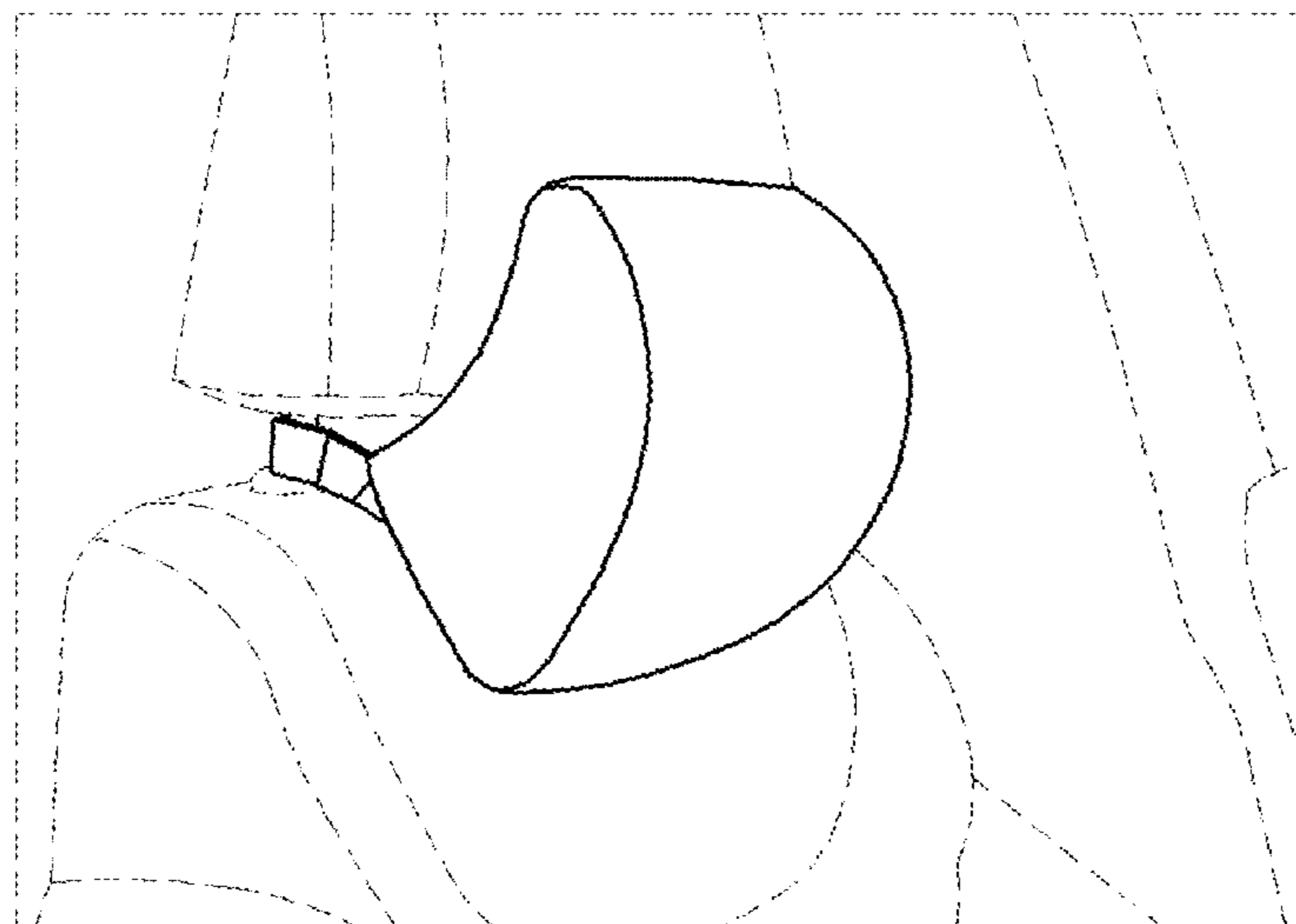
DESCRIPTION

FIG. 1 is a front, top, and right side perspective view of a neck cushion according to an embodiment of the present invention;

FIG. 2 is a front elevation view thereof;
FIG. 3 is a rear elevation view thereof;
FIG. 4 is a left side elevation view thereof;
FIG. 5 is a right side elevation view thereof;
FIG. 6 is a top plan view thereof;
FIG. 7 is a bottom plan view thereof; and,
FIG. 8 is a reference view illustrating a neck cushion of FIG. 1 connected to an automobile chair.

The design is of a neck cushion for an automobile intended for use as a neck cushion for an automobile. The broken lines used in the drawings are for the purpose of illustrating environmental structure and form no part of the claimed design.

1 Claim, 8 Drawing Sheets



(56)

References Cited

U.S. PATENT DOCUMENTS

2016/0007756 A1* 1/2016 Hauer A47C 7/383
5/644

* cited by examiner

FIG. 1

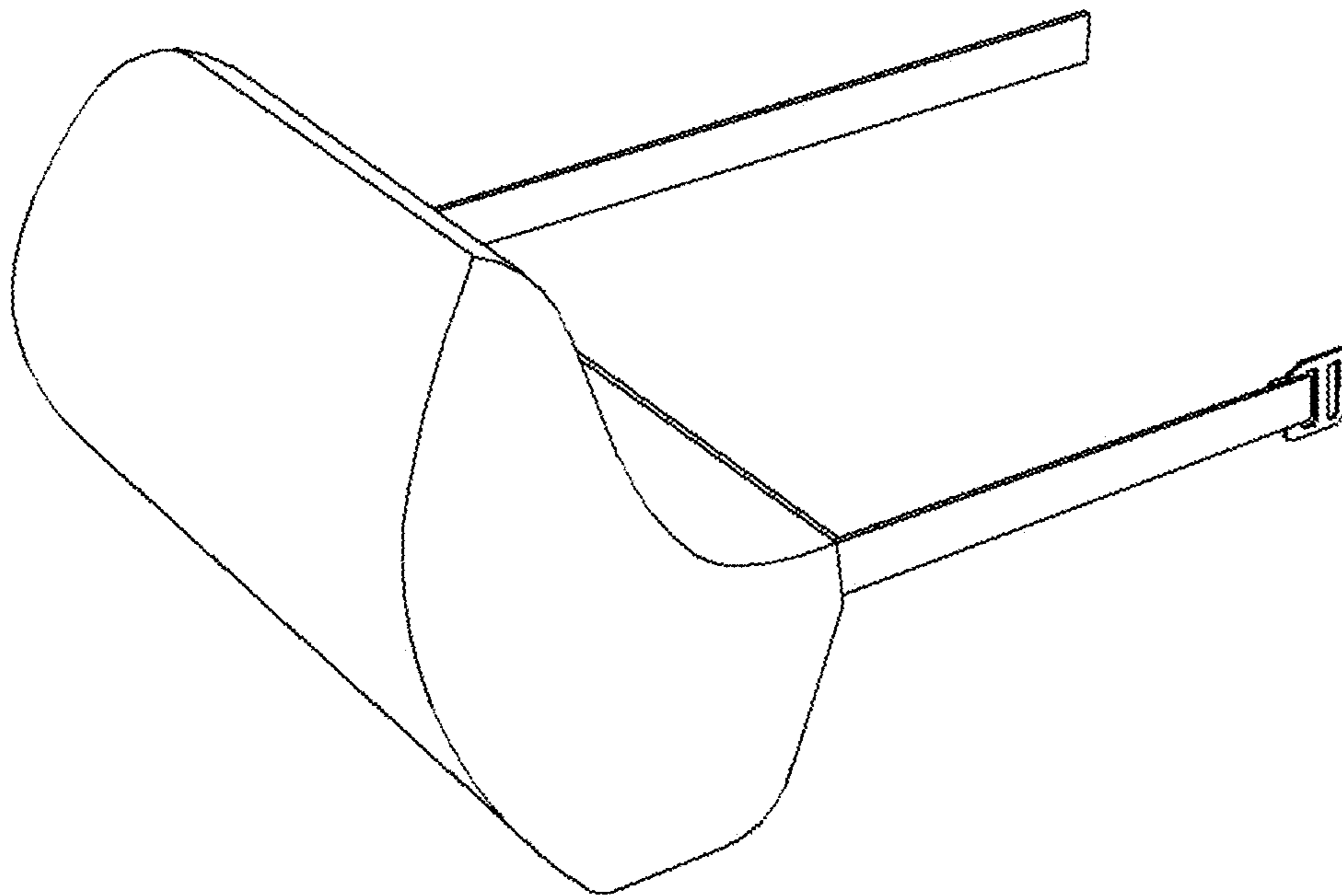


FIG. 2

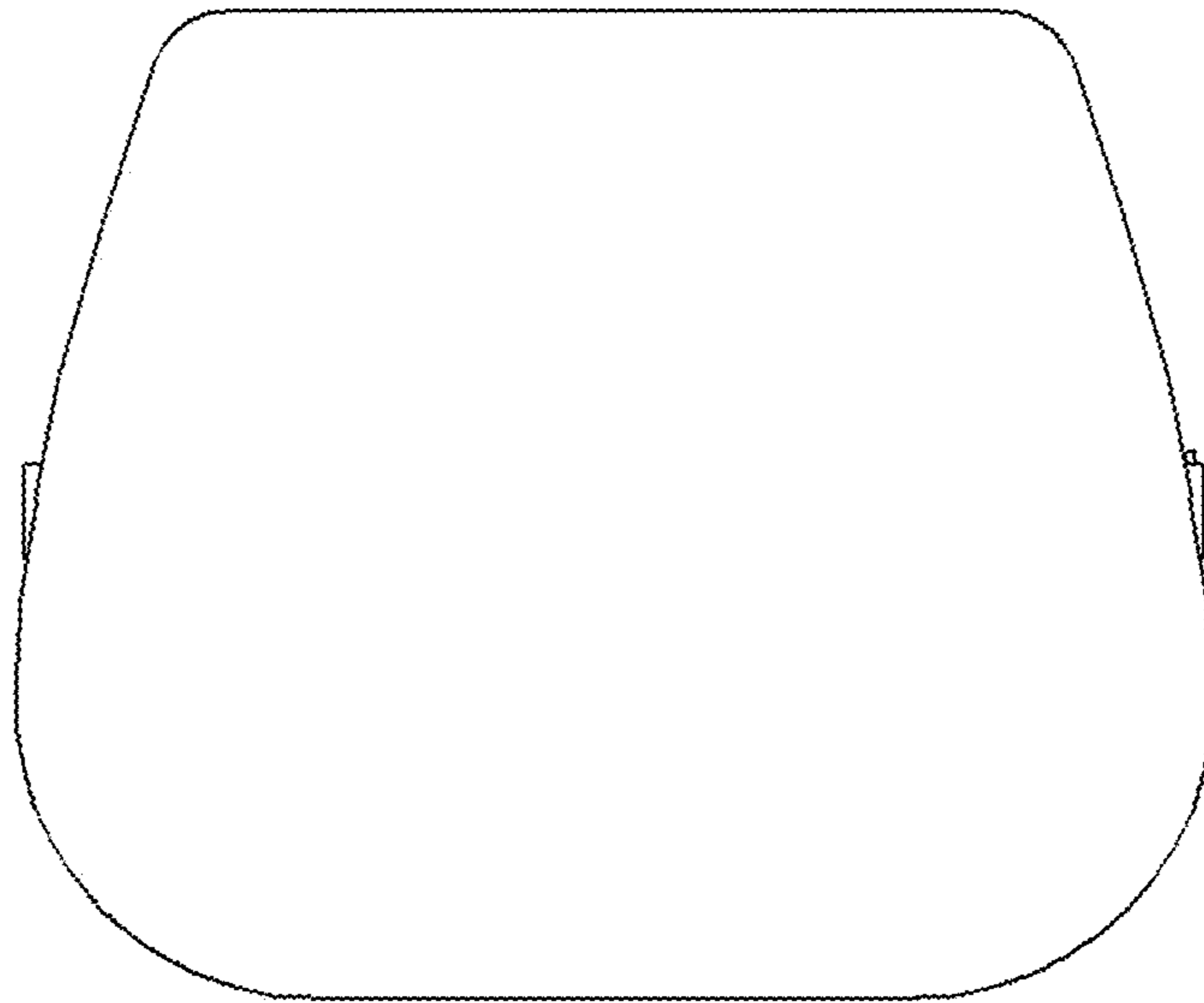


FIG. 3

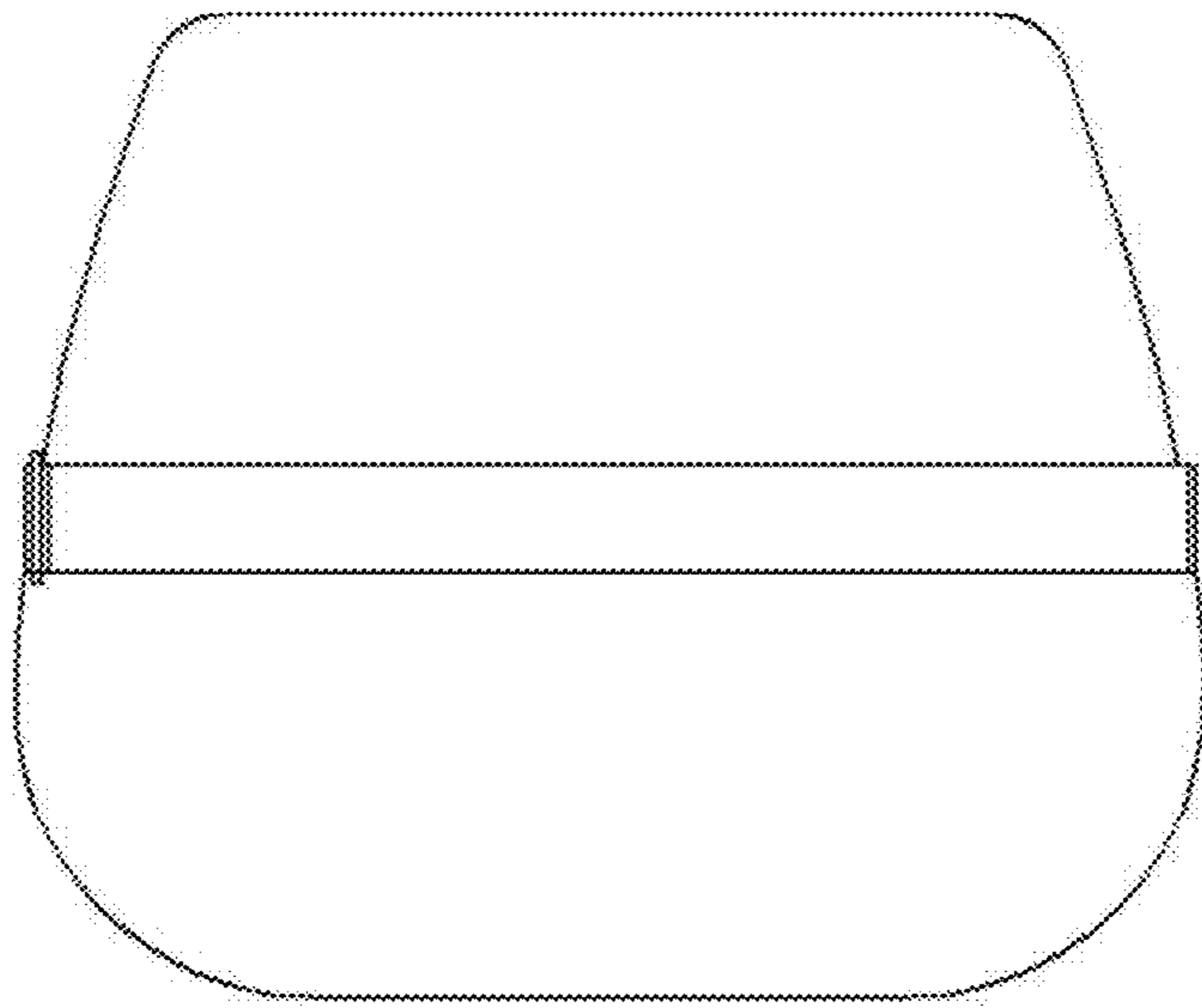


FIG. 4

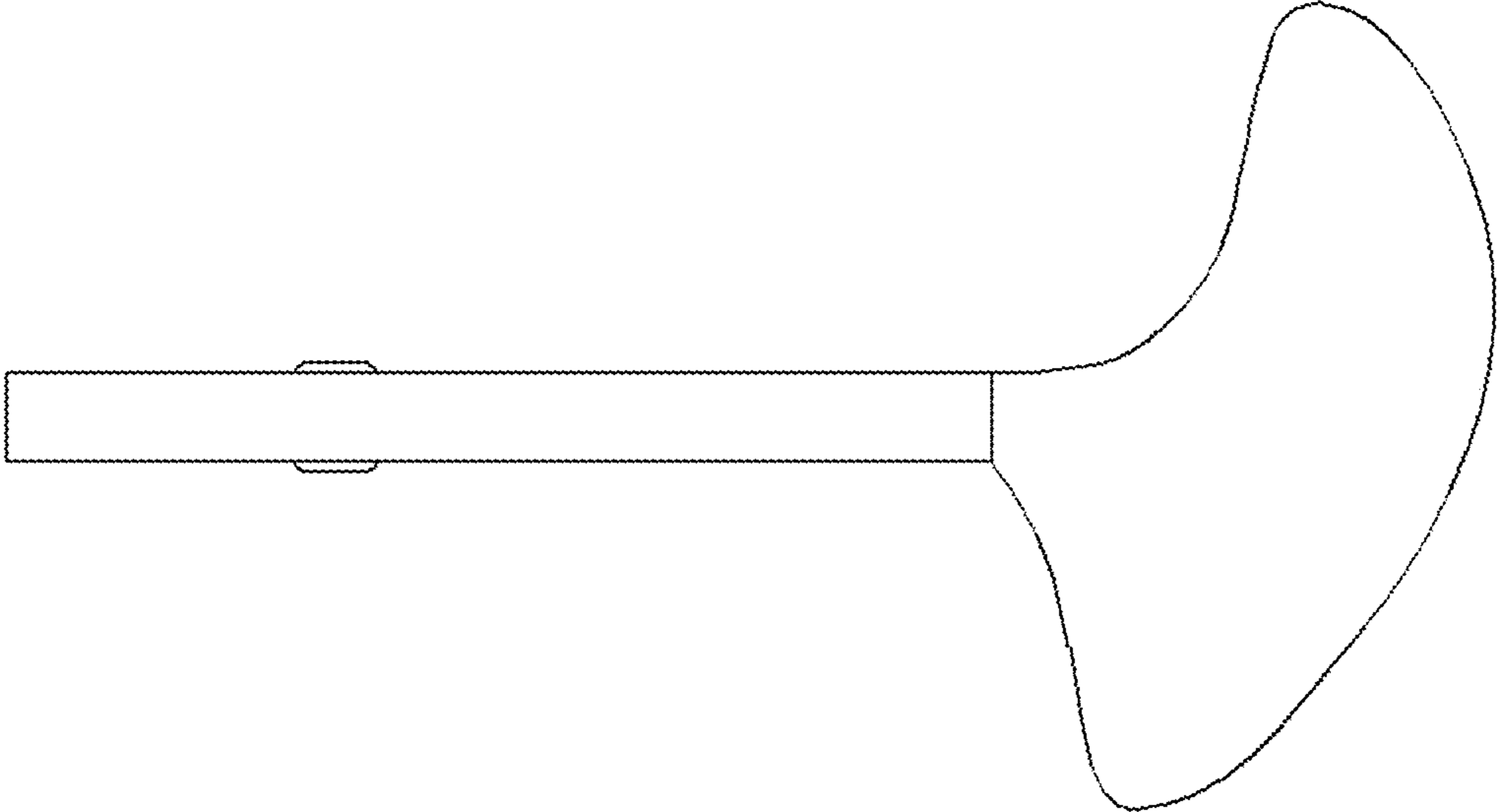


FIG. 5

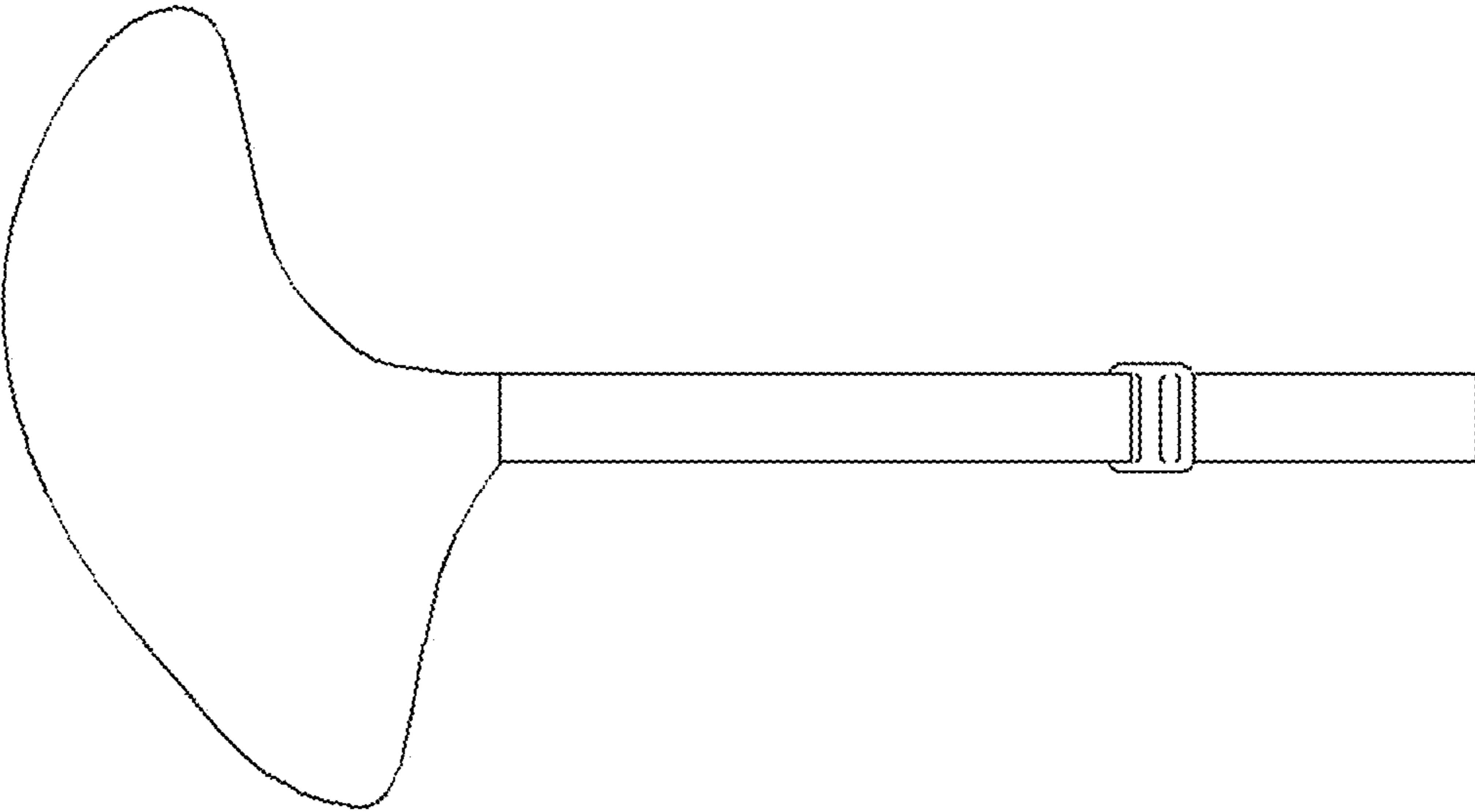


FIG. 6

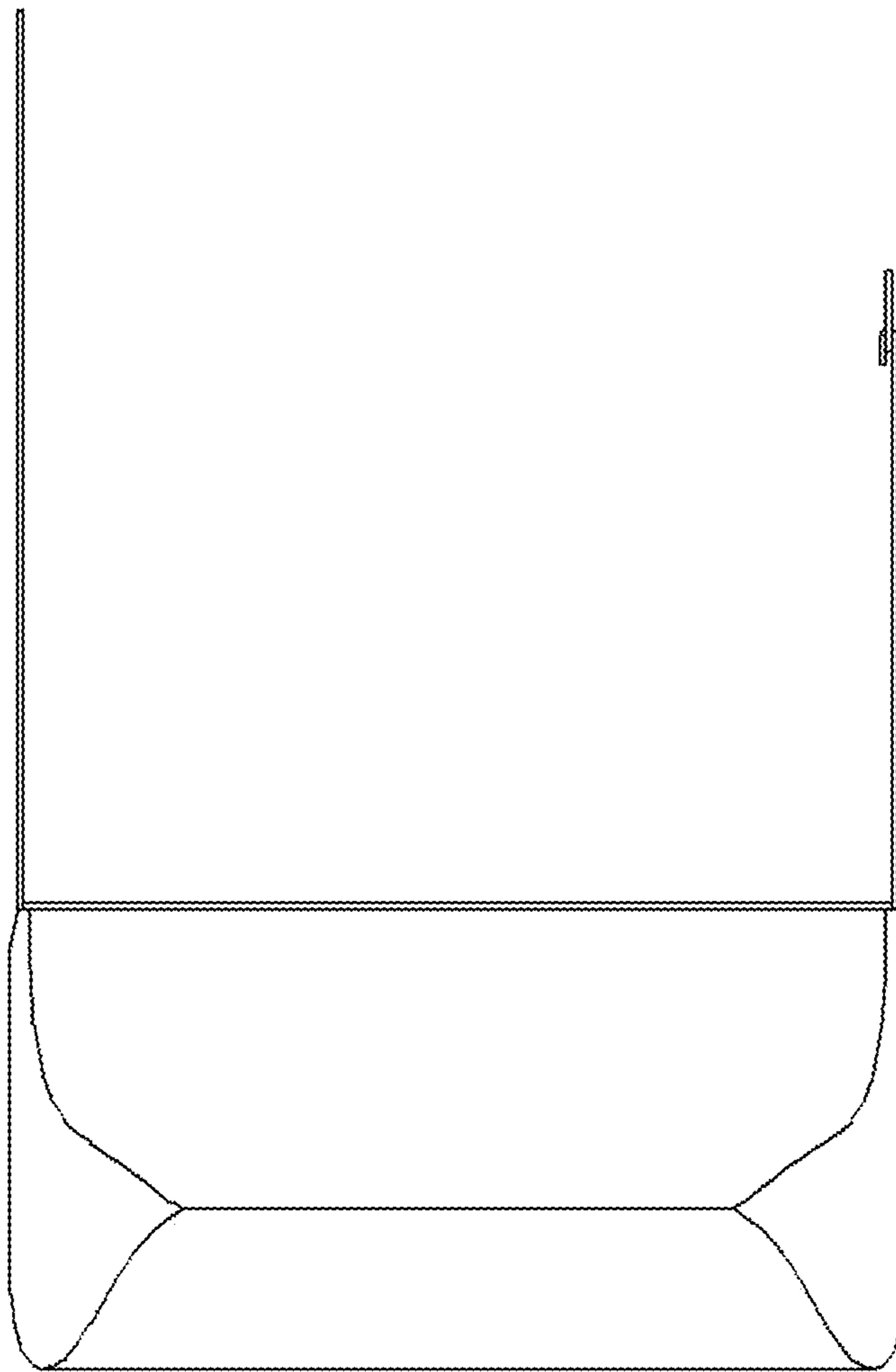


FIG. 7

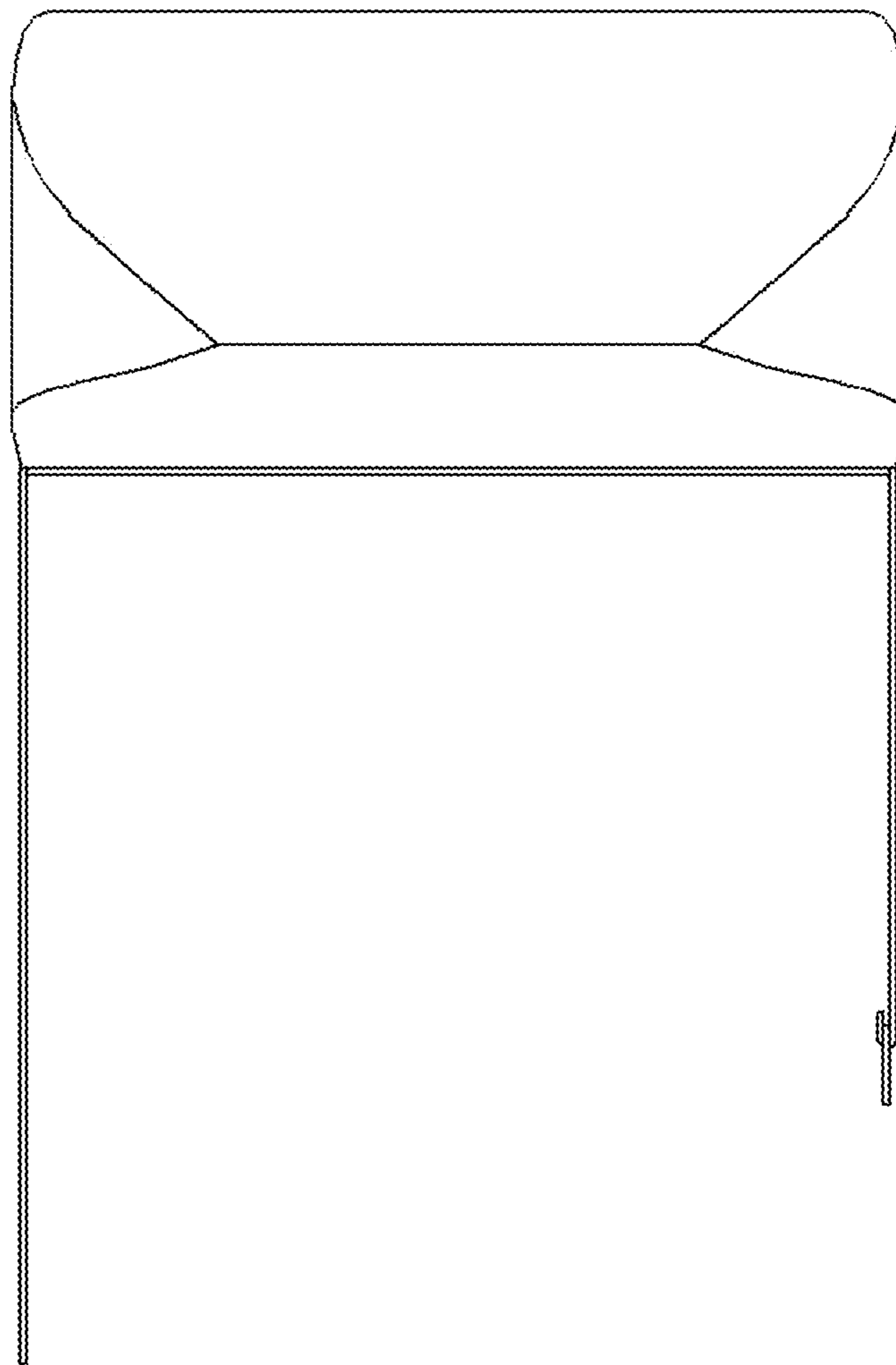


FIG. 8

