



US00D928532S

(12) **United States Design Patent**
Thrasher

(10) **Patent No.:** **US D928,532 S**

(45) **Date of Patent:** **** Aug. 24, 2021**

(54) **KNEELING STABILIZATION AND SUPPORT ROLL**

(71) Applicant: **Virginia Sue Thrasher**, Colorado Springs, CO (US)

(72) Inventor: **Virginia Sue Thrasher**, Colorado Springs, CO (US)

(**) Term: **15 Years**

(21) Appl. No.: **29/652,193**

(22) Filed: **Jun. 8, 2020**

(51) **LOC (13) Cl.** **06-09**

(52) **U.S. Cl.**
USPC **D6/601**

(58) **Field of Classification Search**

USPC D6/349, 375, 512, 595, 596, 601, 604, D6/611, 715, 716, 716.1; D21/803, 804, D21/805, 809; D24/183–185, 234
CPC A47G 9/10; A47G 9/1009; A47G 9/1018; A47G 9/1027; A47G 9/1036; A47G 9/1045; A47G 9/1063; A47G 9/1072; A47G 9/1081; A47G 9/109

See application file for complete search history.

(56) **References Cited**

U.S. PATENT DOCUMENTS

- 3,998,304 A * 12/1976 Edgerton, Jr. A45C 3/00 190/107
- 4,852,778 A * 8/1989 Beiser B62J 9/21 224/417
- 5,572,757 A * 11/1996 O’Sullivan A47C 7/46 297/284.5
- 10,426,242 B1 * 10/2019 Little A45F 4/02
- 10,426,279 B2 * 10/2019 Ibrahim A47G 9/10

- 2008/0120782 A1 * 5/2008 Chen A47G 9/1036 5/630
- 2012/0110733 A1 * 5/2012 Salvaggio A47C 20/021 5/421
- 2013/0119716 A1 * 5/2013 Stronconi B60N 2/882 297/180.1
- 2018/0263389 A1 * 9/2018 Lee A47G 9/1081
- 2020/0054155 A1 * 2/2020 Komatick A47G 9/1027
- 2020/0178709 A1 * 6/2020 Brown A47G 9/10

* cited by examiner

Primary Examiner — Jennifer L Rempfer

(74) *Attorney, Agent, or Firm* — Akers Gwinn; Robert Akers; Dusty Gwinn

(57) **CLAIM**

The ornamental design of kneeling stabilization and support roll, as shown and described.

DESCRIPTION

FIG. 1 is an isometric view from the front/left side of the kneeling stabilization and support roll.

FIG. 2 is a left-side view thereof.

FIG. 3 is a right-side view thereof.

FIG. 4 is a top view thereof.

FIG. 5 is a bottom view thereof.

FIG. 6 is a front view thereof.

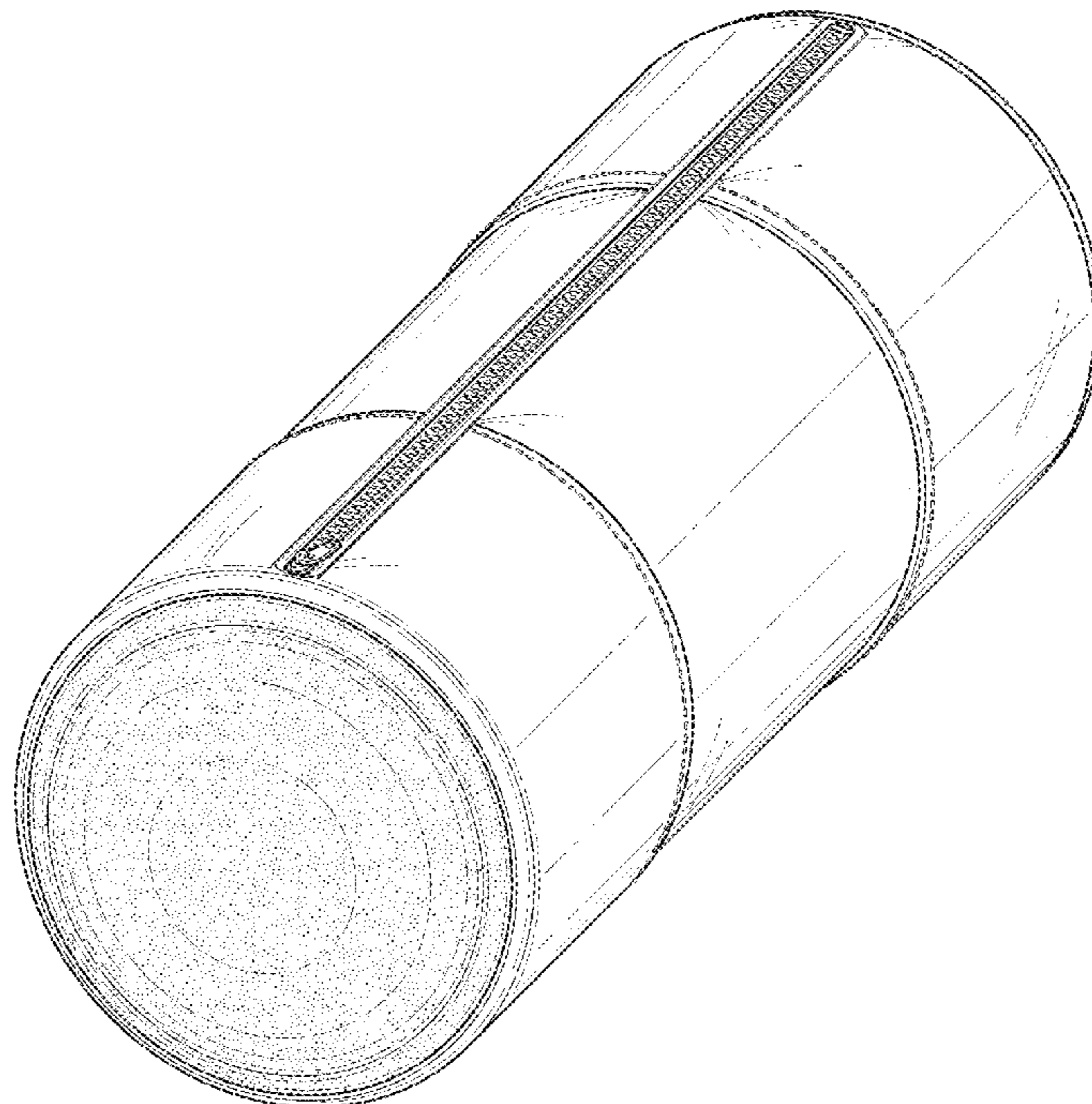
FIG. 7 is a back view thereof.

FIG. 8 is an isometric view from the front/left side thereof depicted in use; and,

FIG. 9 is an isometric and exploded and open view from the front/left side thereof.

The broken lines represent environmental features of the support roll that form no part of the claim. The dash-dot lead lines of the exploded view form no part of the claim.

1 Claim, 6 Drawing Sheets



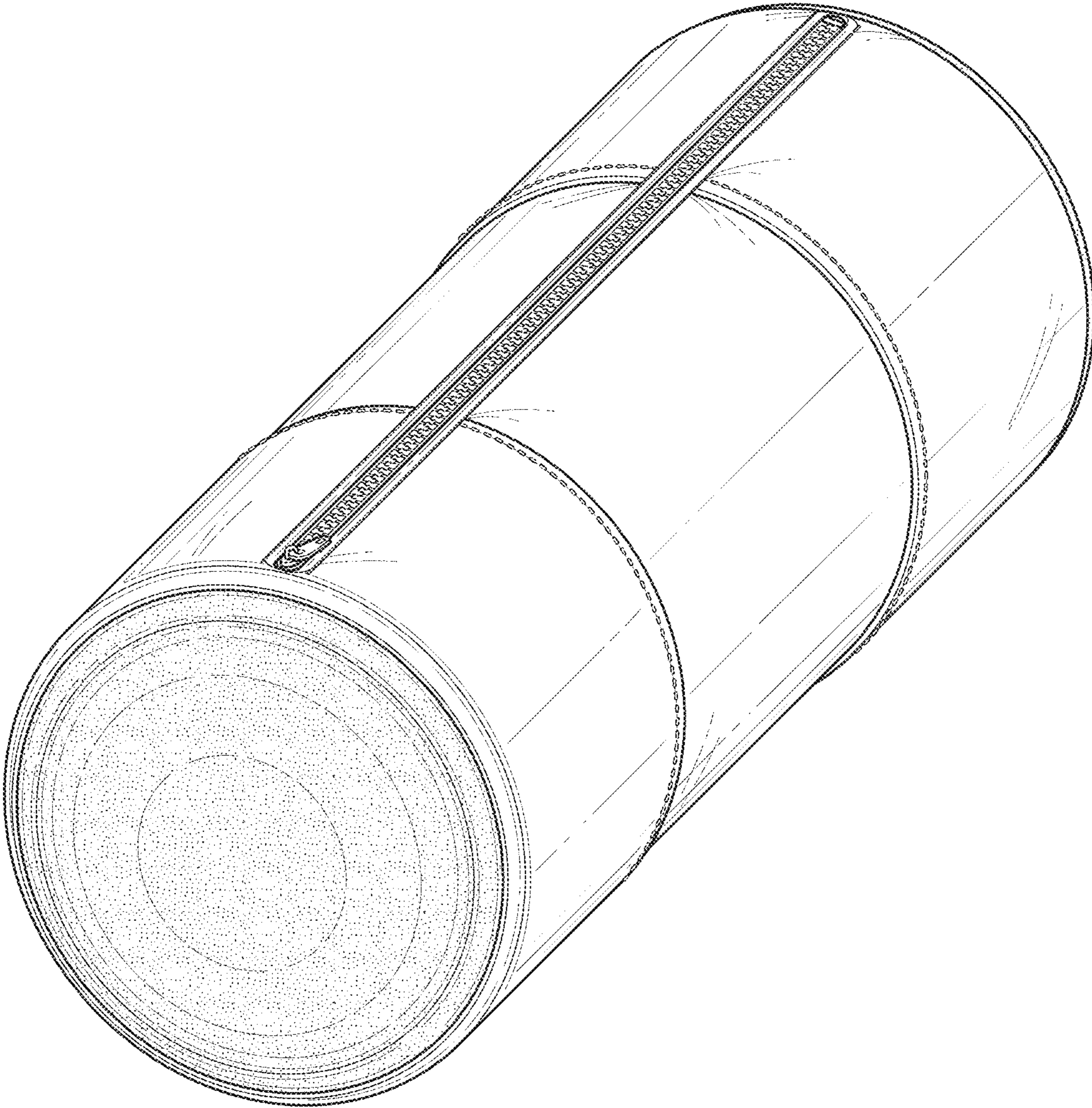


FIG. 1

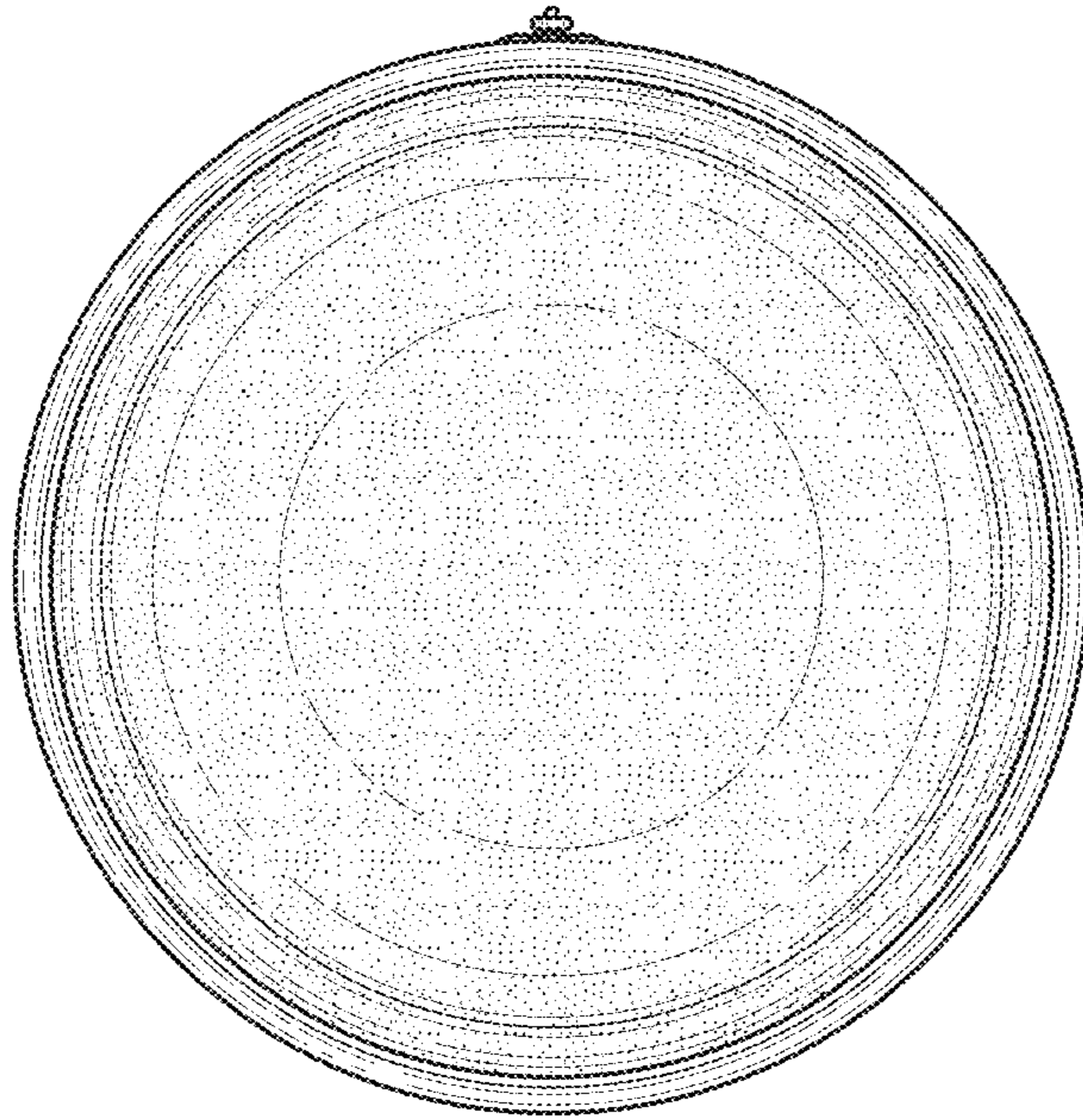


FIG. 2

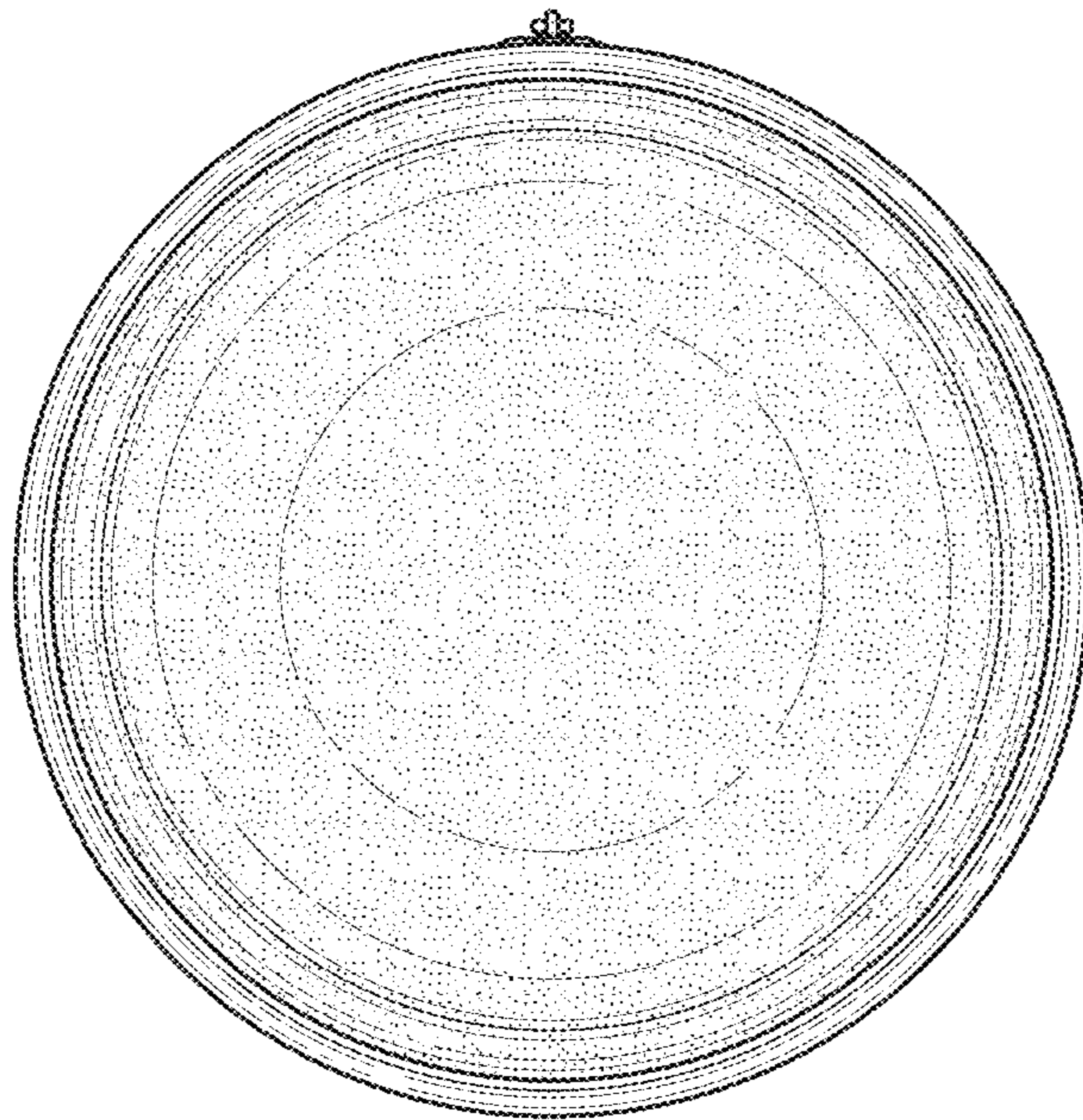


FIG. 3

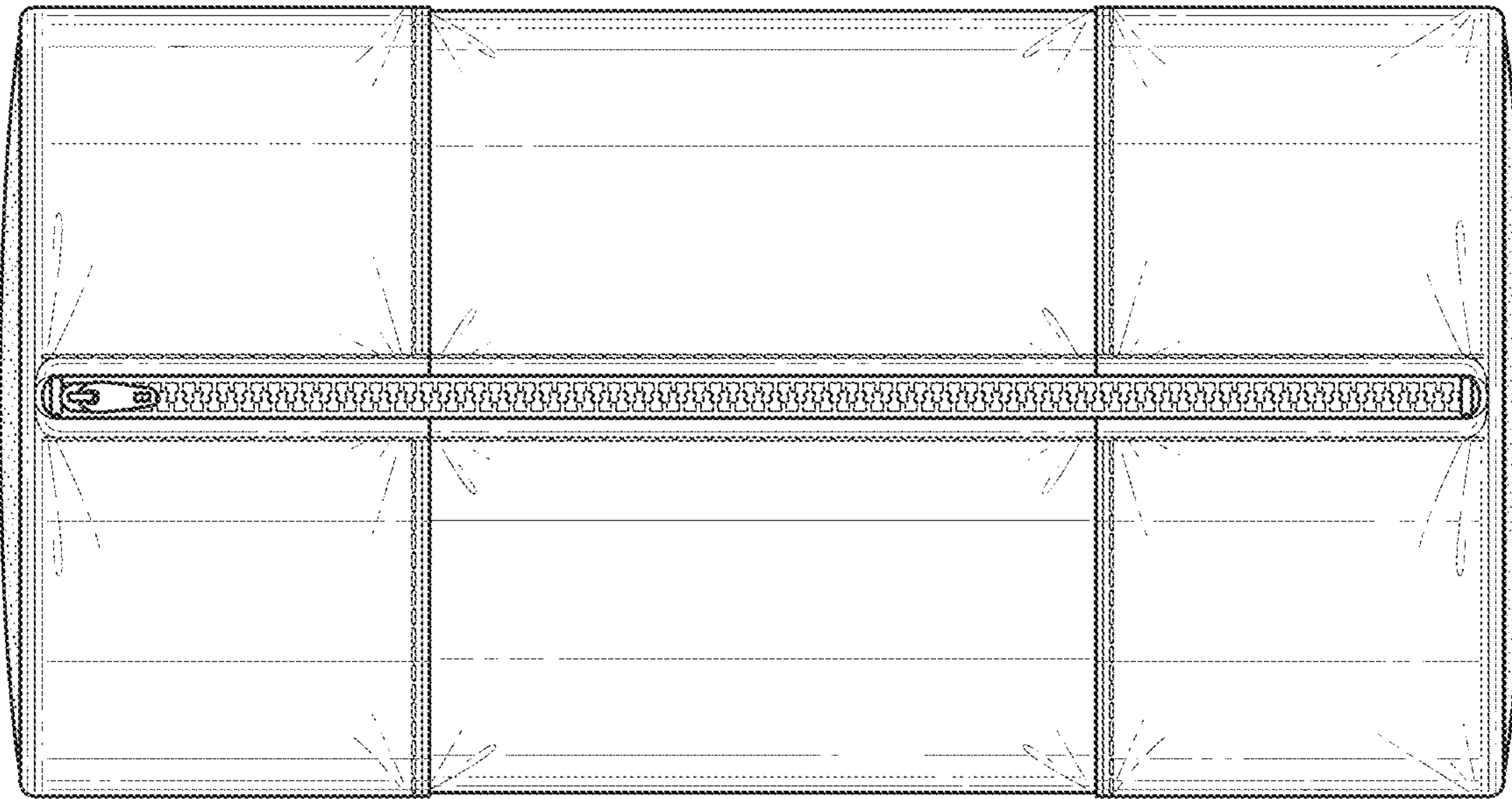


FIG. 4

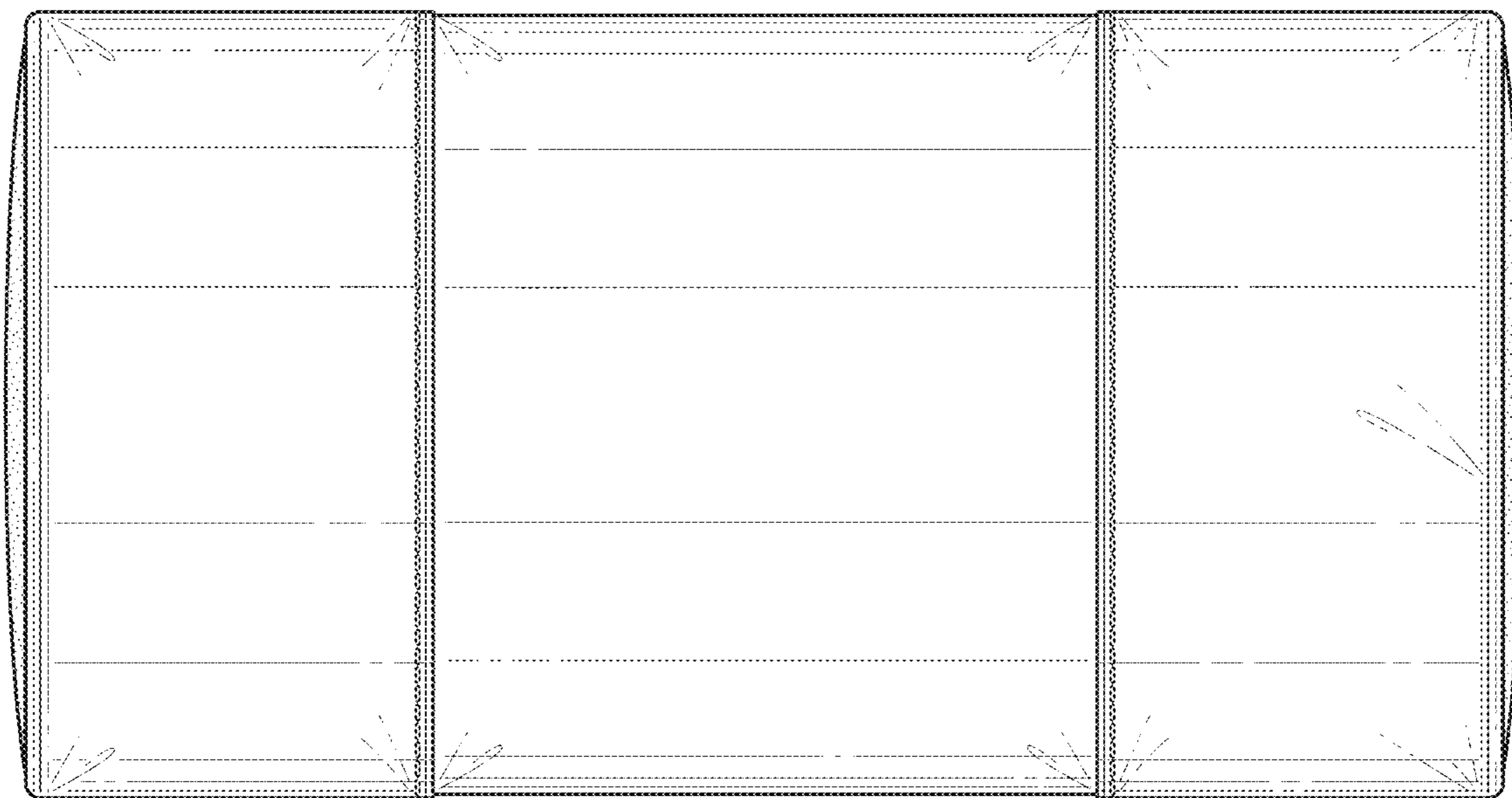


FIG. 5

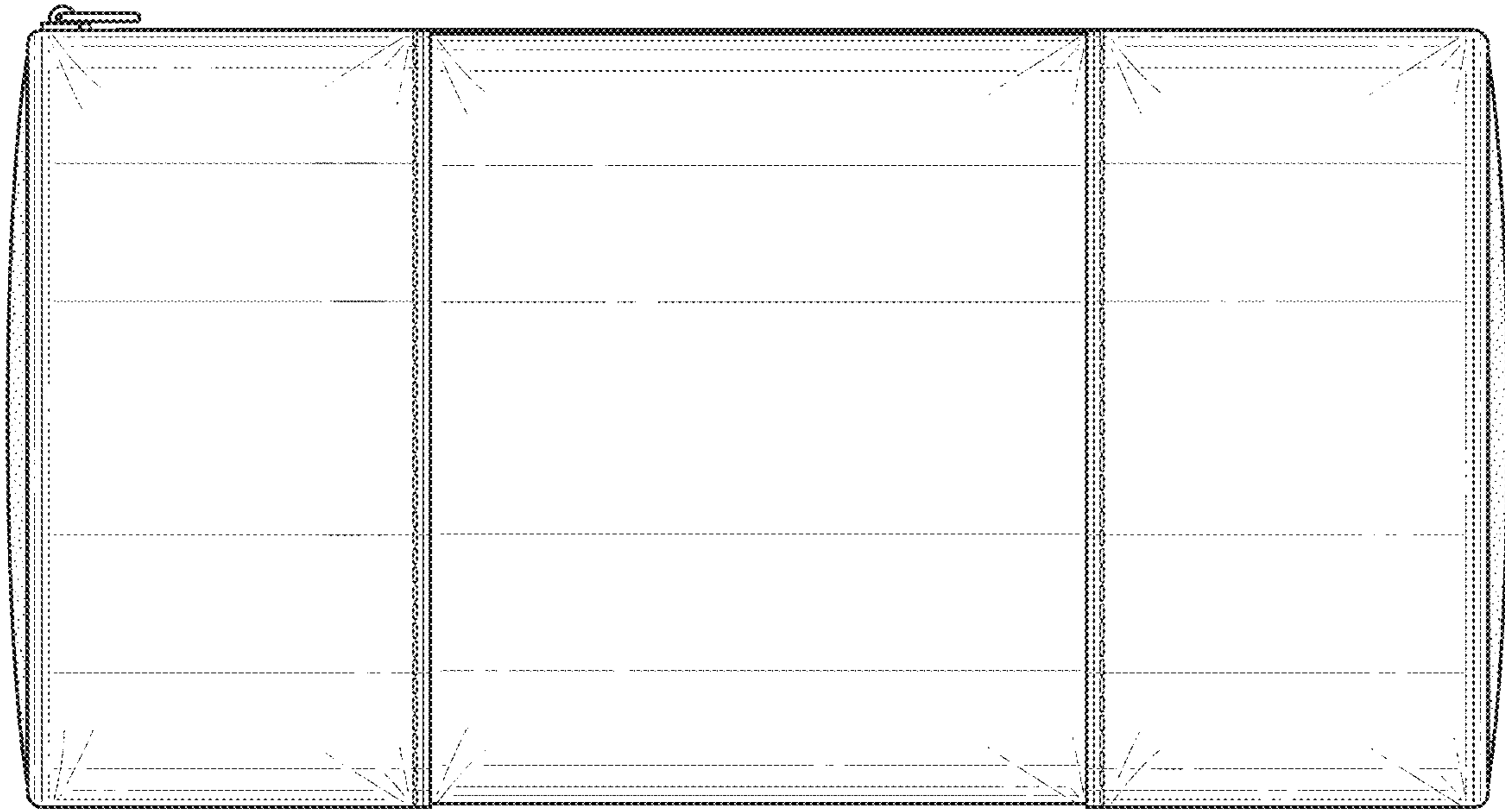


FIG. 6

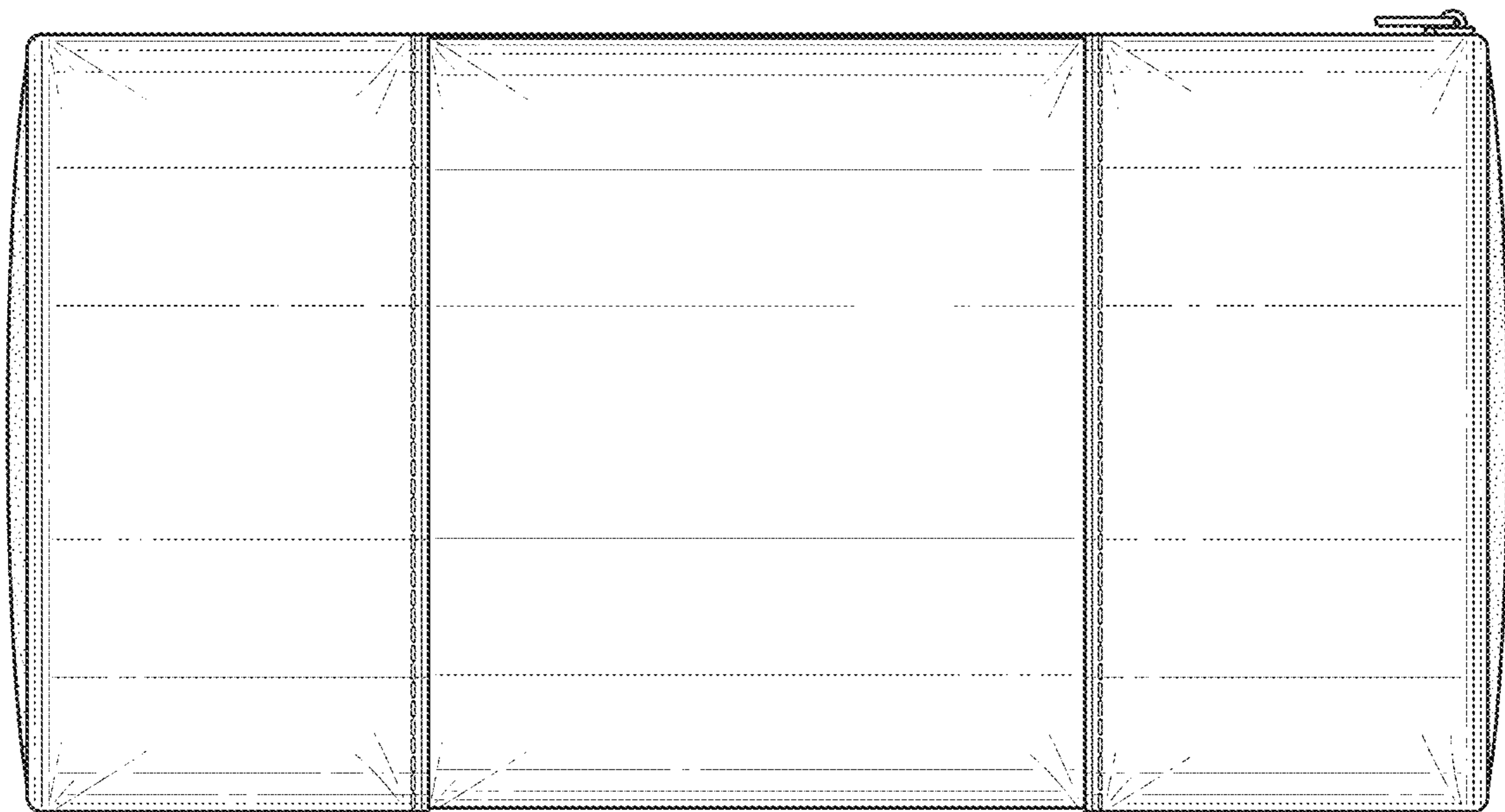


FIG. 7

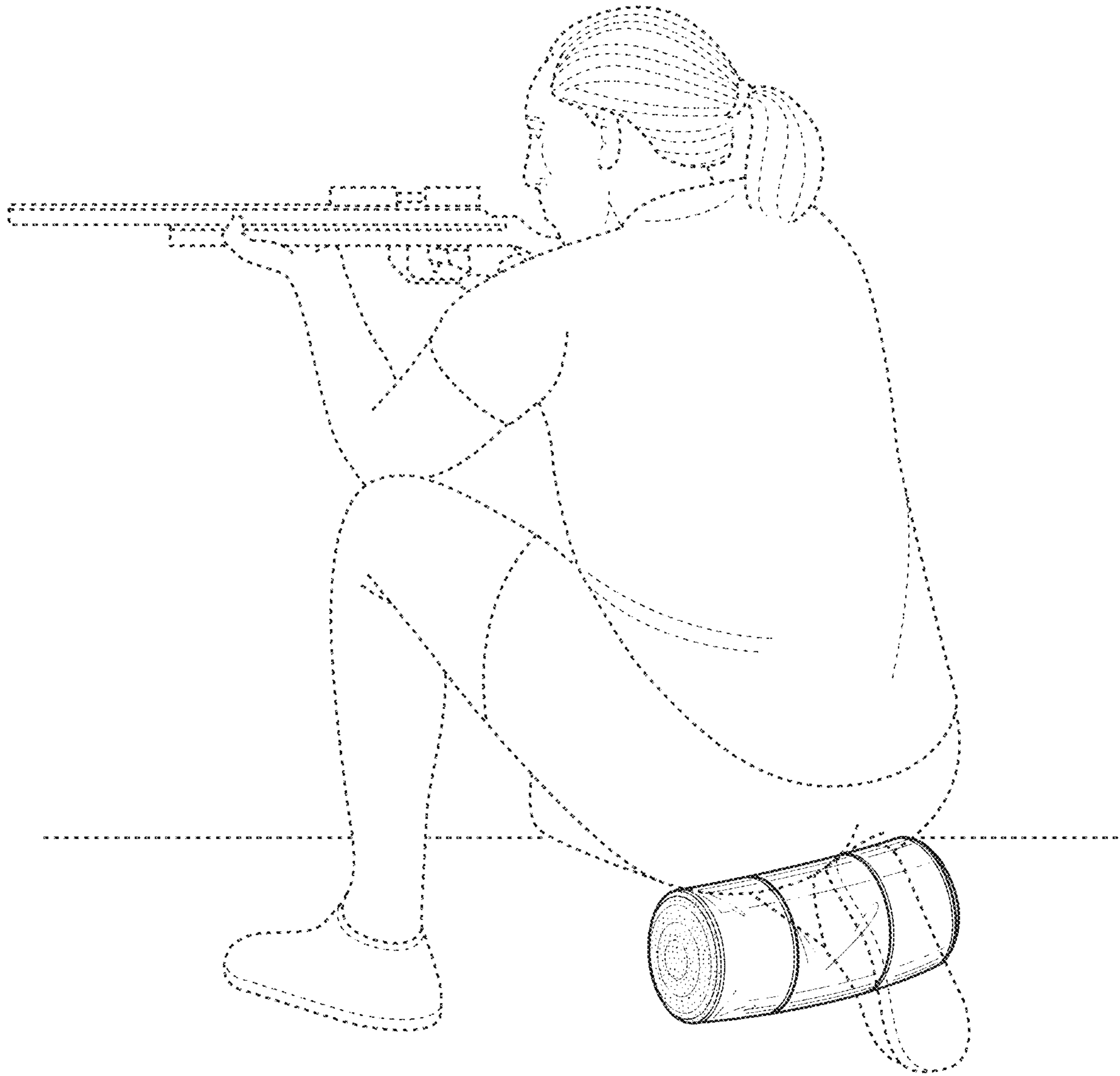


FIG. 8

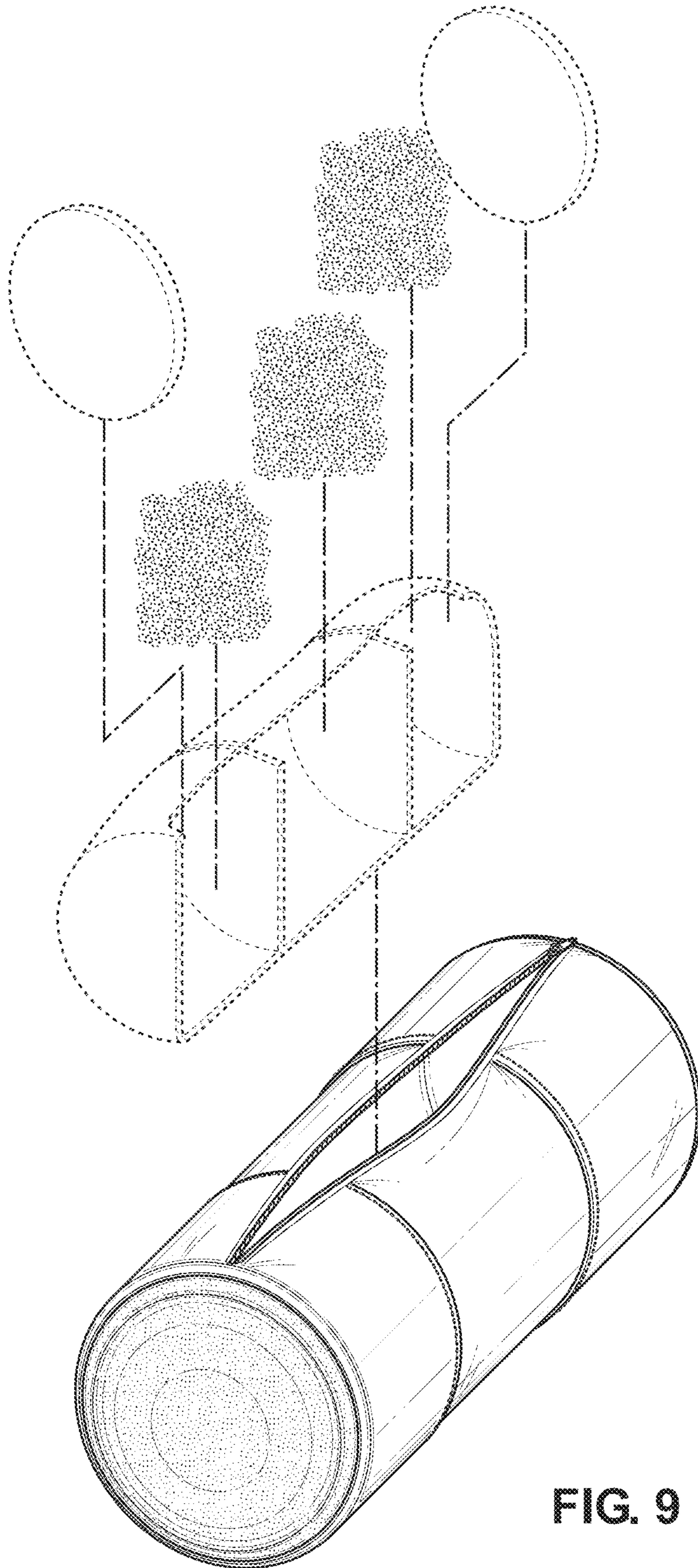


FIG. 9