

US00D928530S

(12) **United States Design Patent** (10) **Patent No.:** **US D928,530 S**  
**Maxcy** (45) **Date of Patent:** **\*\* Aug. 24, 2021**

(54) **OPERATING ROOM FLOOR MAT**

(71) Applicant: **Colleen S. Maxcy**, Tampa, FL (US)

(72) Inventor: **Colleen S. Maxcy**, Tampa, FL (US)

(\*\*) Term: **15 Years**

(21) Appl. No.: **29/691,863**

(22) Filed: **May 20, 2019**

(51) **LOC (13) Cl.** ..... **06-11**

(52) **U.S. Cl.**  
USPC ..... **D6/582**; D6/588

(58) **Field of Classification Search**  
USPC ..... D6/331, 582, 583, 585-589, 591, 592;  
D8/394; D12/203, 608; D19/9, 10, 37,  
(Continued)

(56) **References Cited**

U.S. PATENT DOCUMENTS

227,115 A \* 5/1880 Lawrence ..... A47L 23/266  
15/217  
249,317 A \* 11/1881 De Young ..... A47L 23/266  
15/217

(Continued)

*Primary Examiner* — Kevin K Rudzinski

*Assistant Examiner* — Clare Ann Gannon

(74) *Attorney, Agent, or Firm* — Evan Law Group LLC

(57) **CLAIM**

The ornamental design for an operating room floor mat, as shown and described.

**DESCRIPTION**

FIG. 1 is a front, top, and side perspective view of a first embodiment of an operating room floor mat, showing my design;

FIG. 2 is a top plan view thereof;

FIG. 3 is a bottom plan view thereof;

FIG. 4 is a front elevational view thereof; the opposite side being a mirror image; and

FIG. 5 is a side elevational view thereof, the opposite side being a mirror image.

FIG. 6 is a front, top, and side perspective view of a second embodiment of an operating room floor mat, showing my design;

FIG. 7 is a top plan view thereof;

FIG. 8 is a bottom plan view thereof;

FIG. 9 is a front elevational view thereof; the opposite side being a mirror image; and

FIG. 10 is a side elevational view thereof, the opposite side being a mirror image.

FIG. 11 is a front, top, and side perspective view of a third embodiment of an operating room floor mat, showing my design;

FIG. 12 is a top plan view thereof;

FIG. 13 is a bottom plan view thereof;

FIG. 14 is a front elevational view thereof; the opposite side being a mirror image; and

FIG. 15 is a side elevational view thereof, the opposite side being a mirror image.

FIG. 16 is a front, top, and side perspective view of a fourth embodiment of an operating room floor mat, showing my design;

FIG. 17 is a top plan view thereof;

FIG. 18 is a bottom plan view thereof;

FIG. 19 is a front elevational view thereof; the opposite side being a mirror image; and

FIG. 20 is a side elevational view thereof, the opposite side being a mirror image.

FIG. 21 is a front, top, and side perspective view of a fifth embodiment of an operating room floor mat, showing my design;

FIG. 22 is a top plan view thereof;

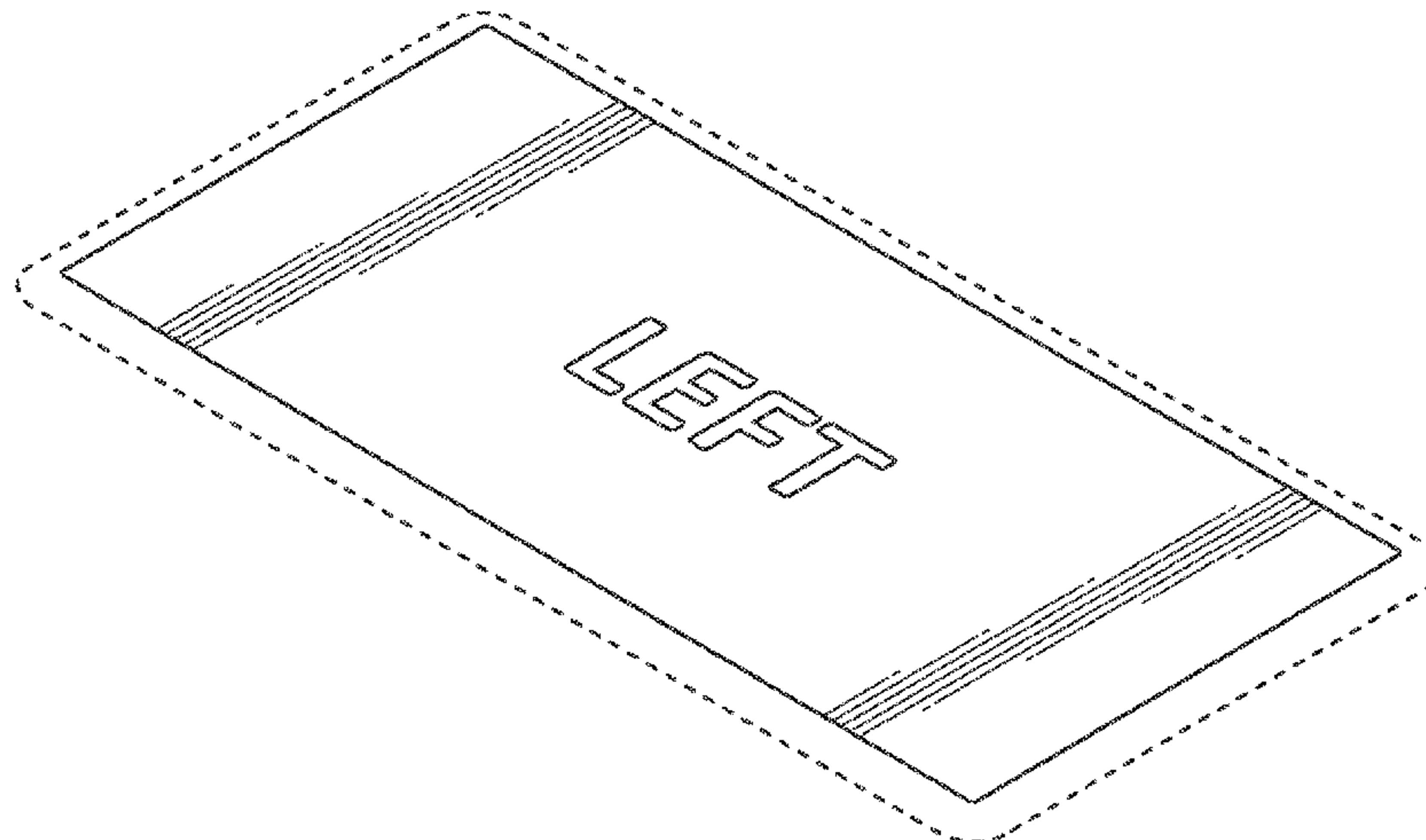
FIG. 23 is a bottom plan view thereof;

FIG. 24 is a front elevational view thereof; the opposite side being a mirror image; and,

FIG. 25 is a side elevational view thereof, the opposite side being a mirror image.

The drawings are lined for color. FIGS. 11, 12, 16, 17, 21, and 22 are lined to indicate specific colors.

(Continued)



The broken lines shown represent unclaimed subject matter and form no part of the claimed design.

**1 Claim, 10 Drawing Sheets**

**(58) Field of Classification Search**

USPC ..... D19/113; D21/686, 780; D23/261, 310,  
 D23/361; D25/156; D30/161; D32/57  
 CPC ..... A47G 27/02; A47G 27/0206; A47G  
 27/0212; A47G 27/0218; A47G 27/0225;  
 A47G 27/0231; A47G 27/0237; A47G  
 27/0275; A47G 27/0293; A47G 9/062;  
 A47K 3/002; A63B 6/00; A63B 21/4037;  
 E04F 2201/095; E04F 19/10; G09B  
 19/0015; B60B 39/00; B60B 39/12; A47L  
 23/26; A47L 23/266

See application file for complete search history.

**(56) References Cited**

U.S. PATENT DOCUMENTS

902,573 A \* 11/1908 Fleck ..... A43B 3/0031  
 36/1  
 2,473,877 A \* 6/1949 Goldstein ..... A43B 1/0036  
 36/1  
 2,843,868 A \* 7/1958 Borgstrom ..... A47L 23/266  
 15/215

3,330,053 A \* 7/1967 Hendrix ..... G09B 19/02  
 434/188  
 3,518,428 A \* 6/1970 Ring ..... G03B 42/047  
 378/165  
 3,619,611 A \* 11/1971 Hall ..... G03B 42/047  
 378/165  
 D230,456 S \* 2/1974 White ..... D6/591  
 4,035,653 A \* 7/1977 Karasko ..... G09F 3/0291  
 378/165  
 4,127,774 A \* 11/1978 Gillen ..... G03B 42/047  
 378/162  
 D316,119 S \* 4/1991 McDermott ..... A47L 23/266  
 D14/494  
 D369,936 S \* 5/1996 Halcomb ..... G03B 42/047  
 D6/596  
 D401,101 S \* 11/1998 Shanley, Jr. .... G09F 3/0291  
 D6/583  
 D406,000 S \* 2/1999 Hartranft ..... G03B 42/047  
 D6/583  
 6,219,876 B1 \* 4/2001 Blum ..... G09F 19/22  
 15/215  
 D840,717 S \* 2/2019 Lu ..... A47L 23/266  
 D6/582  
 D883,711 S \* 5/2020 Hughes ..... D6/583  
 D886,492 S \* 6/2020 Farkas ..... D6/582  
 2002/0187315 A1 \* 12/2002 Tanel ..... A47L 23/266  
 428/204  
 2003/0044561 A1 \* 3/2003 Kobayashi ..... A47L 23/266  
 428/47  
 2014/0329044 A1 \* 11/2014 Fantin ..... A63B 6/00  
 428/71  
 2019/0117039 A1 \* 4/2019 McKeown ..... A46B 5/06

\* cited by examiner

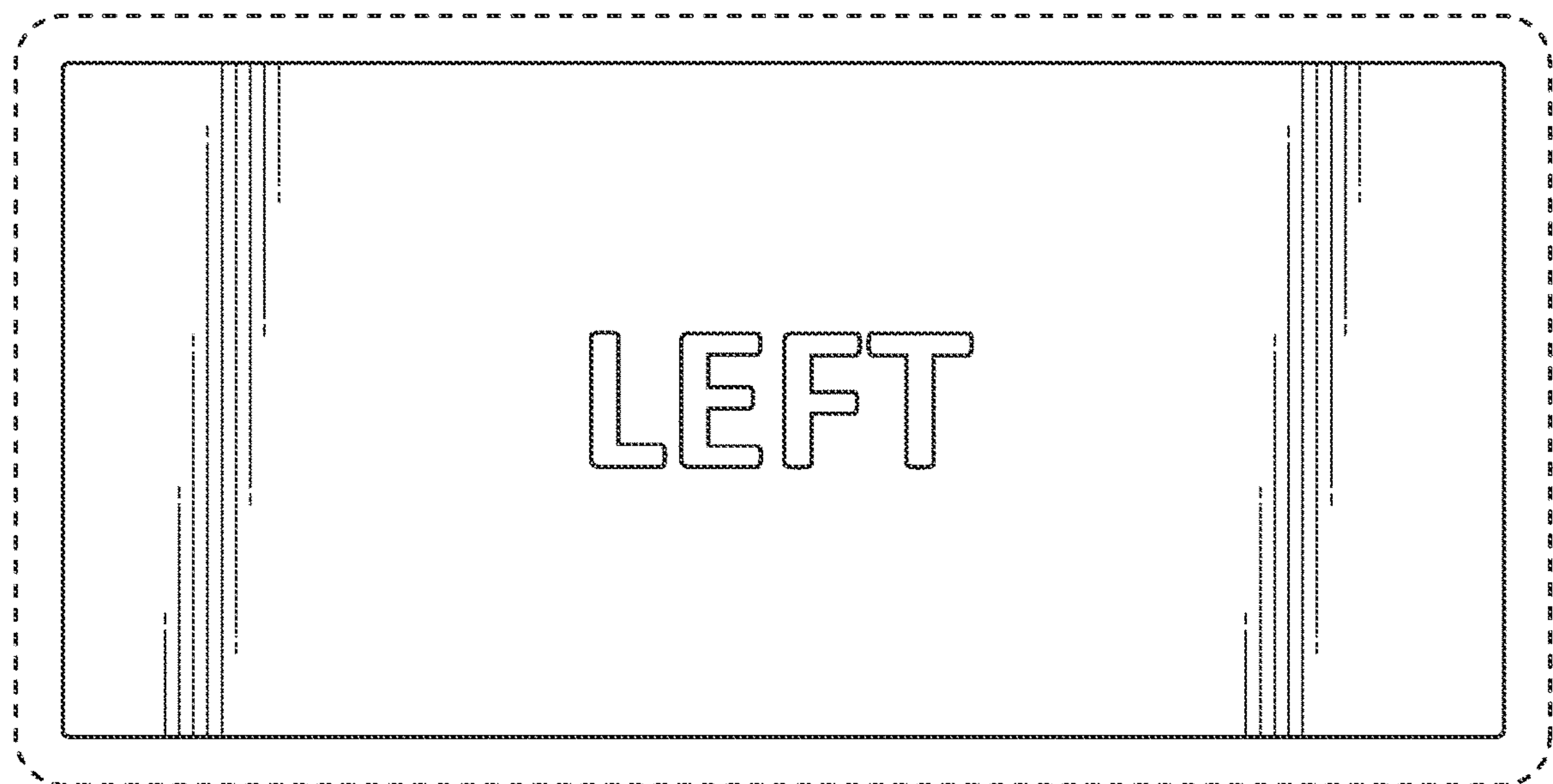
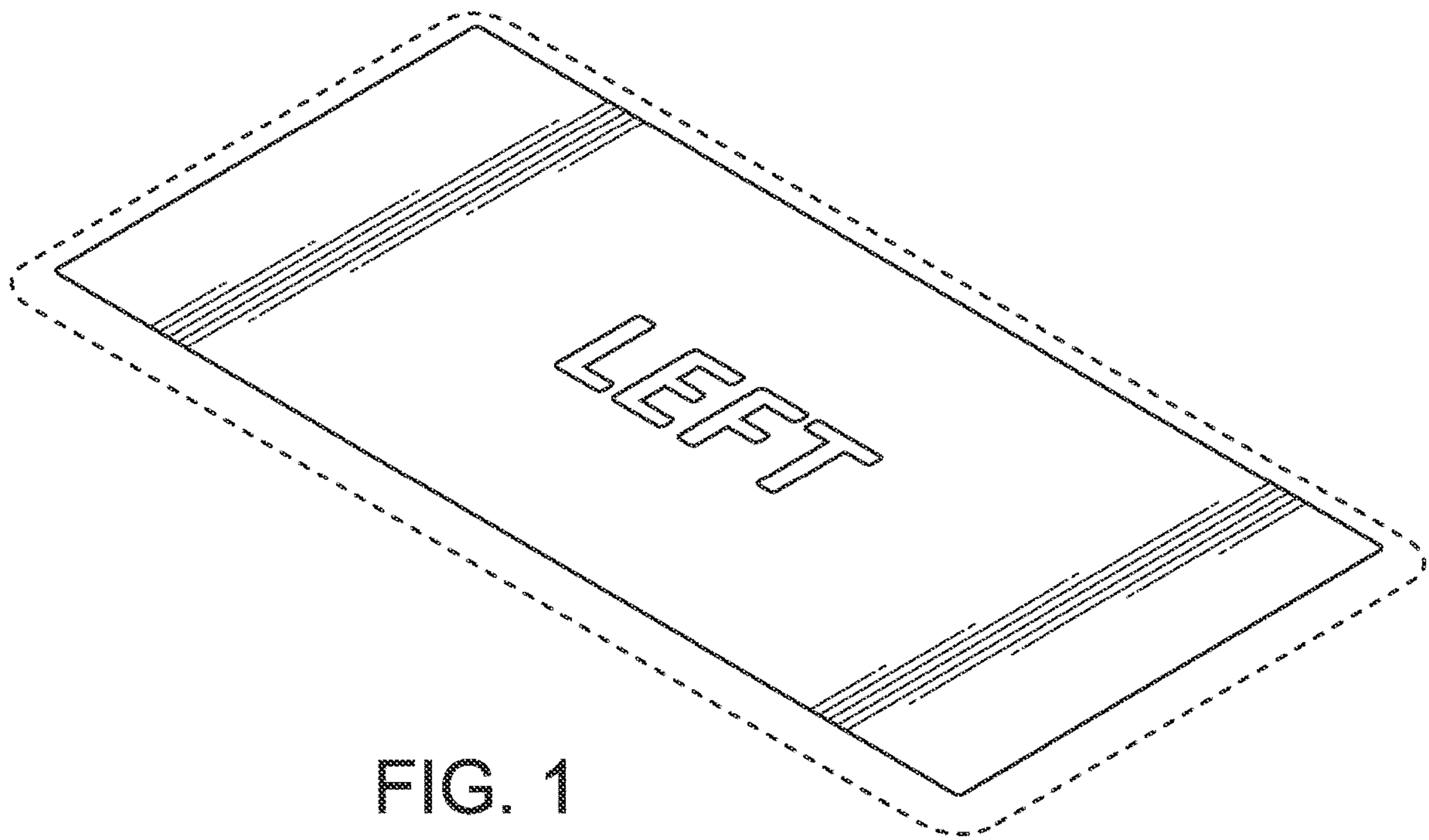




FIG. 3



FIG. 4



FIG. 5



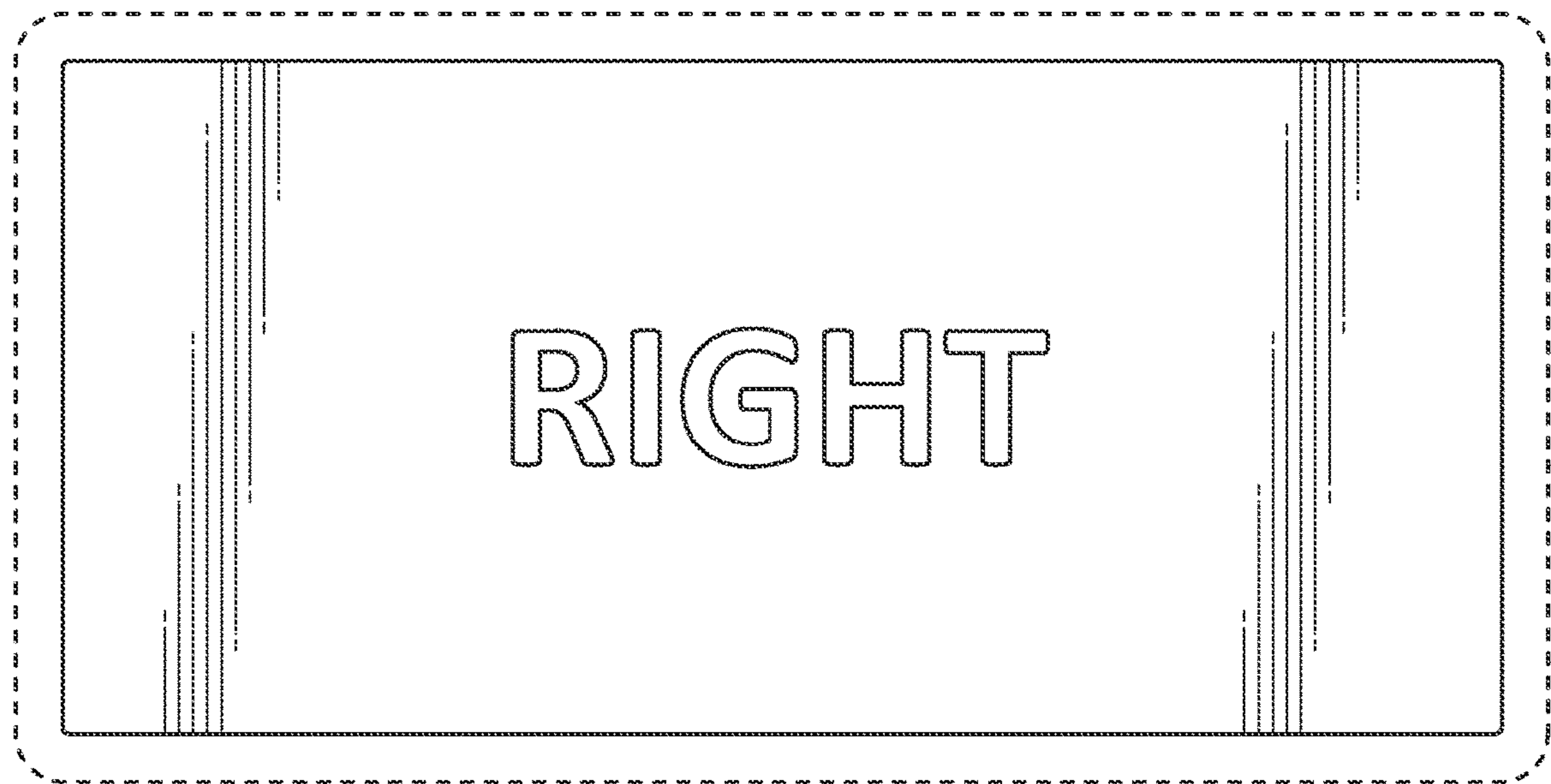
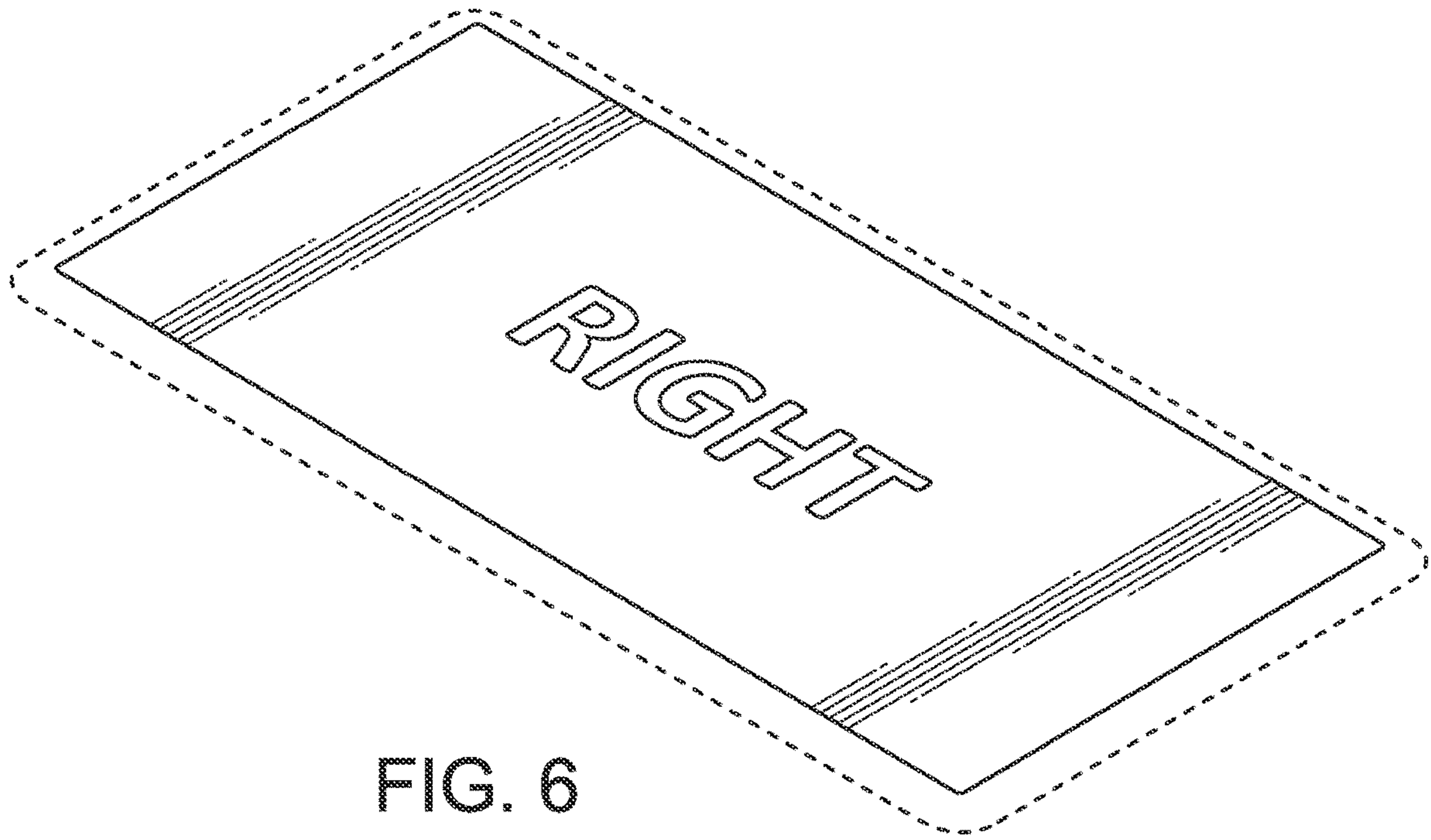




FIG. 8

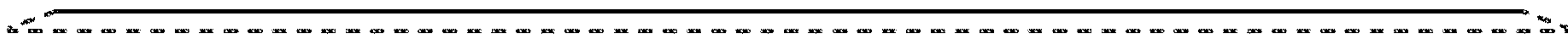


FIG. 9



FIG. 10

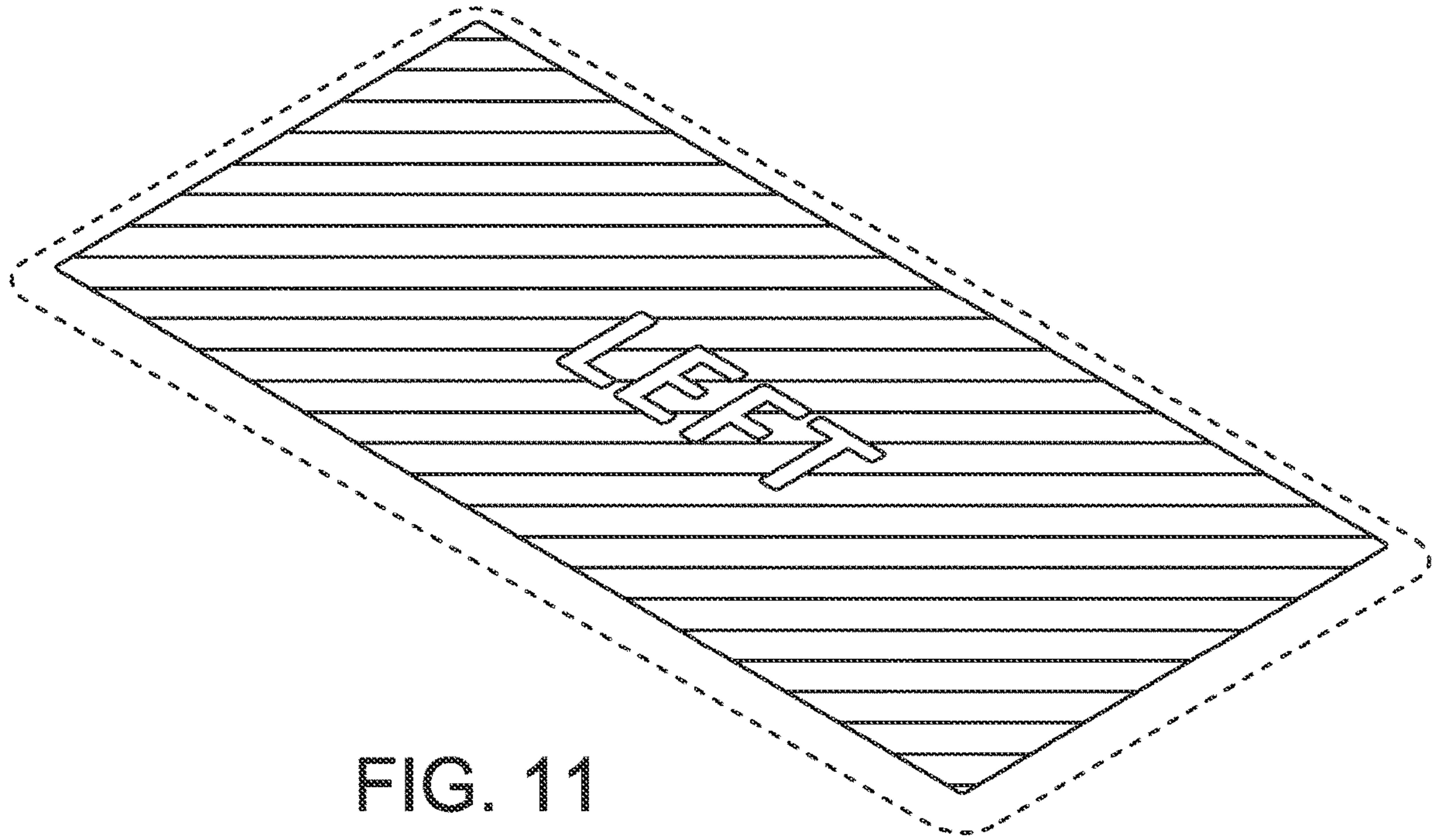


FIG. 11

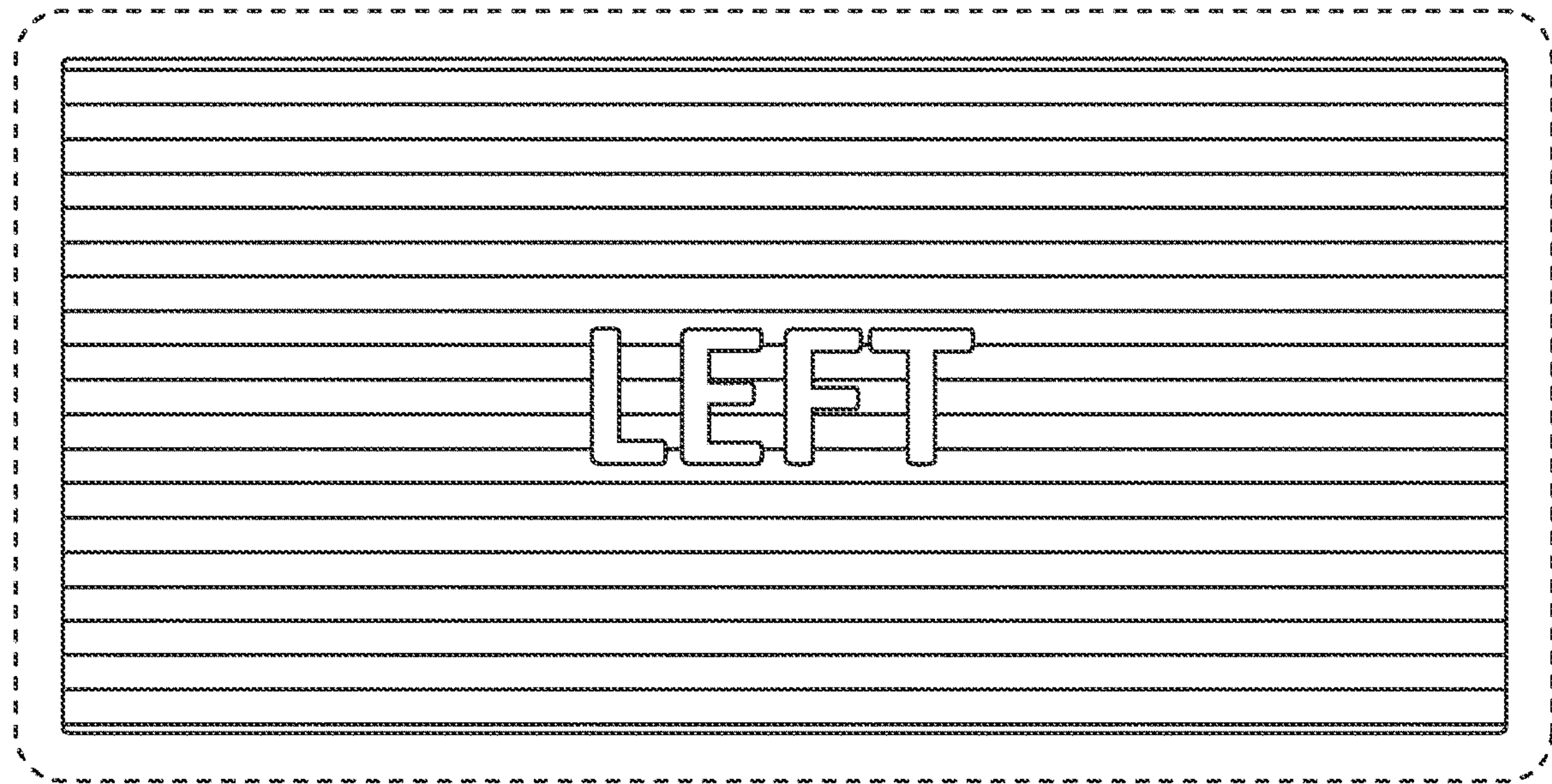


FIG. 12



FIG. 13



FIG. 14

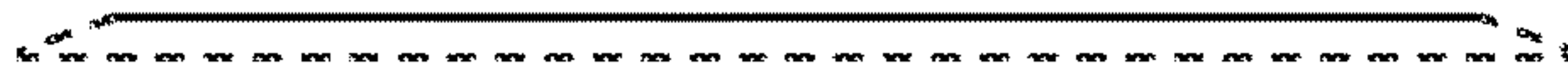


FIG. 15



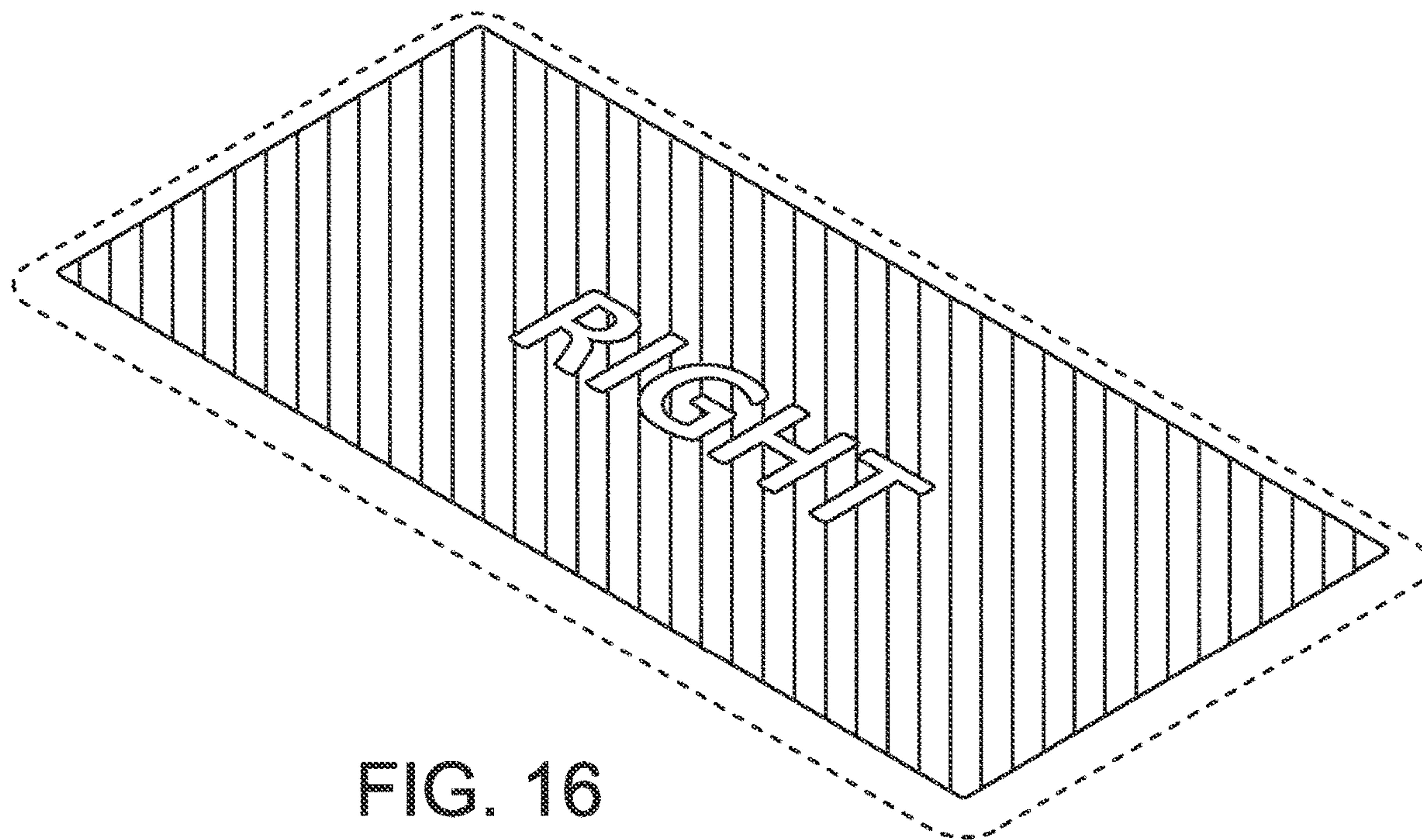


FIG. 16

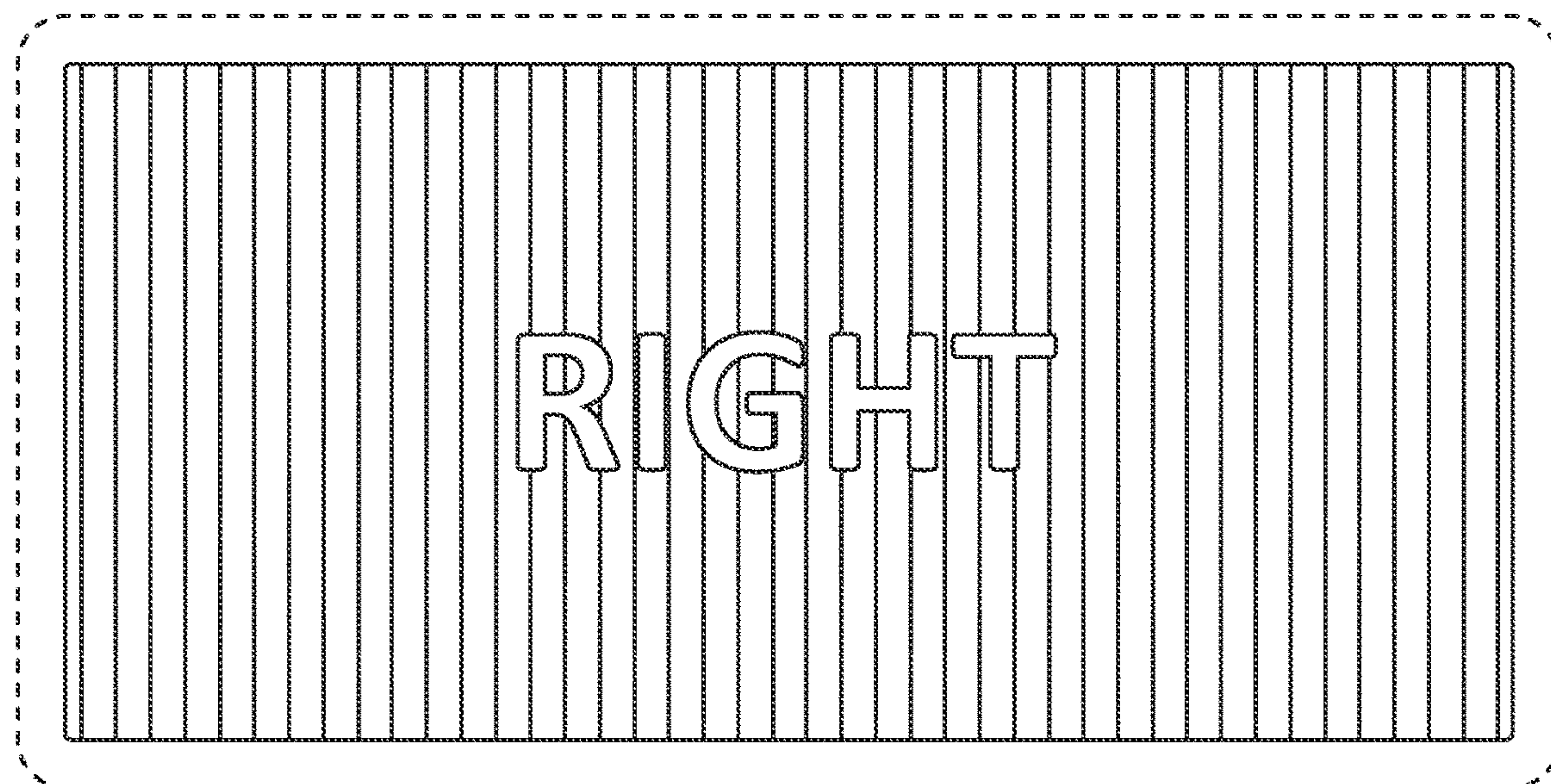


FIG. 17



FIG. 18



FIG. 19



FIG. 20



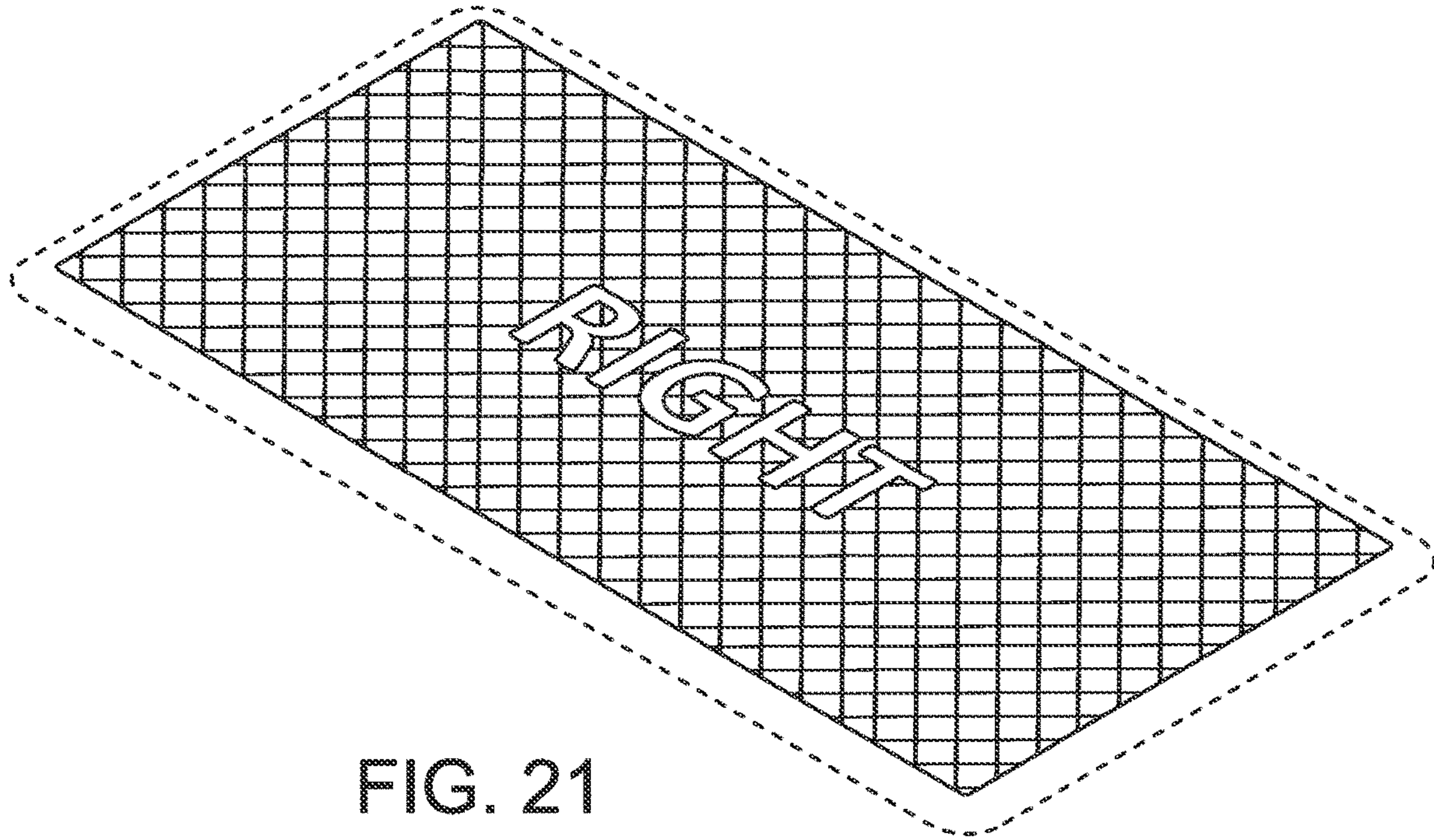


FIG. 21

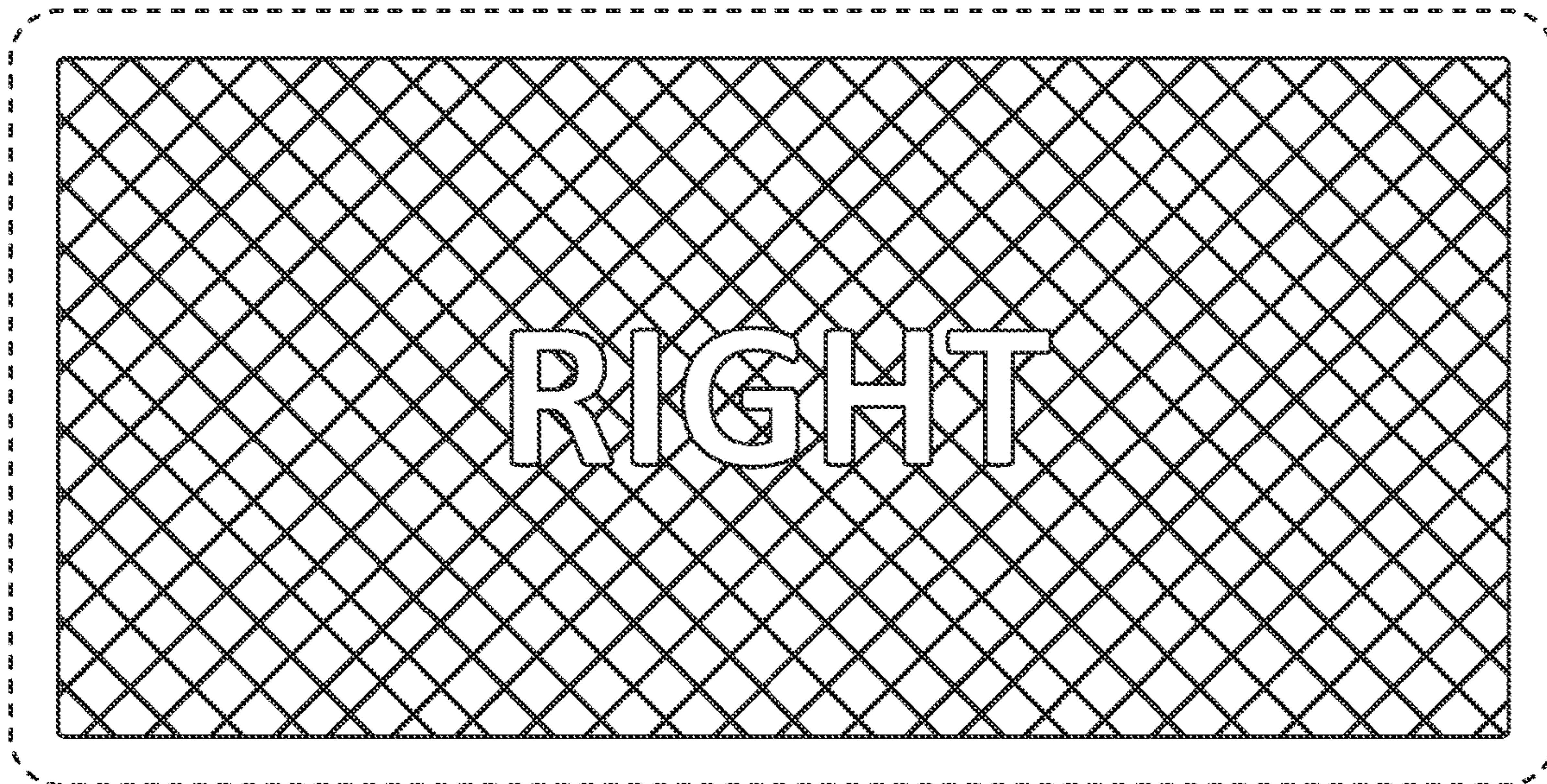


FIG. 22



FIG. 23



FIG. 24



FIG. 25