



US00D928528S

(12) **United States Design Patent** (10) **Patent No.:** **US D928,528 S**
Liu (45) **Date of Patent:** **** Aug. 24, 2021**

(54) **HANGING JEWELRY ORGANIZER**

(56) **References Cited**

(71) Applicant: **Wuhan Chengyuan Dehe Technology Co., Ltd.**, Wuhan (CN)

U.S. PATENT DOCUMENTS

(72) Inventor: **Chuanke Liu**, Wuhan (CN)

D249,607 S * 9/1978 Goldman D6/571
D252,302 S * 7/1979 Persky D6/682.2
D252,303 S * 7/1979 Persky D6/682.6
5,067,617 A * 11/1991 Caldwell A47F 5/0807
211/85.2

(73) Assignee: **Wuhan Chengyuan Dehe Technology Co., Ltd.**, Wuhan (CN)

D332,025 S * 12/1992 Caldwell D6/570
D418,347 S * 1/2000 Dragonette D6/559
D550,014 S * 9/2007 Coran D6/570
D582,189 S * 12/2008 Peterson D6/553
D774,796 S * 12/2016 Larsh D6/514

(**) Term: **15 Years**

D887,168 S 6/2020 Quarrell
D889,125 S 7/2020 Joyce
D898,491 S 10/2020 Landau
D916,483 S * 4/2021 Li D6/513
2013/0140256 A1 * 6/2013 Sharp A47F 7/02
211/85.2

(21) Appl. No.: **29/768,165**

(22) Filed: **Jan. 28, 2021**

(51) **LOC (13) Cl.** **06-06**

(52) **U.S. Cl.**
USPC **D6/514**

(58) **Field of Classification Search**
USPC D6/514, 315, 327, 512, 513, 553, 567, D6/569, 570, 571, 682.2, 682.6; 108/59, 108/64, 67, 91; 211/13.1, 86.01, 113, 211/118, 119.003, 126.1, 126.2, 85.2; 248/309.1; 206/6.1, 38, 58, 214, 206/278-279, 288-289, 349, 362.2, 566, 206/568, 575, 579, 730; D3/303
CPC A47B 43/00; A47B 43/04; A47B 47/0066; A47B 47/04; A47B 63/00; A47B 69/00; A47B 71/00; A47B 51/00; A47B 49/00; A47B 81/00; A45C 11/16; A45C 11/00; A45C 13/02; A45C 15/00; A45C 2011/002; A45C 11/008; A45C 11/02; A45C 13/008; A45C 1/06; A45C 2200/10; A45C 3/02; A45C 11/182; A45C 11/26; A45C 13/42; A45C 2011/007; A47F 5/04; A47F 5/0876; A47F 7/02; A47F 5/10; A45D 33/06; A45D 33/20; A45D 34/00; A45D 40/00; A45D 40/18; A45D 40/22; A45D 44/04; A45D 19/00; A45D 19/0008; A45D 19/06; A45D 2001/002; A45D 2029/005; A45D 2034/007; A45D 2040/0025

See application file for complete search history.

* cited by examiner

Primary Examiner — Wan Laymon
Assistant Examiner — Mark Booker
(74) *Attorney, Agent, or Firm* — True Shepherd LLC;
Andrew C. Cheng

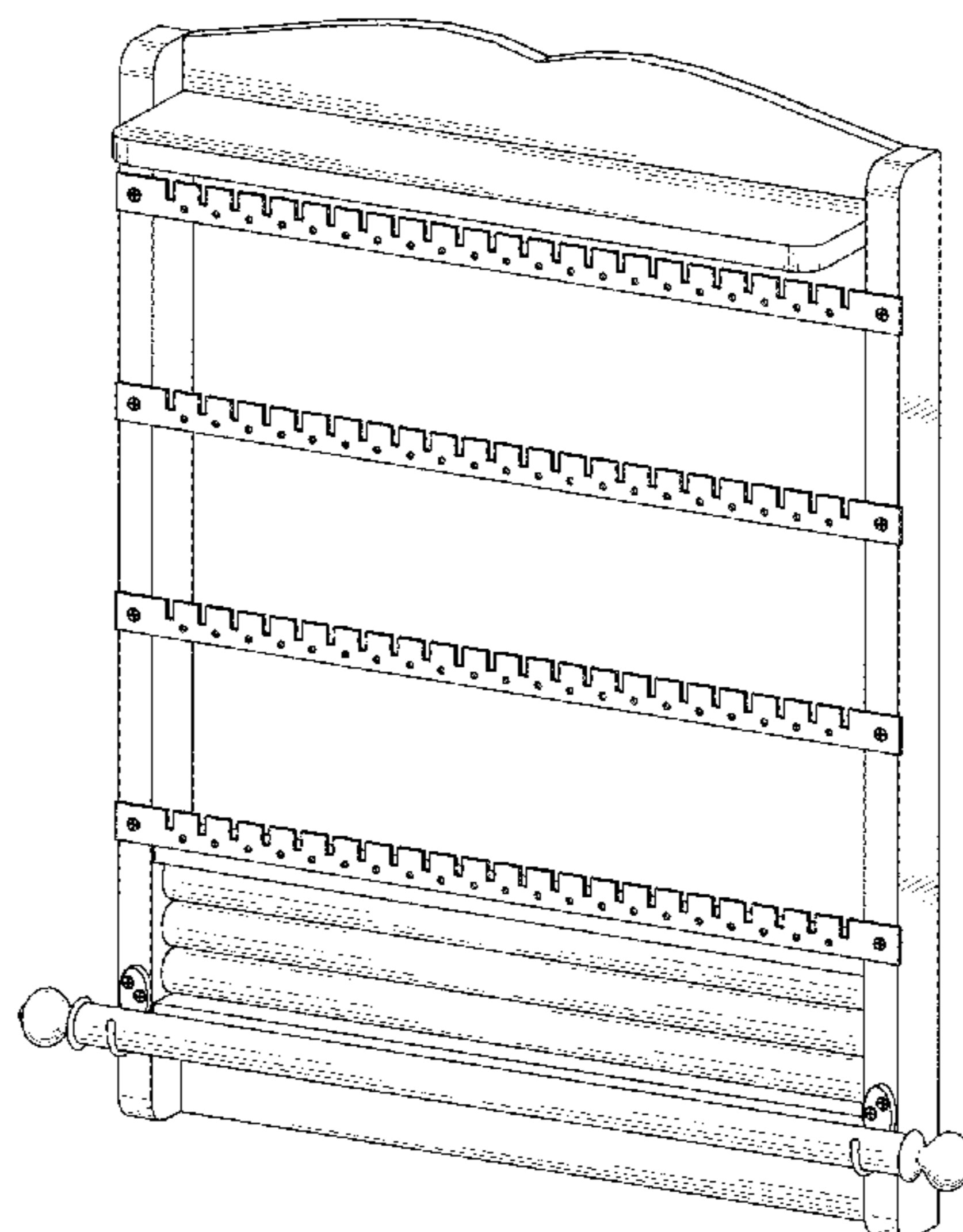
(57) **CLAIM**

The ornamental design for a hanging jewelry organizer, as shown and described.

DESCRIPTION

FIG. 1 is a perspective view of a hanging jewelry organizer showing my new design;
FIG. 2 is a front view thereof;
FIG. 3 is a rear view thereof;
FIG. 4 is a left side view thereof;
FIG. 5 is a right side view thereof;
FIG. 6 is a top plan view thereof; and,
FIG. 7 is a bottom plan view thereof.

1 Claim, 7 Drawing Sheets



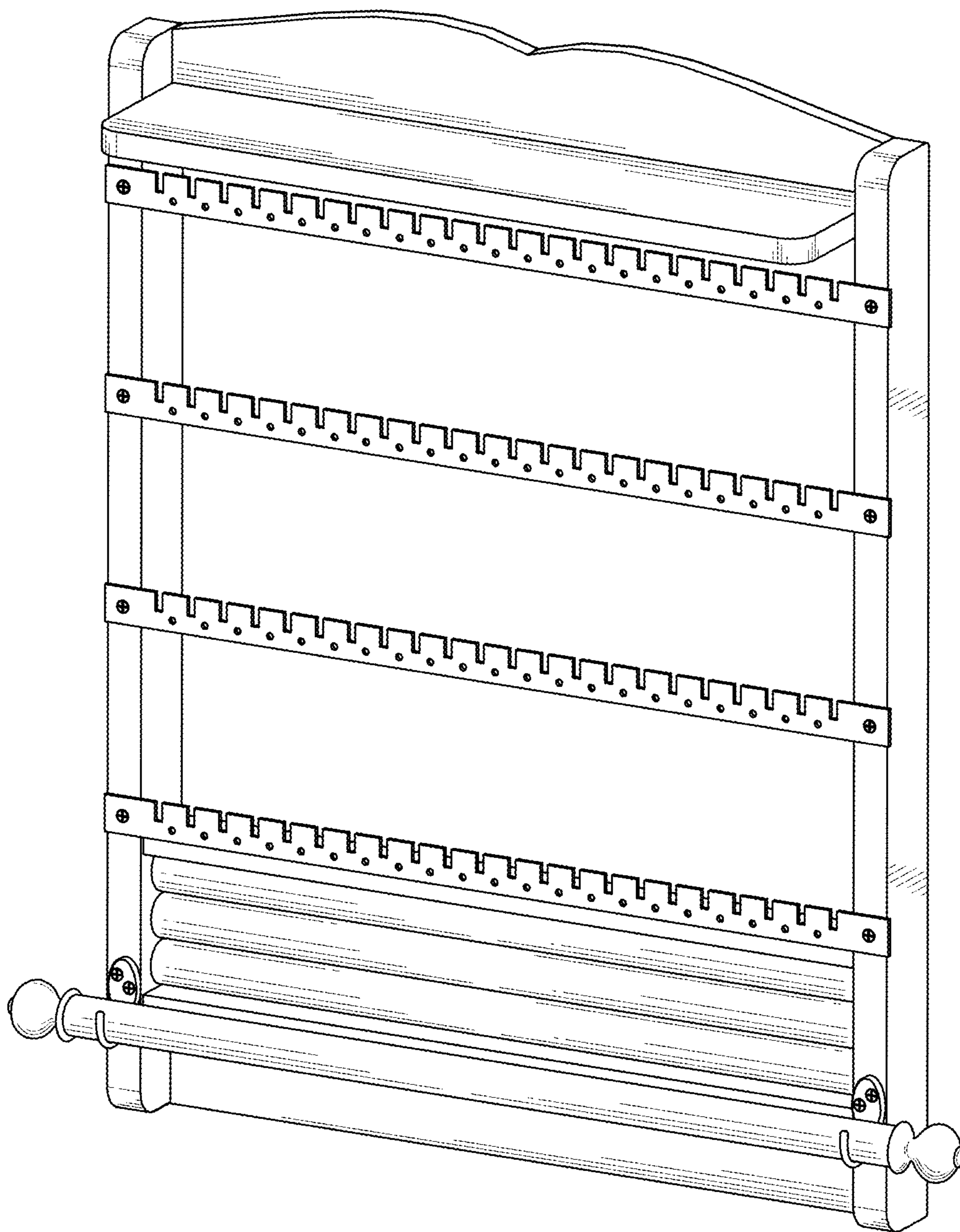


FIG. 1

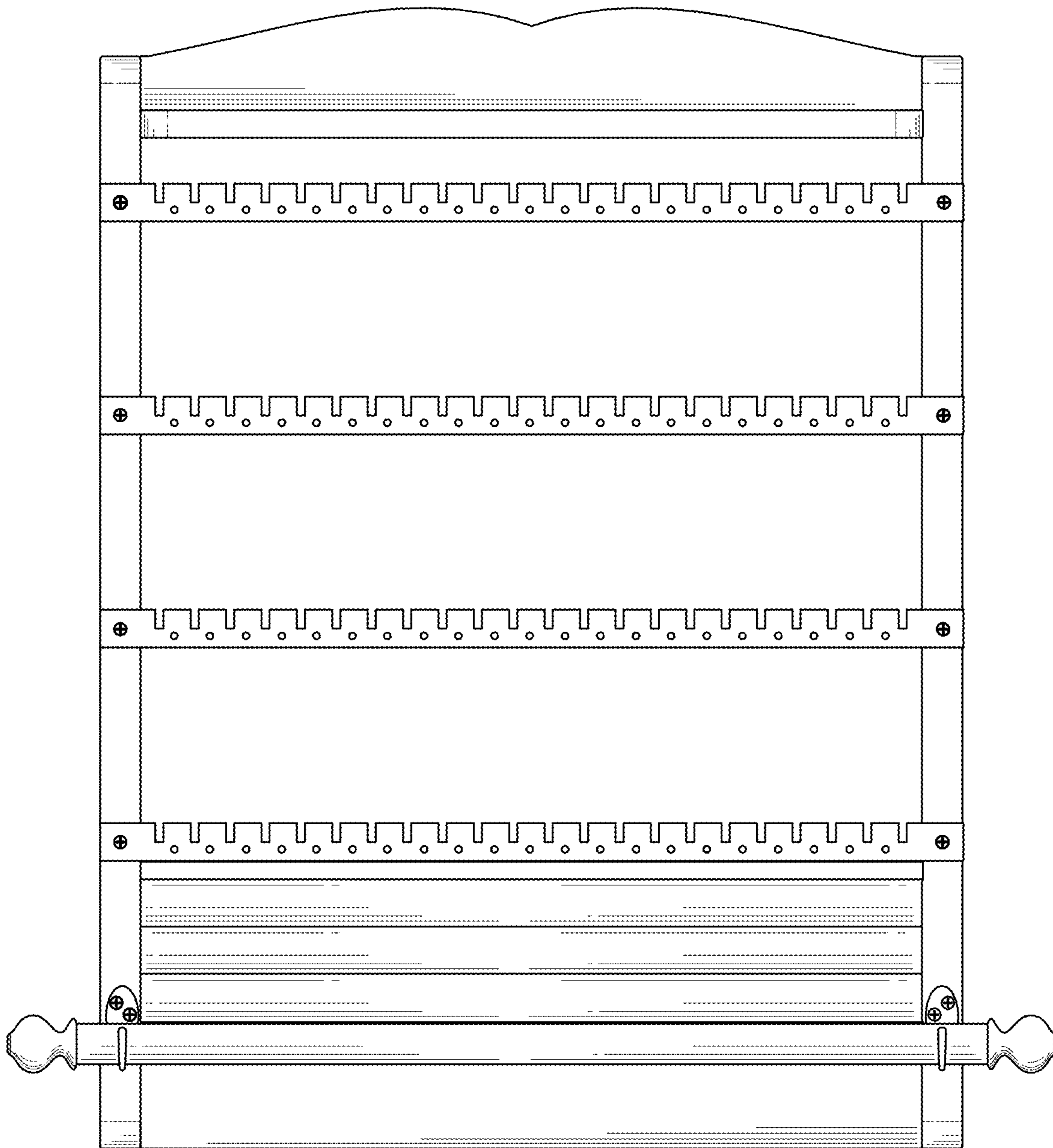


FIG. 2

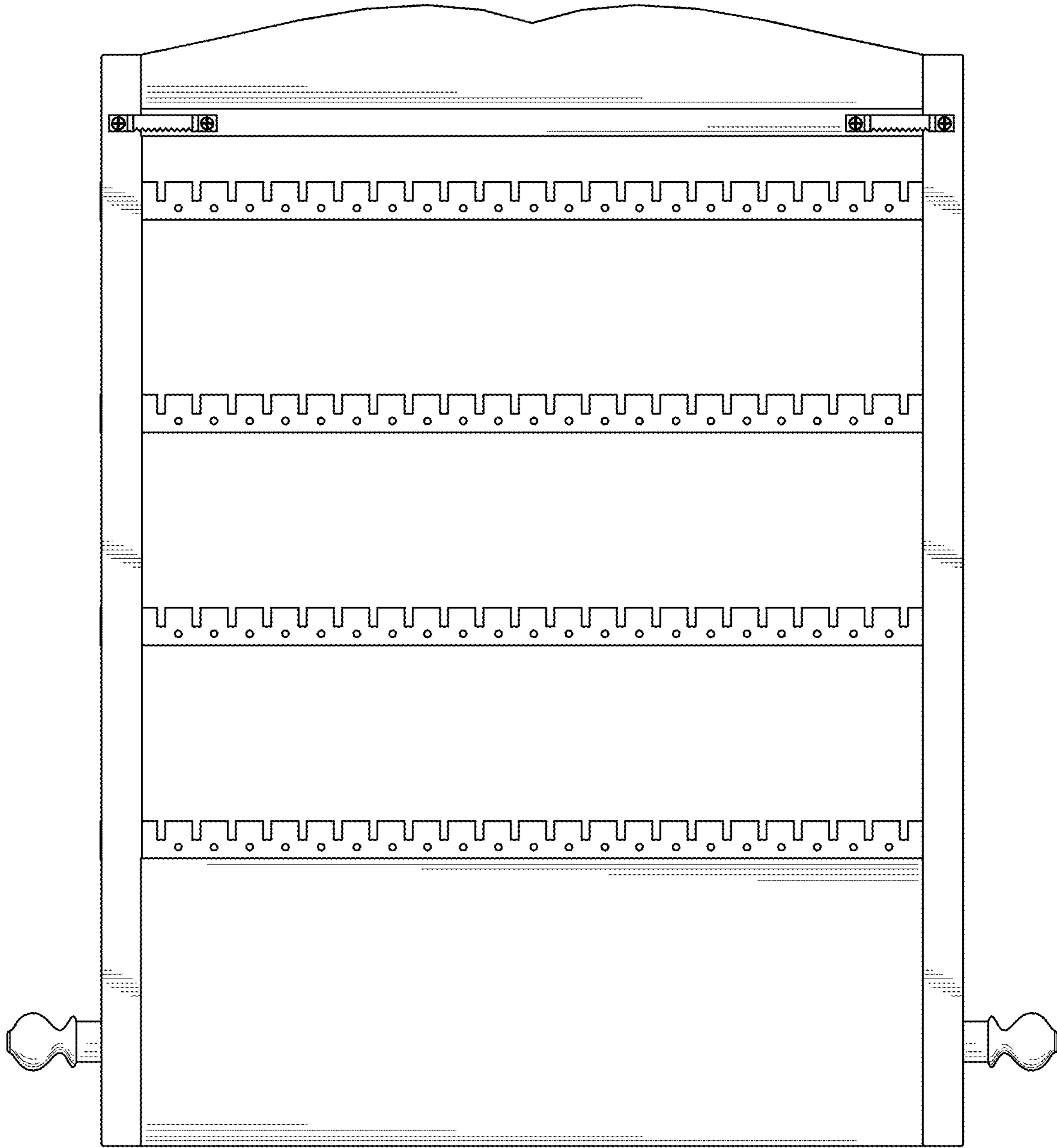


FIG. 3

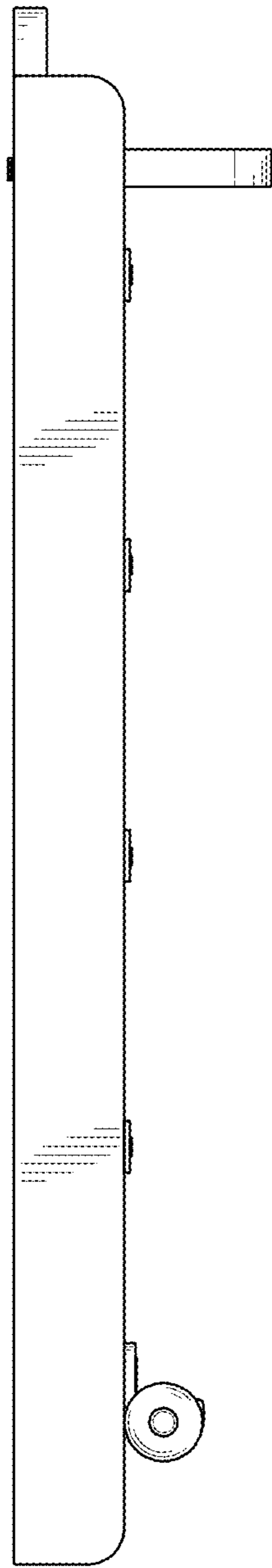


FIG. 4

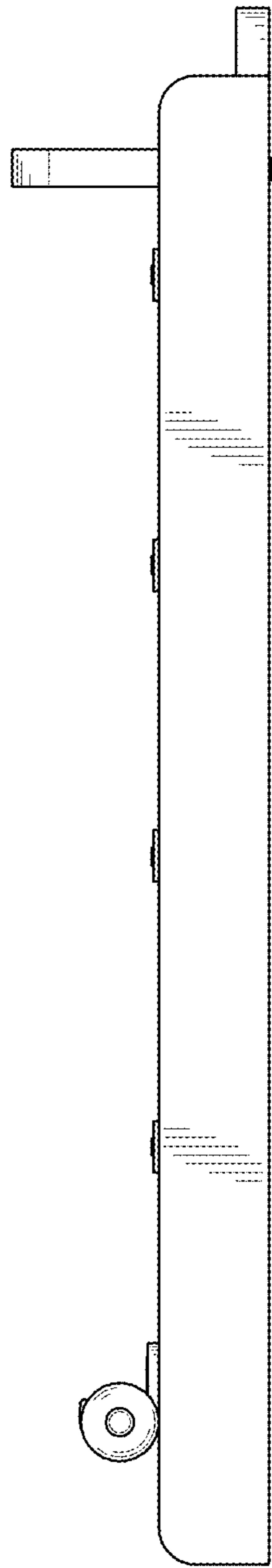


FIG. 5

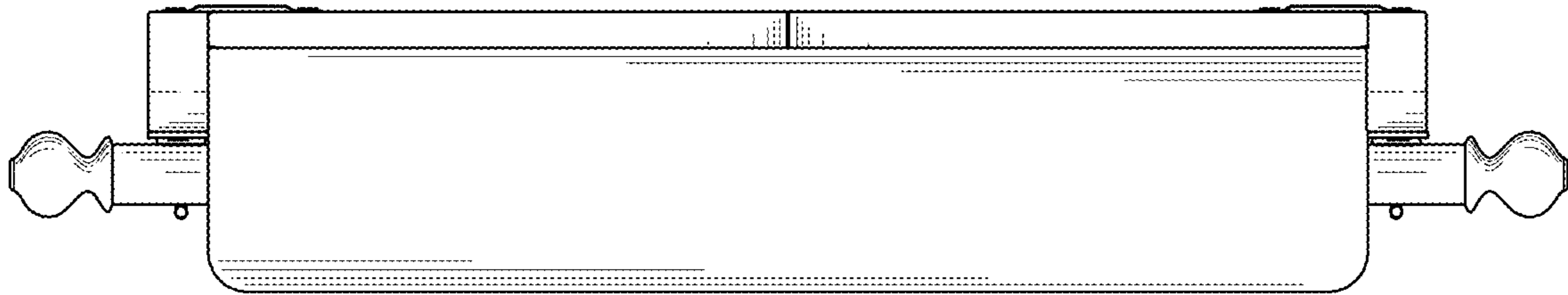


FIG. 6

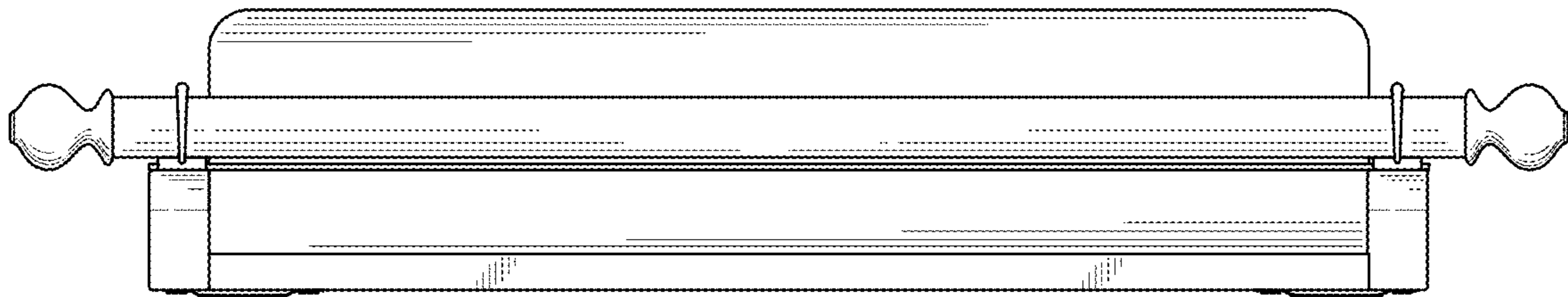


FIG. 7