



US00D928526S

(12) **United States Design Patent** (10) **Patent No.:** **US D928,526 S**
Huang (45) **Date of Patent:** **** Aug. 24, 2021**

(54) **CHAIR**

(56) **References Cited**

(71) Applicant: **GABRIELLA WHITE, LLC**, Pelham, AL (US)

U.S. PATENT DOCUMENTS

(72) Inventor: **Kai-ning Huang**, Pelham, AL (US)

D184,238 S *	1/1959	Nelson	D6/380
D194,742 S *	3/1963	Deaton	D6/380
D275,054 S *	8/1984	Aronowitz	D6/360
D347,529 S *	6/1994	Hachenberg	D6/334
D360,540 S *	7/1995	Edwards	D6/379
D367,565 S *	3/1996	Yeh	D6/374
D409,409 S *	5/1999	Muller	D6/379
D570,121 S *	6/2008	Sammons	D6/334
D647,320 S *	10/2011	Young	D6/380
D686,009 S *	7/2013	Mari	D6/379
D690,952 S *	10/2013	Becker	D6/379
D709,711 S *	7/2014	Citterio	D6/379
D724,342 S *	3/2015	Pesso	D6/374
D763,003 S *	8/2016	Moscheri	D6/380
D763,004 S *	8/2016	Moscheri	D6/380
D799,848 S *	10/2017	Morrison	D6/380
D836,361 S *	12/2018	Starck	D6/379

(73) Assignee: **Gabriella White, LLC**, Pelham, AL (US)

(**) Term: **15 Years**

(21) Appl. No.: **29/727,284**

(22) Filed: **Mar. 10, 2020**

(51) **LOC (13) Cl.** **06-01**

(52) **U.S. Cl.**
USPC **D6/380**

(58) **Field of Classification Search**

USPC D6/333, 334, 341, 348, 349, 350, 352, D6/353, 360, 364, 369, 370, 371, 373, D6/374, 375, 376, 377, 379, 380, 390, D6/677, 692, 700, 708, 708.16, 716, 366, D6/601, 673, 716.4, 363; D16/237; D21/412, 419, 521

CPC A47C 1/124; A47C 3/34; A47C 4/028; A47C 4/02; A47C 5/12; A47C 5/125; A47C 7/506; A47C 9/007; A47C 13/005; A47C 13/023; A47C 31/113; A47C 3/00; A47C 4/08; A47C 4/00; A47C 7/70; A47C 7/405; A47C 13/00; A47C 3/04; A47C 5/06; A47C 5/10; A47C 7/282; A47C 7/002; B60R 2/0284; B60R 2/062; B60R 22/001; B60R 22/24; B60R 22/28; B60R 22/58; B60R 22/64; B60R 22/68; B60R 22/80; B60R 22/99; B60R 22/245; B60R 22/643; B60R 22/646; B60R 22/665; B60R 22/686; B60R 22/688; B60R 22/803; B60R 22/986; B60R 22/914; B60R 22/995; A47B 83/02; A47B 83/023; A47B 83/024; A47B 85/04

See application file for complete search history.

(Continued)

Primary Examiner — Kevin K Rudzinski

Assistant Examiner — Paul D Bohannon

(74) *Attorney, Agent, or Firm* — C. Brandon Browning; Maynard, Cooper & Gale, PC

(57) **CLAIM**

The ornamental design for a chair, as shown and described.

DESCRIPTION

FIG. 1 shows a perspective view of the chair in accordance with the new design.

FIG. 2 shows a front elevation view of the chair.

FIG. 3 shows a rear elevation view of the chair.

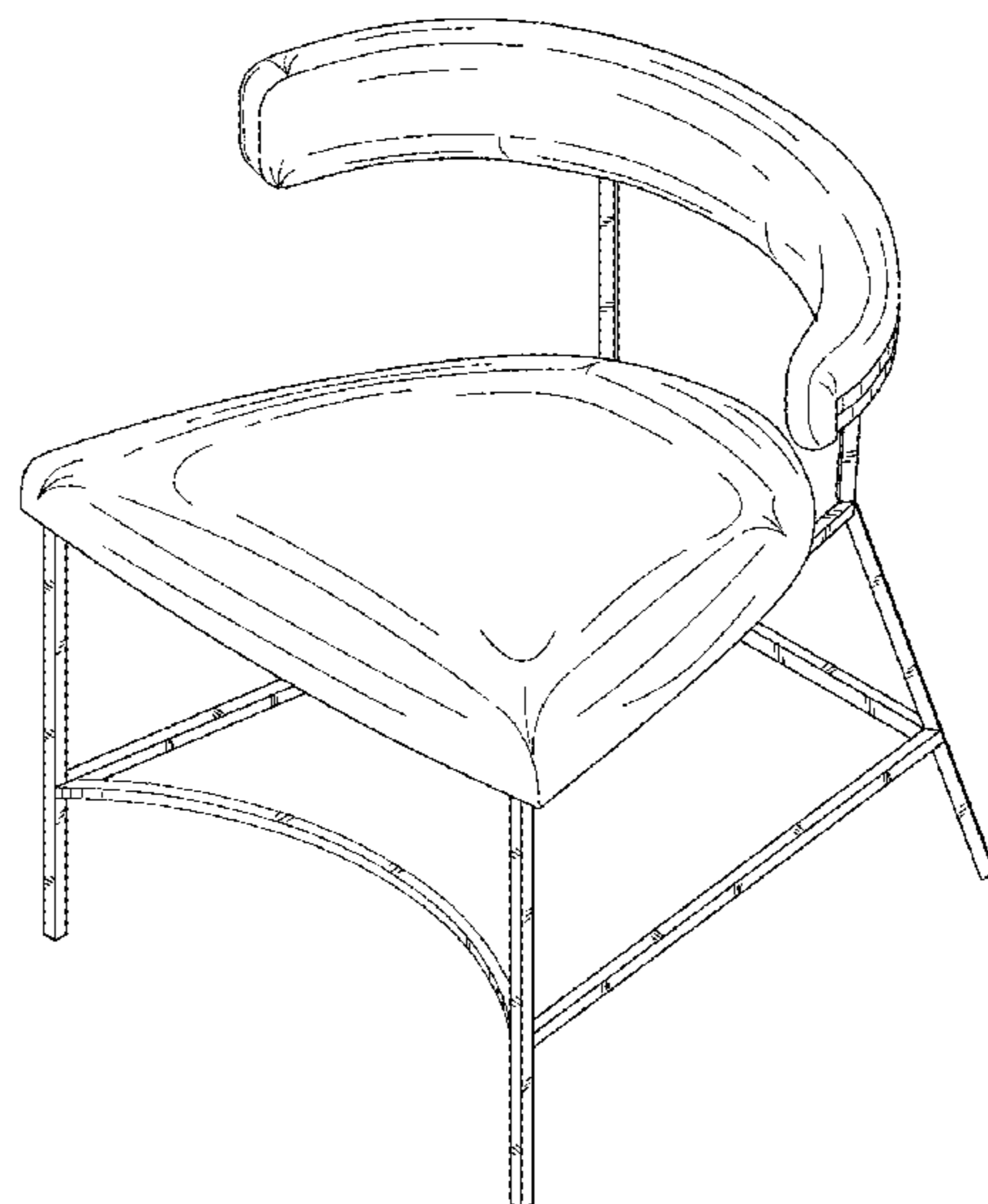
FIG. 4 shows a left side elevation view of the chair.

FIG. 5 shows a top plan view of the chair; and,

FIG. 6 shows a bottom plan view of the chair.

The right elevation view is a mirror image of the left elevation view as shown in FIG. 4.

1 Claim, 6 Drawing Sheets



(56)

References Cited

U.S. PATENT DOCUMENTS

D871,792 S	*	1/2020	Citterio	D6/380
D880,886 S	*	4/2020	Wanders	D6/369
D885,780 S	*	6/2020	Oakley	D6/379
D898,401 S	*	10/2020	Tabuchi	D6/376
D903,362 S	*	12/2020	Jones	D6/380

* cited by examiner

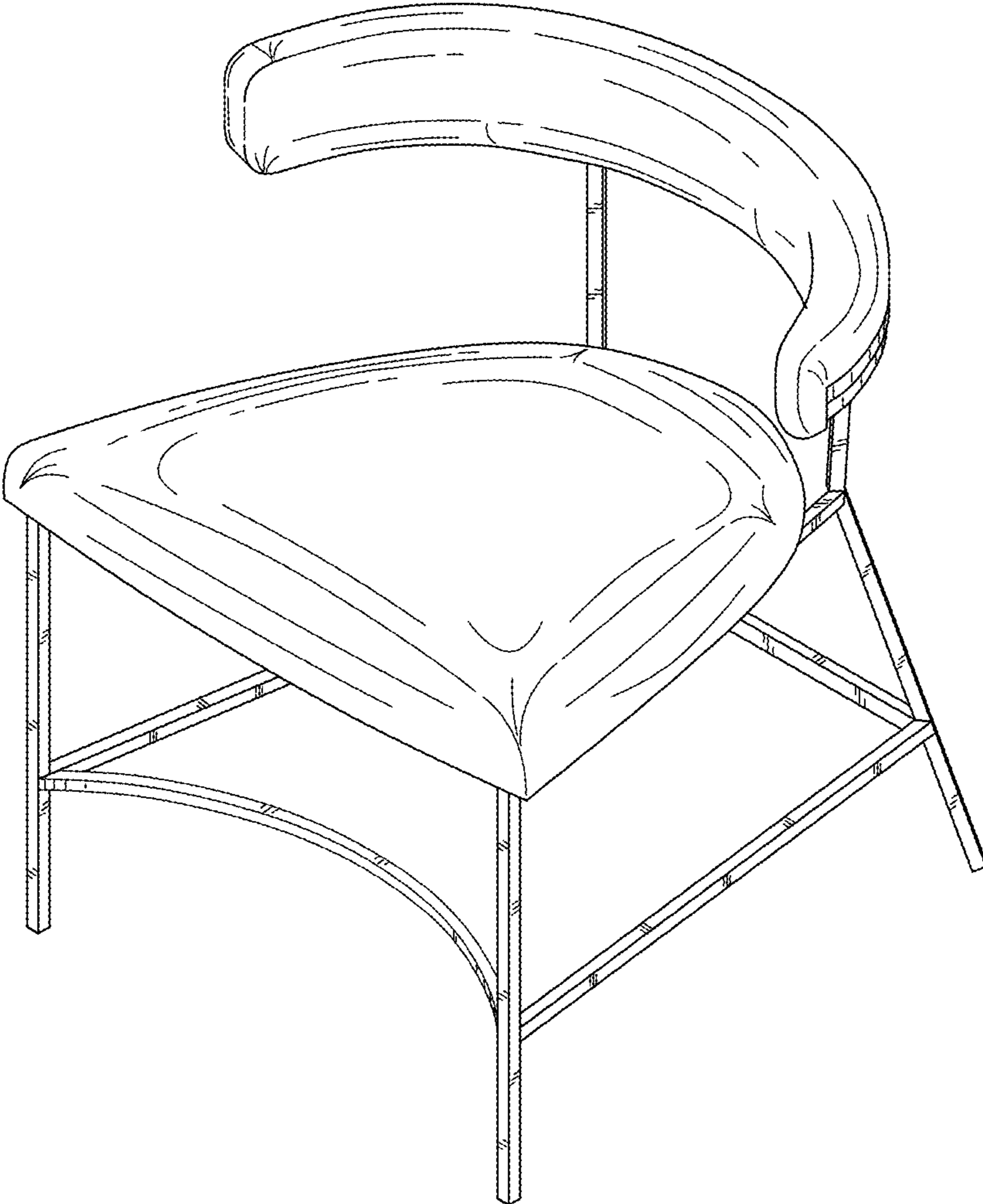


FIG. 1

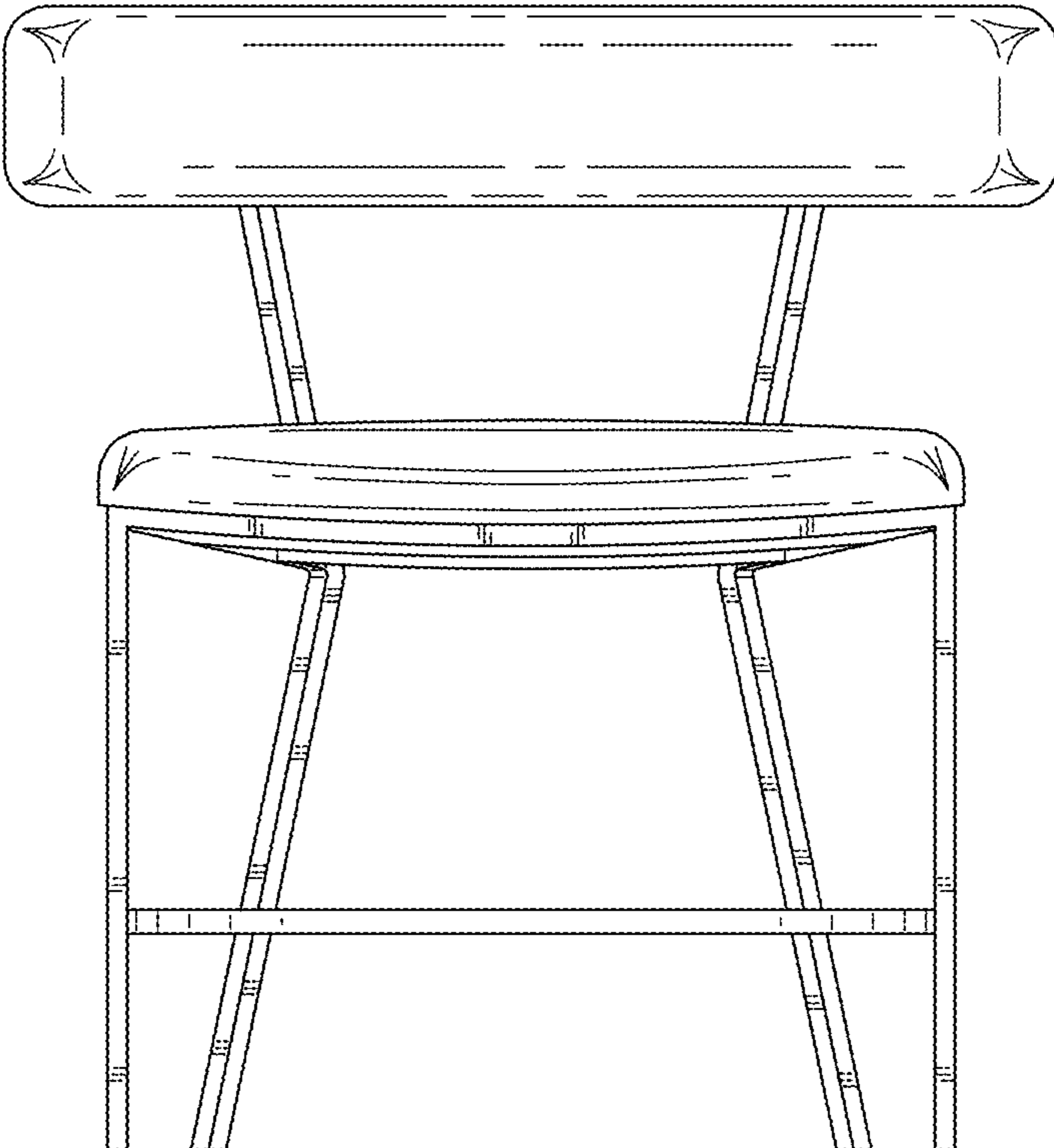


FIG. 2

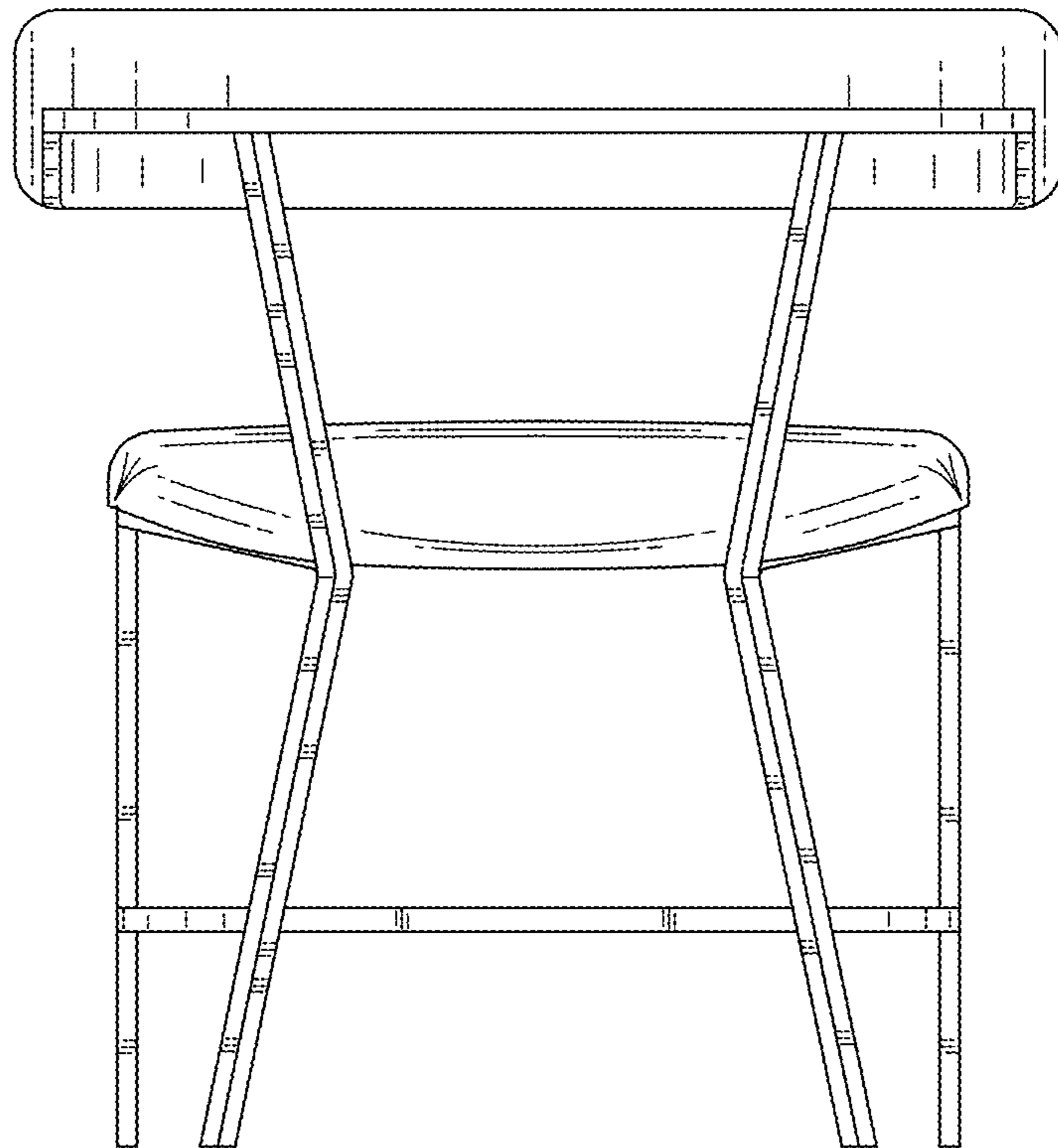


FIG. 3

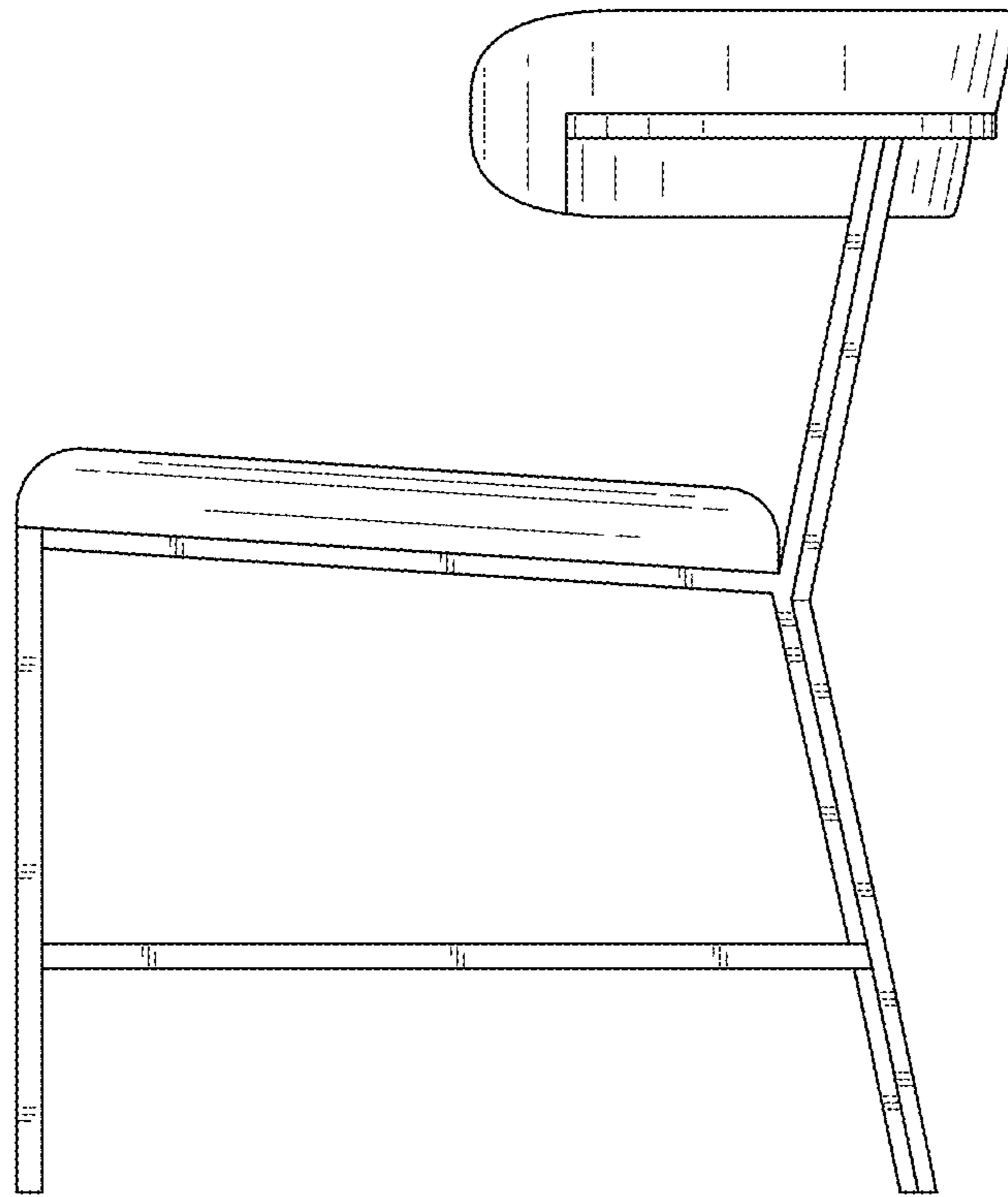


FIG. 4

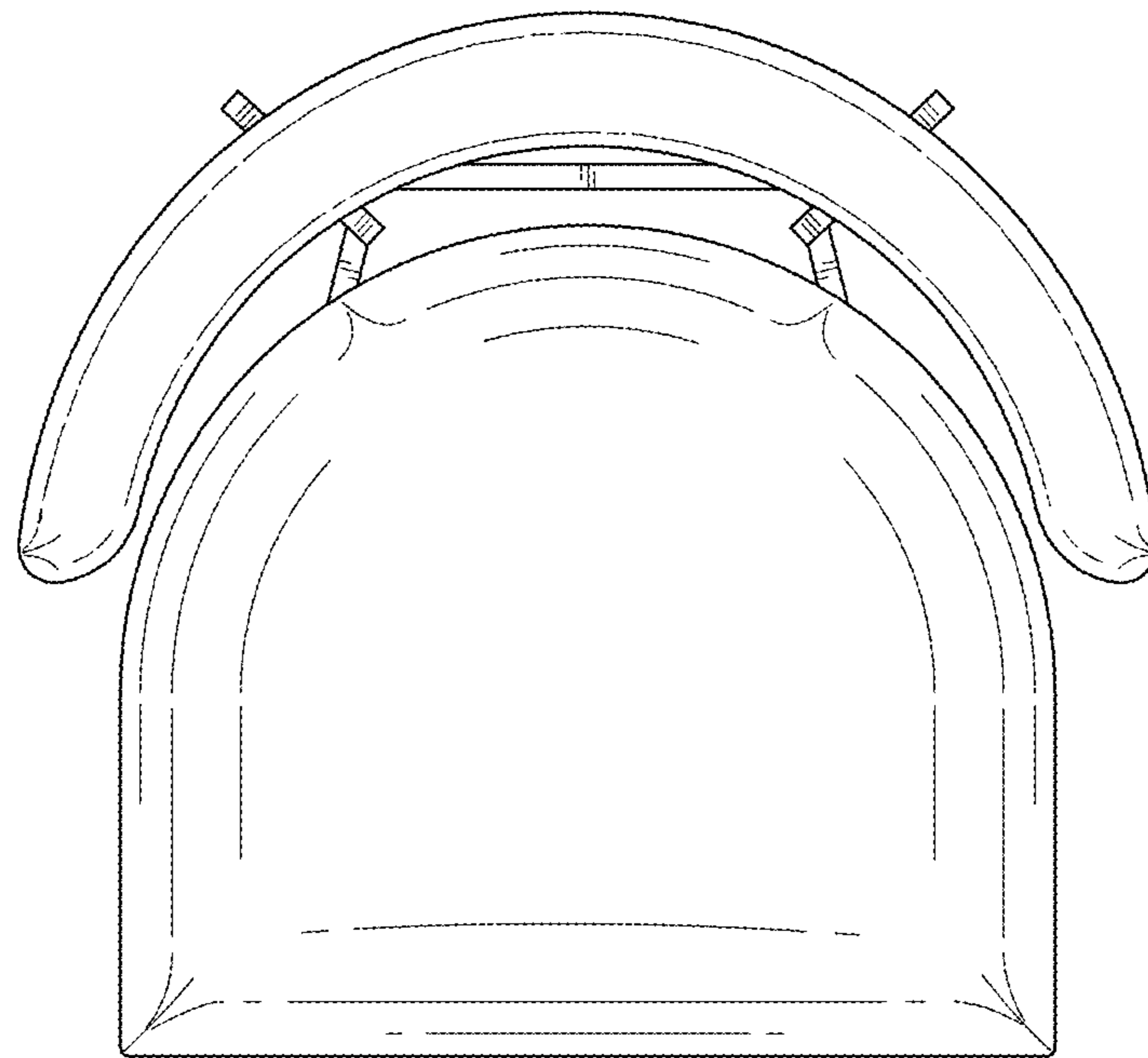


FIG. 5

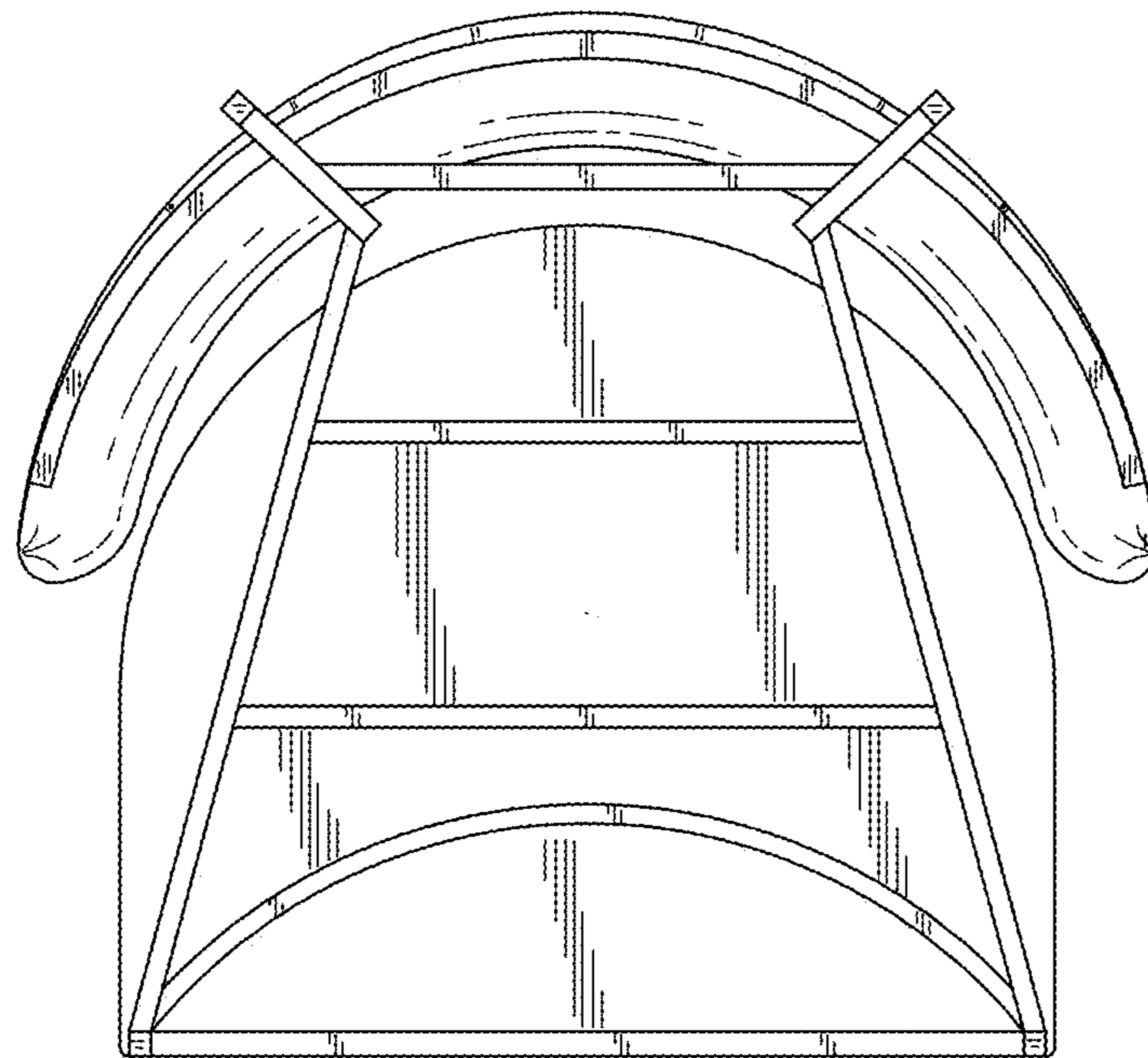


FIG. 6