



US00D928521S

(12) **United States Design Patent** (10) **Patent No.:** **US D928,521 S**  
**Sunstrom et al.** (45) **Date of Patent:** **\*\* Aug. 24, 2021**

(54) **DESK SUPPORT WITH SEAT**

FOREIGN PATENT DOCUMENTS

(71) Applicant: **School Specialty, Inc.**, Greenville, WI (US)

CN 303003087 \* 6/2014  
CN 306253545 \* 6/2020  
CN 306474108 \* 6/2020

(72) Inventors: **Adam Sunstrom**, Appleton, WI (US);  
**Ryan Haase**, Temple, TX (US)

OTHER PUBLICATIONS

(73) Assignee: **School Specialty, LLC**, Greenville, WI (US)

Classroom Select NeoRyde Stool [online], [site visited Jun. 2, 2021]. Available from internet, URL: <https://www.schoolspecialty.com/classroom-select-neoryde-stool-adjustable-height-rubber-base-5002717> (Year: 2021).\*

(\*\*) Term: **15 Years**

(Continued)

(21) Appl. No.: **29/719,095**

(22) Filed: **Dec. 31, 2019**

*Primary Examiner* — Cynthia Ramirez

*Assistant Examiner* — Xavier Marti-Santos

(51) **LOC (13) Cl.** ..... **06-01**

(74) *Attorney, Agent, or Firm* — Nicholas A. Kees;

(52) **U.S. Cl.**

Godfrey & Kahn, S.C.

USPC ..... **D6/338**

(58) **Field of Classification Search**

USPC ..... D6/334, 335, 336, 338, 340, 354, 360

CPC ..... A47B 39/00; A47B 41/00; A47C 7/54;

A47C 7/002; A47C 7/004; A47C 9/002;

A47C 9/005; A47C 9/025; A47D 1/008;

A47D 3/00; A47D 3/001; A47D 3/005

See application file for complete search history.

(57) **CLAIM**

The ornamental design for a desk support with seat, as shown and described.

(56) **References Cited**

**DESCRIPTION**

U.S. PATENT DOCUMENTS

D47,897 S \* 9/1915 Ruggles ..... D6/340  
D140,281 S \* 2/1945 Weller ..... D6/340  
2,702,584 A \* 2/1955 Williams ..... A47C 7/42  
297/124  
D292,852 S \* 11/1987 Rykken ..... D6/300  
4,995,668 A 2/1991 Zivari  
5,511,851 A 4/1996 Zivari  
D398,452 S \* 9/1998 Reddig ..... D6/338  
D428,713 S \* 8/2000 Arko ..... D6/336  
D441,209 S \* 5/2001 Hagstrom ..... D6/360  
D605,862 S \* 12/2009 Weeks ..... D6/338  
7,625,047 B2 12/2009 Bertele  
8,297,706 B2 10/2012 Matthews  
D685,585 S \* 7/2013 Udagawa ..... D6/338

FIG. 1 is a perspective view of a desk support with seat according to our new design, generally from an upper angle; FIG. 2 is a perspective view thereof, generally from a lower angle;

FIG. 3 is rear view thereof;

FIG. 4 is a front view thereof;

FIG. 5 is a left side view thereof;

FIG. 6 is a right side view thereof;

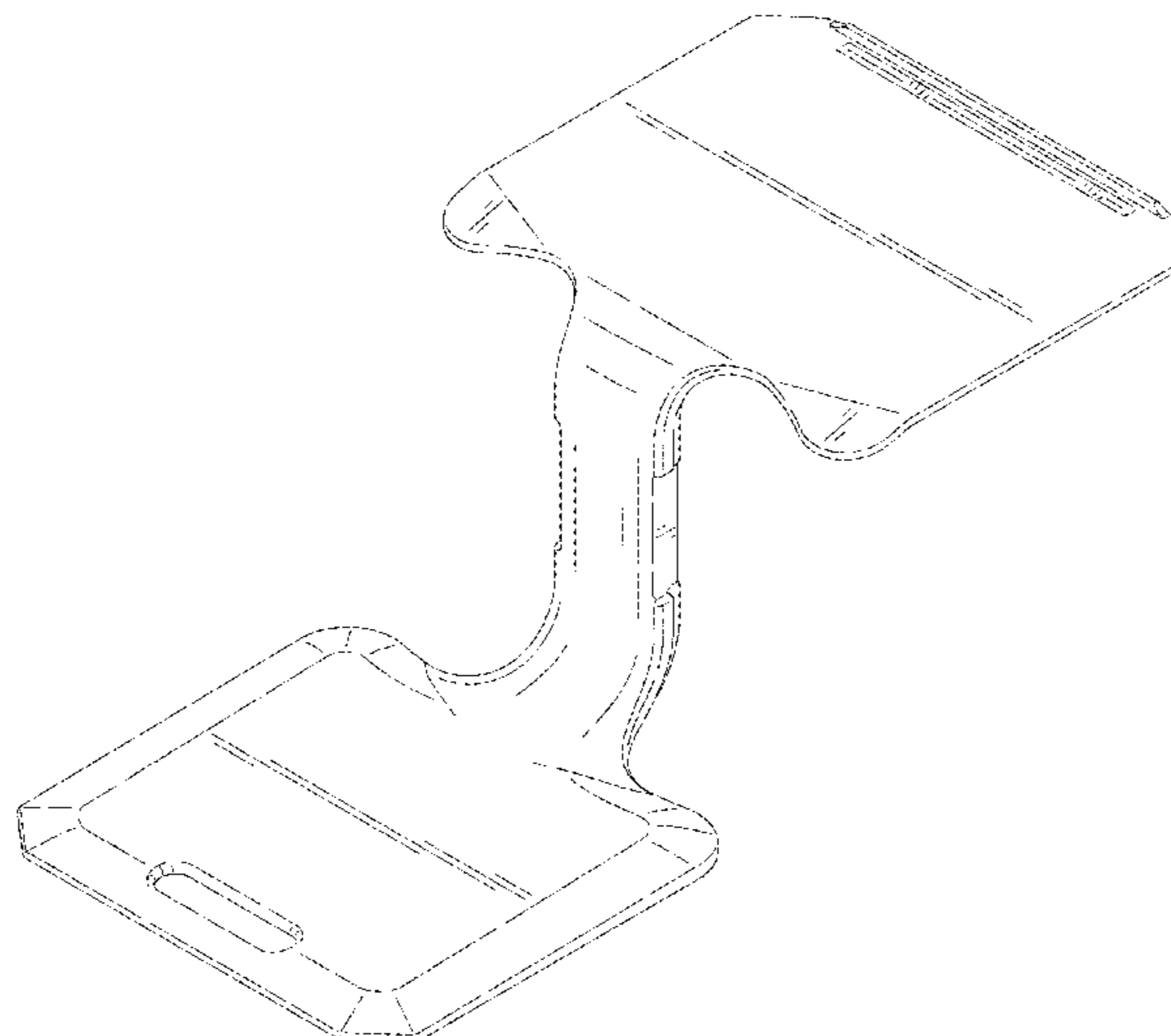
FIG. 7 is a top plan view thereof; and,

FIG. 8 is a bottom plan view thereof.

The broken lines in the various drawing figures show portions of the article that form no part of the claimed design.

(Continued)

**1 Claim, 8 Drawing Sheets**



(56)

**References Cited**

U.S. PATENT DOCUMENTS

D699,454 S \* 2/2014 Starck ..... D6/349  
D751,306 S \* 3/2016 Winningham ..... D6/336  
9,516,947 B2 12/2016 Taylor  
9,538,839 B2 1/2017 Favaro  
10,306,996 B1 6/2019 Sima  
10,368,638 B2 8/2019 Hui  
D905,455 S \* 12/2020 Fletcher ..... D6/340  
2013/0221710 A1 \* 8/2013 Udagawa ..... A47B 39/10  
297/174 R

OTHER PUBLICATIONS

Classroom Select NeoSync [online], [site visited Jun. 2, 2021].  
Available from internet, URL: <[https://www.schoolspecialty.com/ProductDisplay?top\\_category5=%5Bjava.lang.String%3B%401a9b8110&top\\_category4=%5Bjava.lang.String%3B%40bc794a10&top\\_category3=%5Bjava.lang.String%3B%40f5c3eb2d&urlRequestType=Base&productId=3074457345617555288&catalogId=10101&top\\_category2=%5Bjava.lang.String%3B%4089d11ab8&categoryId=3074457345616724946&errorViewName=ProductDisplayErrorView&urlLangId=-1&langId=-1&top\\_category=3074457345616724768&parent\\_category\\_rn=3074457345616724775&storeId=10801](https://www.schoolspecialty.com/ProductDisplay?top_category5=%5Bjava.lang.String%3B%401a9b8110&top_category4=%5Bjava.lang.String%3B%40bc794a10&top_category3=%5Bjava.lang.String%3B%40f5c3eb2d&urlRequestType=Base&productId=3074457345617555288&catalogId=10101&top_category2=%5Bjava.lang.String%3B%4089d11ab8&categoryId=3074457345616724946&errorViewName=ProductDisplayErrorView&urlLangId=-1&langId=-1&top_category=3074457345616724768&parent_category_rn=3074457345616724775&storeId=10801)> (Year: 2021).\*

\* cited by examiner

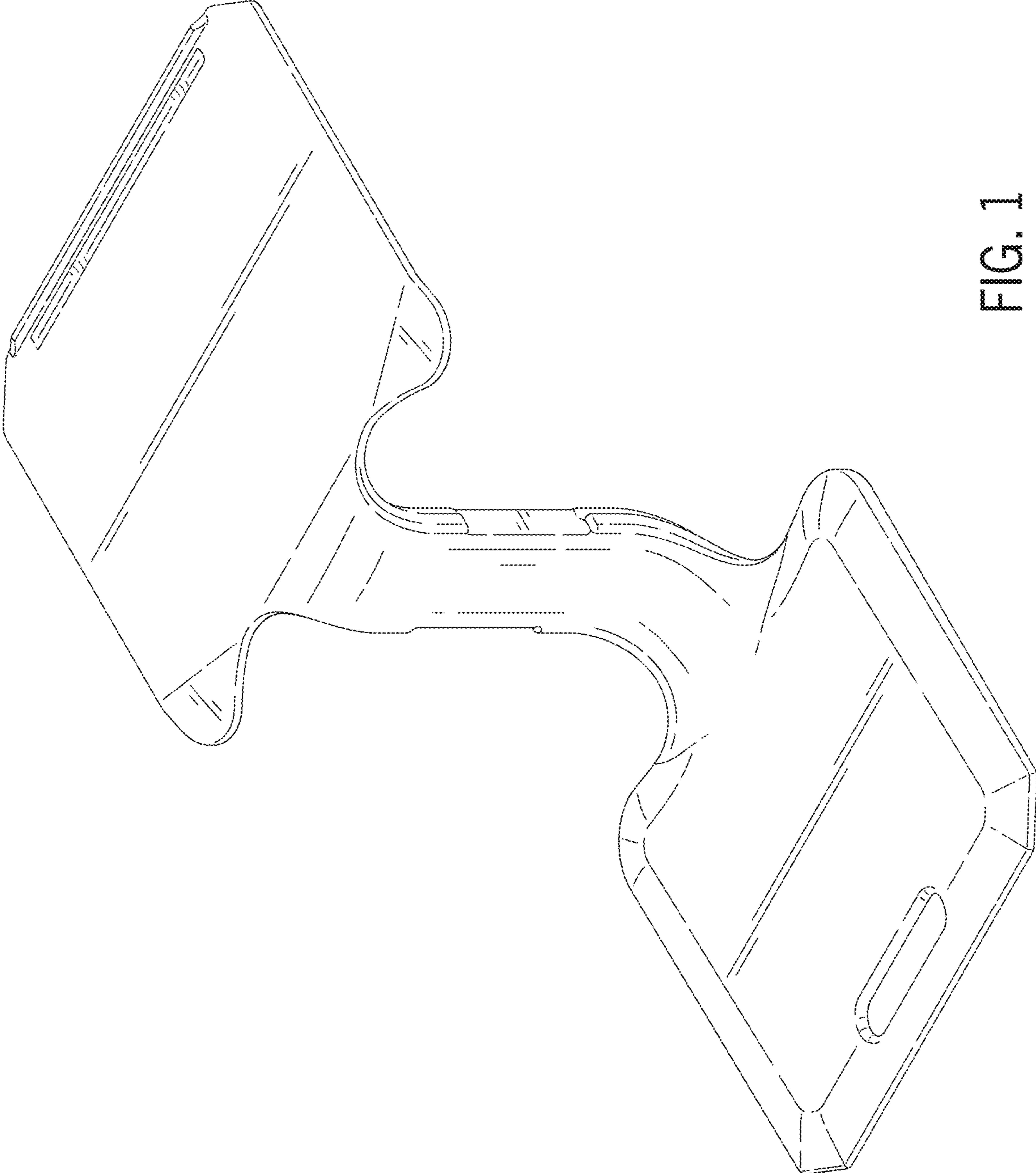


FIG. 1

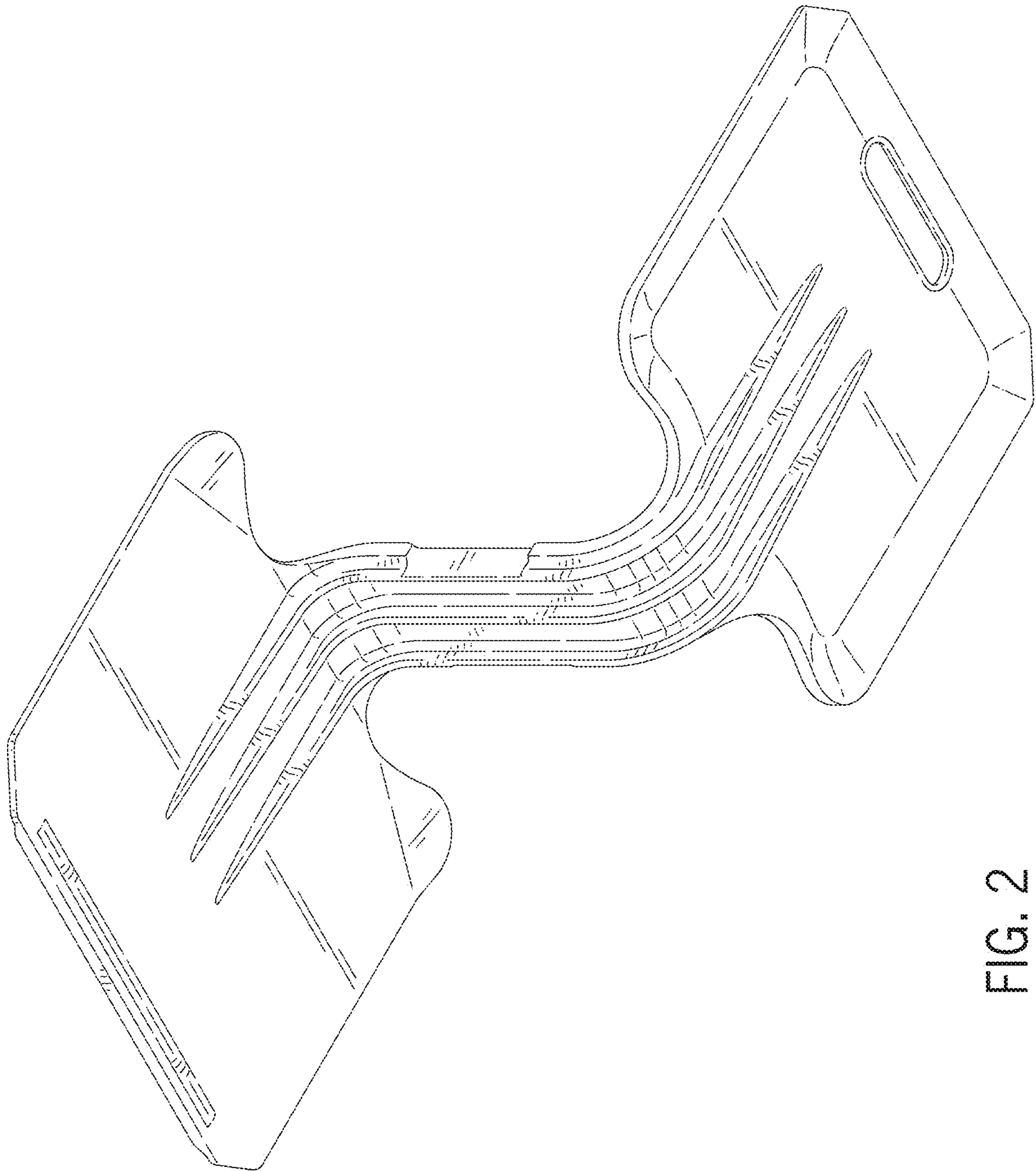


FIG. 2

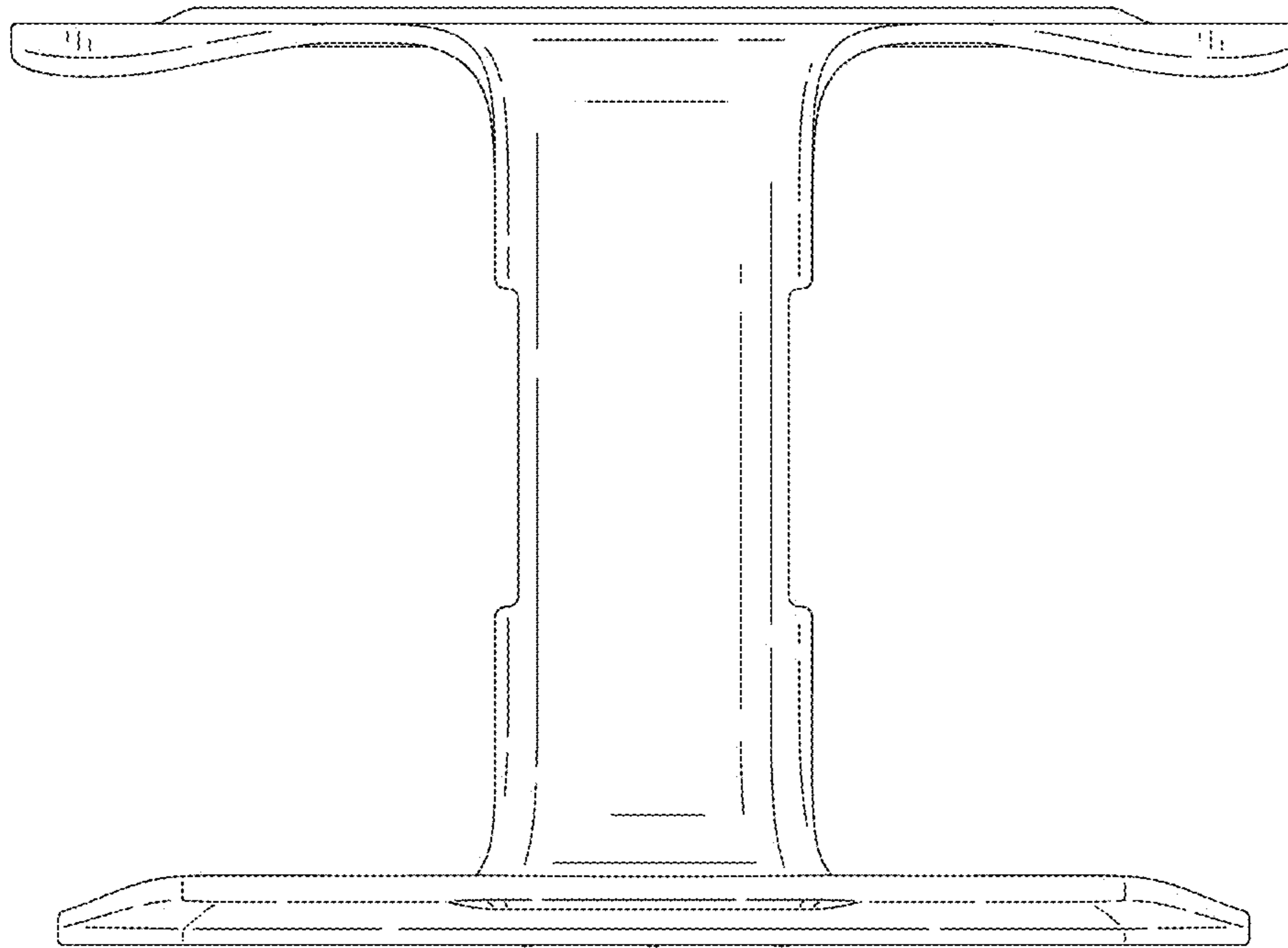


FIG. 3



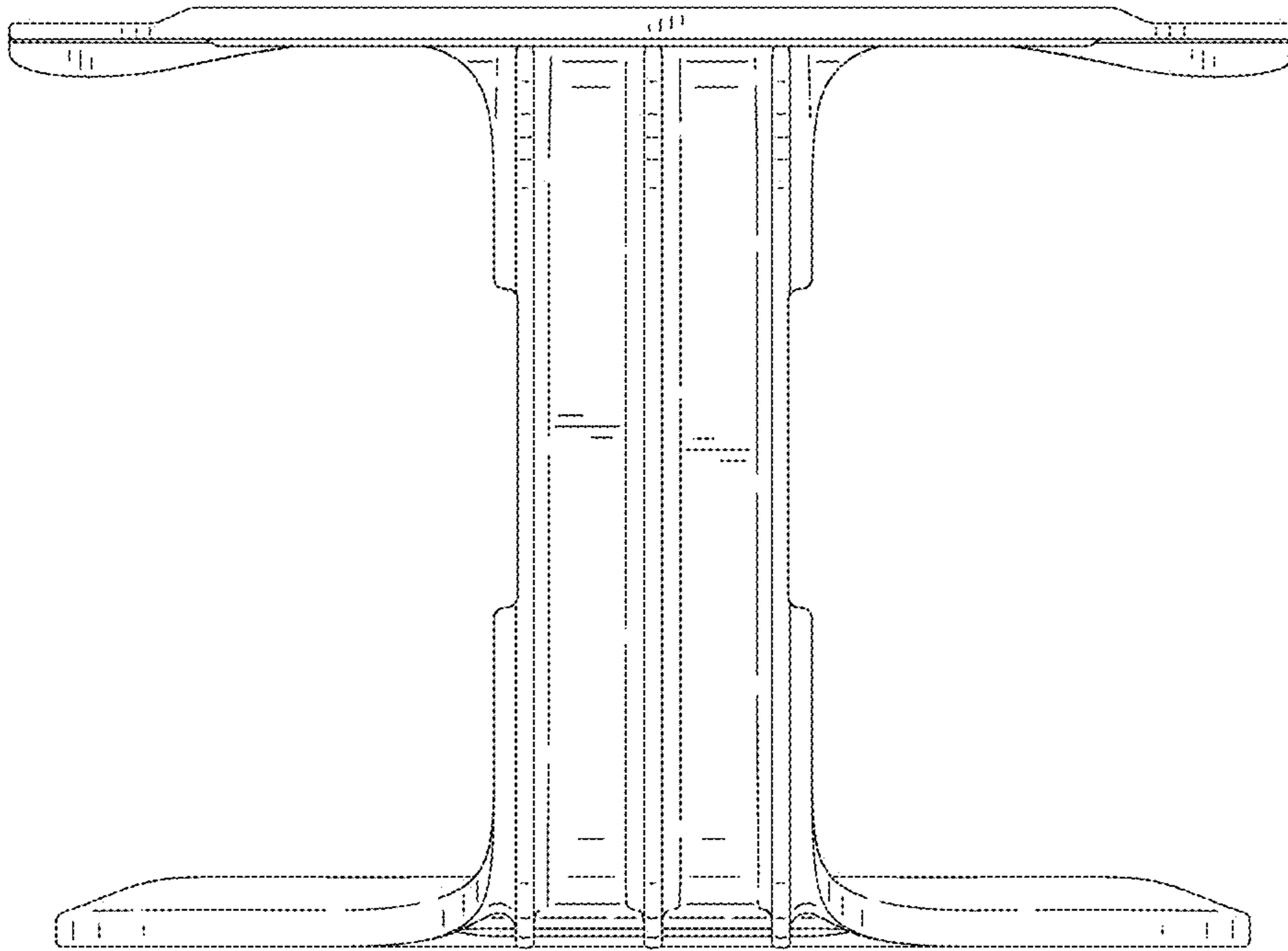


FIG. 4

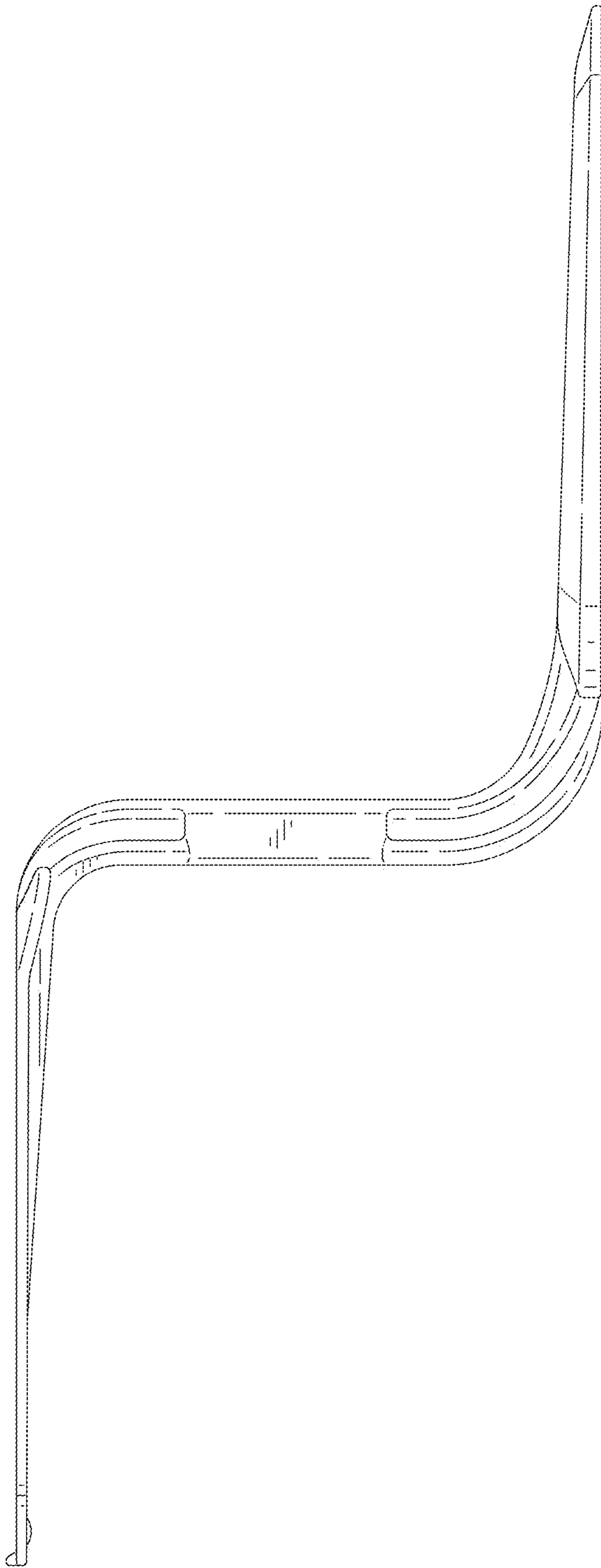


FIG. 5

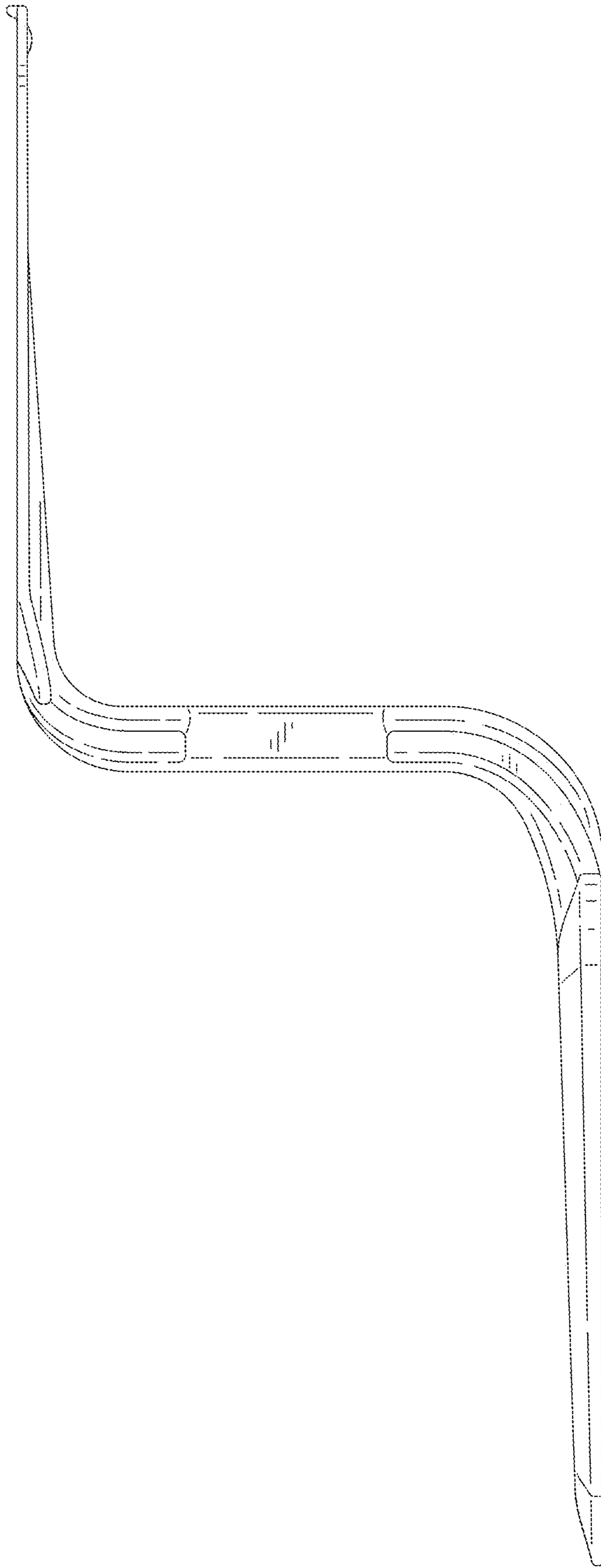


FIG. 6



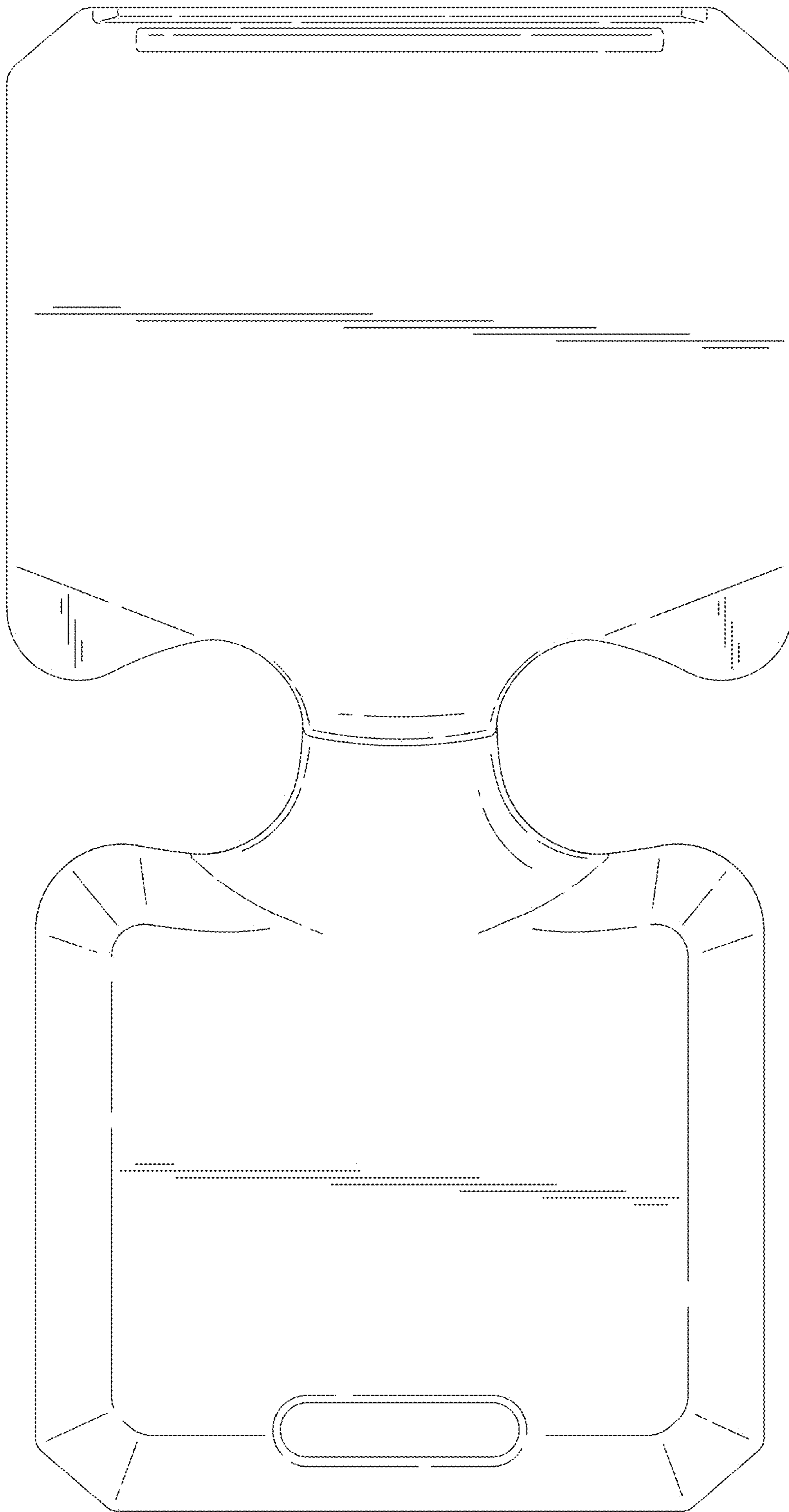


FIG. 7

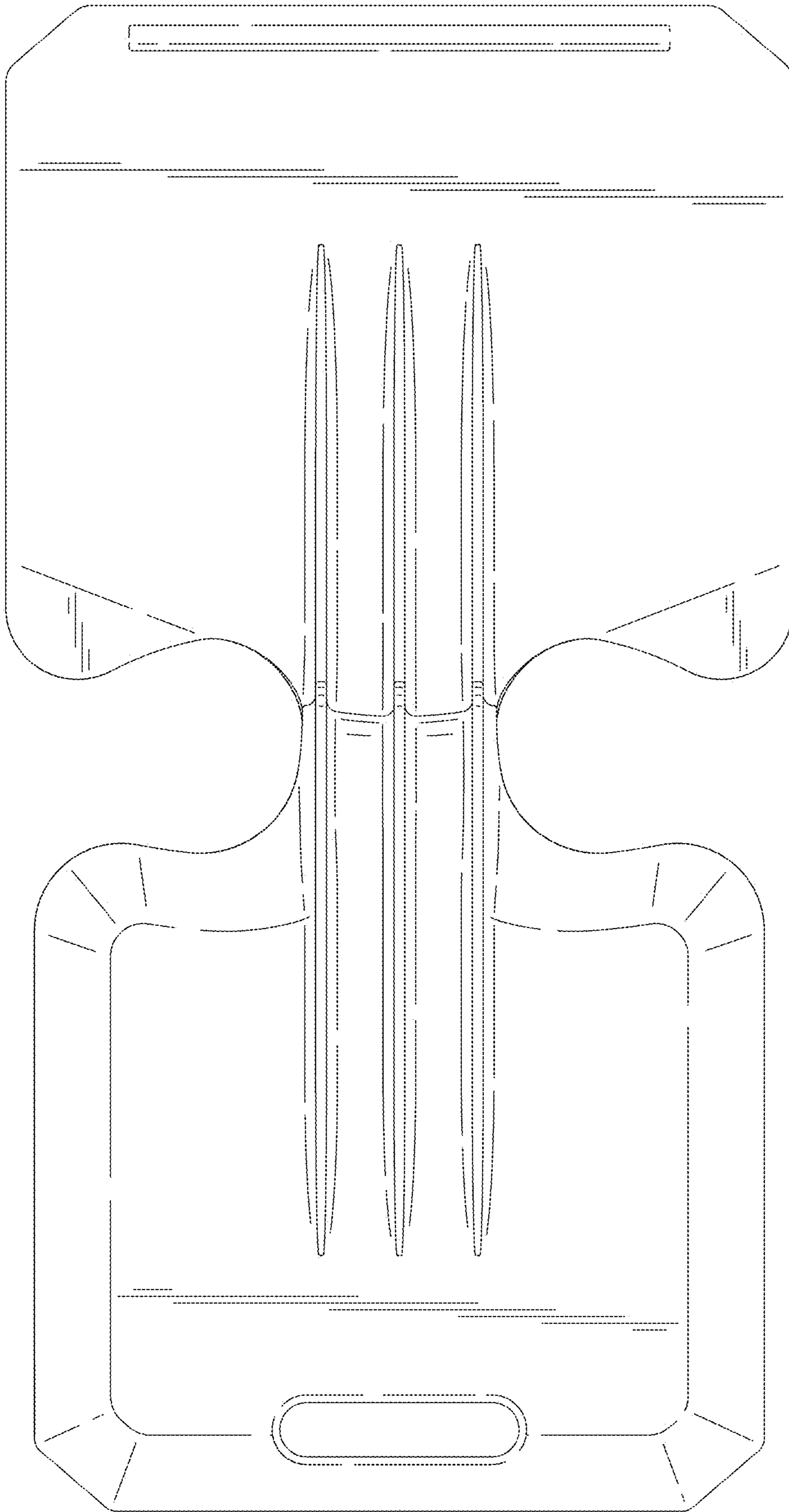


FIG. 8