



US00D928520S

(12) **United States Design Patent** (10) **Patent No.:** **US D928,520 S**  
**Norton** (45) **Date of Patent:** **\*\* Aug. 24, 2021**

(54) **COMBINED BENCH AND TABLE**  
(71) Applicant: **M. Brent Norton**, Provo, UT (US)  
(72) Inventor: **M. Brent Norton**, Provo, UT (US)  
(\*\*) Term: **15 Years**  
(21) Appl. No.: **29/677,964**  
(22) Filed: **Jan. 24, 2019**  
(51) **LOC (13) Cl.** ..... **06-01**  
(52) **U.S. Cl.**  
USPC ..... **D6/335; D6/336**  
(58) **Field of Classification Search**  
USPC ..... D6/334, 335, 336, 338, 342, 367, 368,  
D6/370, 381  
CPC ..... A47C 11/00; A47C 13/00; A47C 13/005;  
A47B 85/00; A47B 85/04  
See application file for complete search history.

(56) **References Cited**  
U.S. PATENT DOCUMENTS  
2,561,703 A \* 7/1951 Koenig ..... A47C 13/00  
297/121  
2,882,957 A \* 4/1959 Anderson ..... A47C 13/00  
297/124  
4,194,784 A \* 3/1980 Dostal ..... A47B 83/02  
297/126  
4,615,559 A \* 10/1986 Blondeau ..... A47B 3/14  
297/124  
D435,736 S \* 1/2001 Chrisco ..... D6/336  
6,189,965 B1 \* 2/2001 Hecht ..... A47B 85/00  
297/124  
D439,422 S \* 3/2001 Hecht ..... D6/336  
6,231,121 B1 \* 5/2001 Chrisco ..... A47B 85/04  
297/124  
6,241,312 B1 \* 6/2001 Watts ..... A47B 3/14  
297/125

(Continued)

**OTHER PUBLICATIONS**

Gen II XL Designer Series Convert A Bench [online], [site visited Apr. 22, 2020]. Available from internet, URL: <https://convertabench.com/products/convert-a-bench-generation-2> (Year: 2020).\*

*Primary Examiner* — Cynthia Ramirez  
*Assistant Examiner* — Xavier Marti-Santos  
(74) *Attorney, Agent, or Firm* — David B. Tingey; Bryant J. Keller; Kirton McConkie

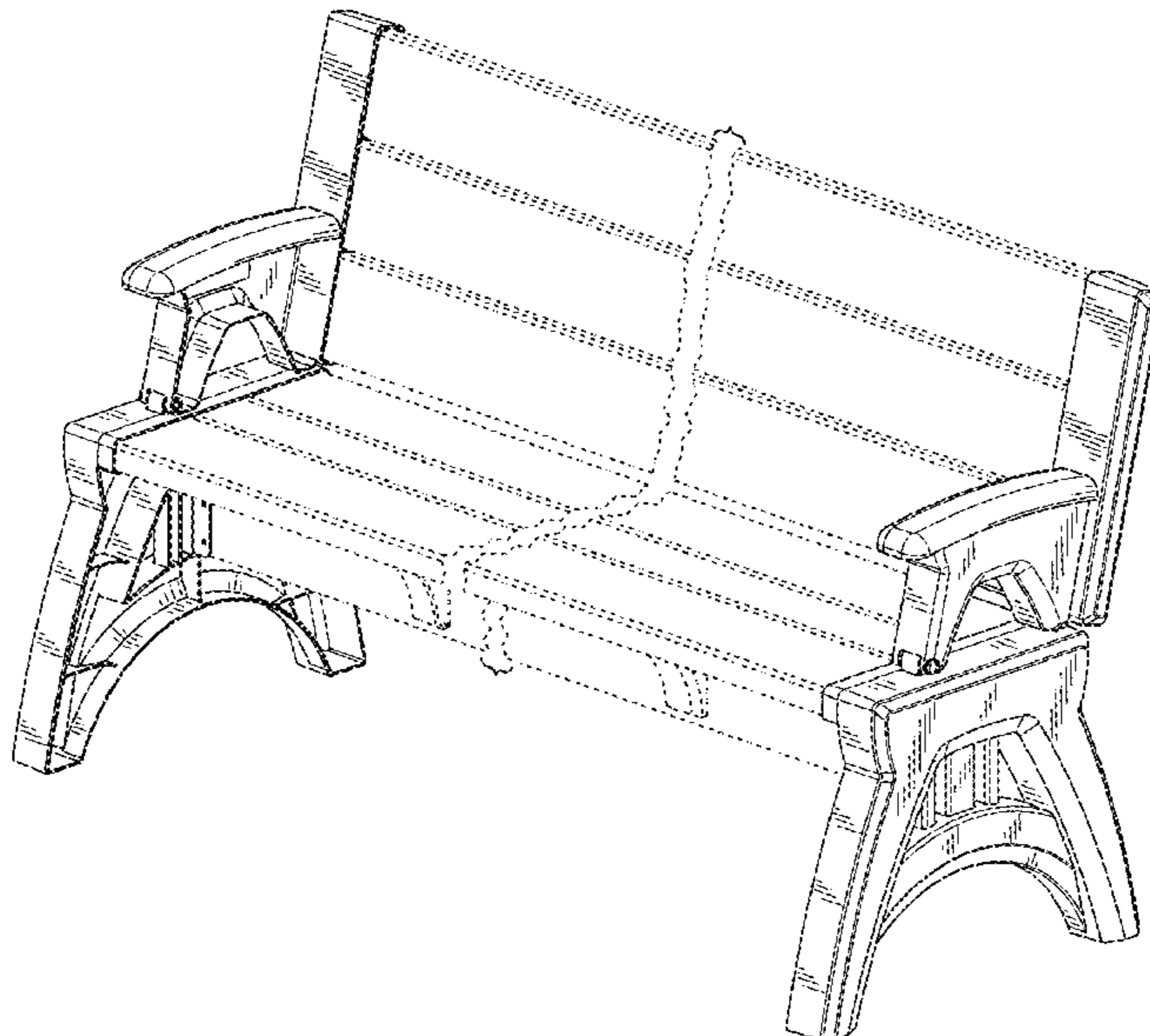
(57) **CLAIM**

The ornamental design for a combined bench and table, as shown and described.

**DESCRIPTION**

FIG. 1 is a front, left perspective view of a combined bench and table, showing my new design in a first position; FIG. 2 is a front elevation view thereof; FIG. 3 is a rear elevation view thereof; FIG. 4 is a right elevation view thereof; FIG. 5 is a left elevation view thereof; FIG. 6 is a top plan view thereof; FIG. 7 is a bottom plan view thereof; FIG. 8 is a back, right perspective view of the combined bench and table, showing my new design in a second position; FIG. 9 is a front elevation view thereof; FIG. 10 is a rear elevation view thereof; FIG. 11 is a right elevation view thereof; FIG. 12 is a left elevation view thereof; FIG. 13 is a top plan view thereof; FIG. 14 is a bottom plan view thereof; and, FIG. 15 is a perspective view showing the combined bench and table in condition of use. The broken lines in the drawings are to depict portions of the combined bench and table that form no part of the claimed design. The additional broken lines shown in FIG. 15 are to show environment and form no part of the claimed design.

**1 Claim, 9 Drawing Sheets**



(56)

**References Cited**

U.S. PATENT DOCUMENTS

D470,666 S \* 2/2003 Peloquin ..... D6/336  
6,659,543 B2 \* 12/2003 McCutcheon ..... A47B 85/04  
297/127

\* cited by examiner

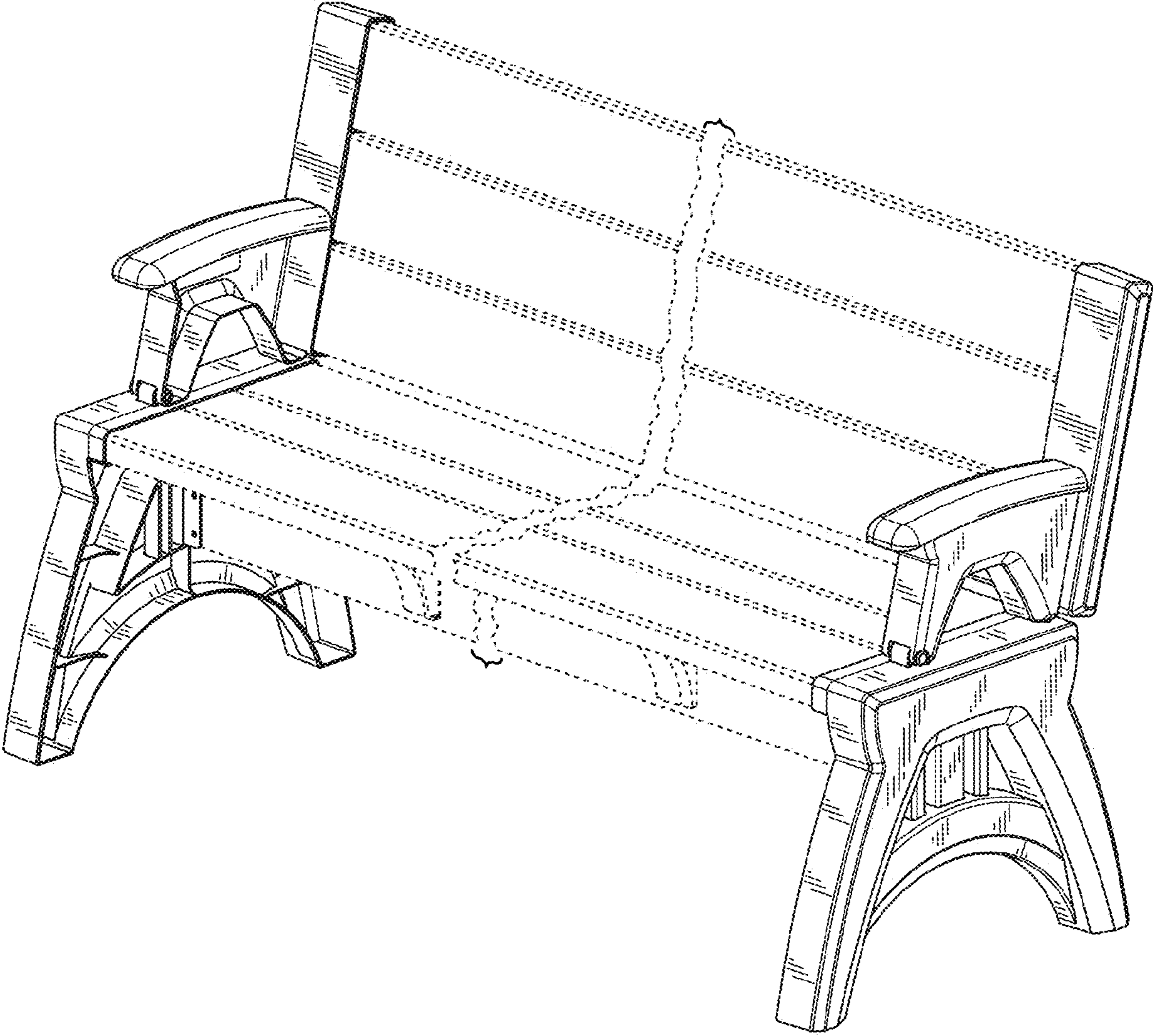


FIG. 1

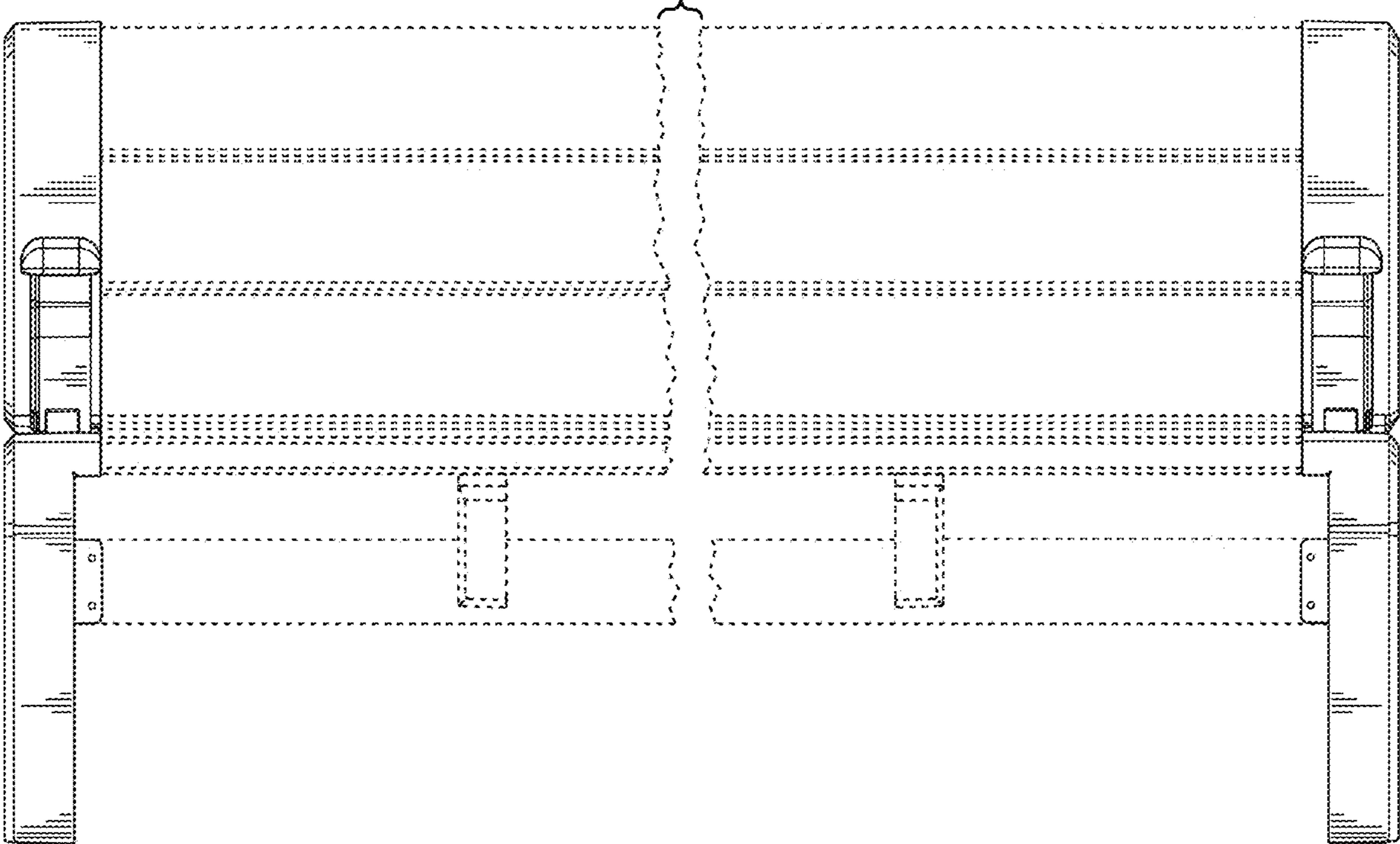


FIG. 2

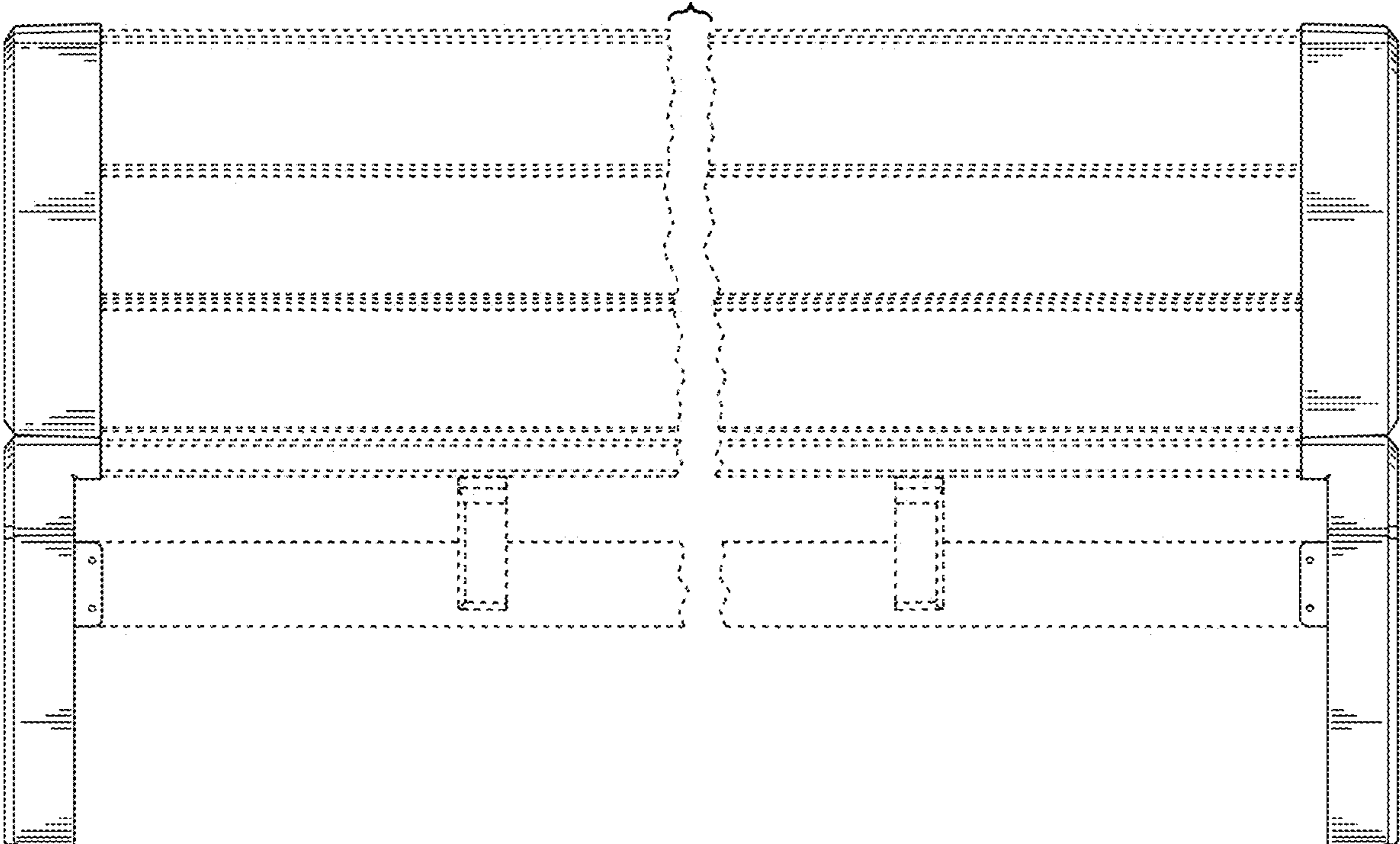


FIG. 3

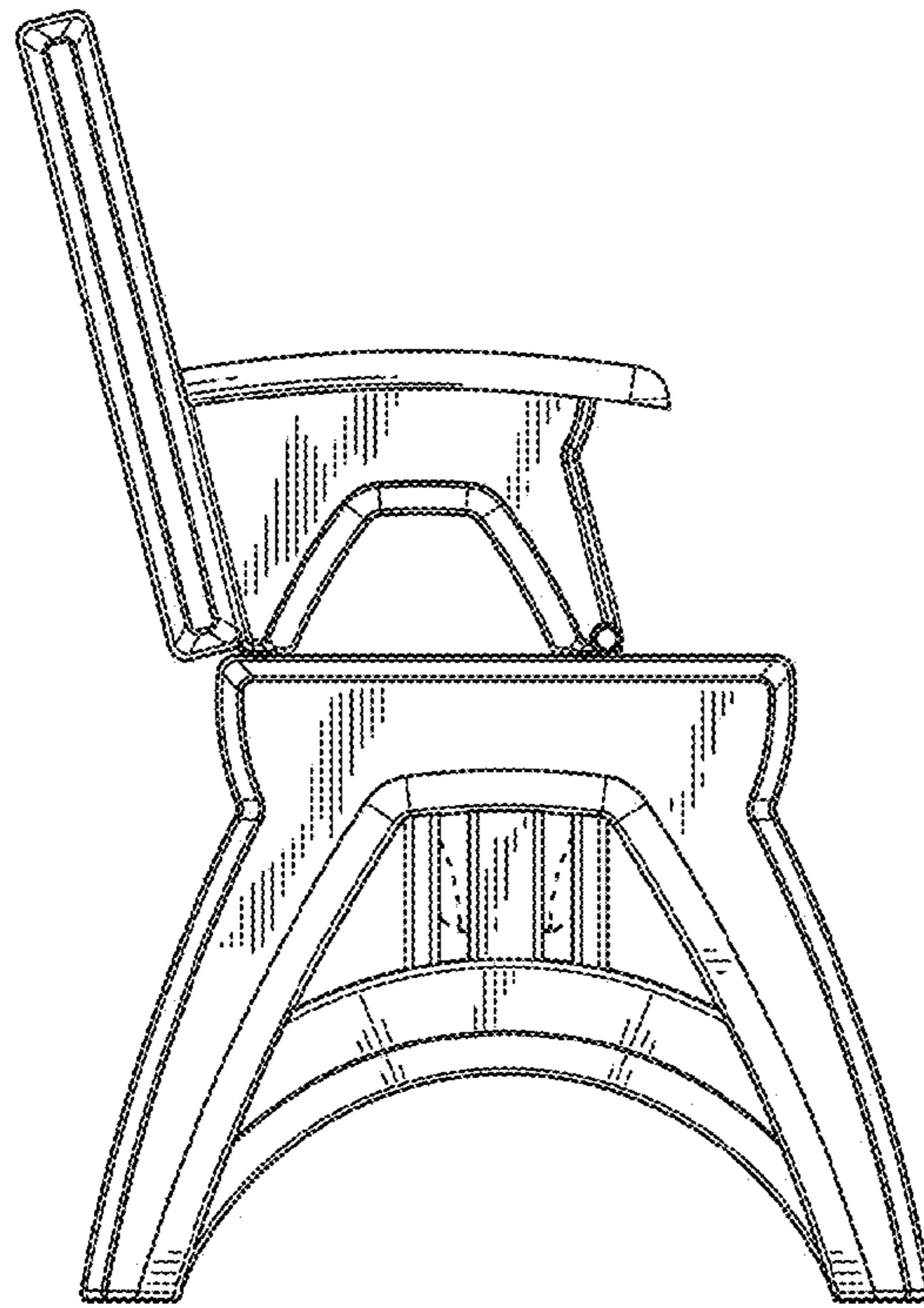


FIG. 4

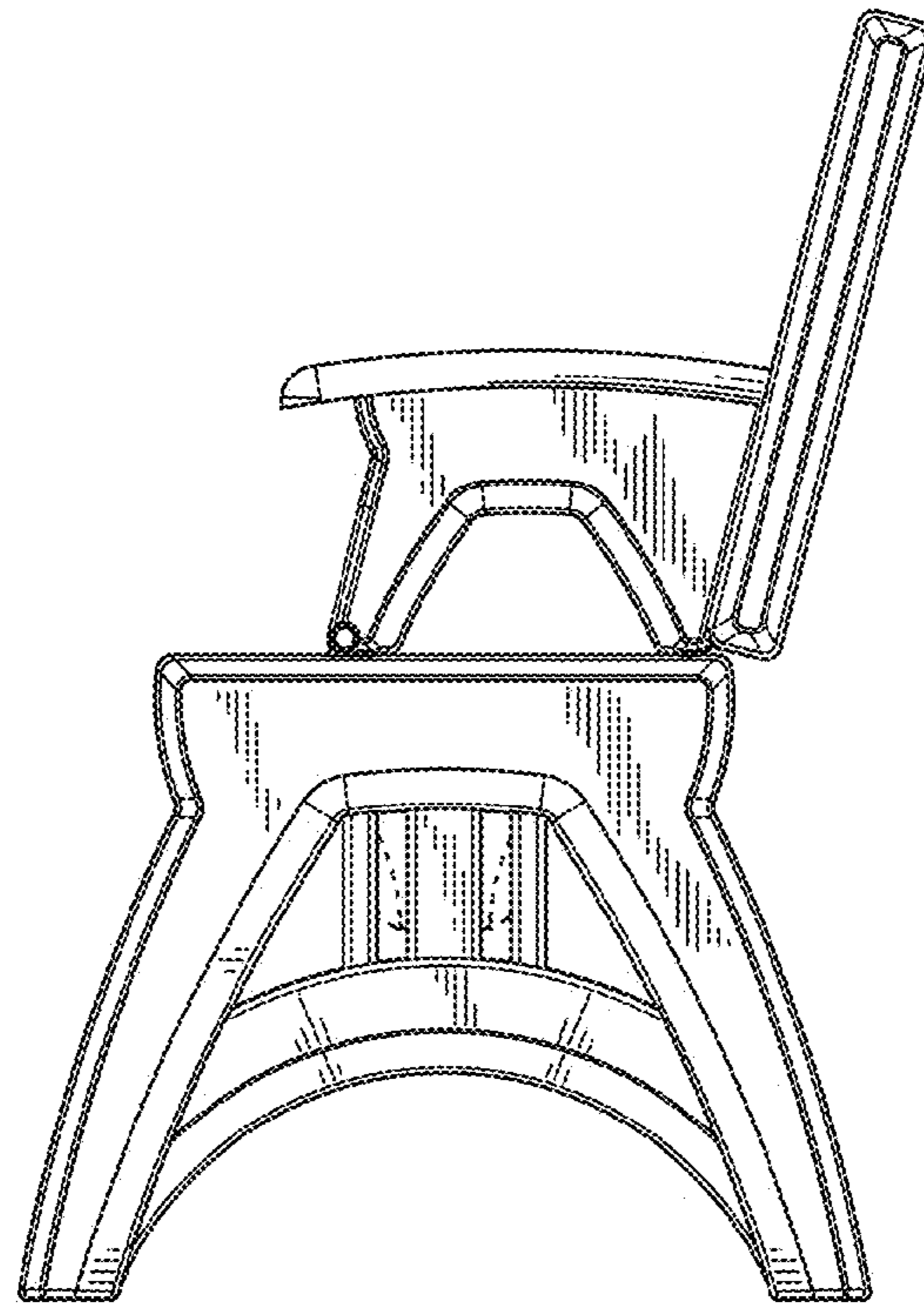


FIG. 5

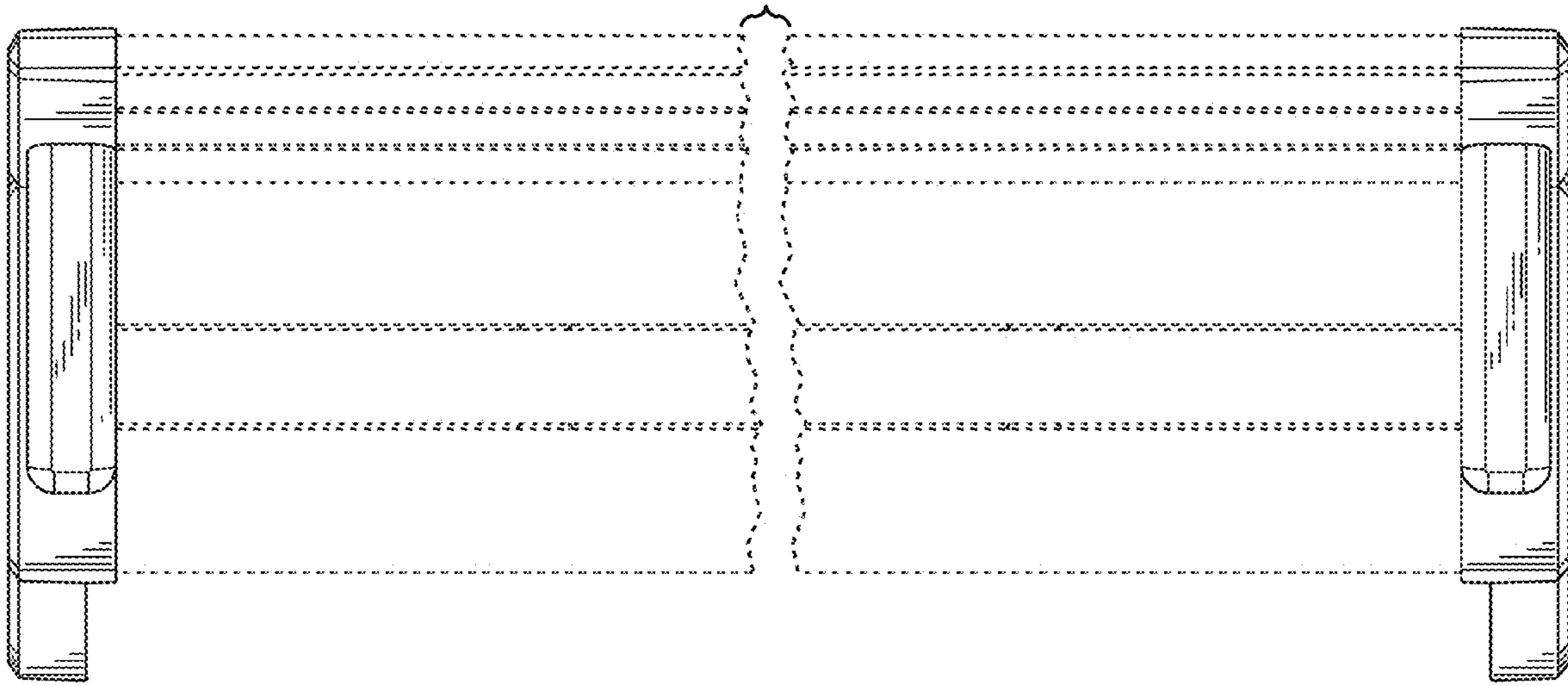


FIG. 6

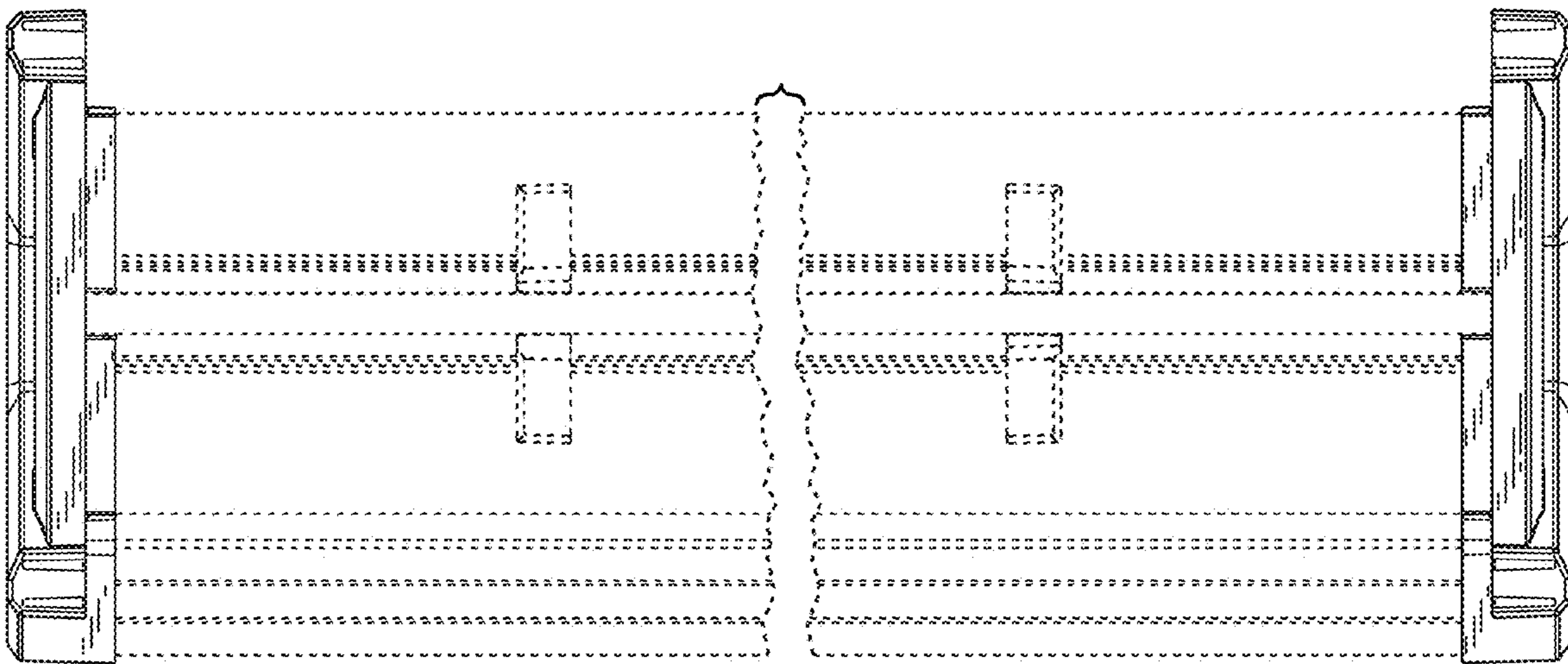


FIG. 7

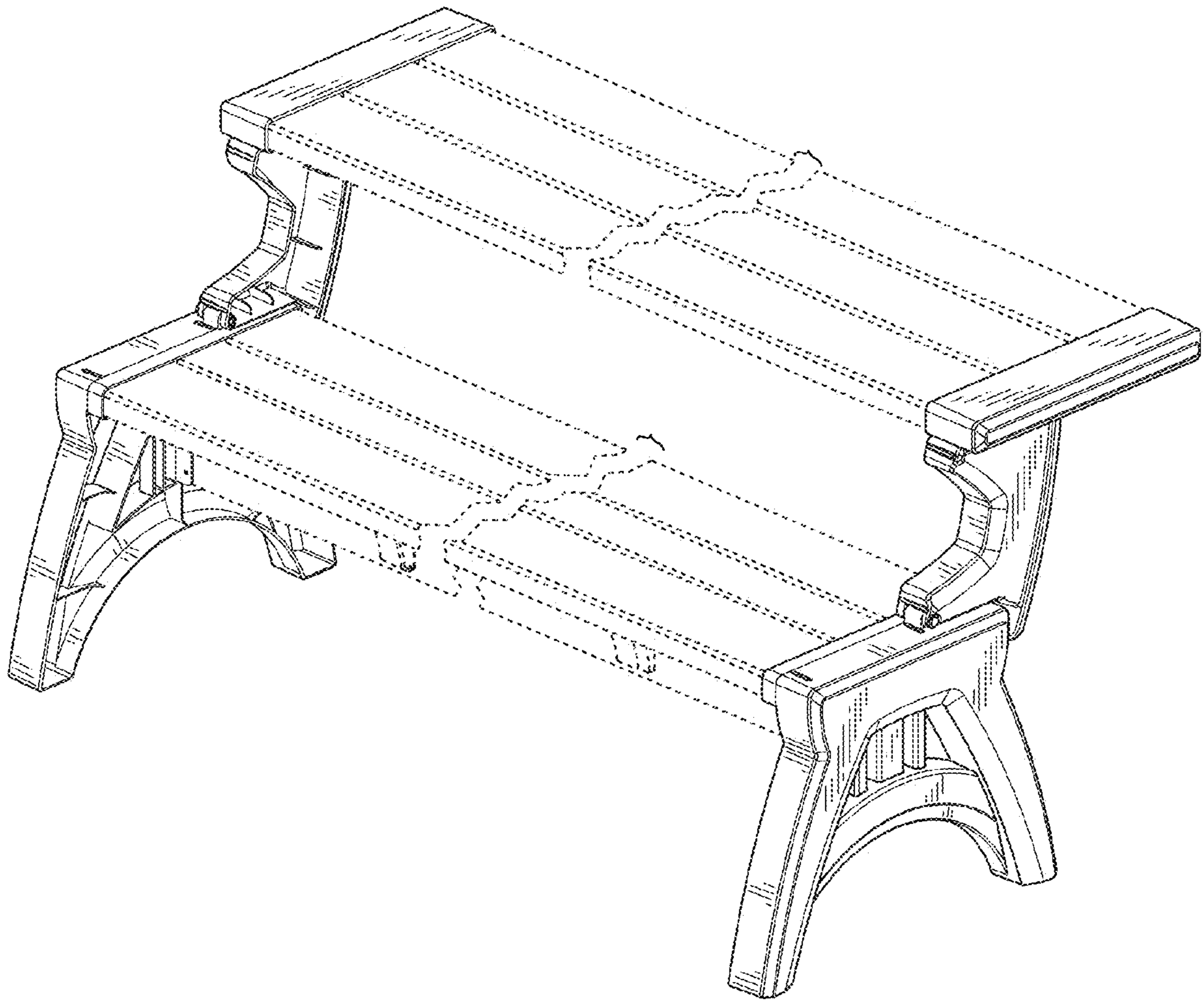


FIG. 8

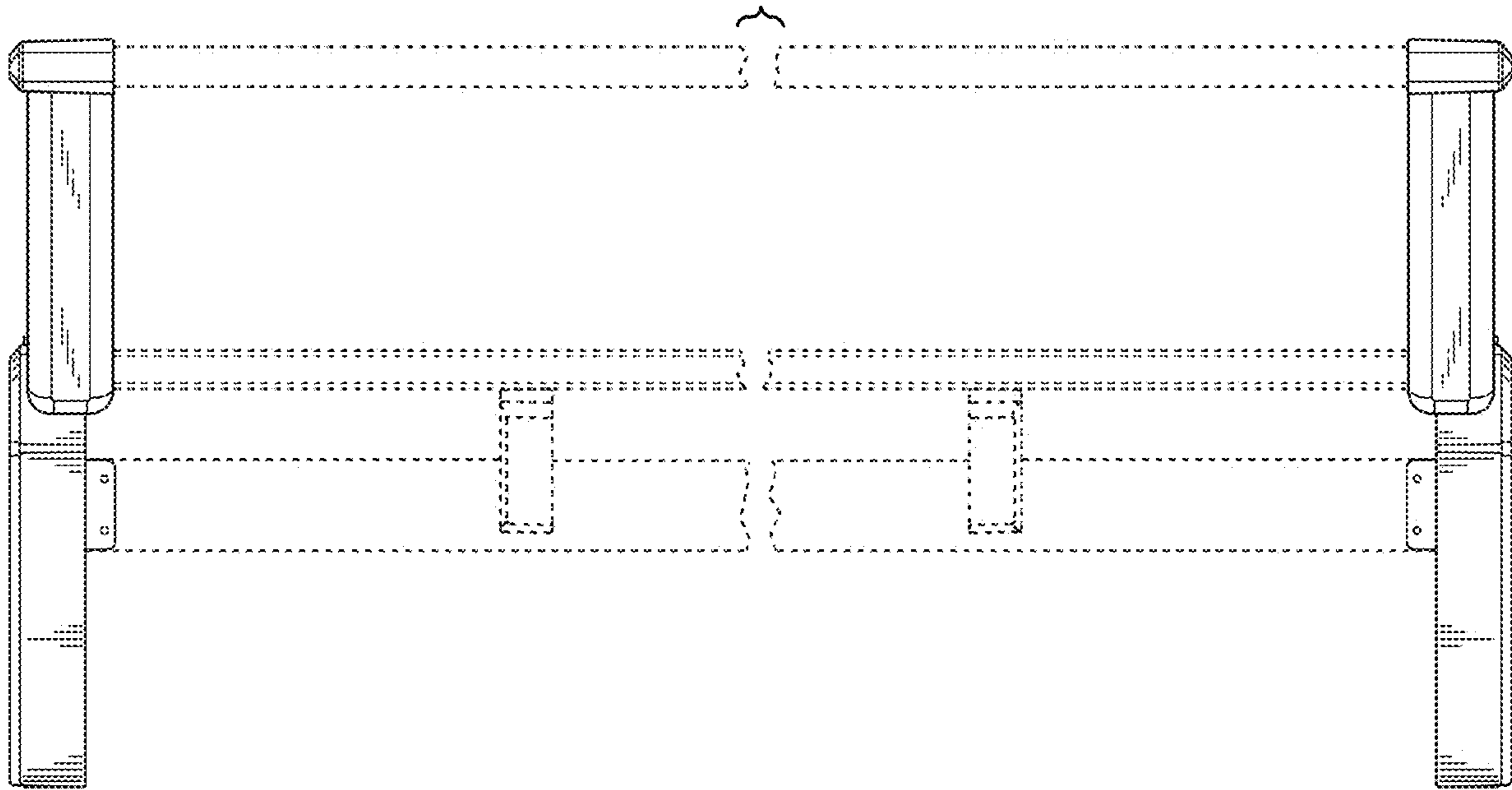


FIG. 9

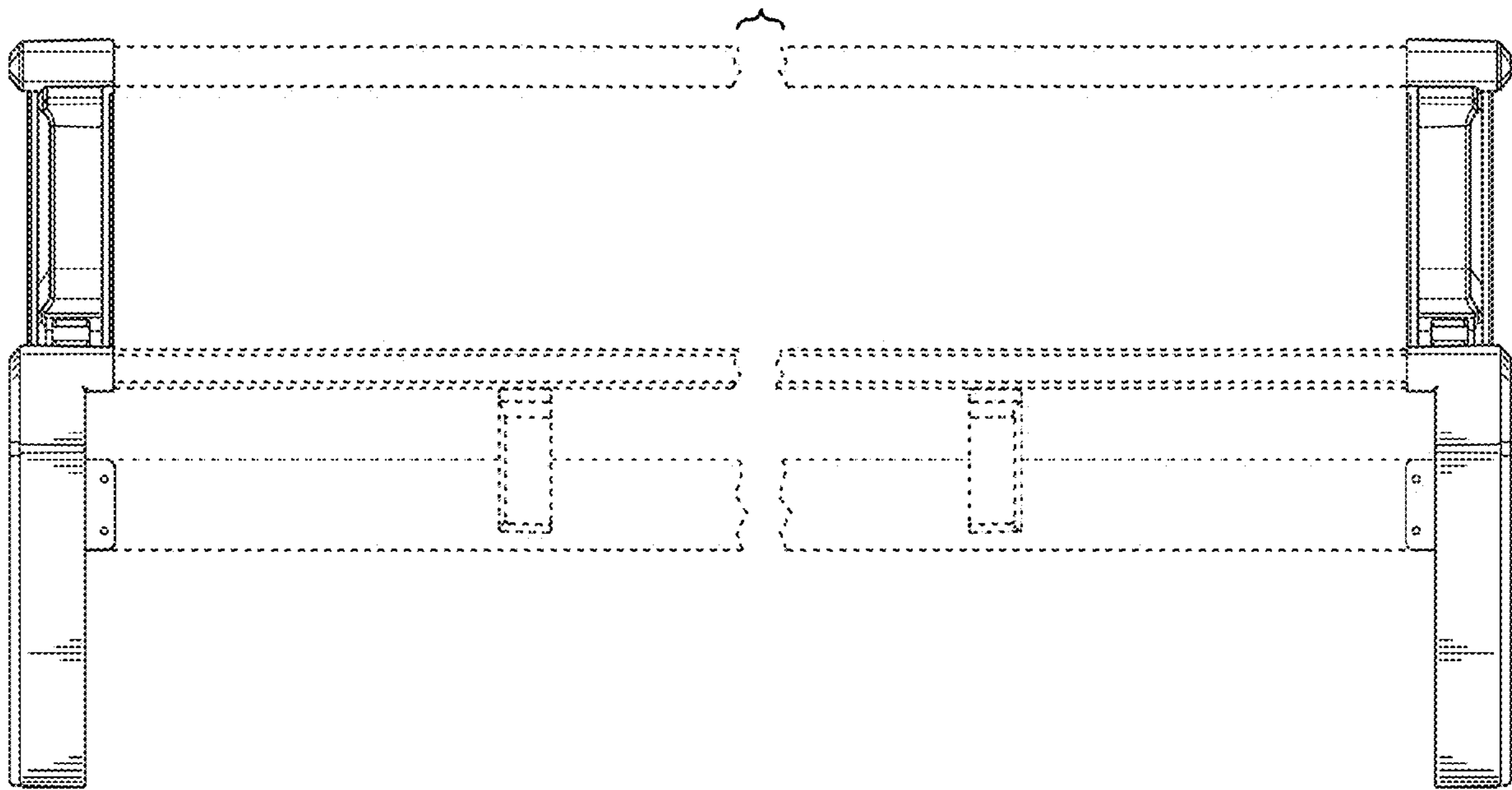


FIG. 10



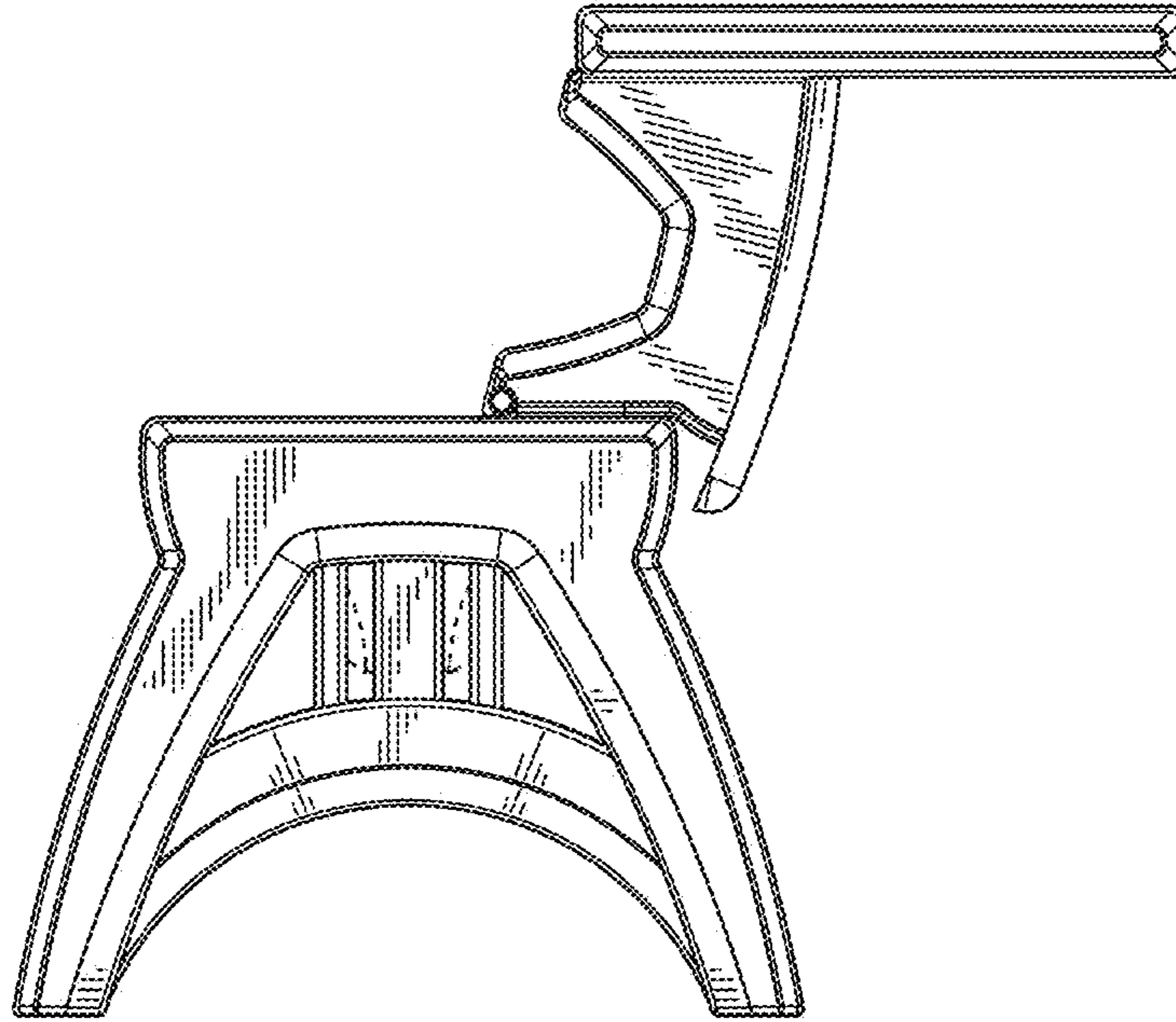


FIG. 11

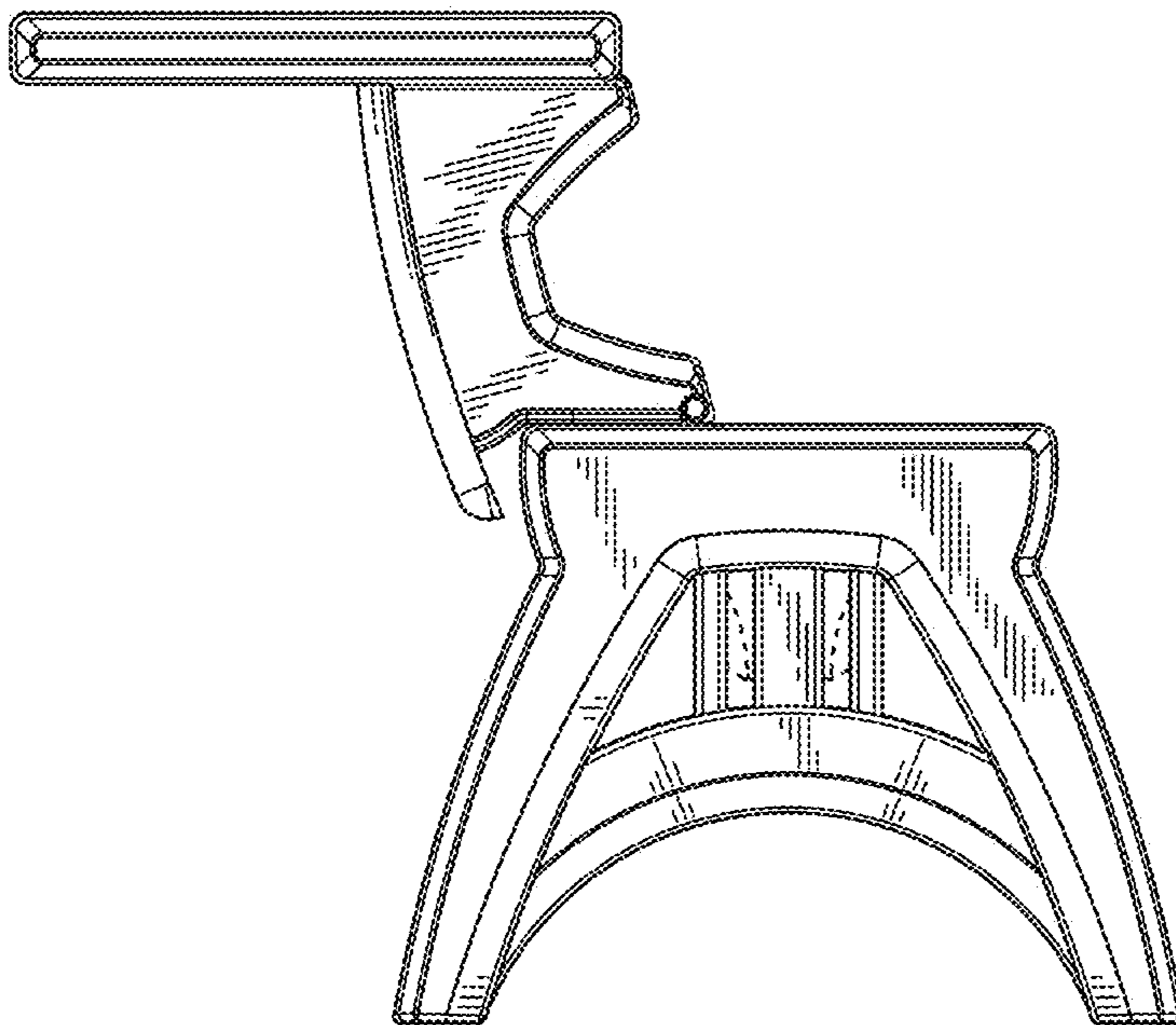


FIG. 12

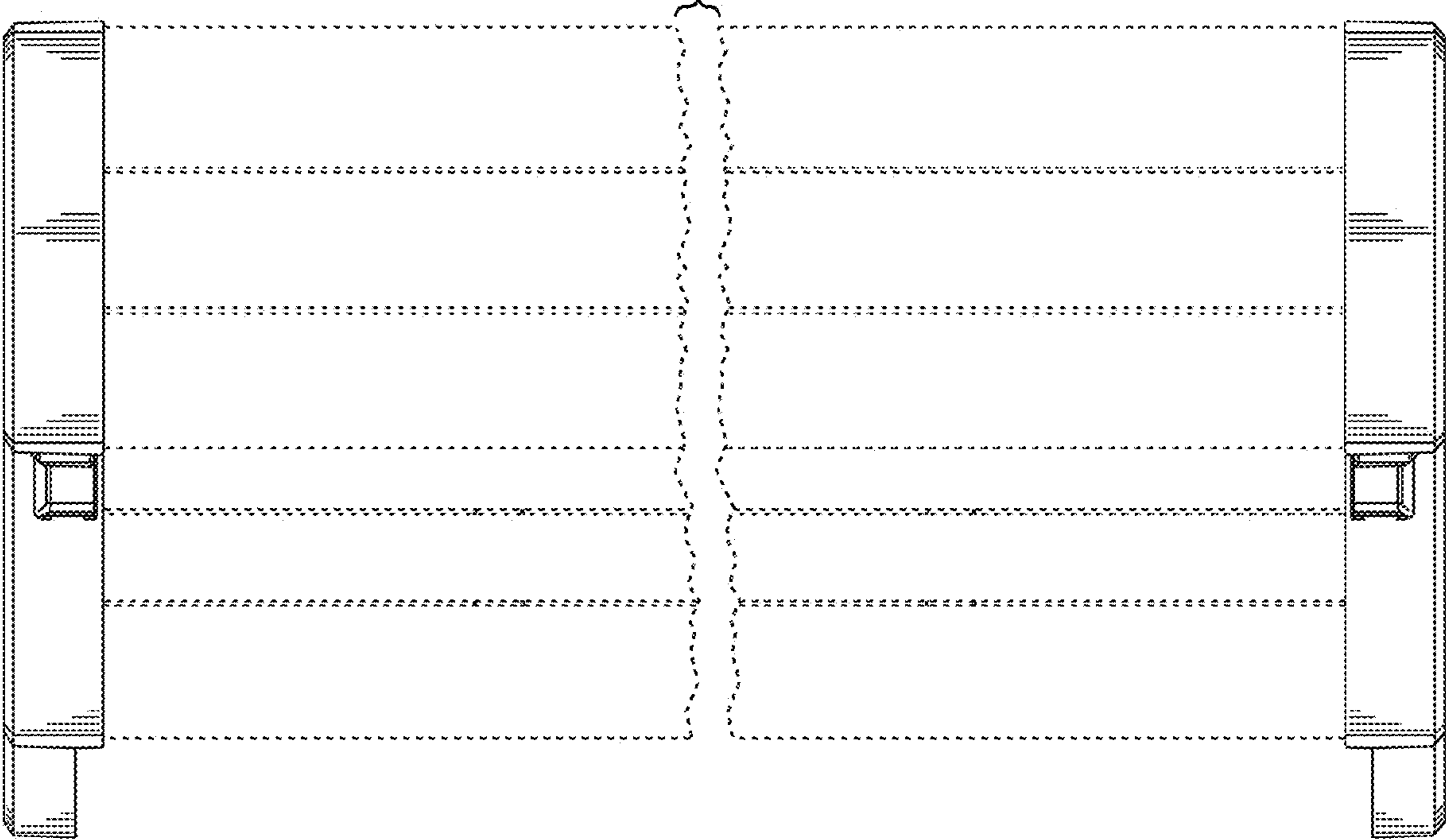


FIG. 13

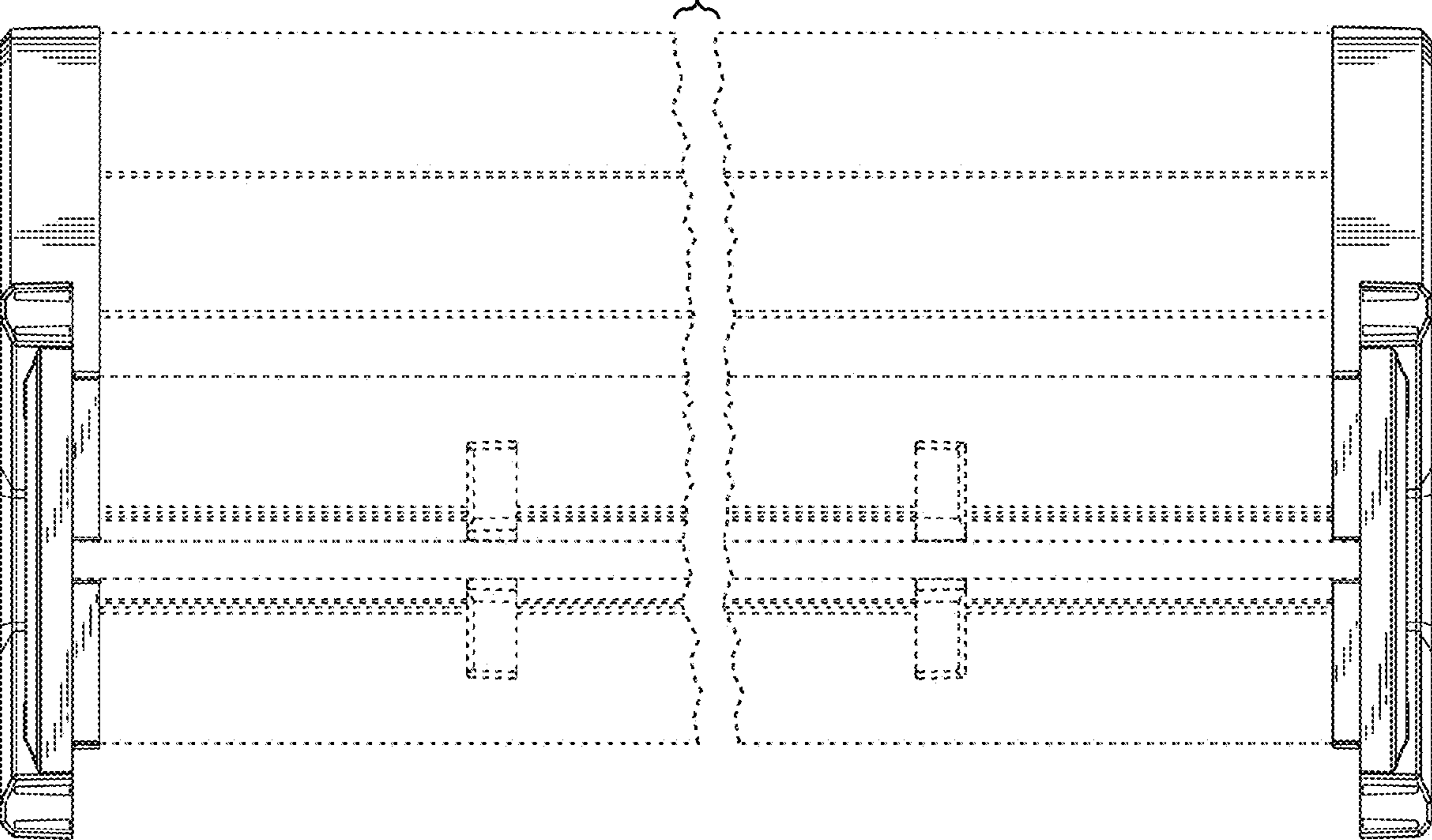


FIG. 14

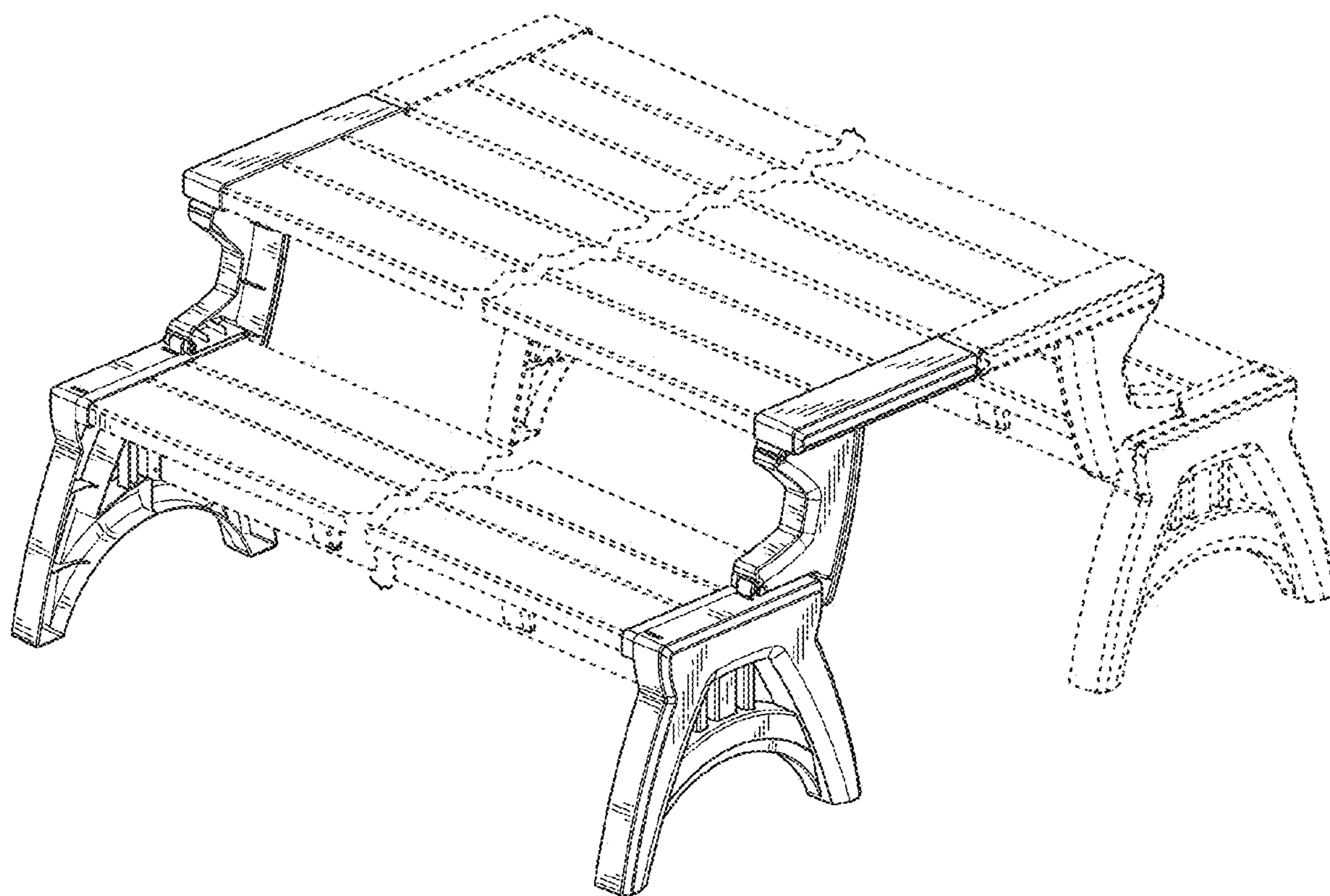


FIG. 15