



US00D928518S

(12) **United States Design Patent** (10) **Patent No.:** **US D928,518 S**  
**Losness et al.** (45) **Date of Patent:** **\*\* Aug. 24, 2021**

- (54) **COORDINATE HANGER HOOP** 5,273,334 A \* 12/1993 Schopfer ..... B65D 73/0071  
294/137
- (71) Applicant: **TARGET BRANDS, INC.,** D365,978 S 1/1996 Rekuc et al.  
Minneapolis, MN (US) 5,695,234 A 12/1997 Coticchio et al.  
5,797,640 A \* 8/1998 Schopfer ..... B65D 73/0071  
294/152
- (72) Inventors: **Laurie Losness**, Coon Rapids, MN 5,806,904 A 9/1998 Smith  
(US); **Richard P. Riedel**, Blaine, MN 5,878,853 A 3/1999 DeRouen et al.  
(US); **Terrence J. Hornsby, Jr.**, D448,986 S 10/2001 Cook et al.  
Minneapolis, MN (US) 6,349,862 B1 2/2002 Smith et al.  
D463,124 S 9/2002 Godshaw et al.  
D469,964 S 2/2003 Gouldson  
6,578,231 B1 6/2003 Godshaw et al.  
6,688,502 B2 \* 2/2004 Kunreuther ..... A47G 25/186  
223/85
- (73) Assignee: **TARGET BRANDS, INC.,**  
Minneapolis, MN (US)
- (\*\*) Term: **15 Years** D503,287 S 3/2005 Gouldson  
2005/0284899 A1 \* 12/2005 Fleming ..... A47G 25/16  
223/85

(21) Appl. No.: **29/712,112**

(Continued)

(22) Filed: **Nov. 5, 2019**

OTHER PUBLICATIONS

(51) **LOC (13) Cl.** ..... **06-08**

U.S. Appl. No. 16/545,810, Riedel, Richard P., filed Aug. 20, 2019 (54 pages).

(52) **U.S. Cl.**

USPC ..... **D6/328**

(58) **Field of Classification Search**

USPC ..... D6/315-328  
CPC .... A47G 25/186; A47G 25/16; A47G 25/481;  
A47G 25/442; A47G 25/1442; A41D  
27/22

See application file for complete search history.

*Primary Examiner* — Lauren R Calve

(74) *Attorney, Agent, or Firm* — JoAnn M. Seaton;  
Griffiths & Seaton PLLC

(57) **CLAIM**

The ornamental design for a coordinate hanger hoop, as shown and described.

(56) **References Cited**

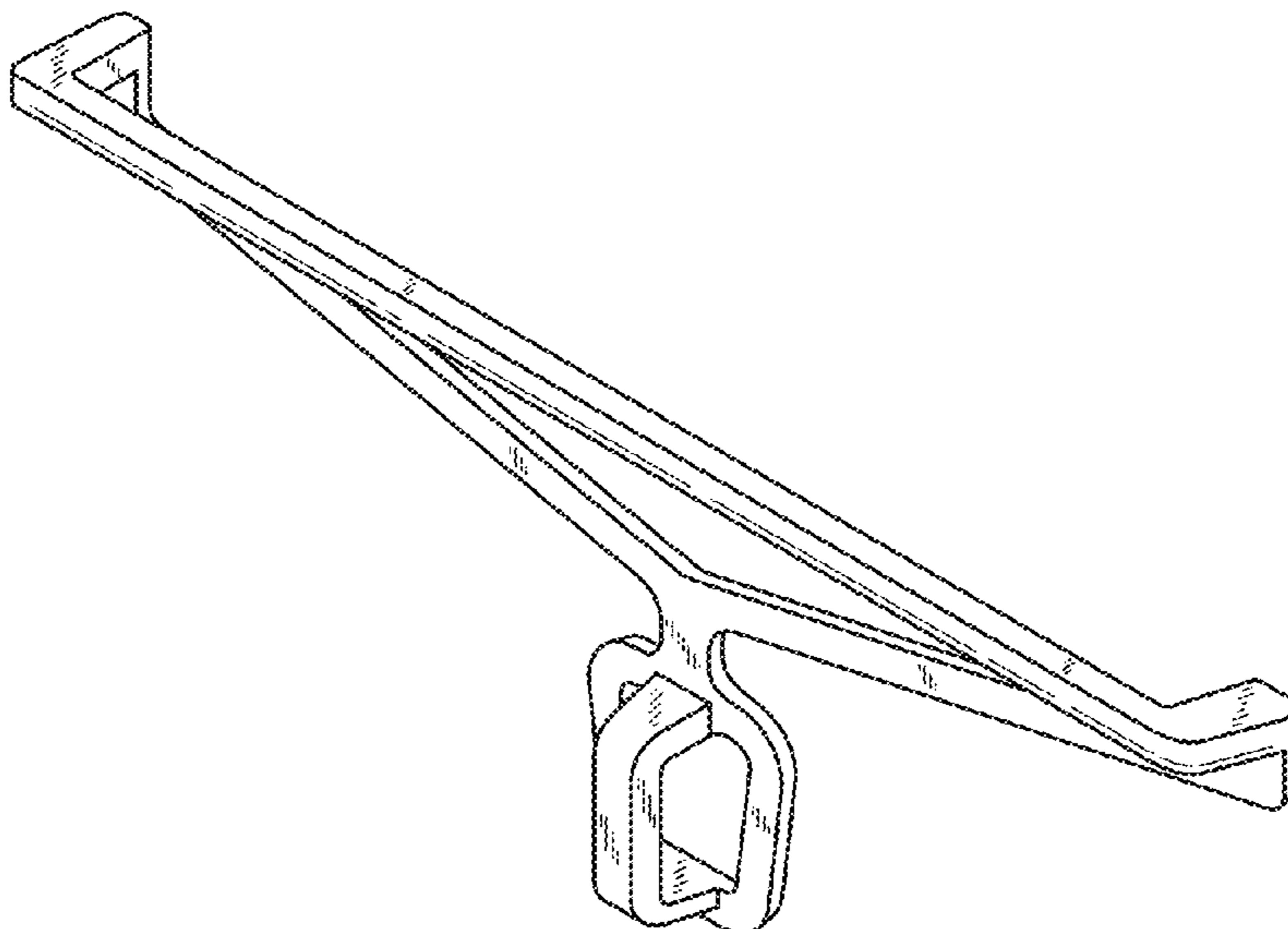
**DESCRIPTION**

U.S. PATENT DOCUMENTS

- 2,753,143 A \* 7/1956 Berlt ..... A47G 25/186  
248/317
- 3,606,967 A 9/1971 Roberts
- 3,692,218 A 9/1972 Friedman
- D234,243 S \* 2/1975 Lindemann ..... D6/328
- 4,112,541 A 9/1978 Tetradis
- 4,558,896 A \* 12/1985 Farnworth ..... A45F 5/1026  
294/156
- 4,696,505 A 9/1987 Shadoan
- 5,029,739 A \* 7/1991 Blanchard ..... A47G 25/16  
223/88

FIG. 1 is a front perspective view of a coordinate hanger hoop, showing our new design;  
FIG. 2 is a front view thereof;  
FIG. 3 is a rear view thereof;  
FIG. 4 is a right side view thereof;  
FIG. 5 is a left side view thereof;  
FIG. 6 is a top view thereof; and,  
FIG. 7 is a bottom view thereof.

**1 Claim, 3 Drawing Sheets**



(56)

**References Cited**

U.S. PATENT DOCUMENTS

2006/0278671 A1\* 12/2006 Gouldson ..... A47G 25/48  
223/85  
2007/0194063 A1\* 8/2007 Wu ..... A47G 25/186  
223/85  
2014/0361053 A1\* 12/2014 Laibe ..... A47G 25/442  
223/85  
2020/0085221 A1\* 3/2020 Riedel ..... A47G 25/16

\* cited by examiner

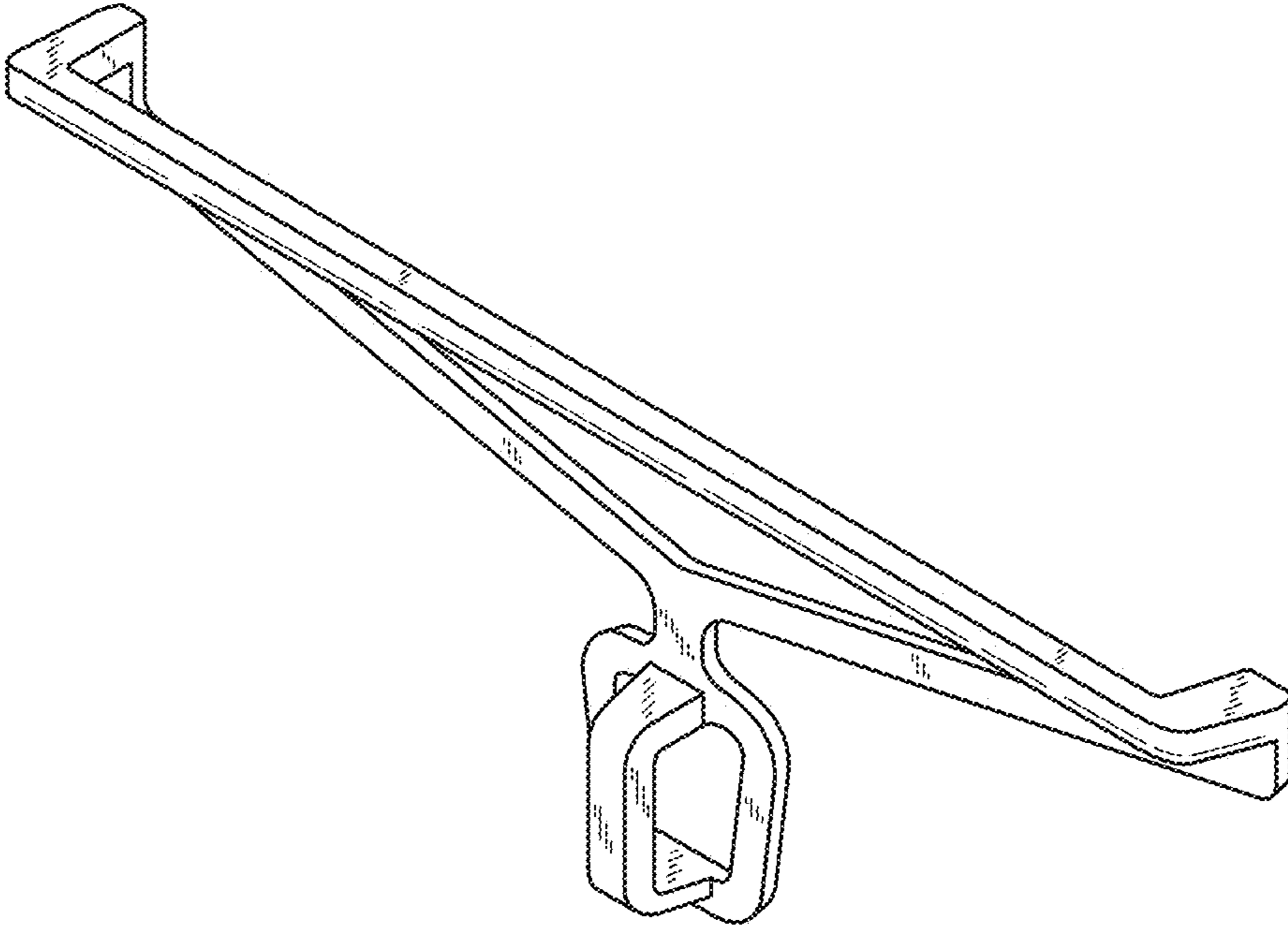
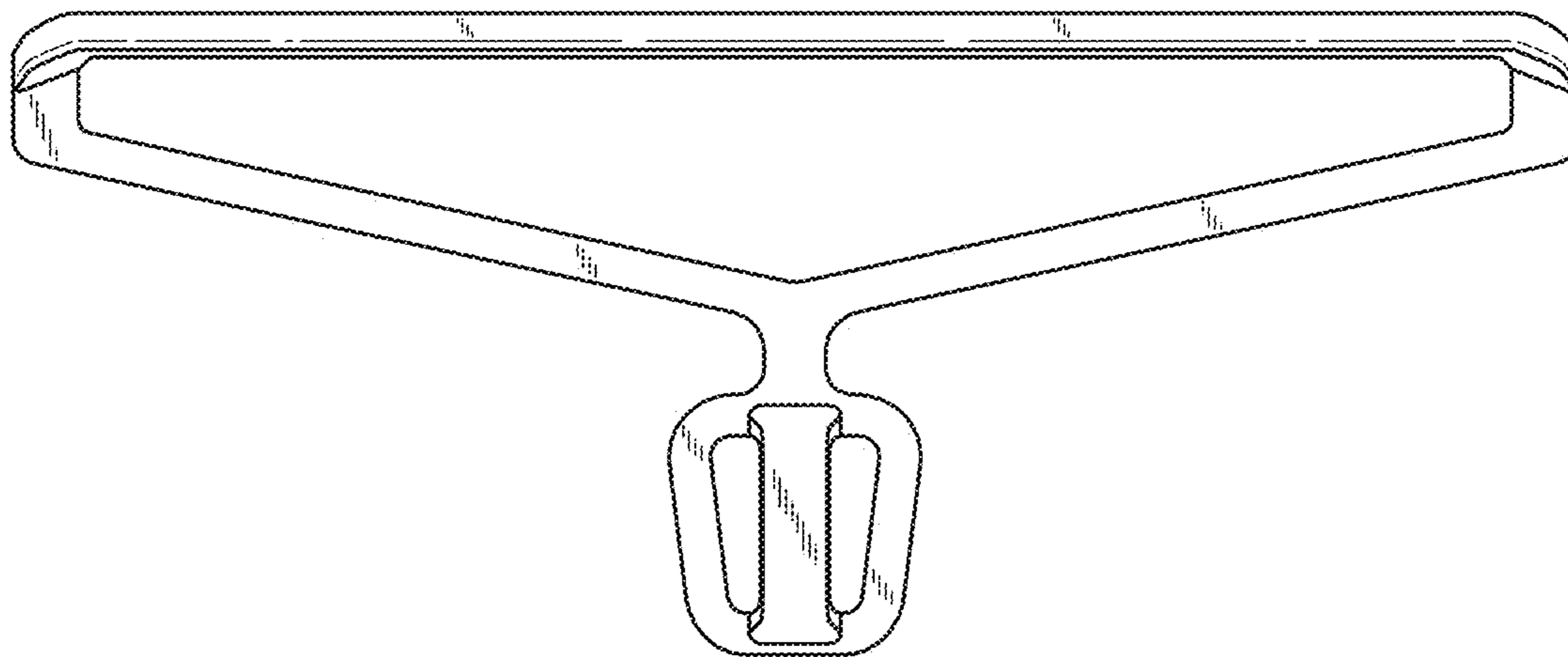
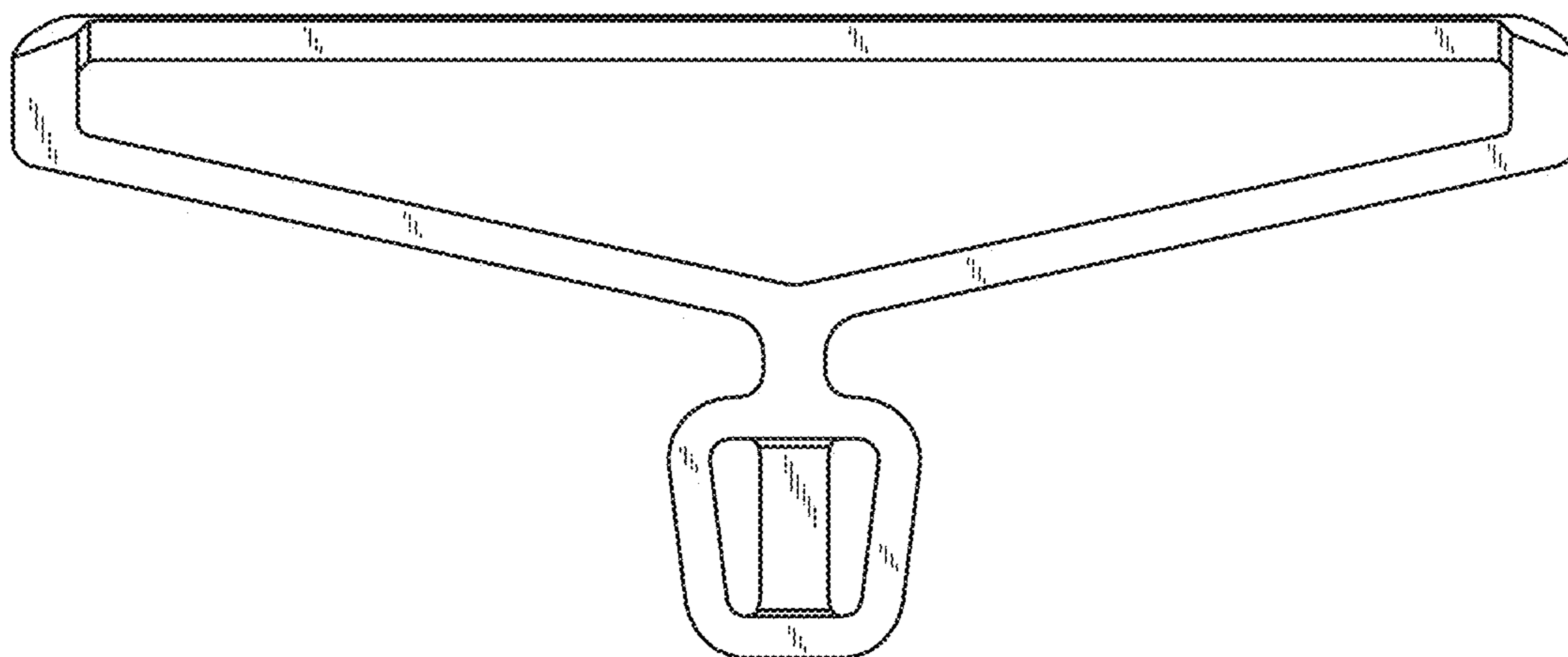


FIG. 1



**FIG. 2**



**FIG. 3**

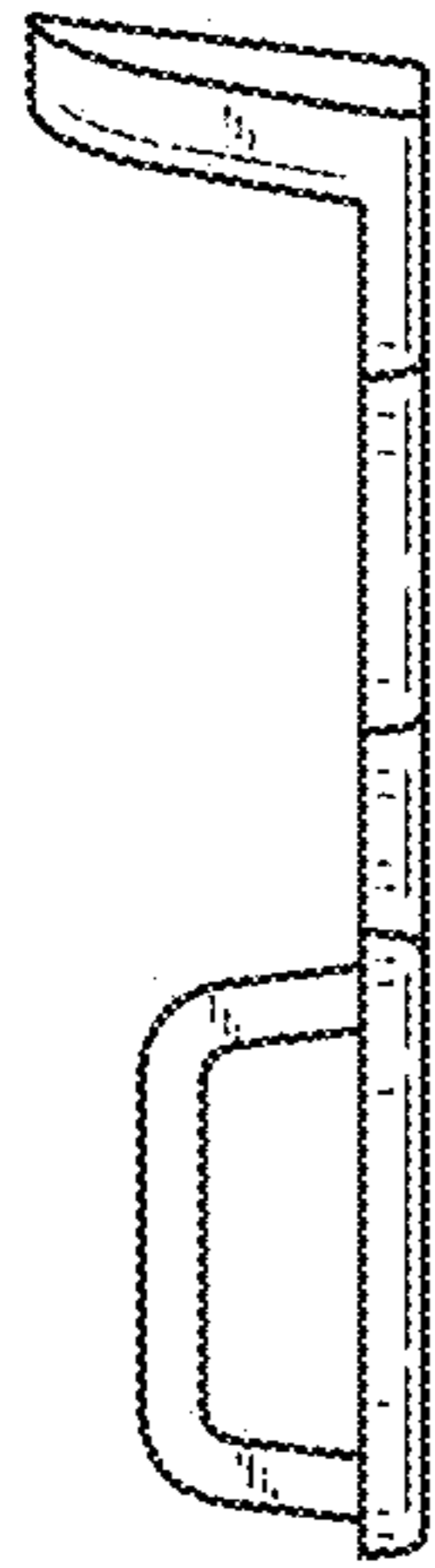


FIG. 4

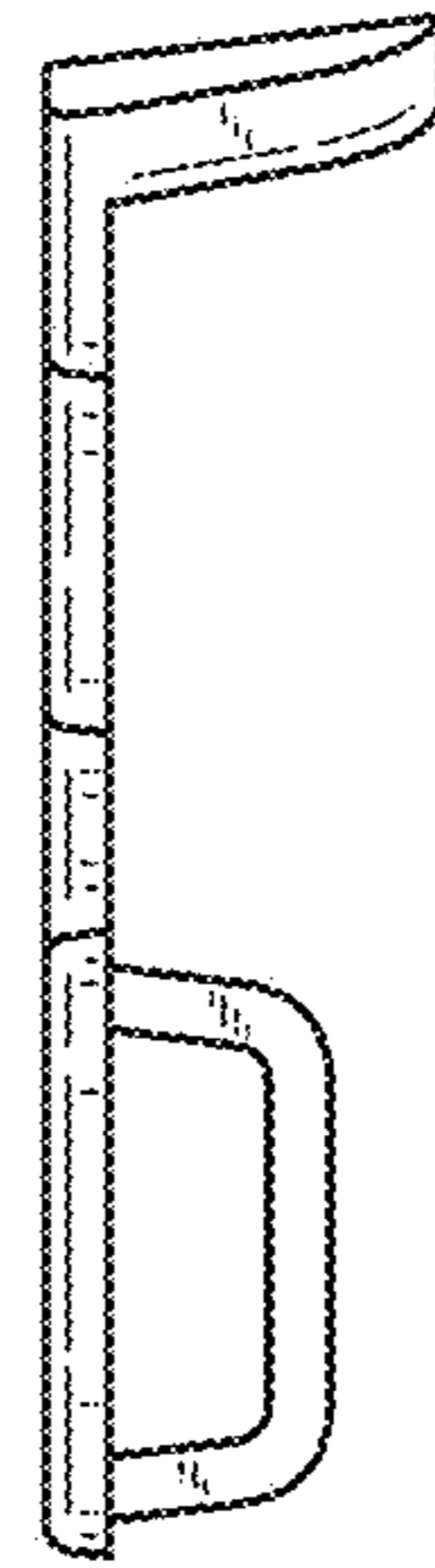


FIG. 5

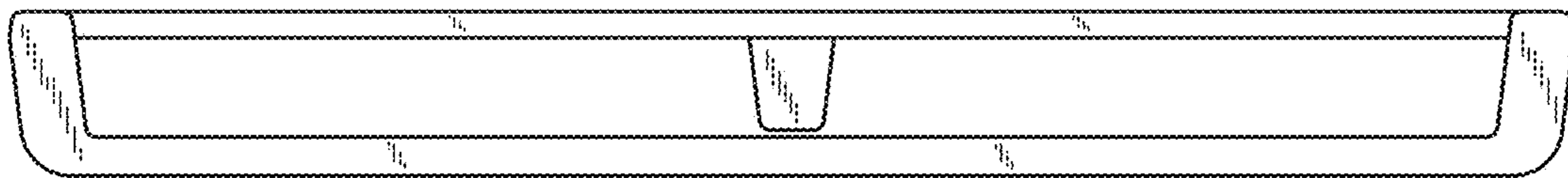


FIG. 6



FIG. 7