



US00D928513S

(12) **United States Design Patent** (10) **Patent No.:** **US D928,513 S**
Bursley et al. (45) **Date of Patent:** **** Aug. 24, 2021**

(54) **BOTTLE BRUSH**

OTHER PUBLICATIONS

(71) Applicant: **TOMY International, Inc.**, Dyersville, IA (US)

Boon Brush, announced Feb. 2020 [online], [site visited May 4, 2021]. Available from internet, URL: https://www.amazon.com/Boon-Cacti-Bottle-Clean-Pieces/dp/B08411KG5F?ref=ast_sto_dp&th=1 (Year: 2020).*

(72) Inventors: **Shelby Bursley**, Tempe, AZ (US); **Kacey Knight**, Tempe, AZ (US); **Casey Moore**, Tempe, AZ (US); **Kathryn Wozniak**, Tempe, AZ (US); **Hideo Tone**, Tempe, AZ (US); **Leda Belden**, Tempe, AZ (US)

Cactus Pens, announced May 2019 [online], [site visited May 4, 2021]. Available from internet, URL: https://www.amazon.com/Creative-Stationery-Rollerball-Sticker-Supplies/dp/B07RFGYXNP/ref=asc_df_B07RFGYXNP/ (Year: 2019).*

(73) Assignee: **TOMY International, Inc.**, Dyersville, IA (US)

Oriental Trading Cactus Pens, announced Jun. 2019 [online], [site visited May 4, 2021]. Available from internet, URL: <https://www.orientaltrading.com/cactus-shaped-pens-a2-13822849.fltr> (Year: 2019).*

(**) Term: **15 Years**

* cited by examiner

(21) Appl. No.: **29/733,603**

Primary Examiner — Kevin K Rudzinski

(22) Filed: **May 5, 2020**

Assistant Examiner — Tamara L Hahn

(51) **LOC (13) Cl.** **04-99**

(74) *Attorney, Agent, or Firm* — Saul Ewing Arnstein & Lehr LLP

(52) **U.S. Cl.**
USPC **D4/124**

(57) **CLAIM**

(58) **Field of Classification Search**
USPC D4/117-138; D30/158, 159; D21/628
CPC A47K 11/10; A46B 2200/3006; A46B 2200/3013

The ornamental design of a bottle brush, as shown and described.

See application file for complete search history.

DESCRIPTION

(56) **References Cited**

FIG. 1 is a perspective view of a bottle brush showing the new design;
FIG. 2 is a top view of the bottle brush of FIG. 1;
FIG. 3 is a left side view of the bottle brush of FIG. 1;
FIG. 4 is a front view of the bottle brush of FIG. 1;
FIG. 5 is a right side view of the bottle brush of FIG. 1;
FIG. 6 is a rear view of the LED housing of bottle brush; and,
FIG. 7 is a bottom view of the bottle brush of FIG. 1.
The broken lines in the drawings depict portions of the bottle brush that form no part of the claimed design.

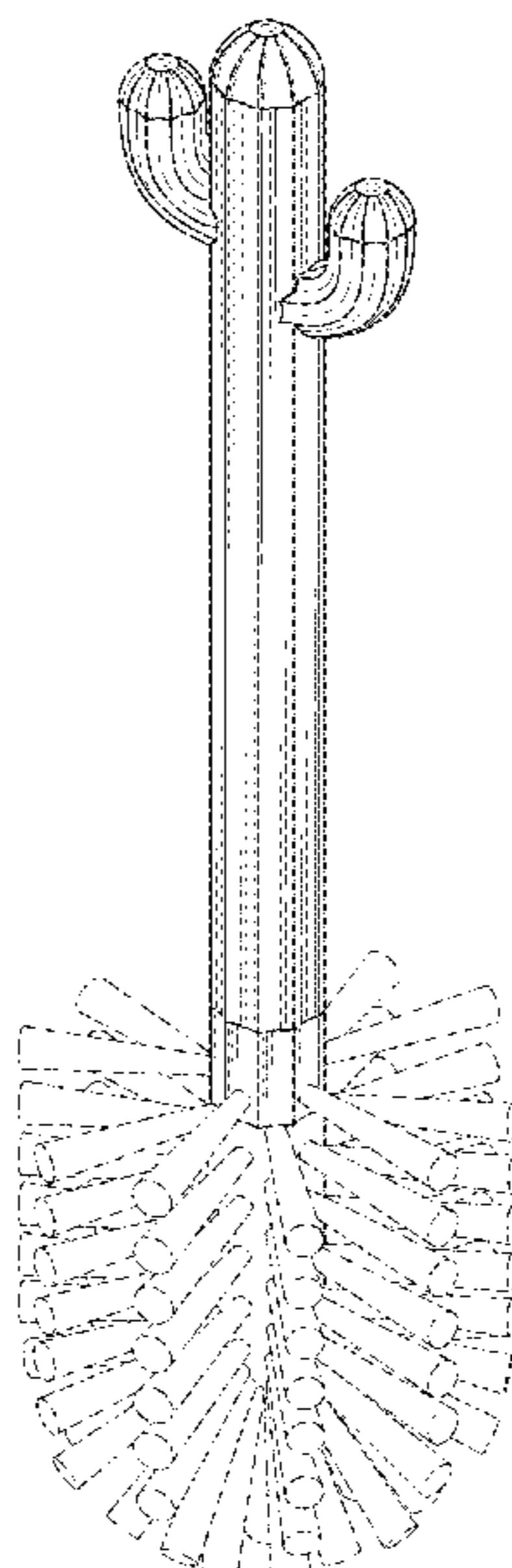
U.S. PATENT DOCUMENTS

7,118,788 B1 * 10/2006 Turner A41G 1/00 428/17
D562,725 S * 2/2008 Keller D11/117
D862,806 S * 10/2019 Liu D30/158
D915,576 S * 4/2021 Gobber D23/367

FOREIGN PATENT DOCUMENTS

CN 305304625 * 8/2019
CN 306396144 * 3/2021

1 Claim, 7 Drawing Sheets



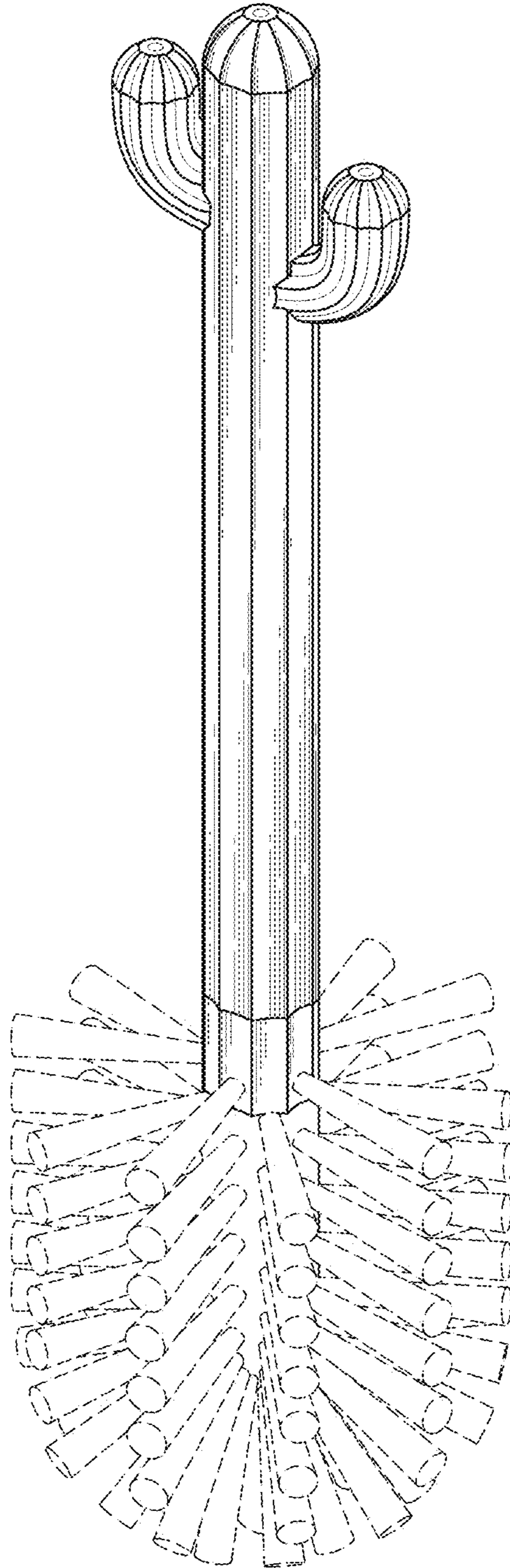


FIG. 1

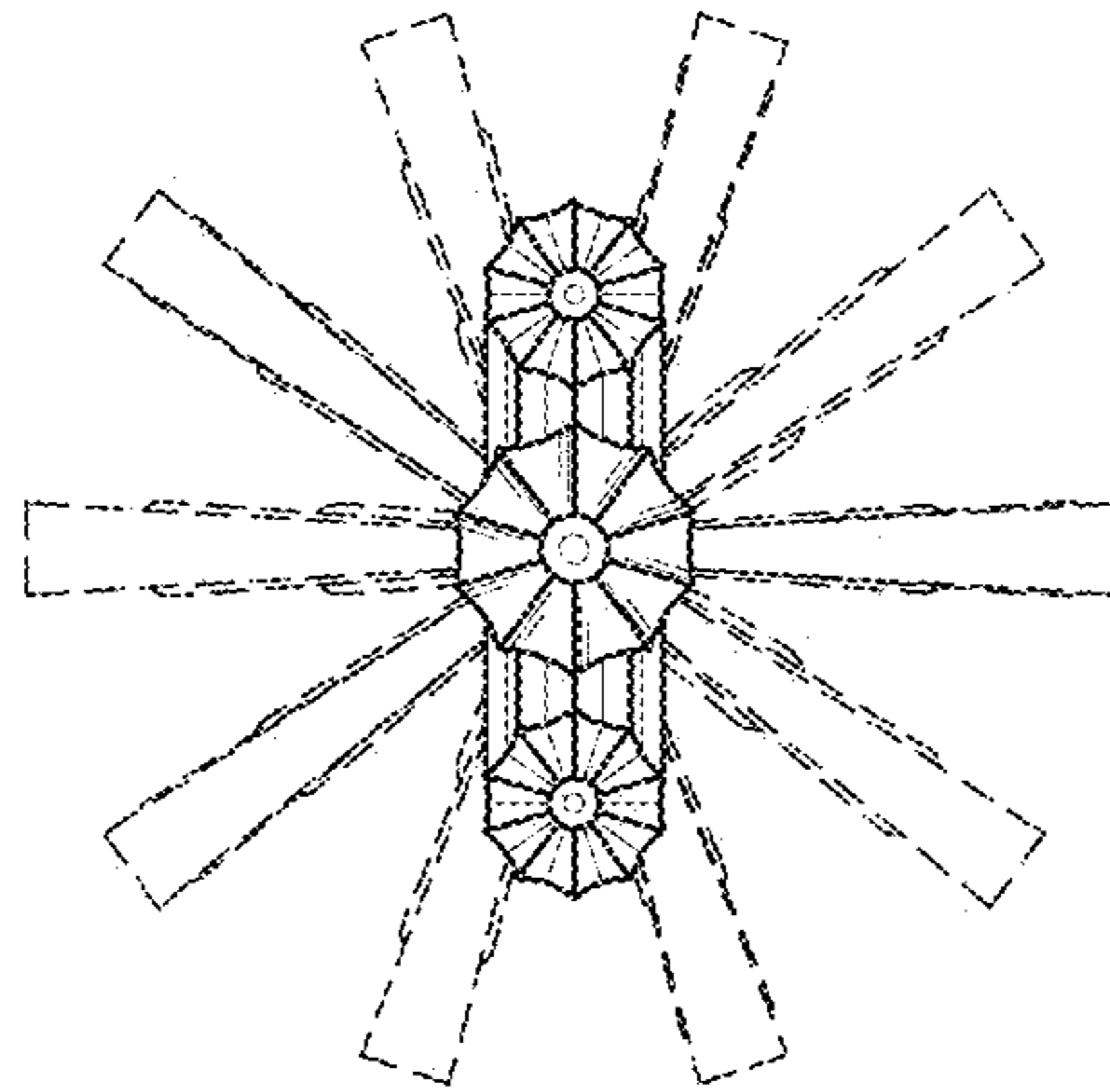


FIG. 2

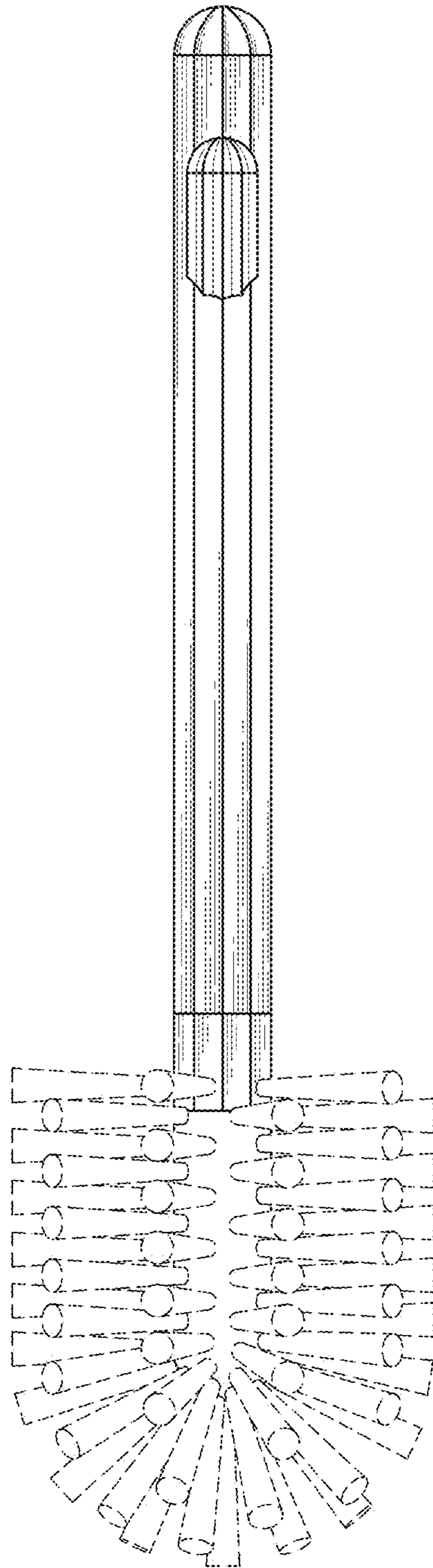


FIG. 3

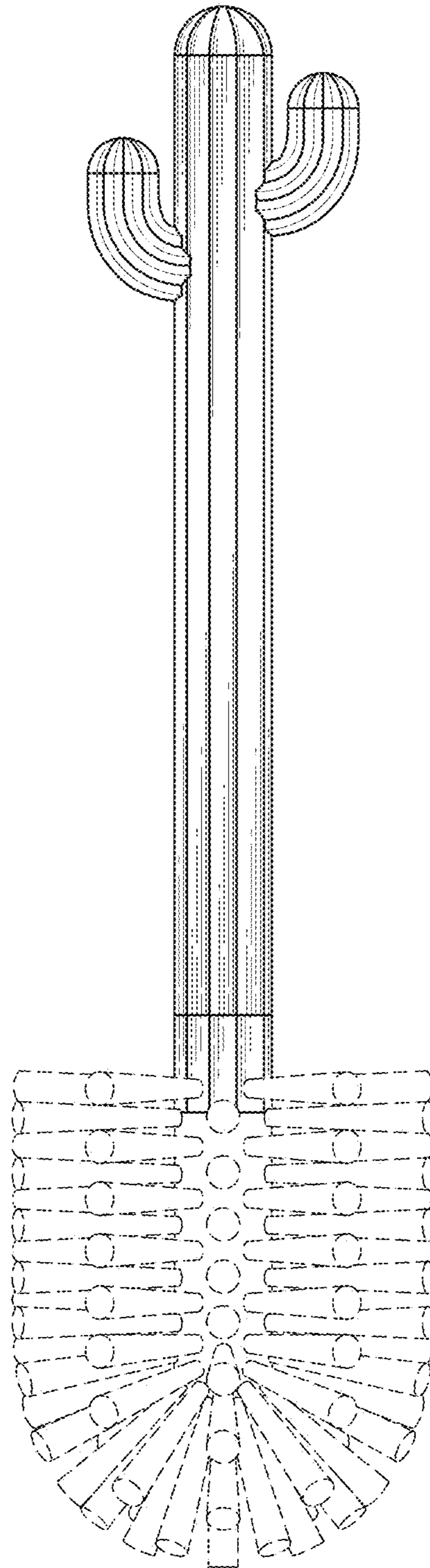


FIG. 4

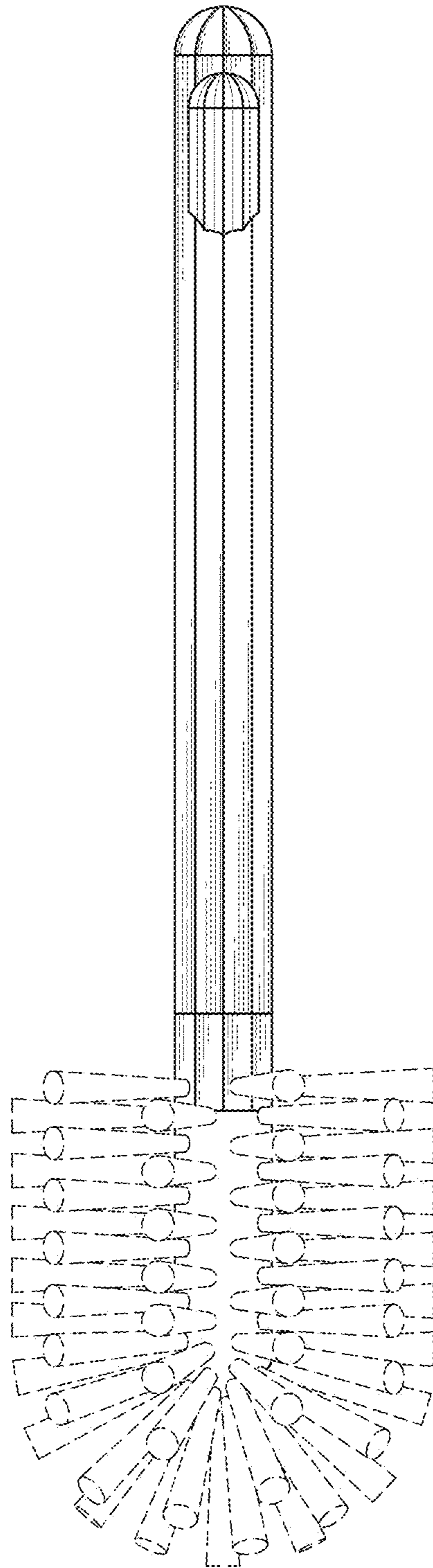


FIG. 5

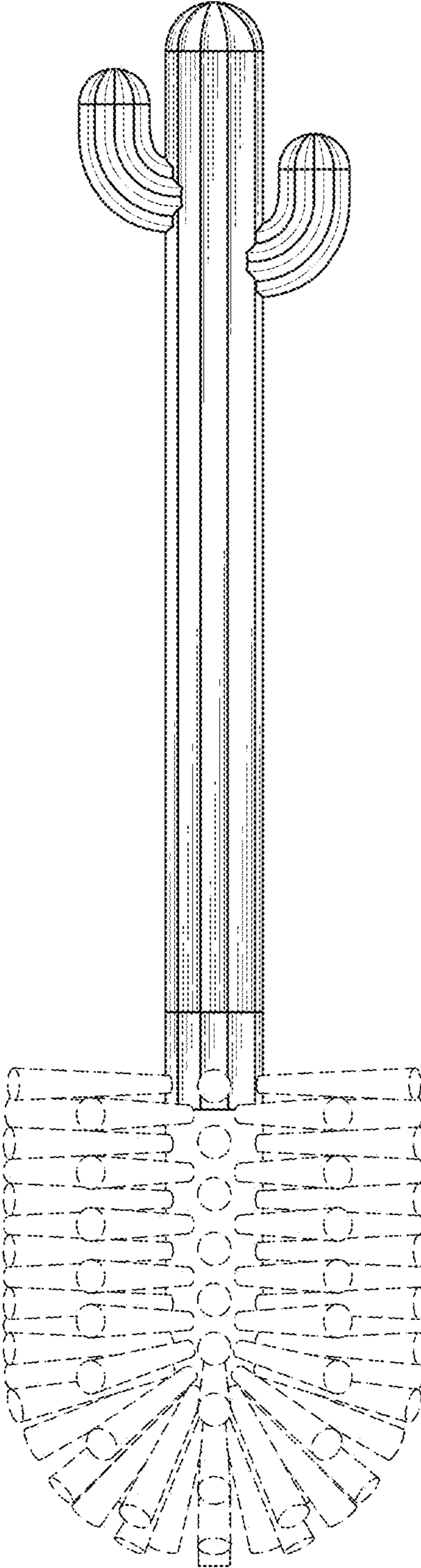


FIG. 6

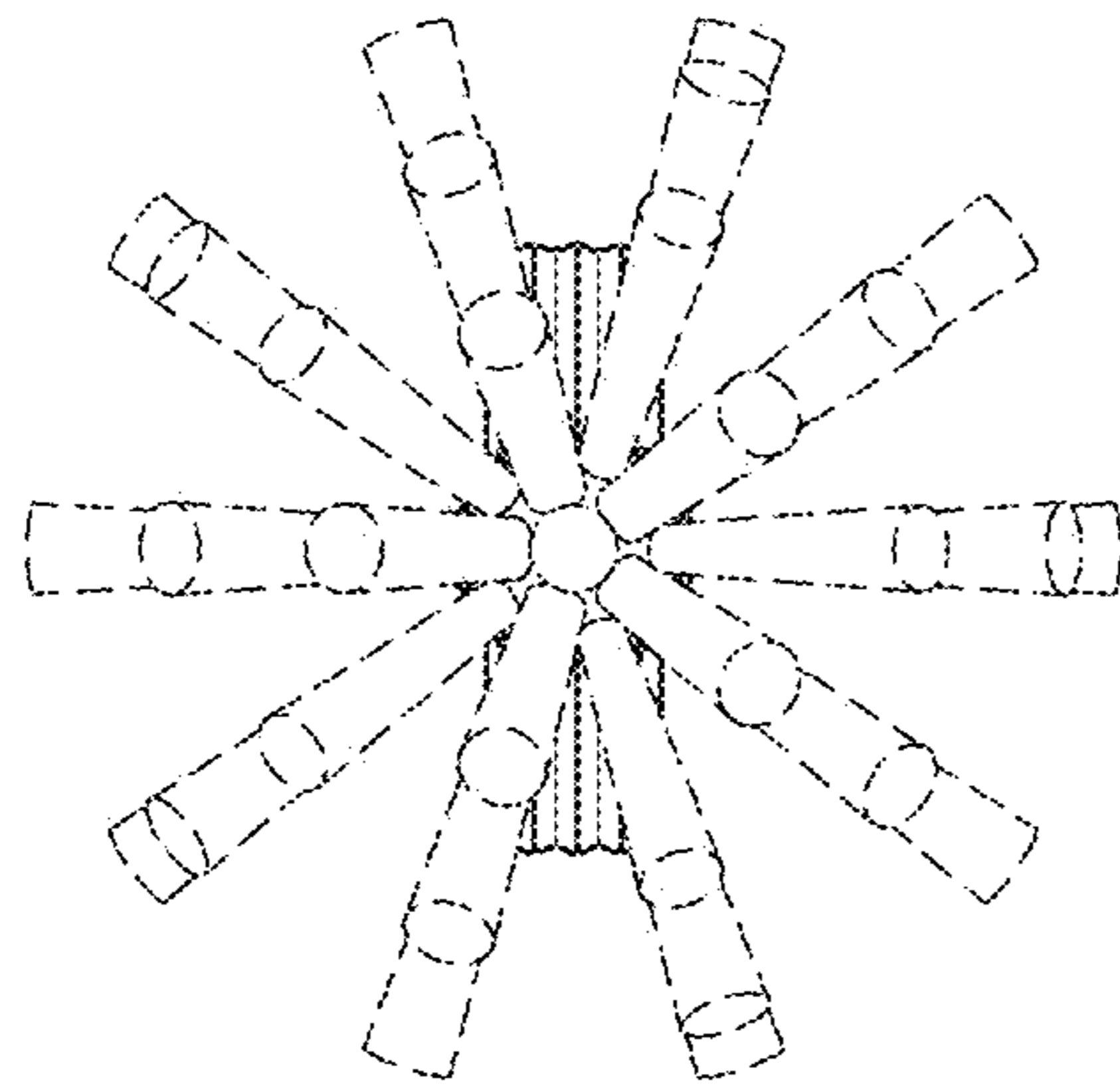


FIG. 7

UNITED STATES PATENT AND TRADEMARK OFFICE
CERTIFICATE OF CORRECTION

PATENT NO. : D928,513 S
APPLICATION NO. : 29/733603
DATED : August 24, 2021
INVENTOR(S) : Shelby Bursley et al.

Page 1 of 1

It is certified that error appears in the above-identified patent and that said Letters Patent is hereby corrected as shown below:


On the Title Page

Item (57) CLAIM:

The ornamental design of a bottle brush, as shown and described.

Should read:

“The ornamental design for a bottle brush, as shown and described.”

Signed and Sealed this
Tenth Day of September, 2024

Katherine Kelly Vidal
Director of the United States Patent and Trademark Office