



US00D928512S

(12) **United States Design Patent** (10) **Patent No.:** **US D928,512 S**
King (45) **Date of Patent:** **** Aug. 24, 2021**

(54) **COMBINATION BOTTLE AND NIPPLE BRUSH WITH BASE**

(71) Applicant: **Daniel J. King**, Pittsburgh, PA (US)

(72) Inventor: **Daniel J. King**, Pittsburgh, PA (US)

(**) Term: **15 Years**

(21) Appl. No.: **29/699,255**

(22) Filed: **Jul. 24, 2019**

(51) **LOC (13) Cl.** **04-02**

(52) **U.S. Cl.**

USPC **D4/116; D4/119; D4/133**

(58) **Field of Classification Search**

USPC D4/100, 102, 109, 114, 115, 116, 117, D4/118, 119, 120, 121, 122, 123, 124, D4/125, 126, 127, 128, 129, 130, 131, D4/132, 133, 134, 135, 136, 137, 138, D4/199; D32/40, 41, 42, 46, 49, 50, 51; 15/245

CPC A46B 5/02; A46B 2200/3013; A46B 2200/3006; A46B 2200/3073; A46B 5/021; A46B 5/0016; A47L 17/00

See application file for complete search history.

(56) **References Cited**

U.S. PATENT DOCUMENTS

D324,775 S * 3/1992 Kreisher D4/104
D326,361 S * 5/1992 Layman D4/104
D489,536 S * 5/2004 Dunn D4/131
7,017,222 B2 * 3/2006 Dunn A46B 5/0095
15/106
D518,642 S * 4/2006 Blaustein D4/100

(Continued)

FOREIGN PATENT DOCUMENTS

WO WO-2017/132335 A1 * 8/2017

OTHER PUBLICATIONS

Evenflo 2 in 1 bottle brush with nipple brush [on-line]. [Original publication date unknown.] [Retrieved from the Internet Dec. 31,

2020.] URL: ><https://www.evenflofeeding.com/products/bottle-feeding/baby-bottle-accessories/2-in-1-bottle-brush-with-nipple-brush>< (Year: 2020).*

Primary Examiner — Karen E Eldridge Powers

(74) *Attorney, Agent, or Firm* — Gary P. Topolosky

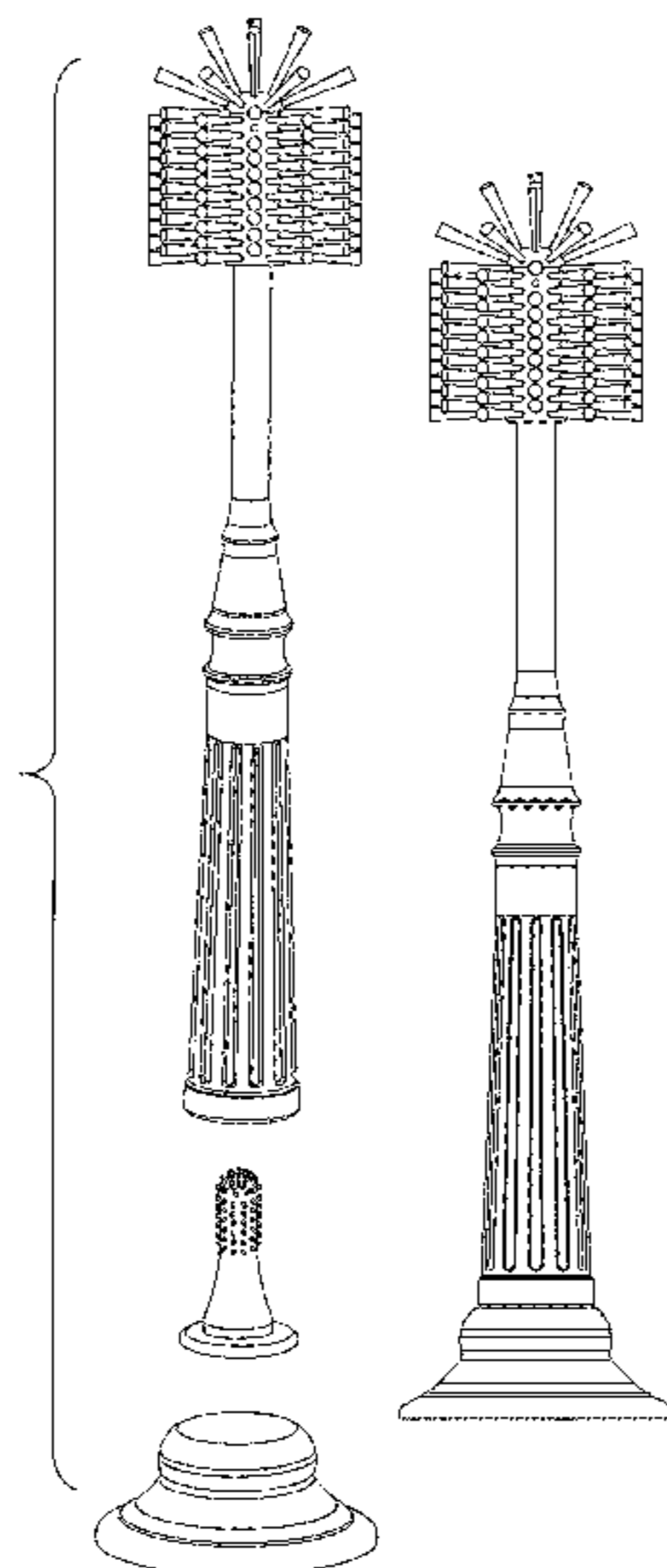
(57) **CLAIM**

The ornamental design for a combination bottle and nipple brush with base, as shown and described.

DESCRIPTION

FIG. 1 is an exploded front perspective view of the combination bottle and nipple brush with base per this invention; FIG. 2 is an exploded front elevation view thereof; FIG. 3 is a front elevation view of the combination bottle and nipple brush with base of FIGS. 1-2, but being shown fully assembled, the rear elevation view and the side elevation views appearing the same; FIG. 4 is a top plan view thereof; FIG. 5 is a bottom plan view thereof; FIG. 6 is a front elevation view of the base component, shown separately for clarity of appearance, the rear and side elevation views appearing the same; FIG. 7 is a top plan view of the base component thereof; FIG. 8 is a top perspective view of the base component thereof; FIG. 9 is a bottom plan view of the nipple brush component, shown separately for clarity of appearance; FIG. 10 is a front elevation view of the nipple brush component, the rear and side elevation views appearing the same; FIG. 11 is a top plan view of the nipple brush component; and, FIG. 12 is a top perspective view of the nipple brush component. FIGS. 4-12 have been enlarged for clarity of illustration.

1 Claim, 12 Drawing Sheets



(56)

References Cited

U.S. PATENT DOCUMENTS

D528,891	S *	9/2006	Thompson	D4/119
D752,833	S *	3/2016	Espin	D32/35
10,531,725	B2 *	1/2020	Birkert	A46B 5/0037
10,716,452	B2 *	7/2020	Sauceda	A46B 15/0095
2016/0249733	A1 *	9/2016	Tebbe	A46B 15/0097
					15/143.1

* cited by examiner

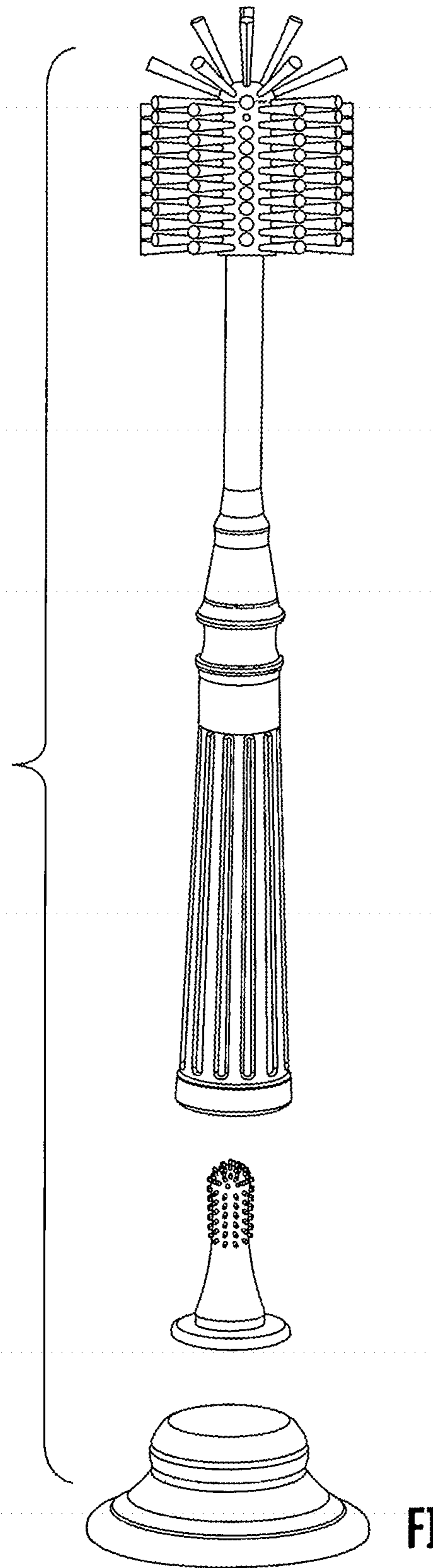


FIG. 1

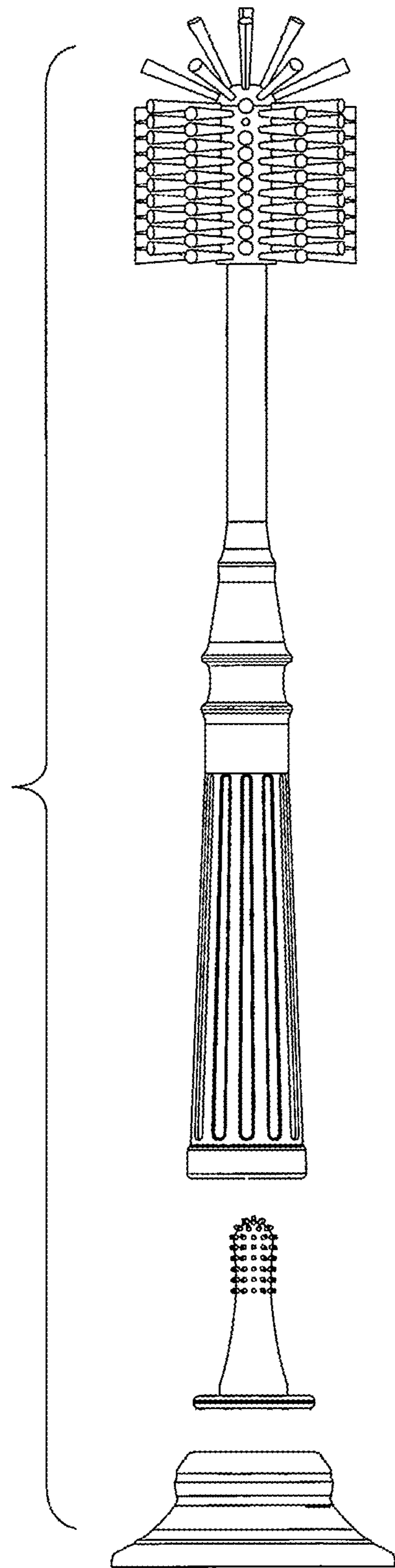


FIG. 2

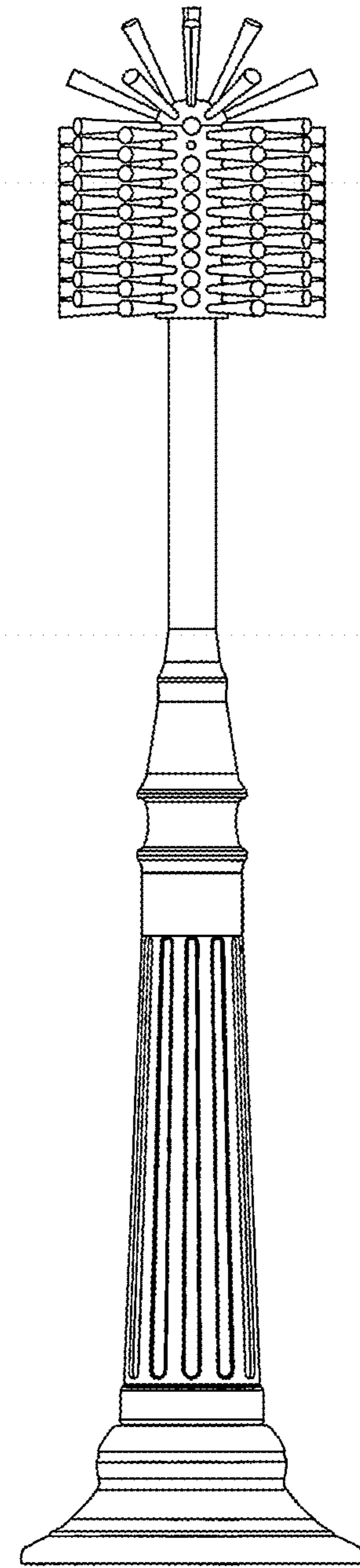


FIG. 3

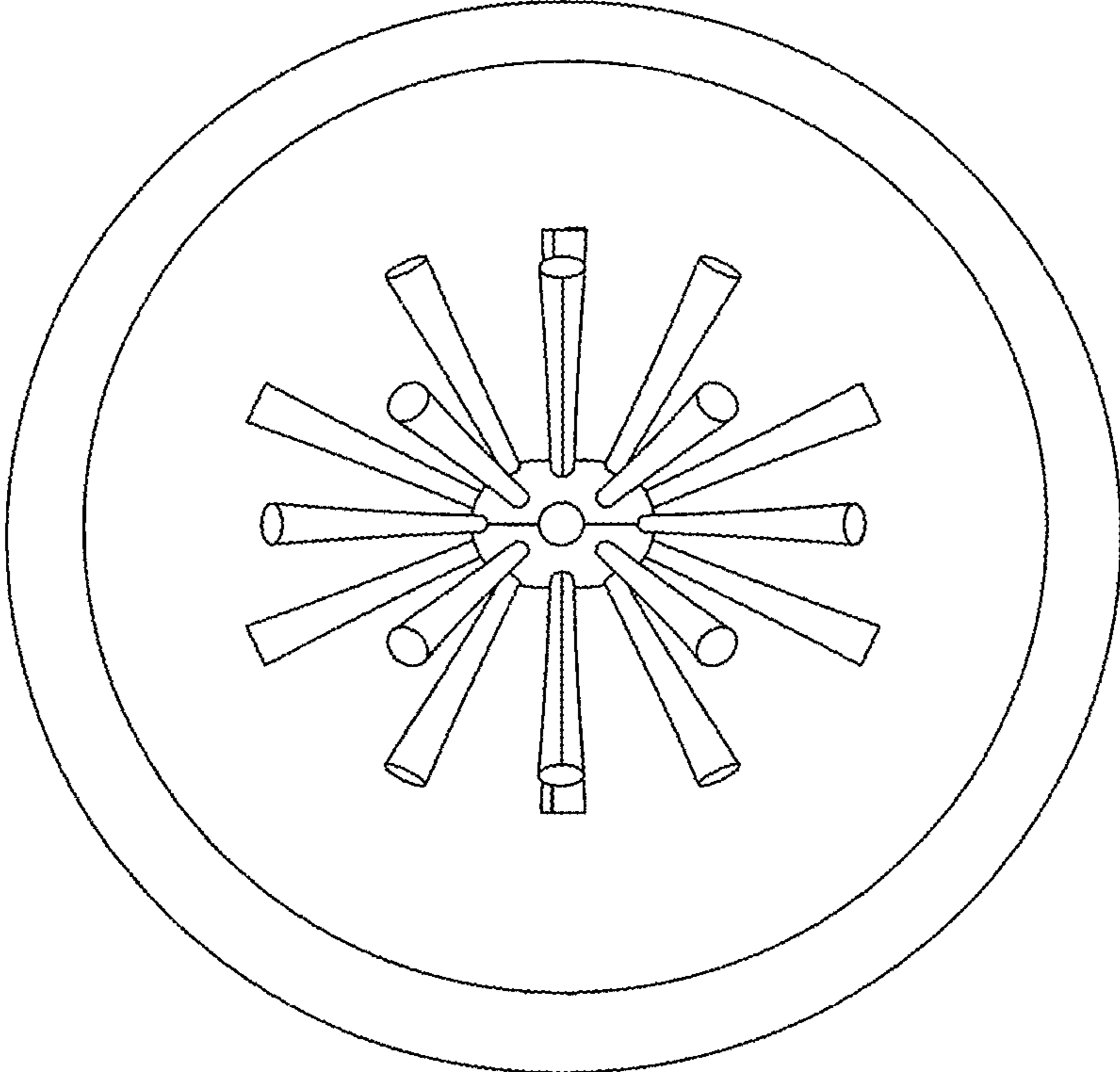


FIG. 4

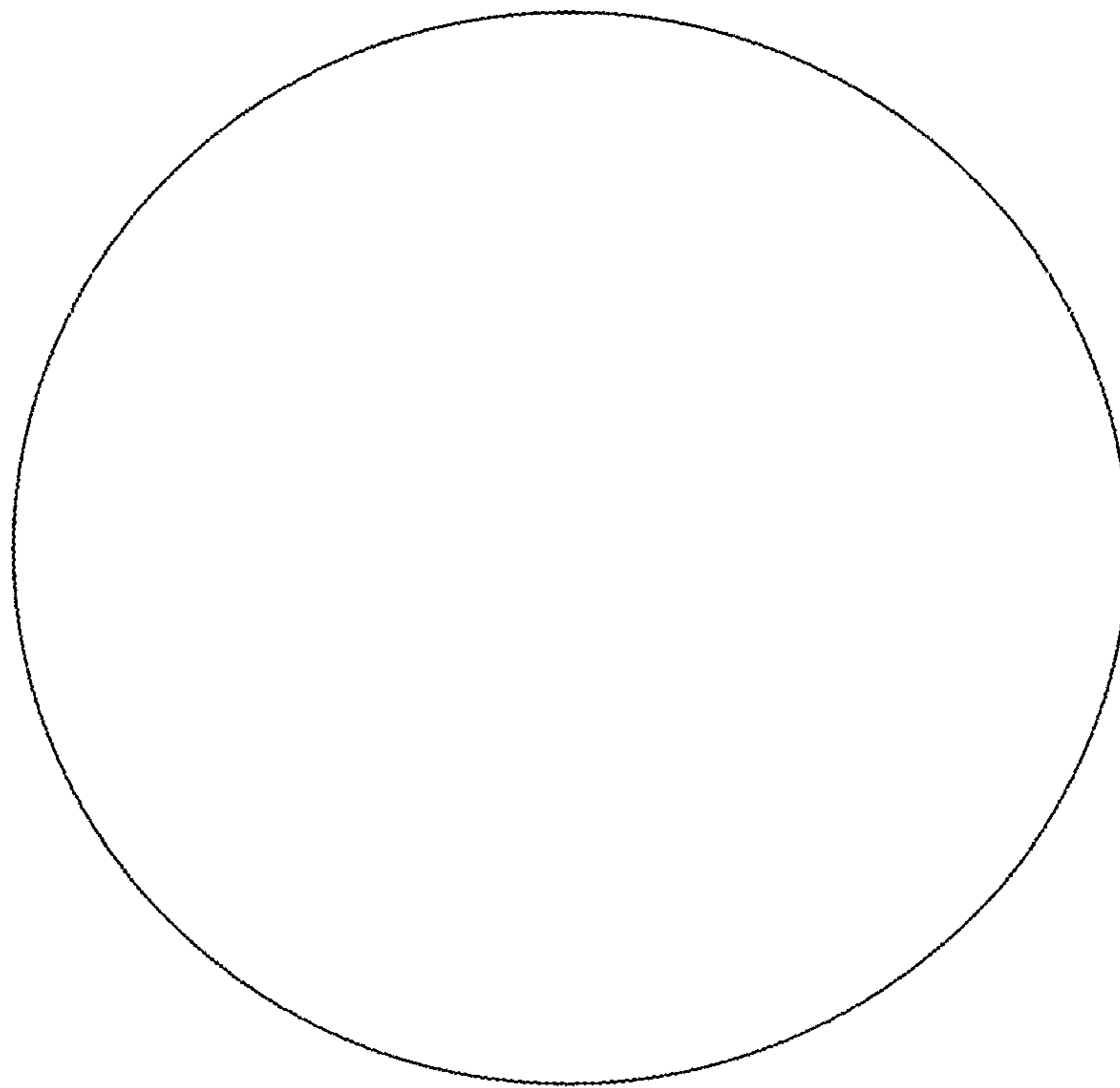


FIG. 5

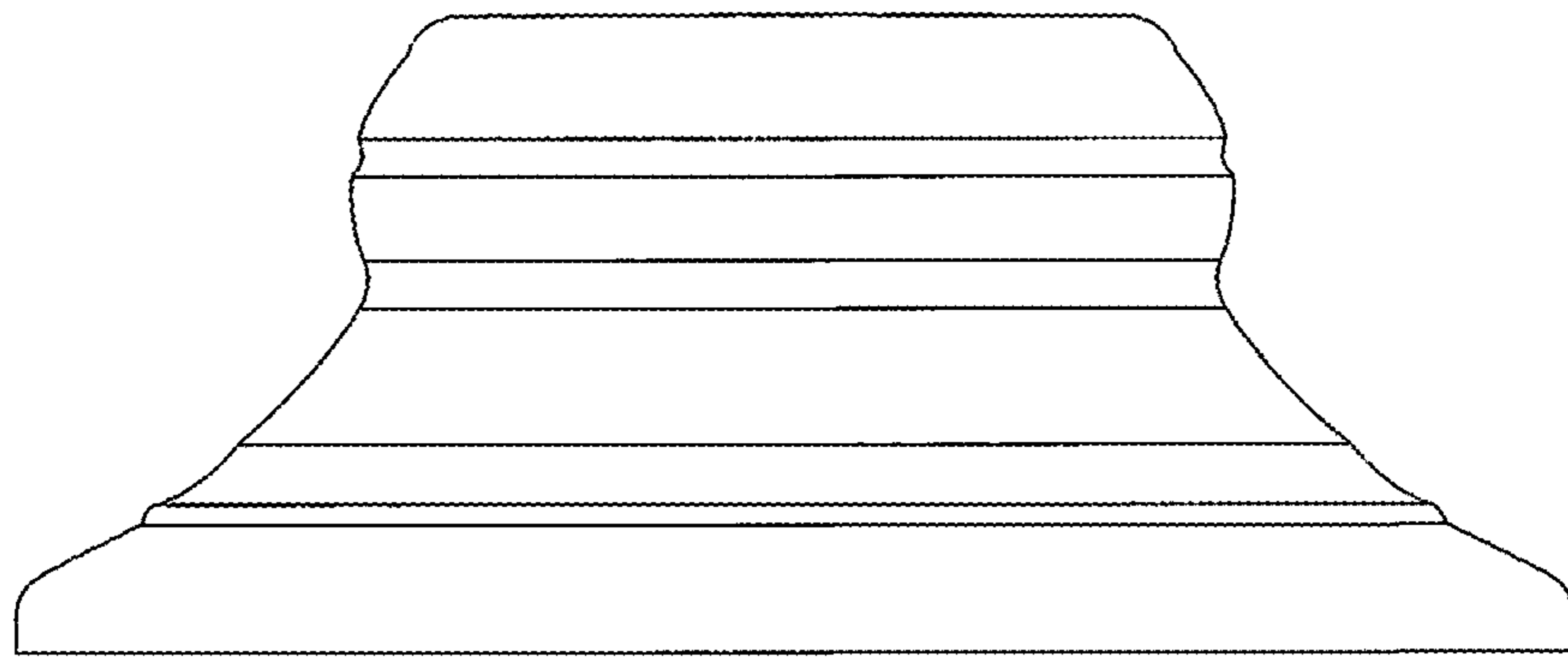


FIG. 6

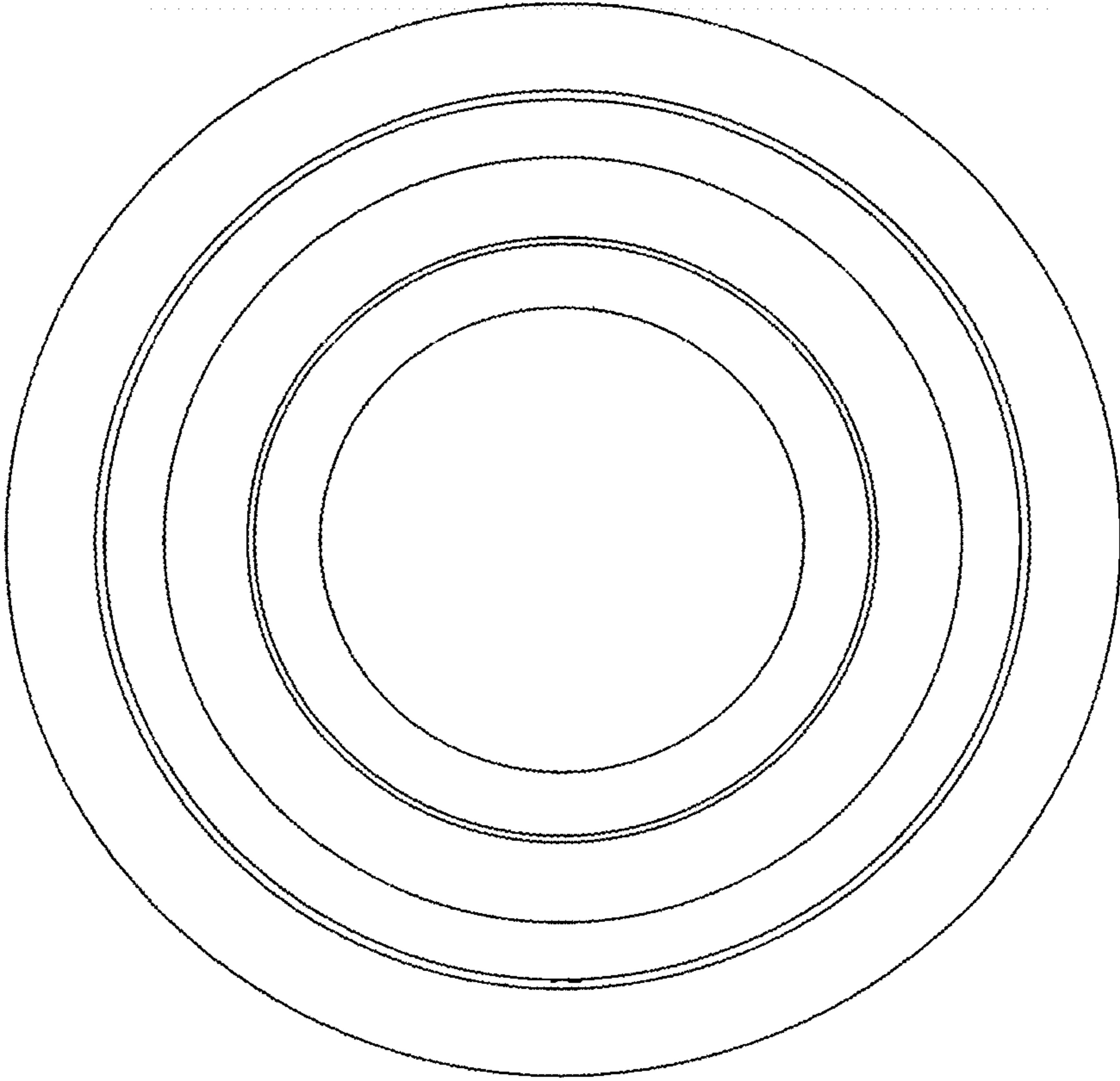


FIG. 7

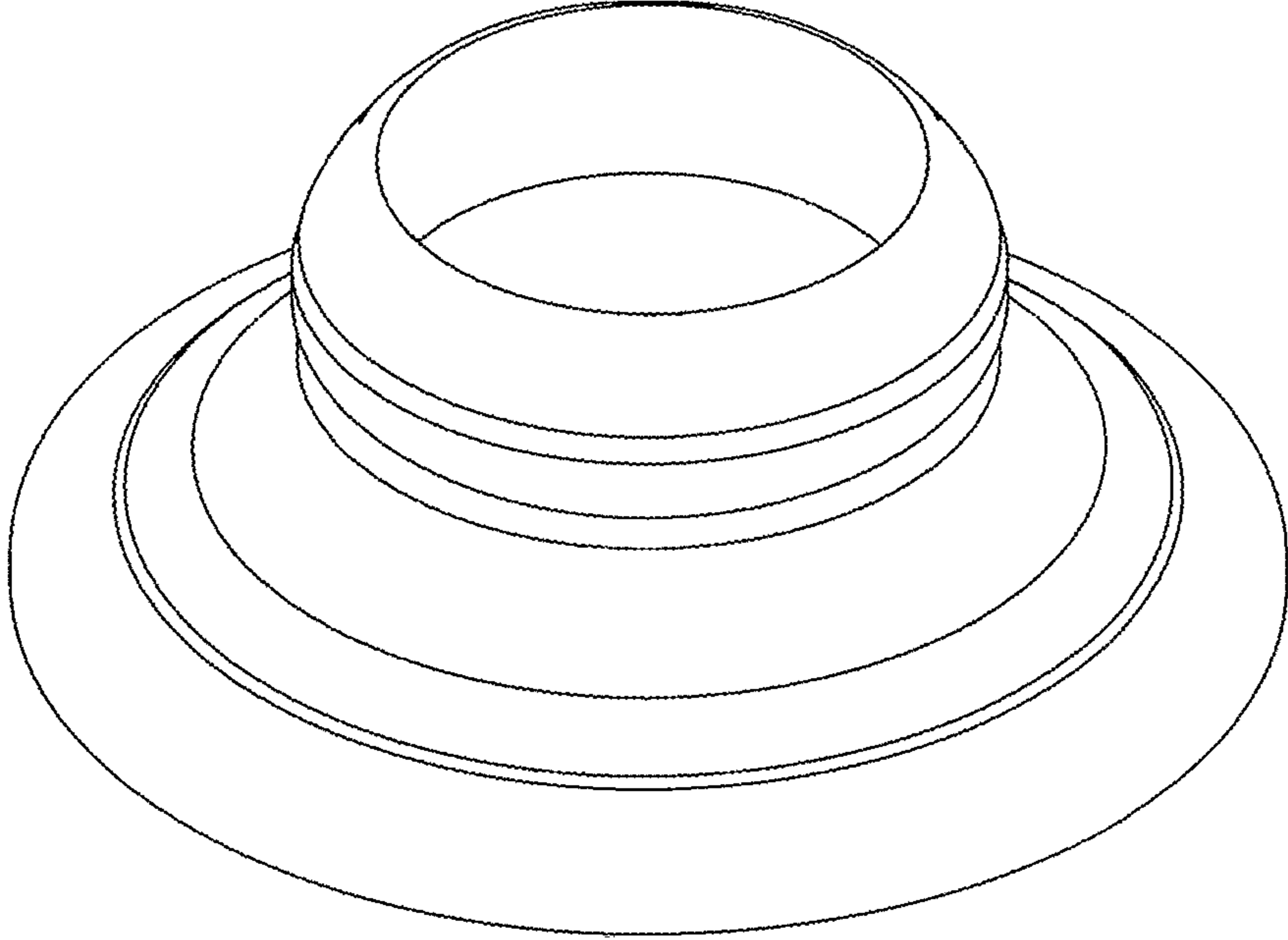


FIG. 8

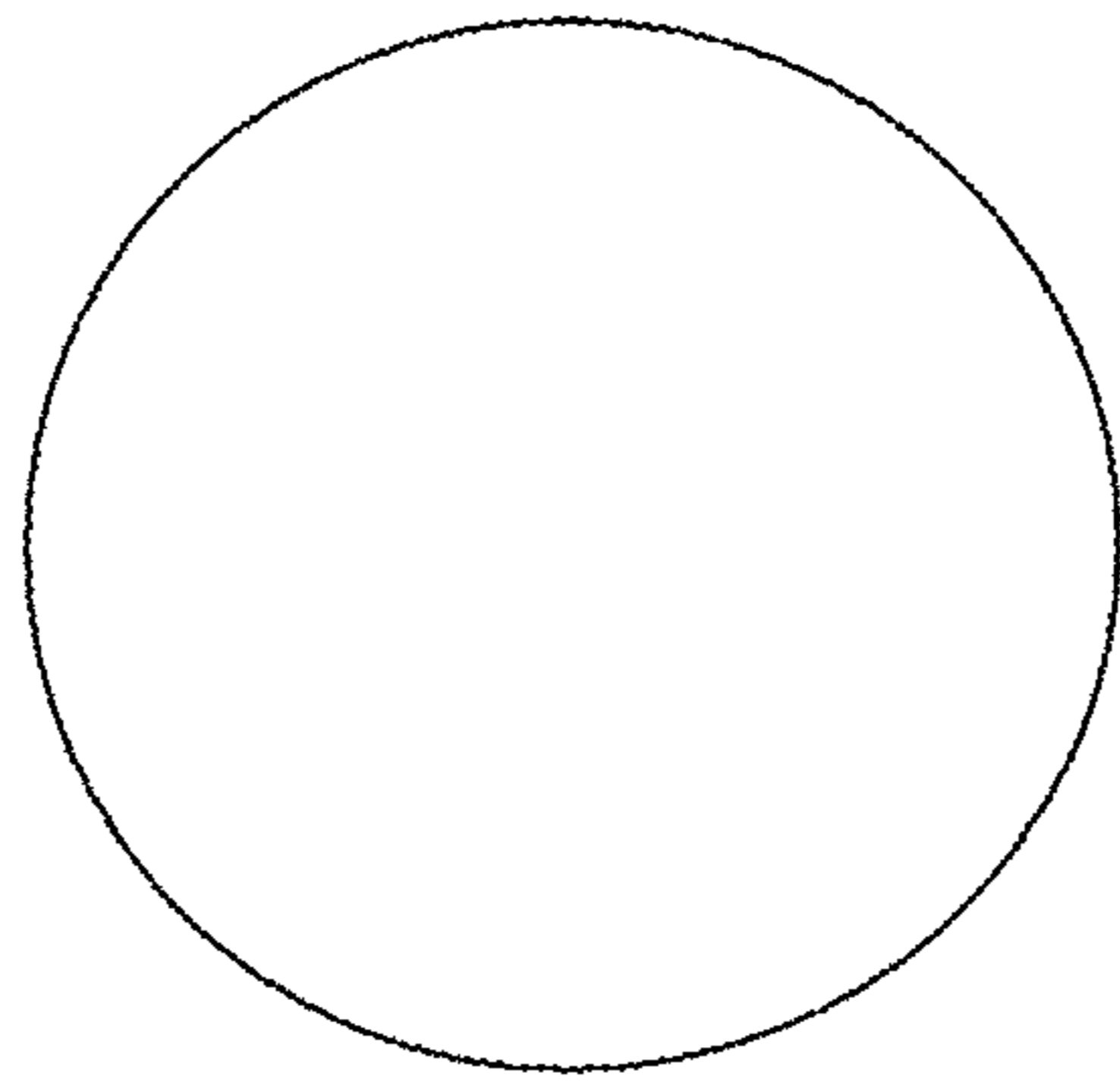


FIG. 9

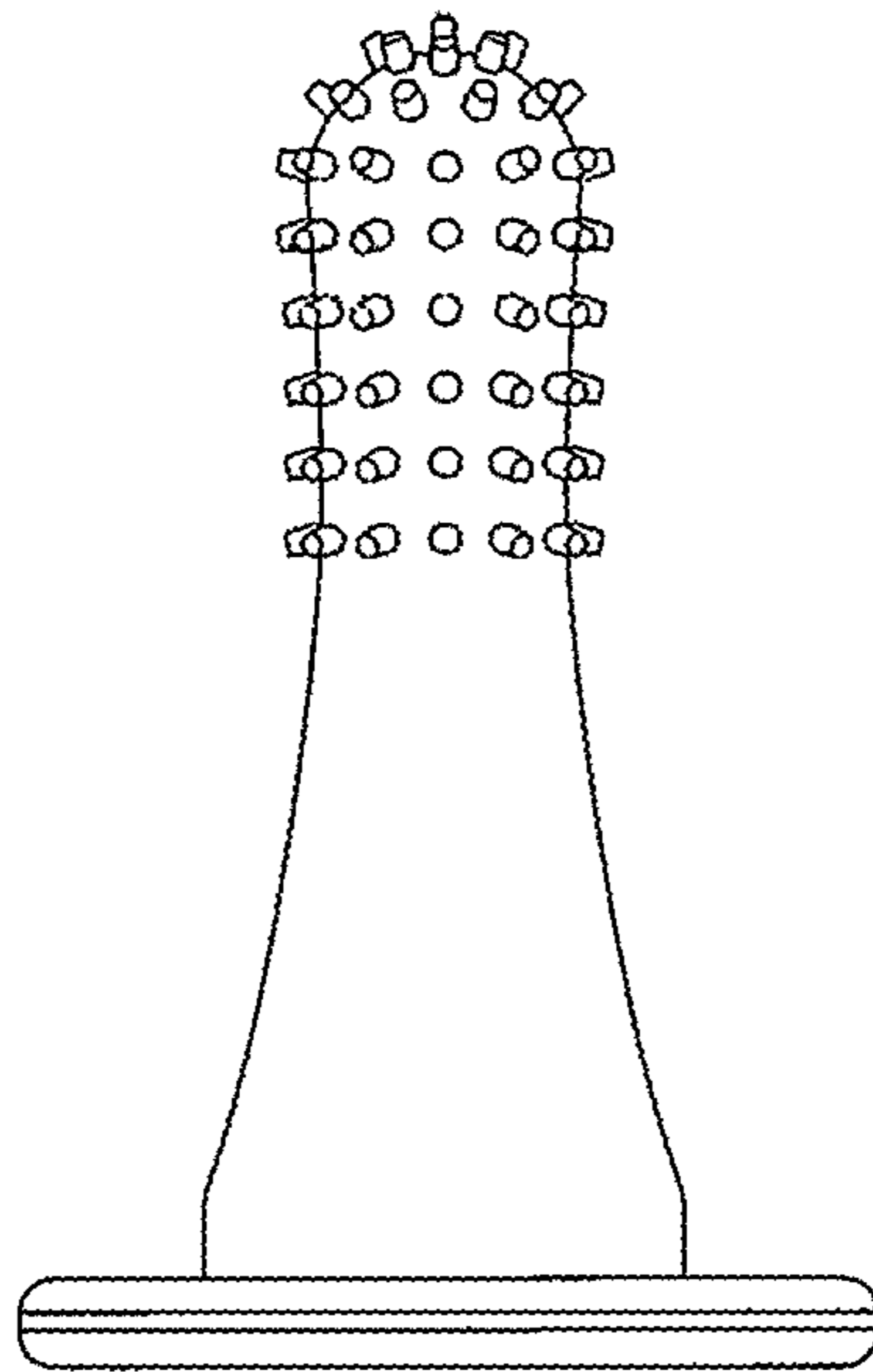


FIG. 10

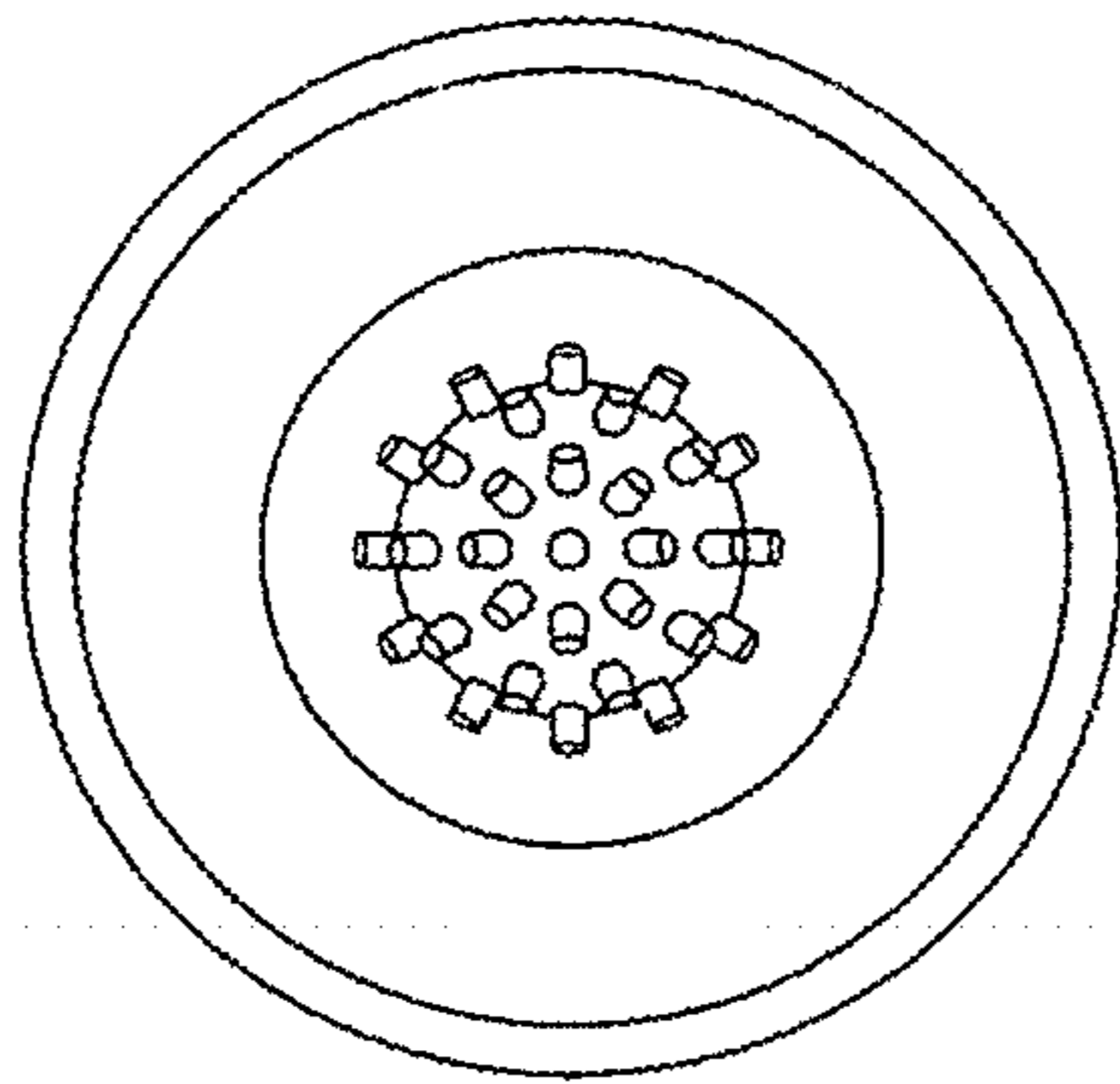


FIG. 11

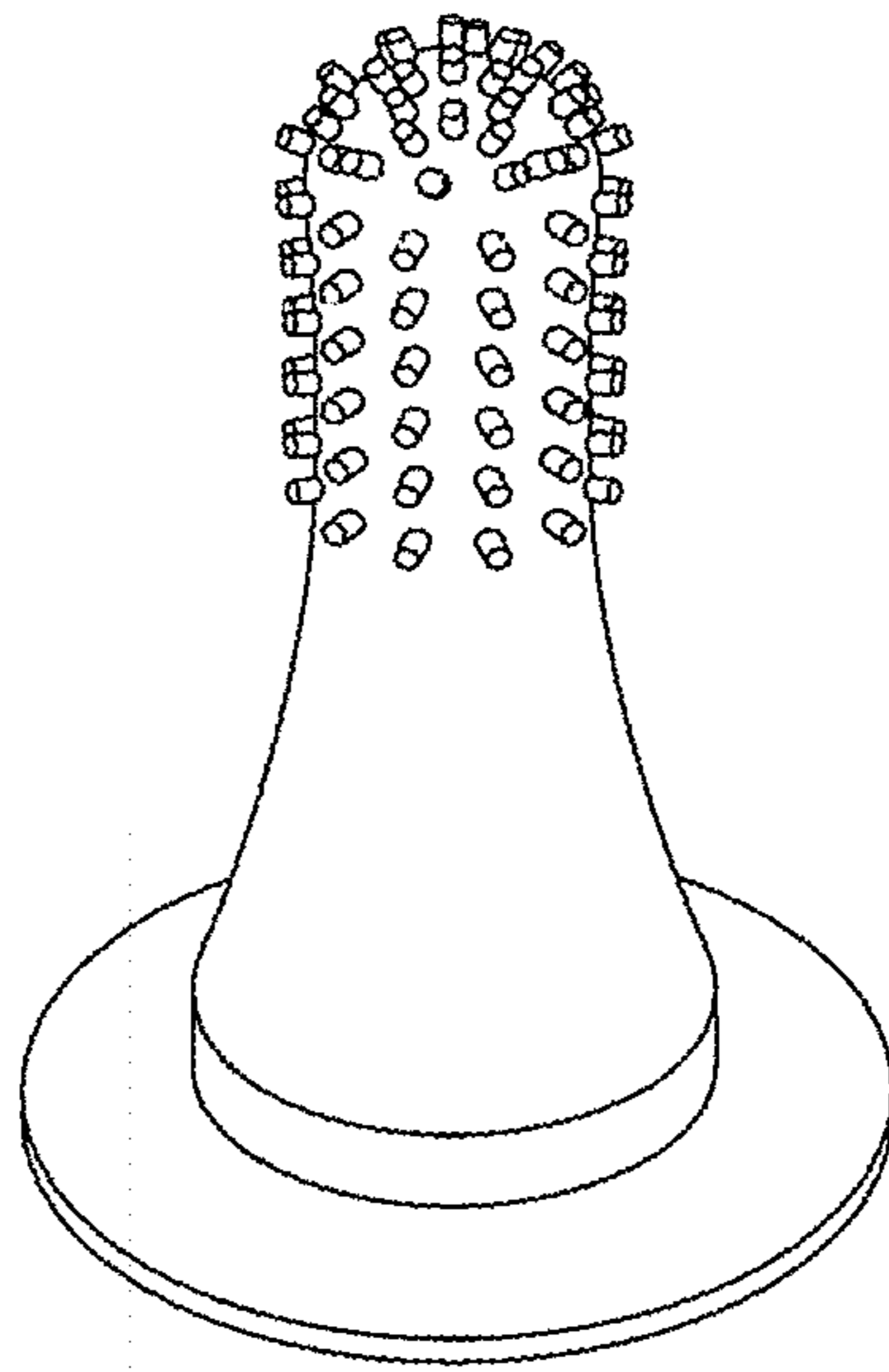


FIG. 12