



US00D928508S

(12) **United States Design Patent** (10) **Patent No.:** **US D928,508 S**
Lacey et al. (45) **Date of Patent:** **** Aug. 24, 2021**

(54) **ALIGNER CASE**

(71) Applicant: **SDC U.S. SmilePay SPV**, Nashville, TN (US)

(72) Inventors: **Brittany Lacey**, Nashville, TN (US);
Josh Chapman, Nashville, TN (US)

(73) Assignee: **SDC U.S. SmilePay SPV**, Nashville, TN (US)

(**) Term: **15 Years**

(21) Appl. No.: **29/699,160**

(22) Filed: **Jul. 23, 2019**

(51) **LOC (13) Cl.** **03-01**

(52) **U.S. Cl.**

USPC **D3/294**

(58) **Field of Classification Search**

USPC D3/200, 201, 203.1, 203.2, 203.3, 203.4,
D3/203.6, 203.7, 207, 212, 215, 270, 273,
(Continued)

(56) **References Cited**

U.S. PATENT DOCUMENTS

1,806,303 A * 5/1931 McAtree A45D 33/006
132/301
1,936,465 A * 11/1933 Whitlock A45C 13/005
16/380

(Continued)

OTHER PUBLICATIONS

Invisalign Aligner and Retainer Case, reviewed Apr. 26, 2019 [online], [site visited Feb. 3, 2021]. Available from internet. URL: <<https://www.amazon.com/INVISALIGN-Invisalign-Aligner-Case/dp/B07HCQH2N4/>> (Year: 2019).*

Primary Examiner — Kevin K Rudzinski

Assistant Examiner — Amber J Rabie

(74) *Attorney, Agent, or Firm* — Foley & Lardner LLP

(57) **CLAIM**

We claim the ornamental design for an aligner case, as shown and described.

DESCRIPTION

FIG. 1 is a perspective view of an embodiment of the claimed design;

FIG. 2 is a front view of the claimed design shown in FIG. 1;

FIG. 3 is a rear view of the claimed design shown in FIG. 1;

FIG. 4 is a left side view of the claimed design shown in FIG. 1;

FIG. 5 is a right side view of the claimed design shown in FIG. 1;

FIG. 6 is a top view of the claimed design shown in FIG. 1;

FIG. 7 is a bottom view of the claimed design shown in FIG. 1;

FIG. 8 is a perspective view of another embodiment of the claimed design;

FIG. 9 is a front view of the claimed design shown in FIG. 8;

FIG. 10 is a rear view of the claimed design shown in FIG. 8;

FIG. 11 is a left side view of the claimed design shown in FIG. 8;

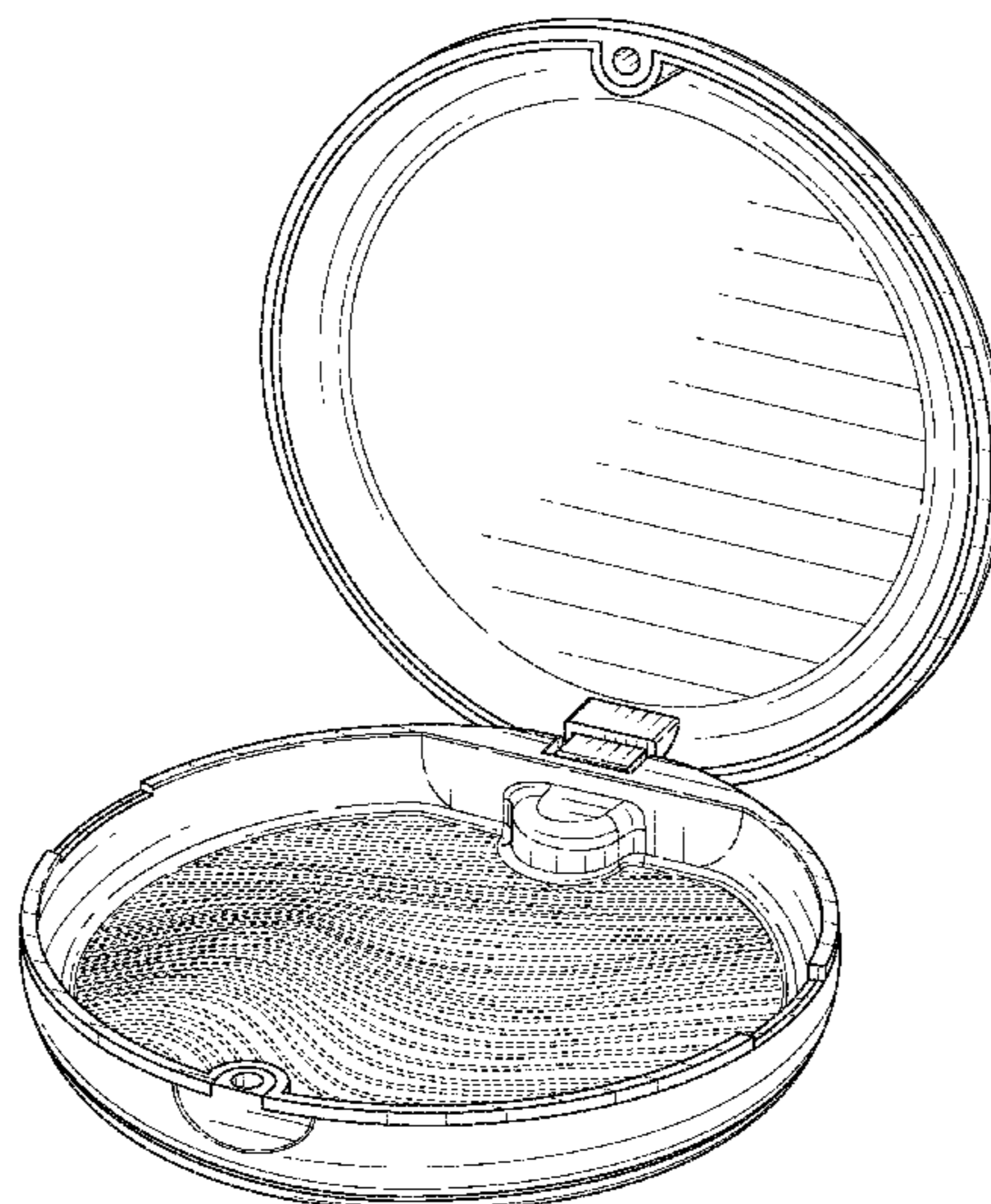
FIG. 12 is a right side view of the claimed design shown in FIG. 8;

FIG. 13 is a top view of the claimed design shown in FIG. 8; and,

FIG. 14 is a bottom view of the claimed design shown in FIG. 8.

The ornamental design that is claimed is shown in the Figures as solid lines and surfaces having surface shading. The broken lines in the Figures are for illustrative purposes only and form no part of the claimed design. Broken lines formed by equal length dashes show unclaimed subject matter. Broken lines formed of unequal length dashes (i.e., dash-dot) define bounds of the claimed design.

1 Claim, 14 Drawing Sheets



US D928,508 S

Page 2

(58) **Field of Classification Search**

USPC D3/293, 294, 301, 327; D6/632;
D24/176; D28/64.6, 82
CPC A45F 5/021; A44B 13/02; A61C 19/02;
A45D 33/008; A45C 11/32; H04W 4/029
See application file for complete search history.

(56)

References Cited

U.S. PATENT DOCUMENTS

2,035,831 A * 3/1936 Parkin A45D 33/006
132/300
2,437,578 A * 3/1948 Williamson A45D 33/008
132/302
D298,362 S * 11/1988 Filiz D28/82
D318,346 S * 7/1991 Bakic D28/82
D342,808 S * 12/1993 Bakic D28/82
6,417,761 B1 7/2002 Elliott
D463,628 S * 9/2002 Thorpe A45D 33/008
D28/82
D469,295 S * 1/2003 Ten Brink A45D 40/222
D6/407
D473,345 S * 4/2003 Thorpe D28/82
D485,015 S * 1/2004 Chue D28/64.1

D525,748 S * 7/2006 Colne D28/82
D531,400 S * 11/2006 Hornsby D3/203.4
D640,556 S * 6/2011 Bragg D9/449
D718,528 S * 12/2014 Garavaglia A45D 33/008
D3/264
D726,377 S 4/2015 Koo
D742,070 S 10/2015 Park
D793,624 S 8/2017 Hwang
D817,755 S * 5/2018 Kim A45D 33/006
D9/420
9,980,799 B2 5/2018 Wilson
D865,180 S * 10/2019 Bauer A45C 13/005
D24/176
10,772,714 B1 * 9/2020 Chapman H04W 4/029
2004/0221866 A1 * 11/2004 Greenfield A45D 40/222
132/287
2006/0191933 A1 * 8/2006 Hicks B65D 47/0804
220/254.3
2008/0283422 A1 11/2008 Jansheski
2014/0014131 A1 * 1/2014 Zhang A45D 33/008
132/316
2018/0000231 A1 1/2018 Trubey
2018/0000563 A1 1/2018 Shanjani et al.
2018/0177277 A1 * 6/2018 Dinata A45D 33/006
2020/0390523 A1 * 12/2020 Sato A61C 19/02

* cited by examiner

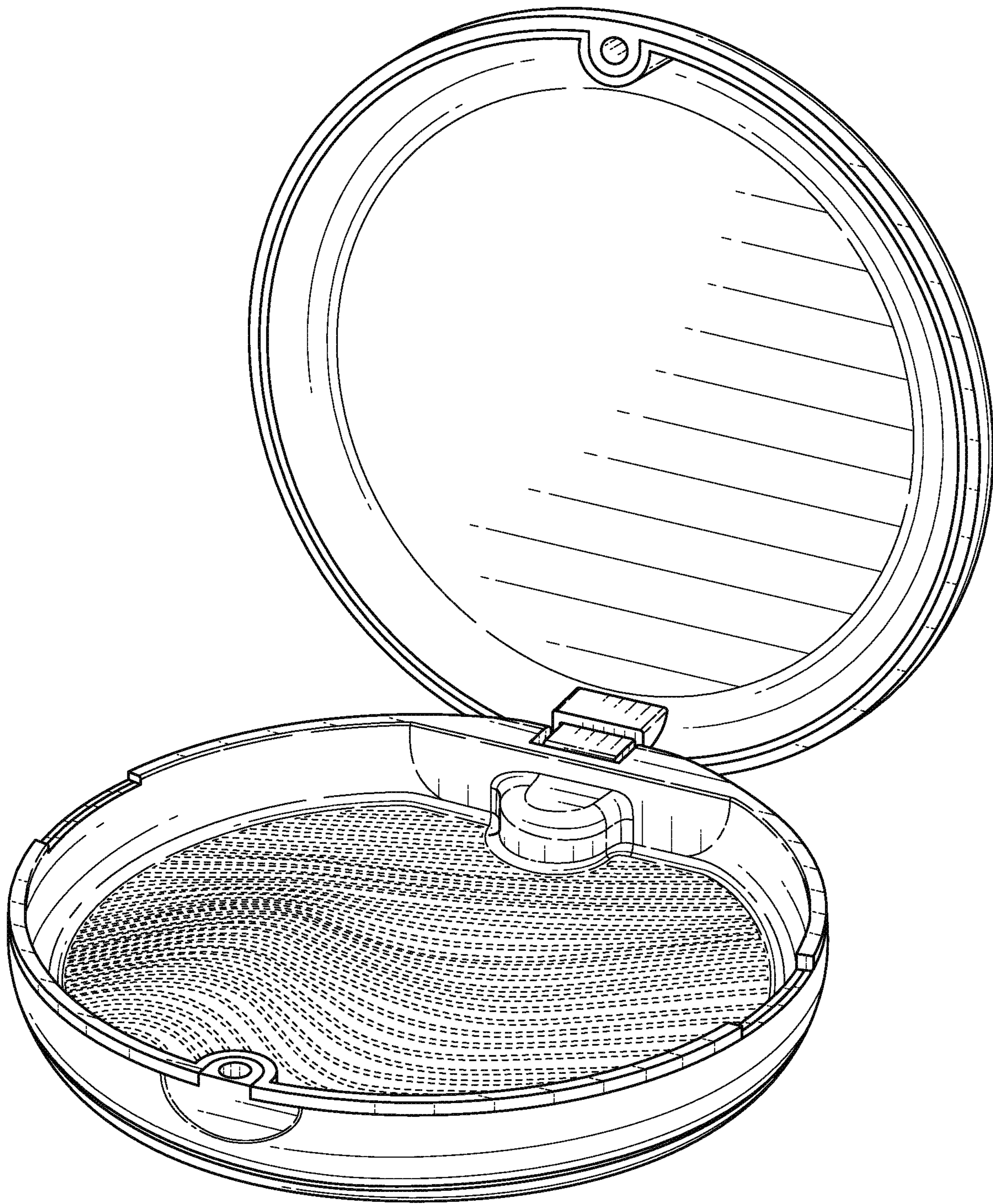


FIG. 1

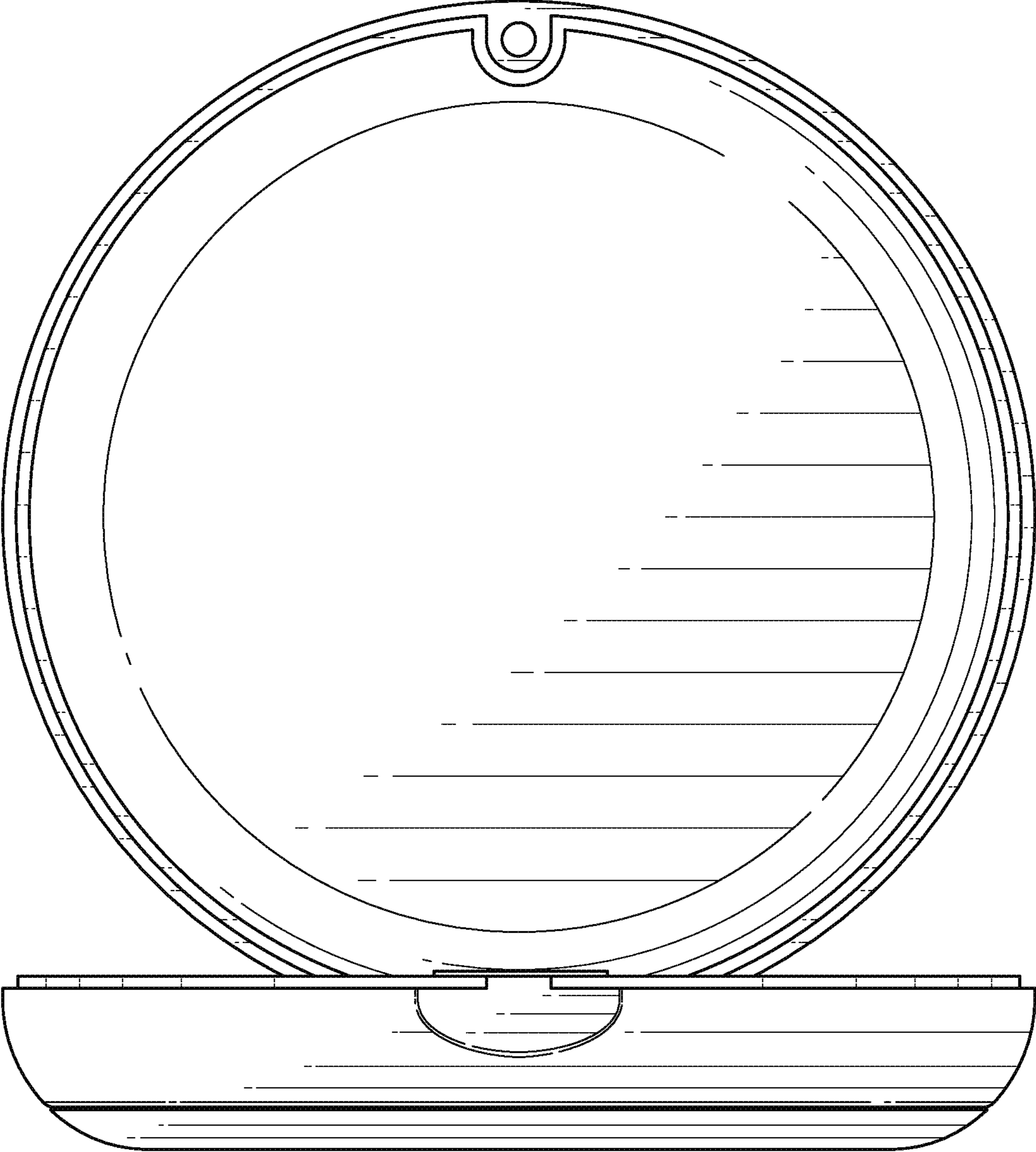


FIG. 2

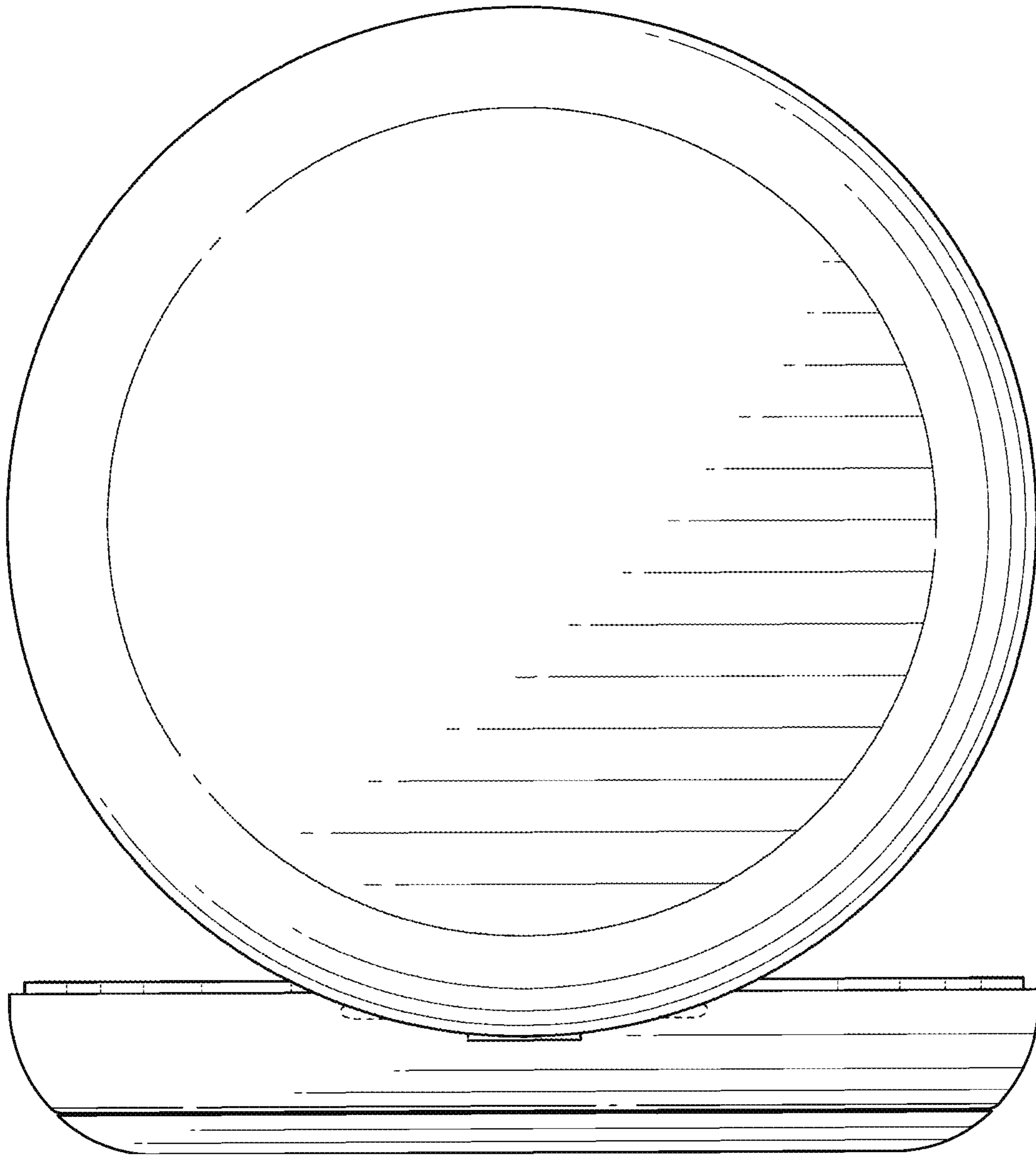


FIG. 3

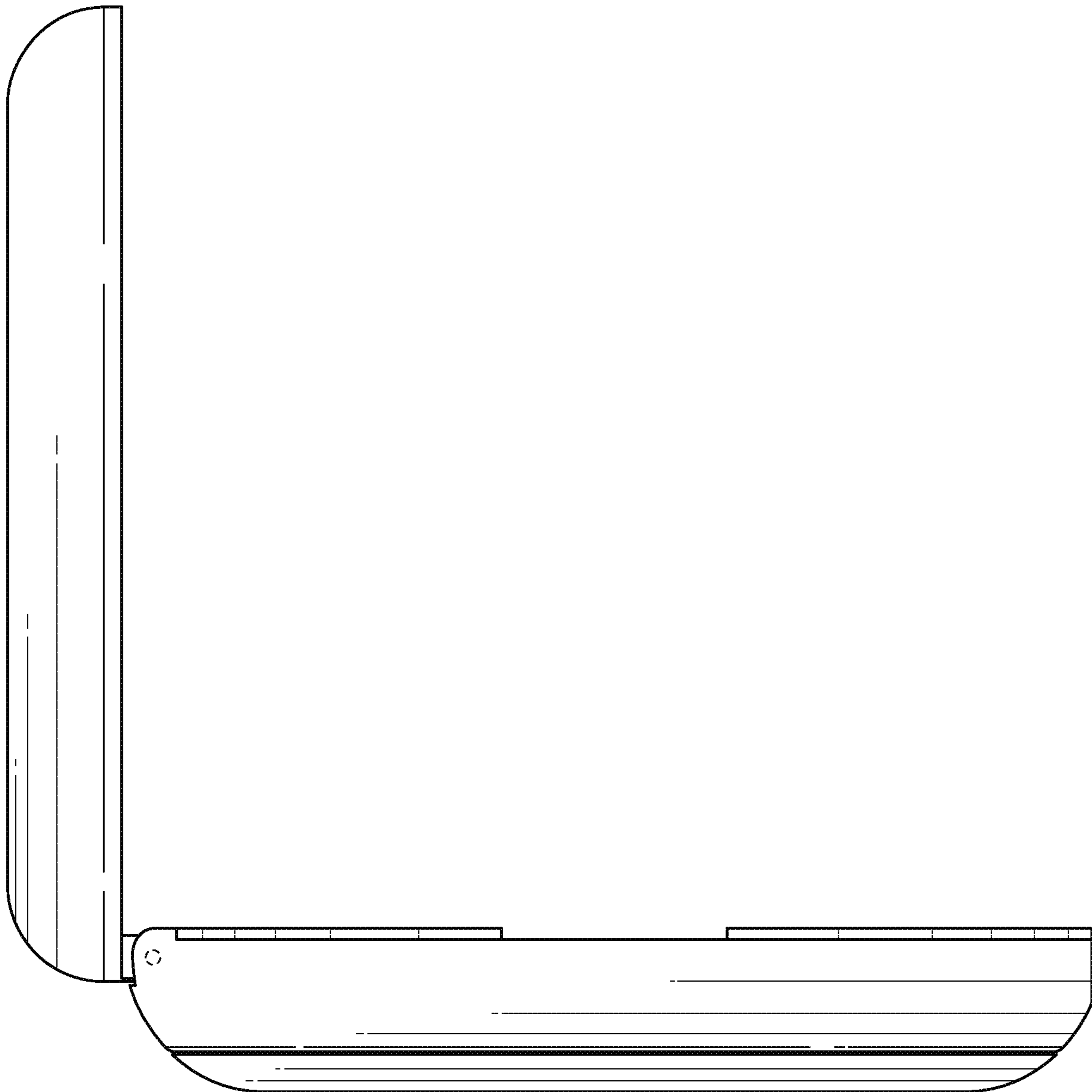


FIG. 4

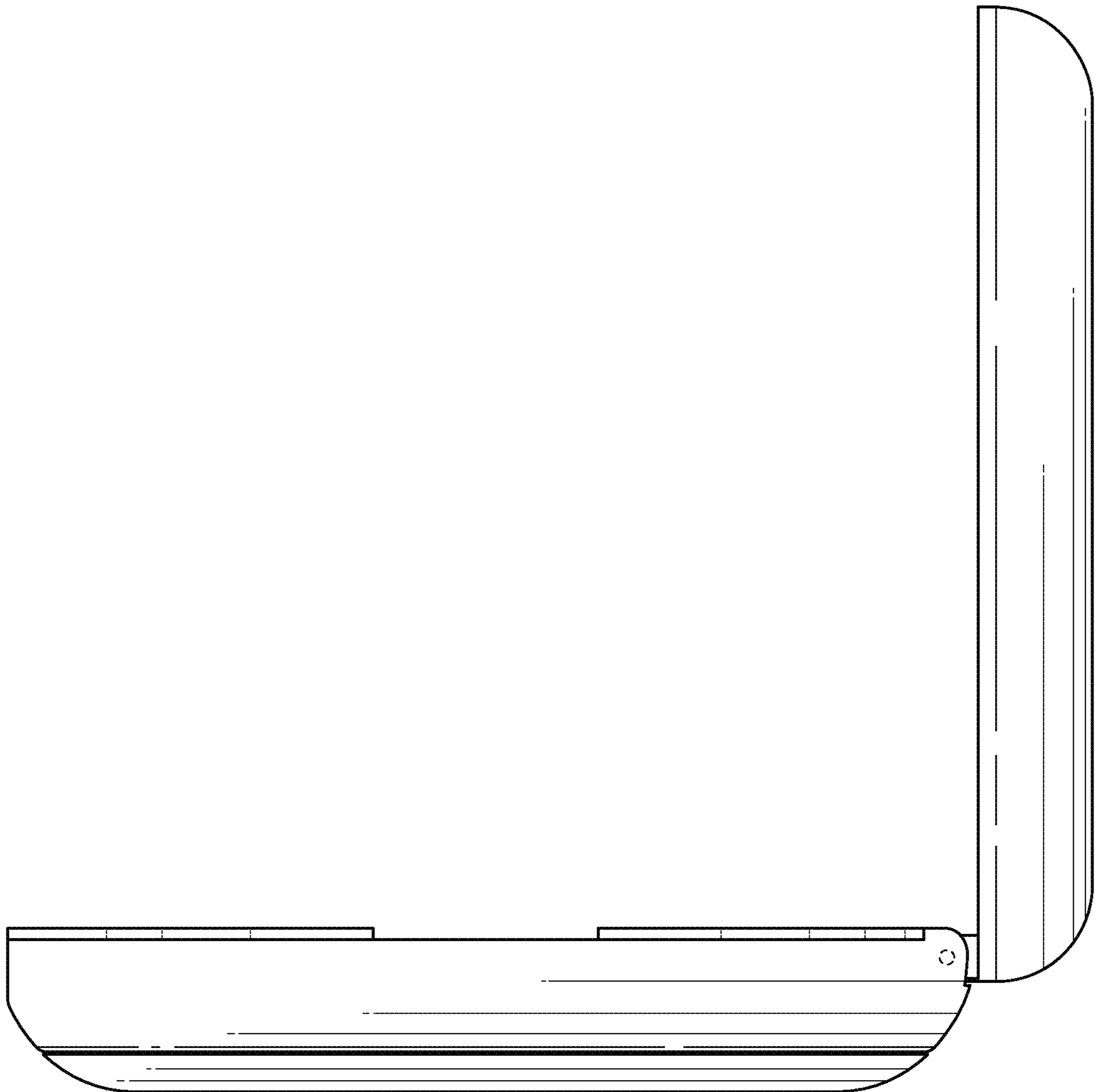


FIG. 5

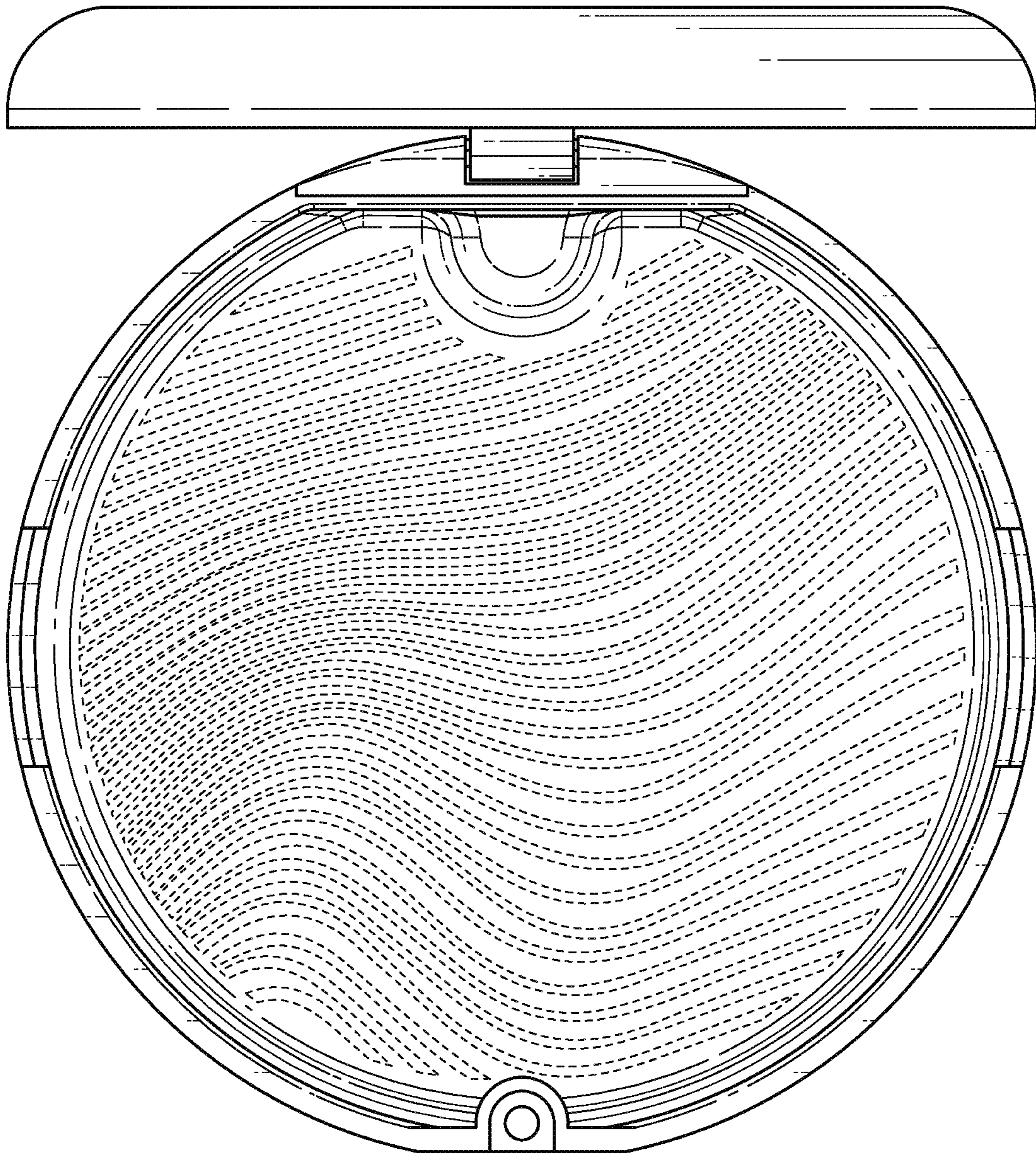


FIG. 6

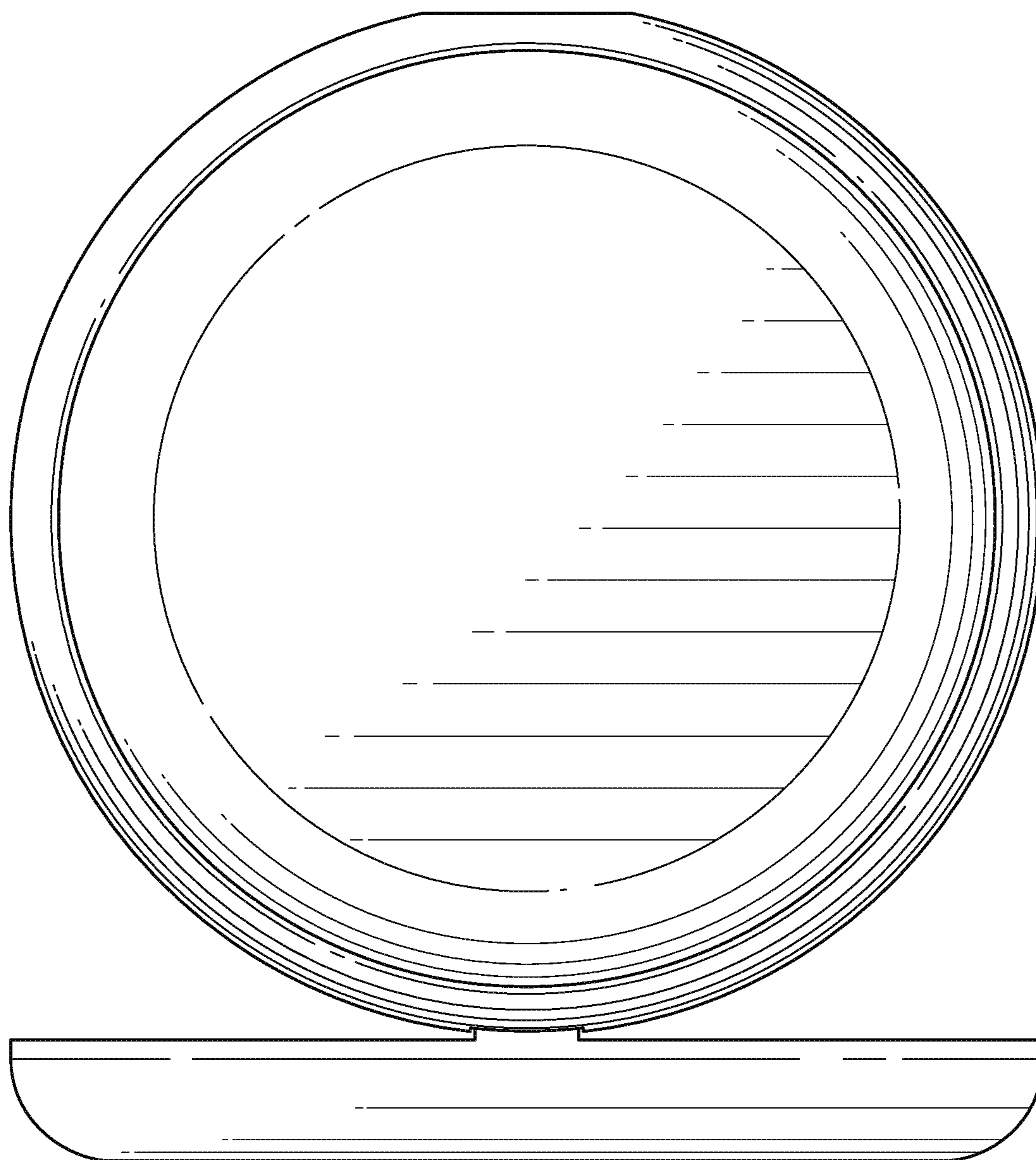


FIG. 7

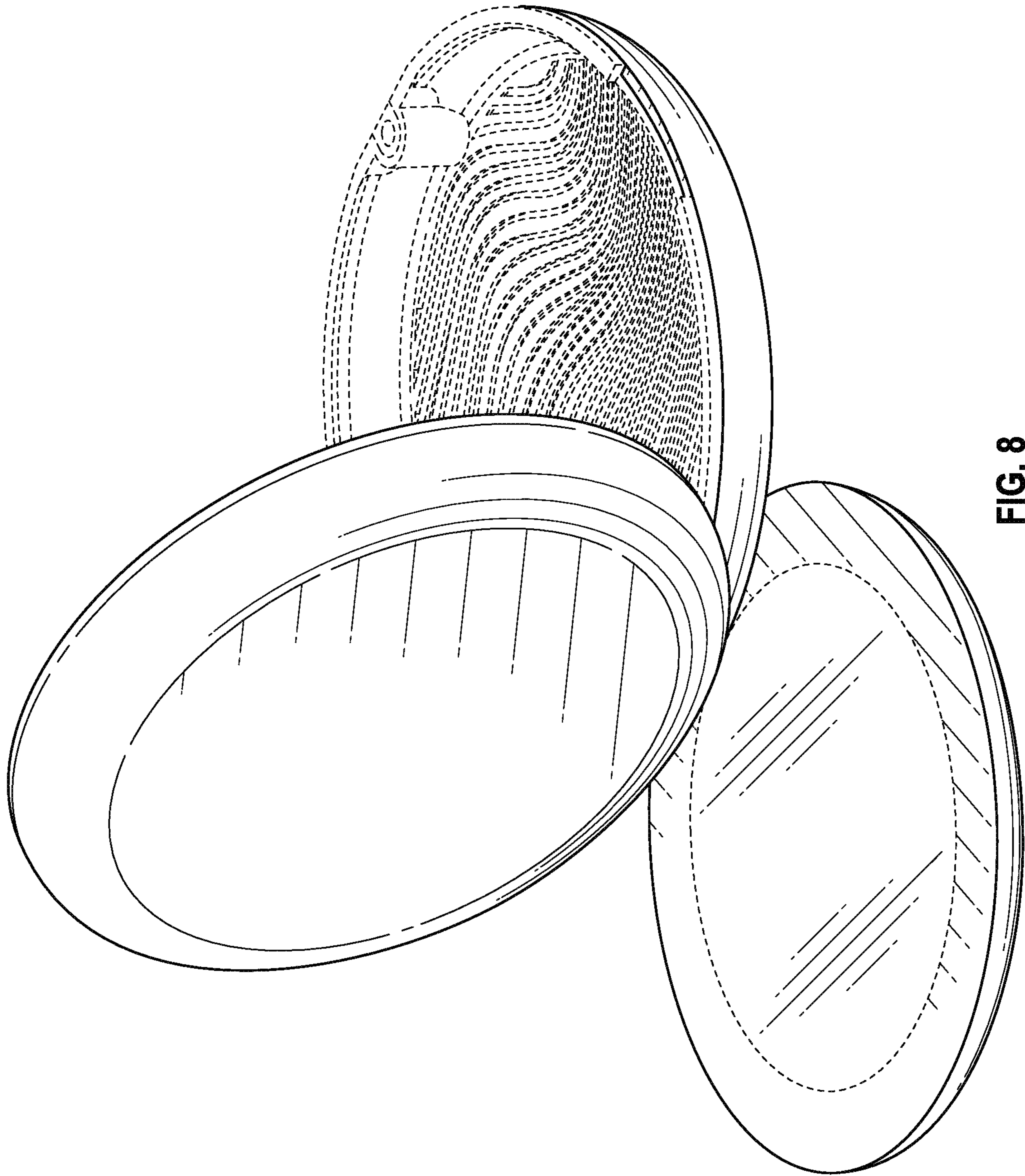


FIG. 8

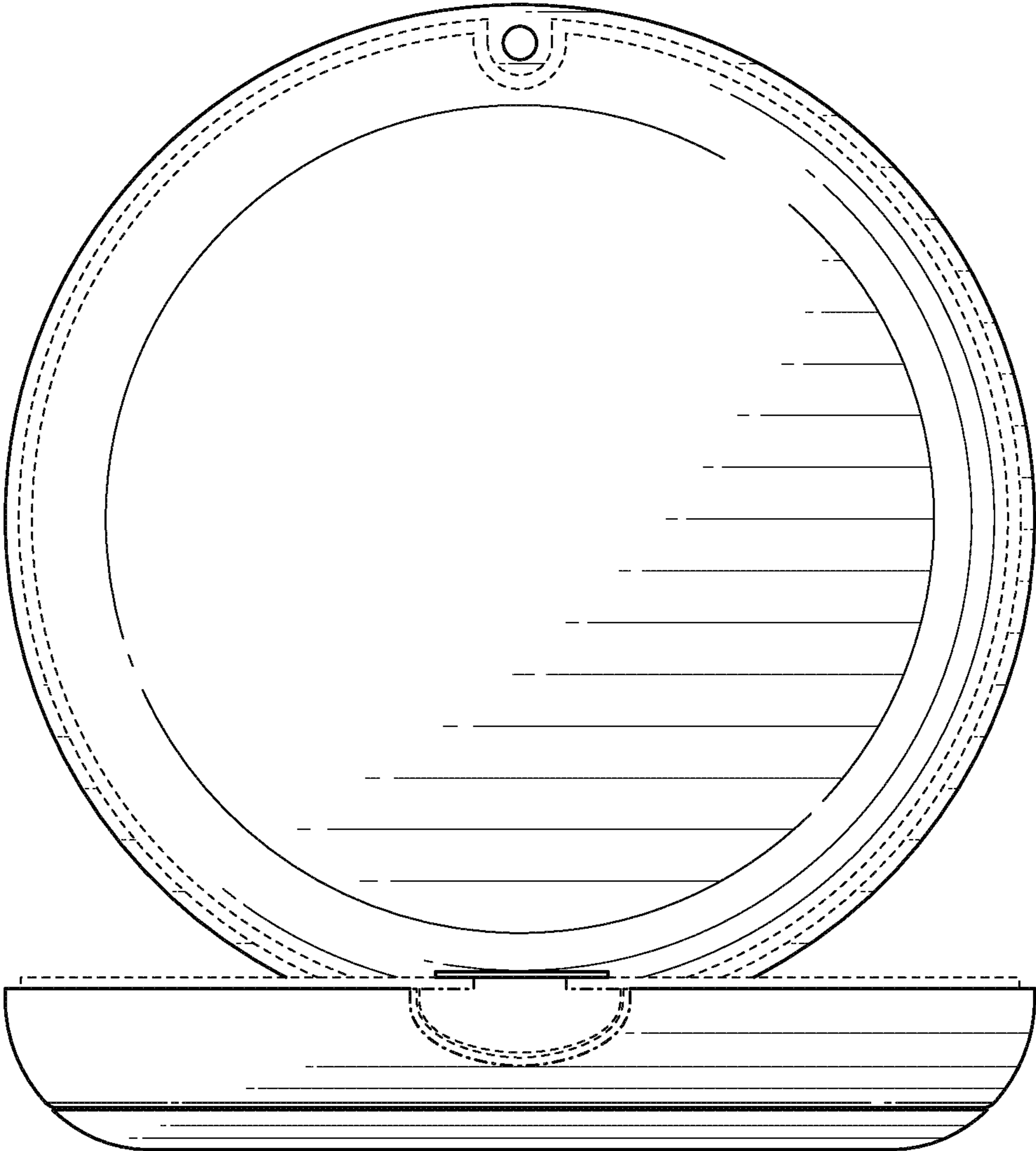


FIG. 9

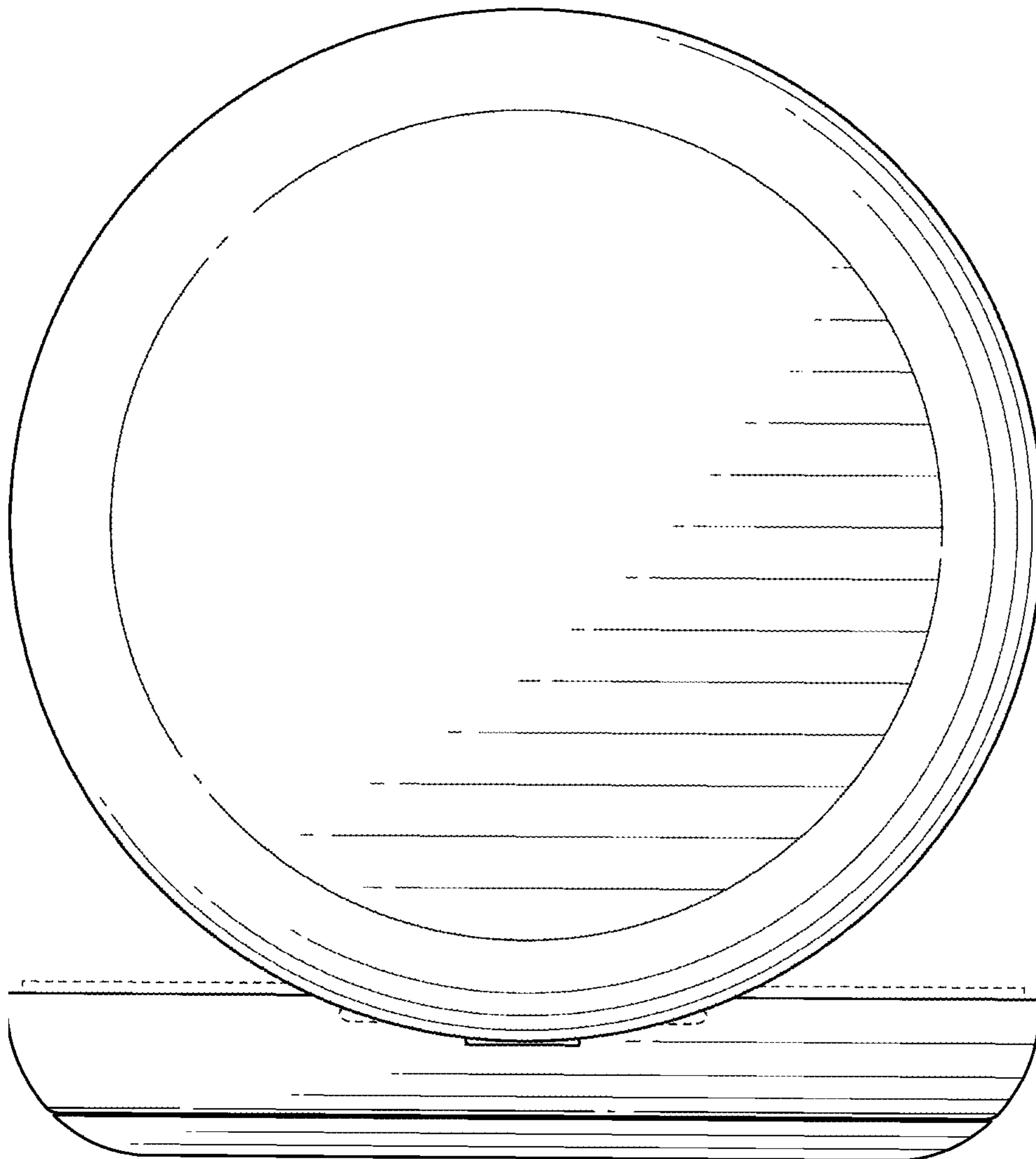


FIG. 10

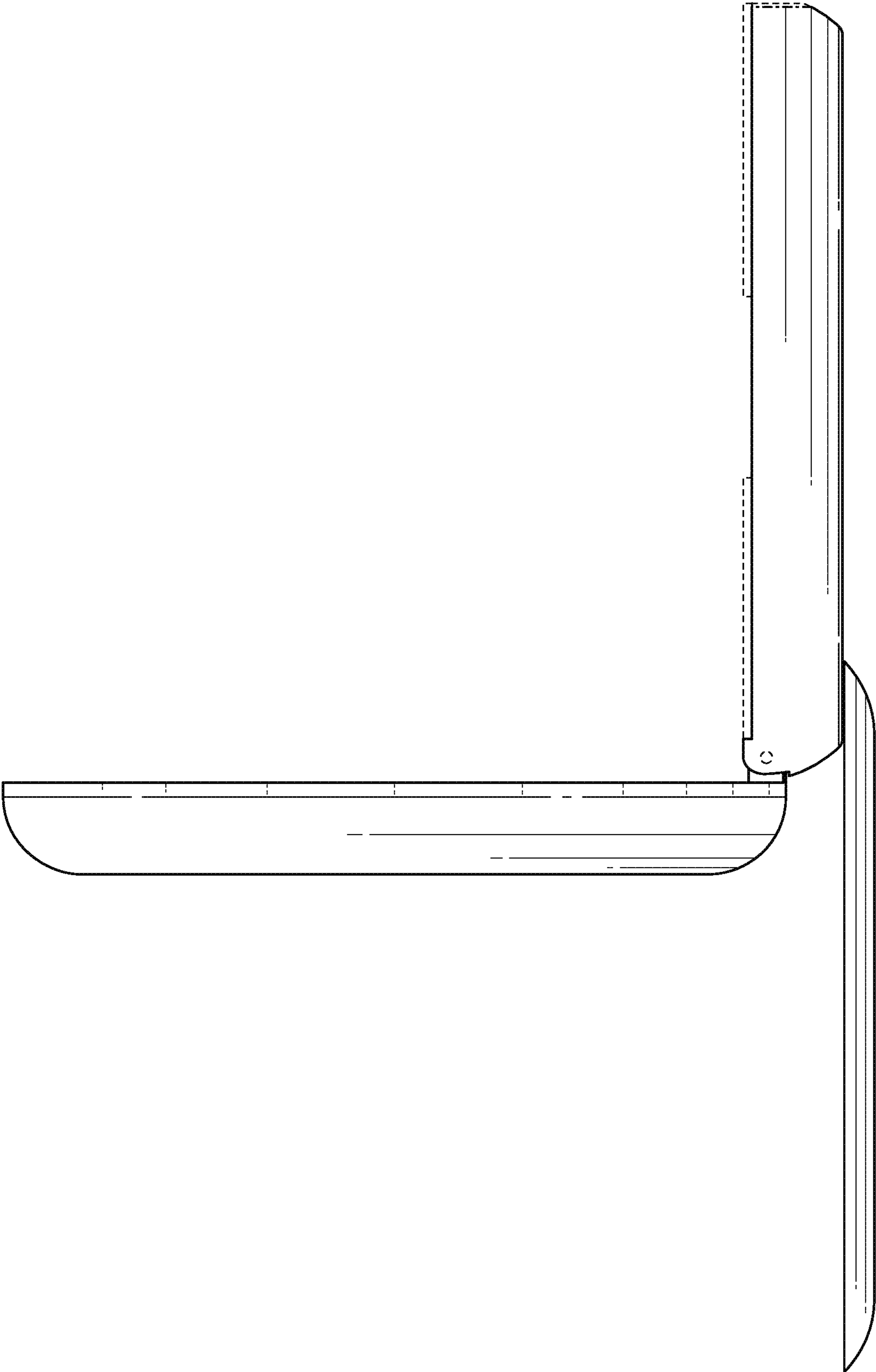


FIG. 11

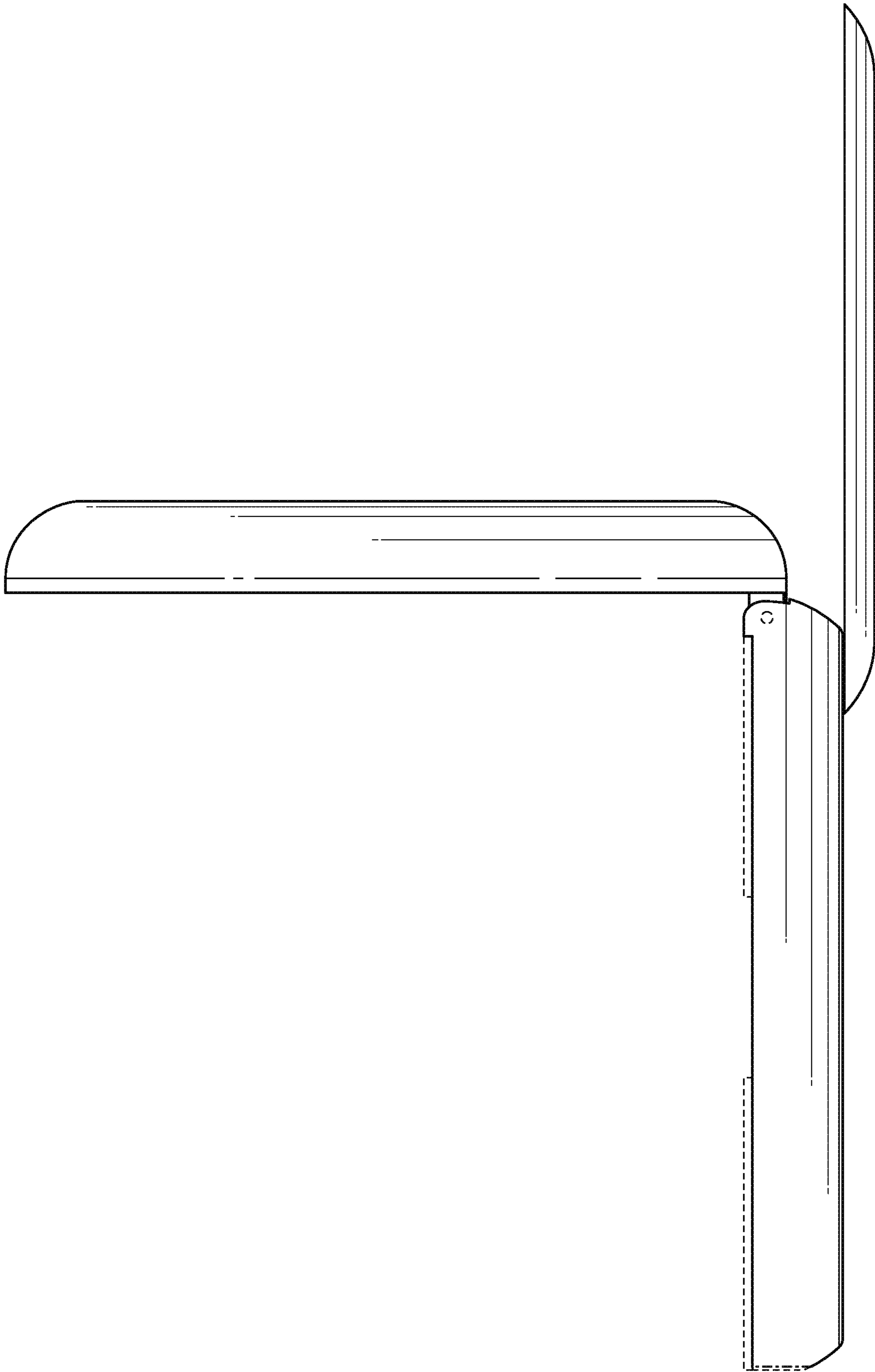


FIG. 12

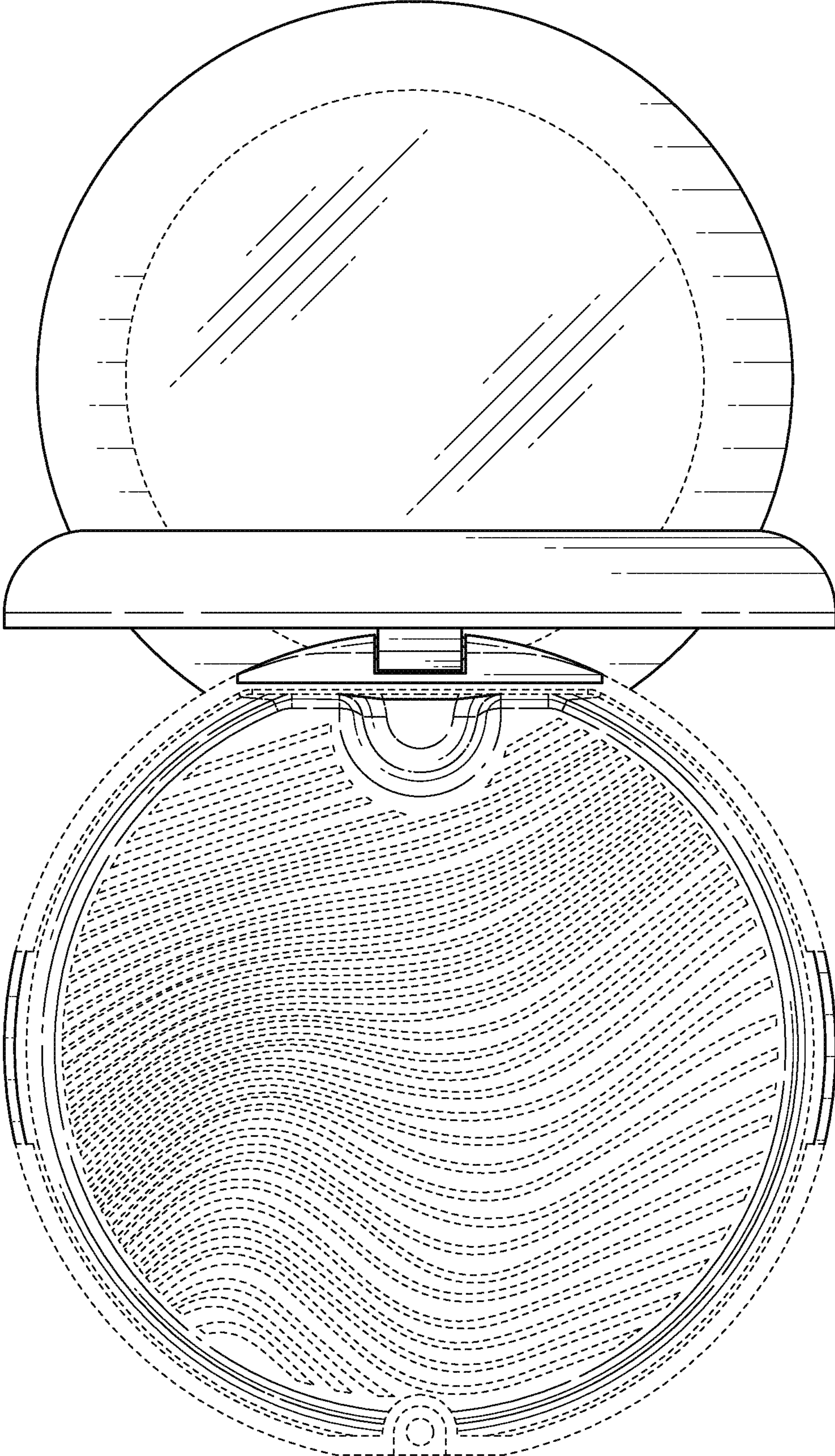


FIG. 13

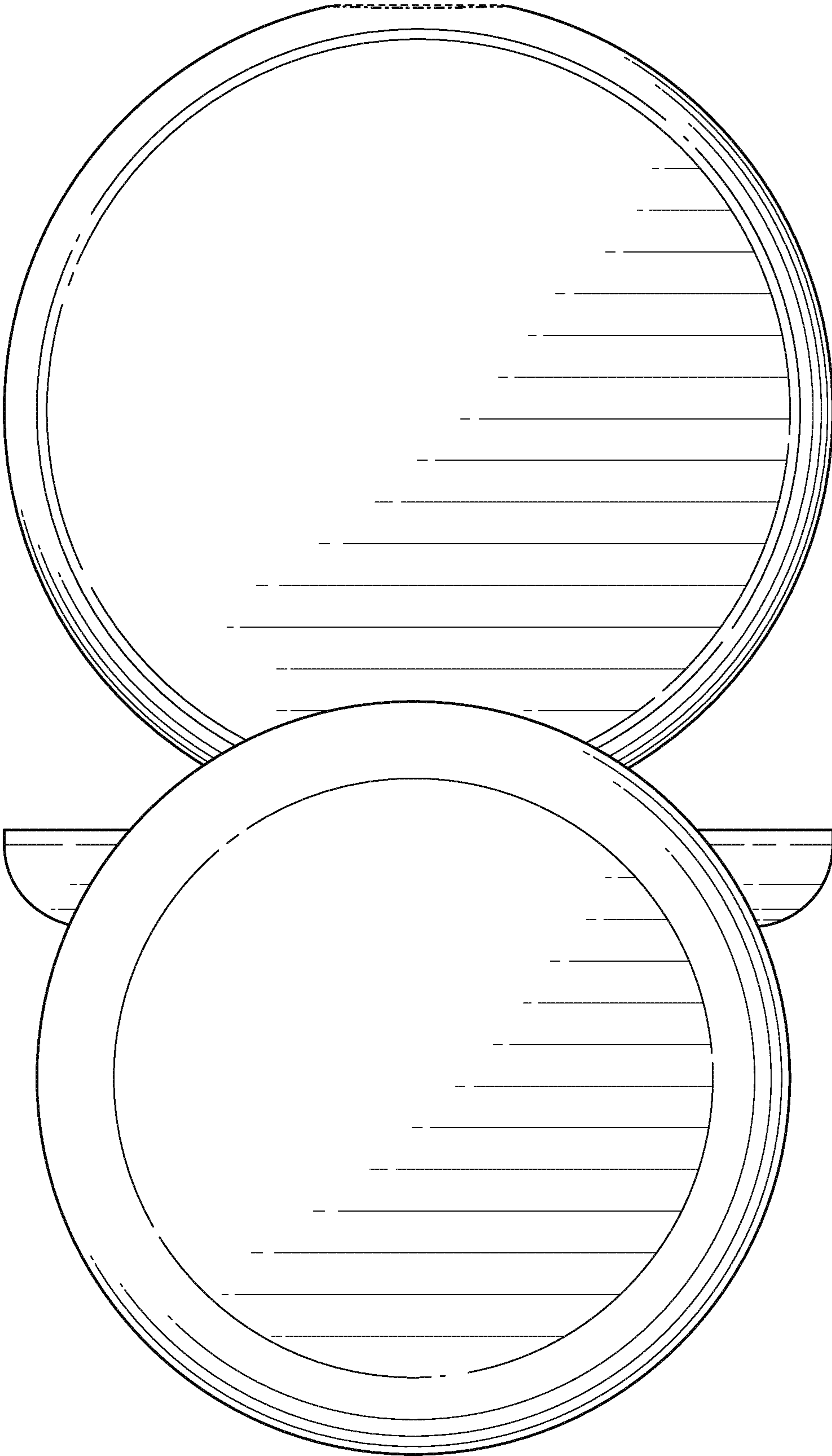


FIG. 14