



US00D928503S

(12) **United States Design Patent**
Cai

(10) **Patent No.:** **US D928,503 S**

(45) **Date of Patent:** **** Aug. 24, 2021**

(54) **HOLSTER**

D841,320 S * 2/2019 Tang D3/222
D874,131 S 2/2020 Zhang
D912,399 S * 3/2021 Sun D3/222

(71) Applicant: **Suo Cai**, Nanyang (CN)

(72) Inventor: **Suo Cai**, Nanyang (CN)

(**) Term: **15 Years**

(21) Appl. No.: **29/764,147**

(22) Filed: **Dec. 29, 2020**

(51) **LOC (13) Cl.** **03-01**

(52) **U.S. Cl.**
USPC **D3/222**

(58) **Field of Classification Search**
USPC D3/222; 224/191–193, 197–198, 238,
224/243–244, 246, 587, 682, 901.4,
224/911–912

CPC .. A45F 5/00; A45F 5/021; A45F 5/022; A45F
2200/05; A45F 2005/05; A45F 2200/025;
A45F 2200/0591; F41C 33/06; F41C
33/045; F41C 33/0227; F41C 33/0263

See application file for complete search history.

(56) **References Cited**

U.S. PATENT DOCUMENTS

7,290,688 B2 * 11/2007 Pikielny F41C 33/0209
224/243
D784,008 S 4/2017 Rogers et al.
D801,041 S * 10/2017 Lance F41C 33/0254
D3/222
D838,474 S * 1/2019 Tang D3/222

OTHER PUBLICATIONS

Concealment Express OWB Paddle Kydex Holster (Carbon Fiber Black)—Outside Waistband https://www.amazon.com/Concealment-Express-Paddle-KYDEX-Holster/dp/B07SGGP7WT/ref=sr_1_6?dchild=1&keywords=concealment+express+holsters+with+paddle&qid=1620347900&sr=8-6 (Year: 2019).*

* cited by examiner

Primary Examiner — Catherine R Oliver-Garcia

(57) **CLAIM**

The ornamental design for a holster, as shown and described.

DESCRIPTION

FIG. 1 is a perspective view of a holster showing my new design;

FIG. 2 is another perspective view thereof;

FIG. 3 is a front elevational view thereof;

FIG. 4 is a rear elevational view thereof;

FIG. 5 is a left side elevational view thereof;

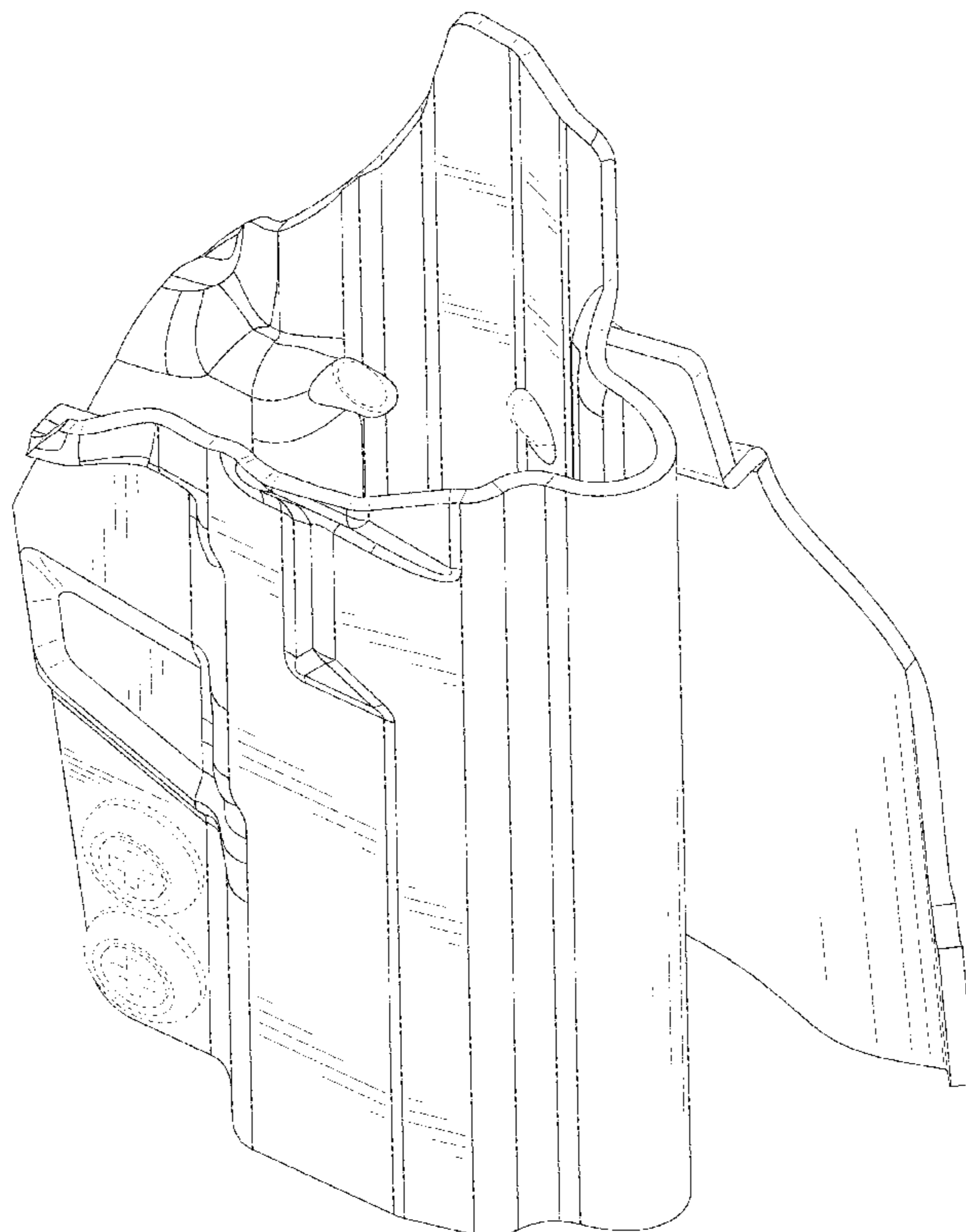
FIG. 6 is a right side elevational view thereof;

FIG. 7 is a top plan view thereof; and,

FIG. 8 is a bottom plan view thereof.

The broken lines in the drawings depict portions of the holster that form no part of the claimed design.

1 Claim, 8 Drawing Sheets



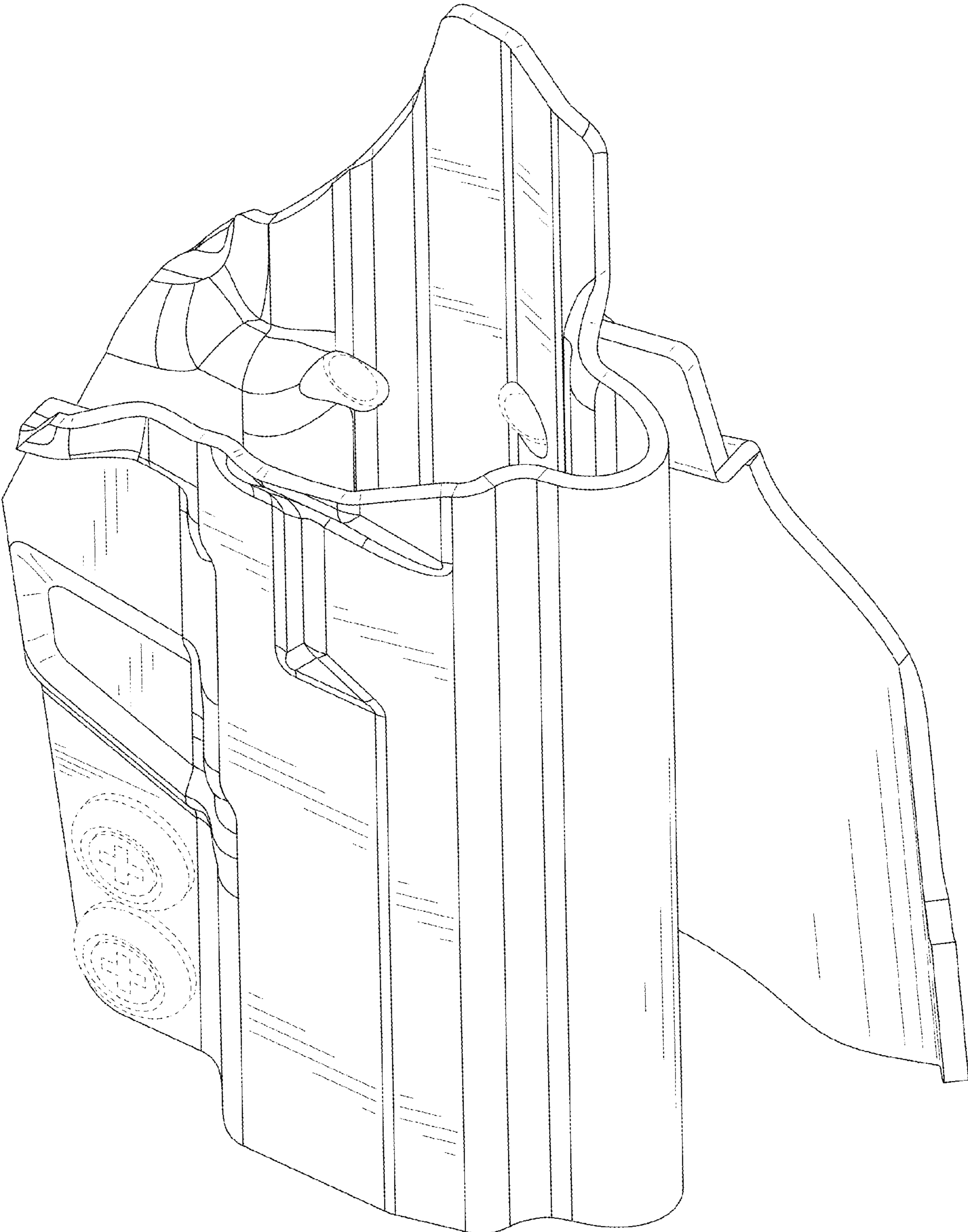


FIG. 1

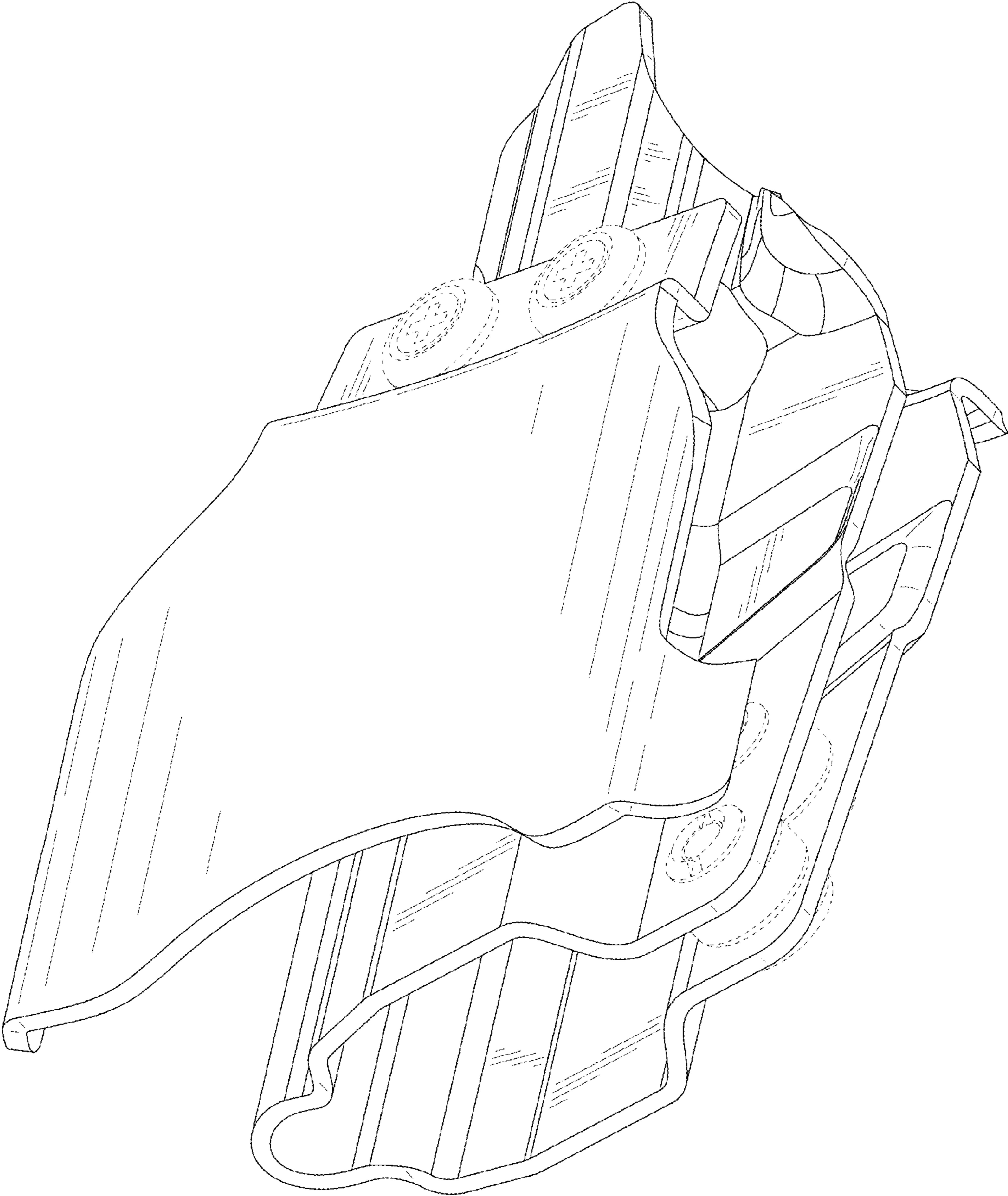


FIG. 2

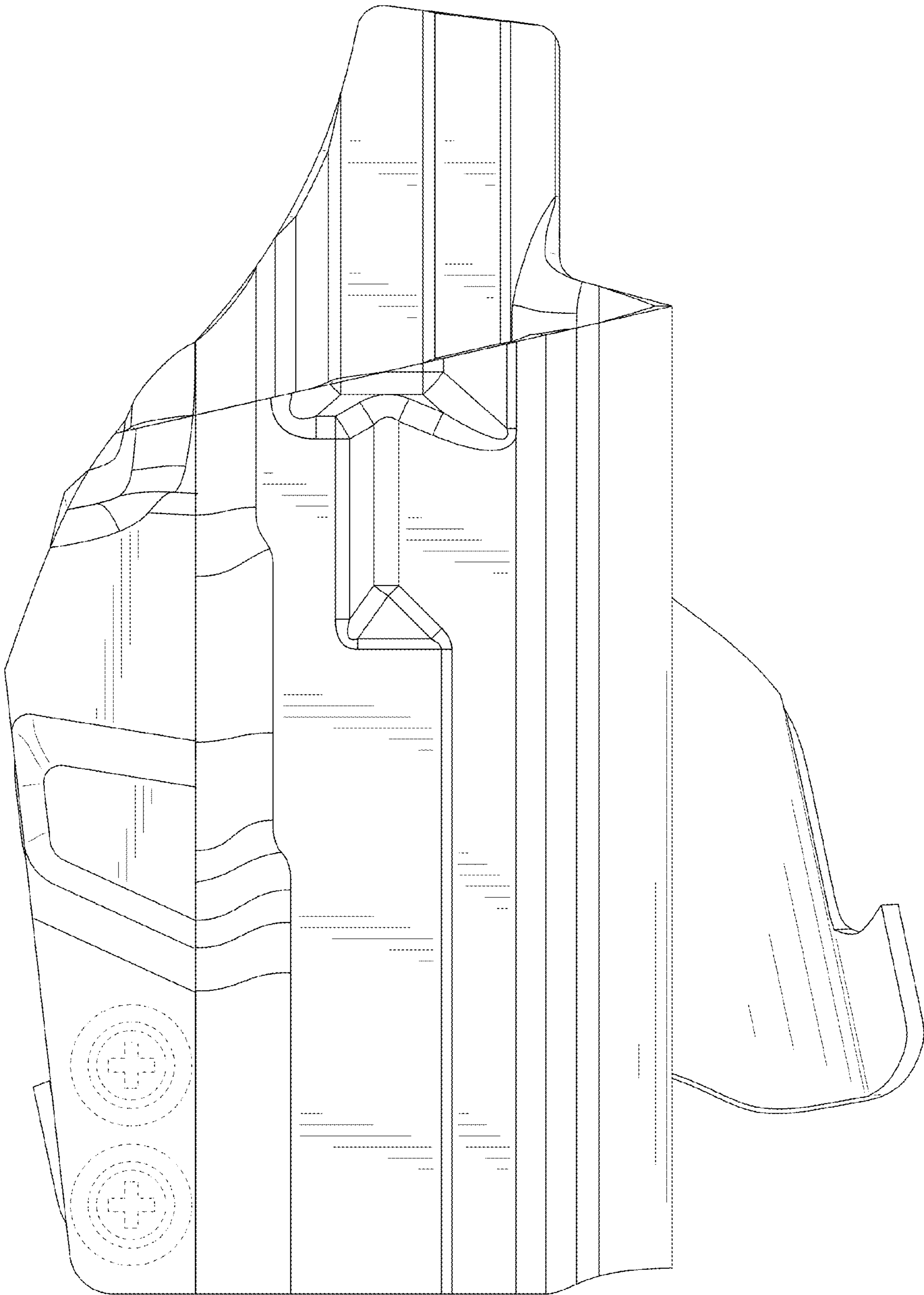


FIG. 3

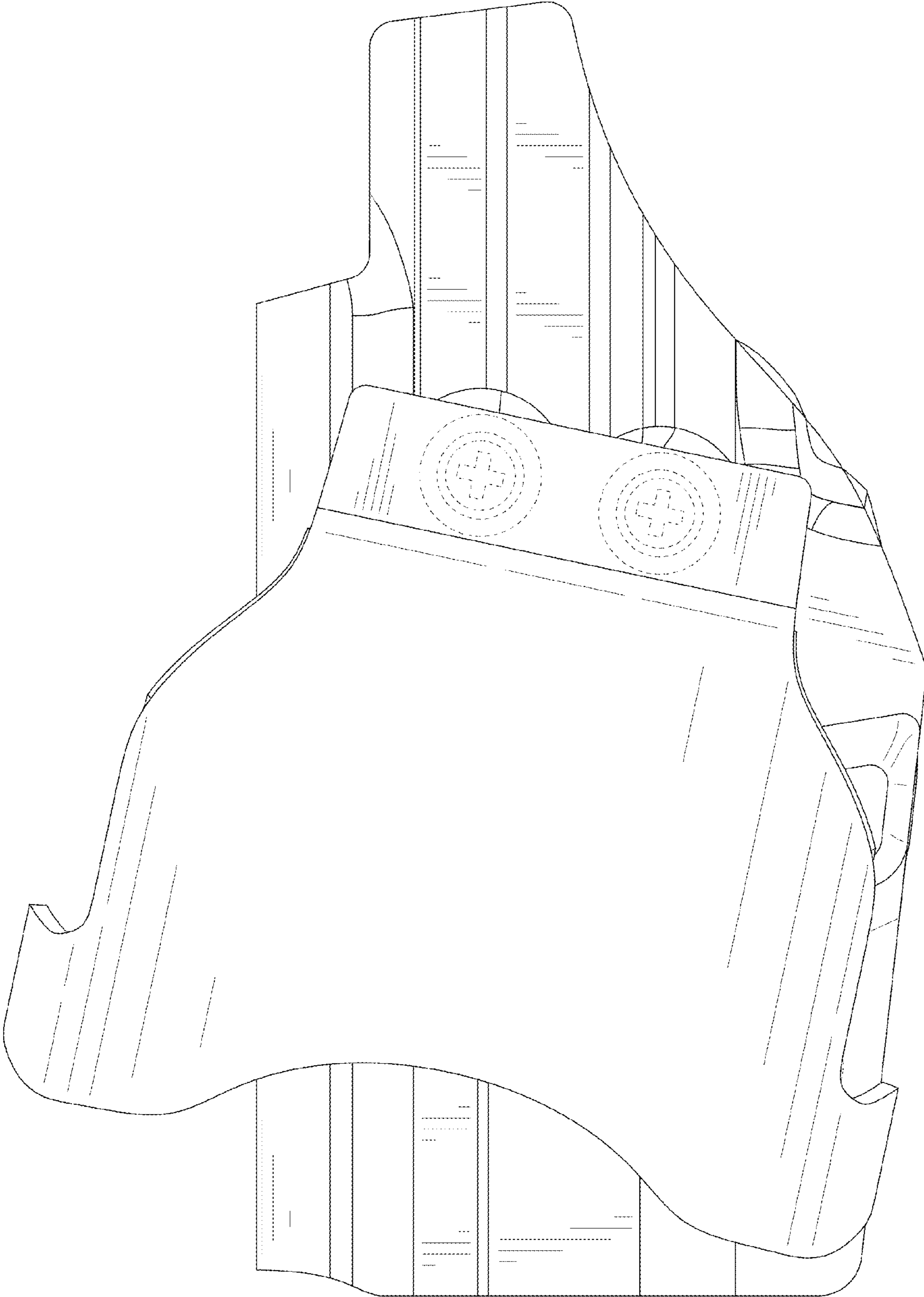


FIG. 4

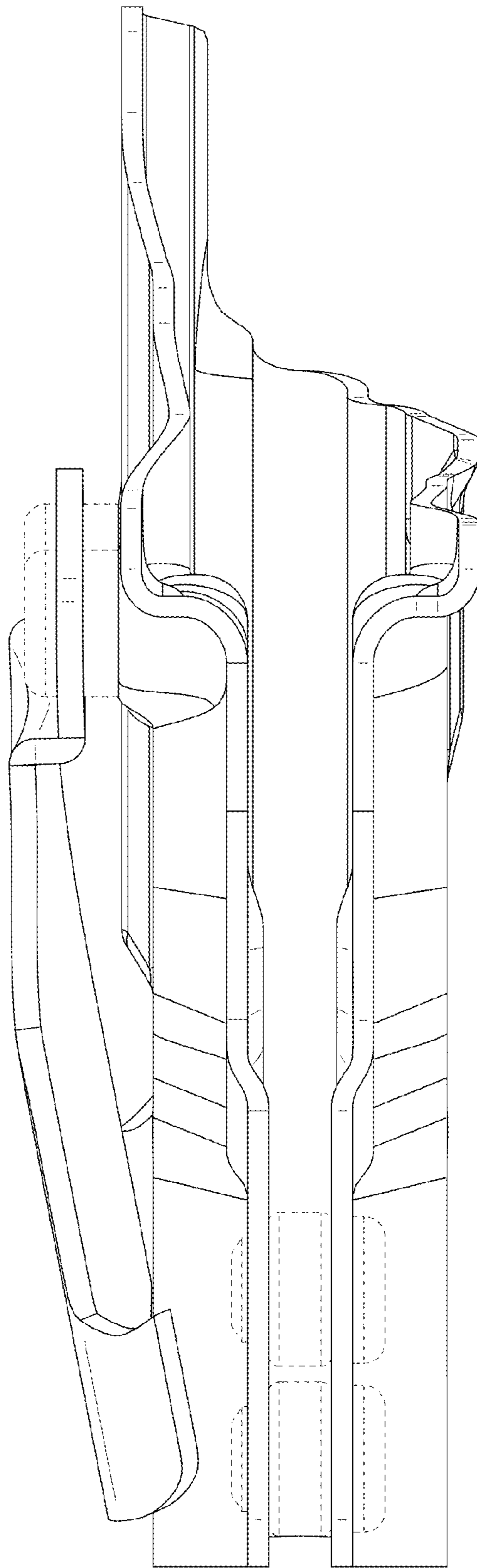


FIG. 5

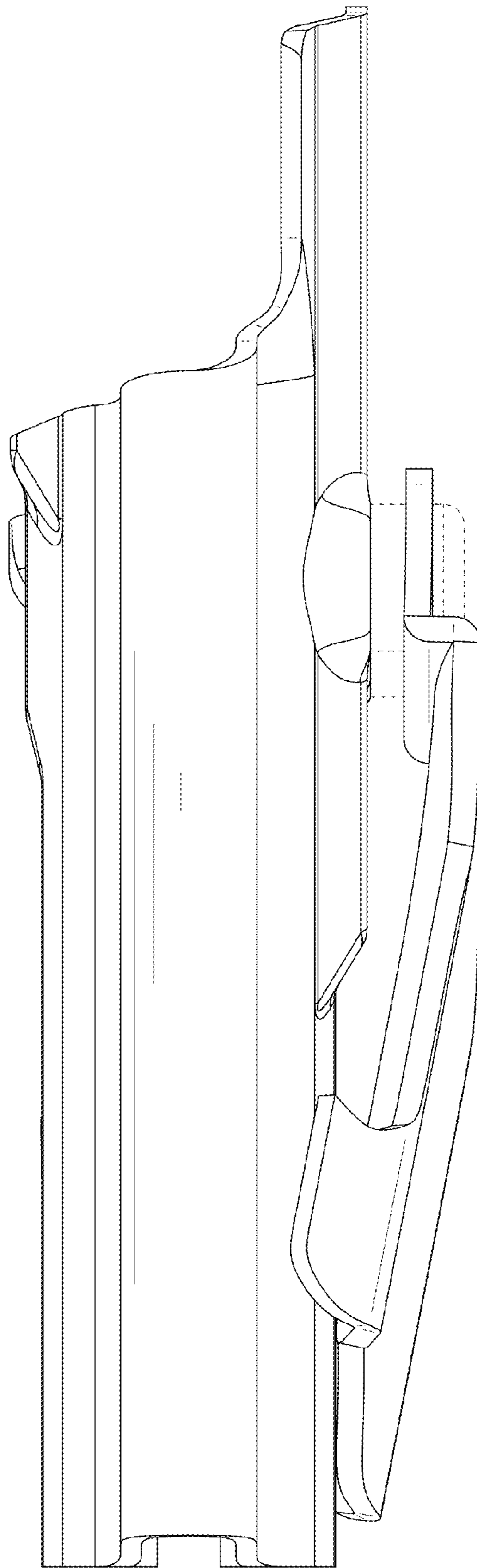


FIG. 6

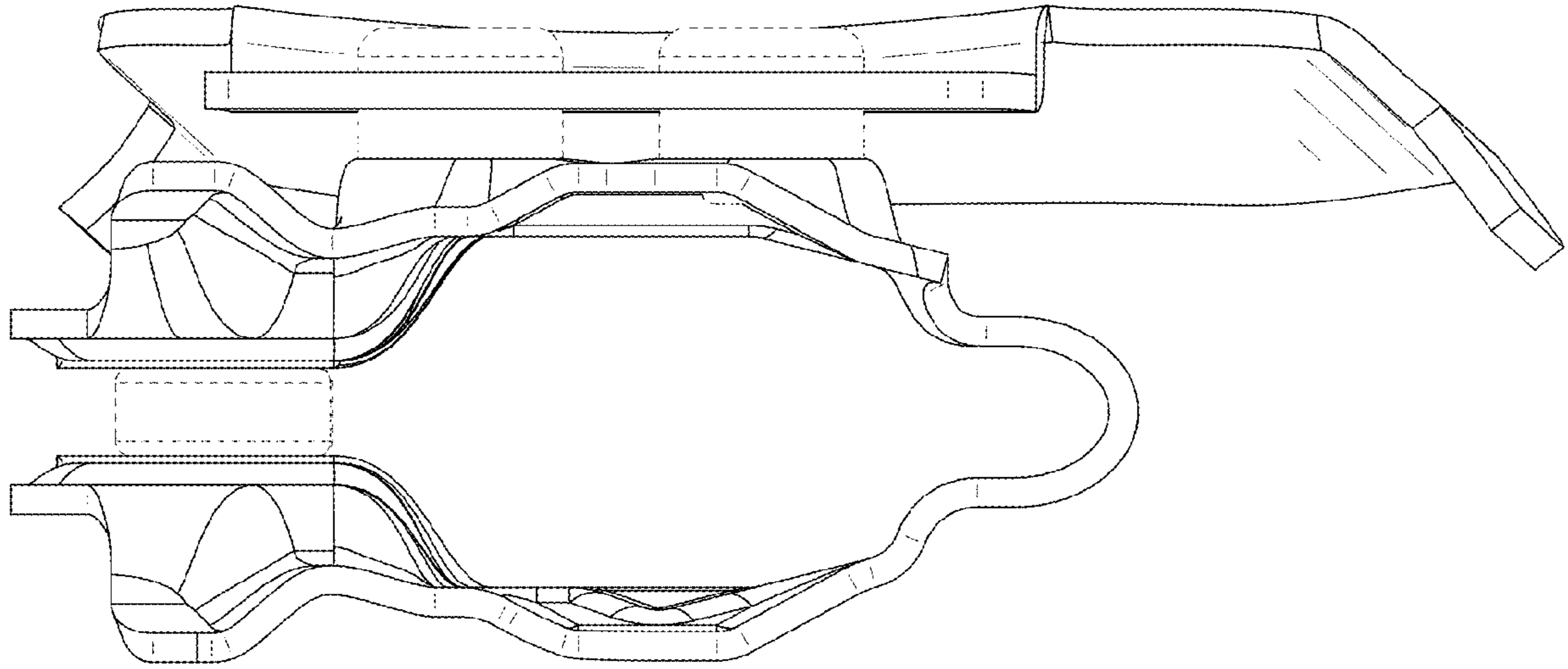


FIG. 7

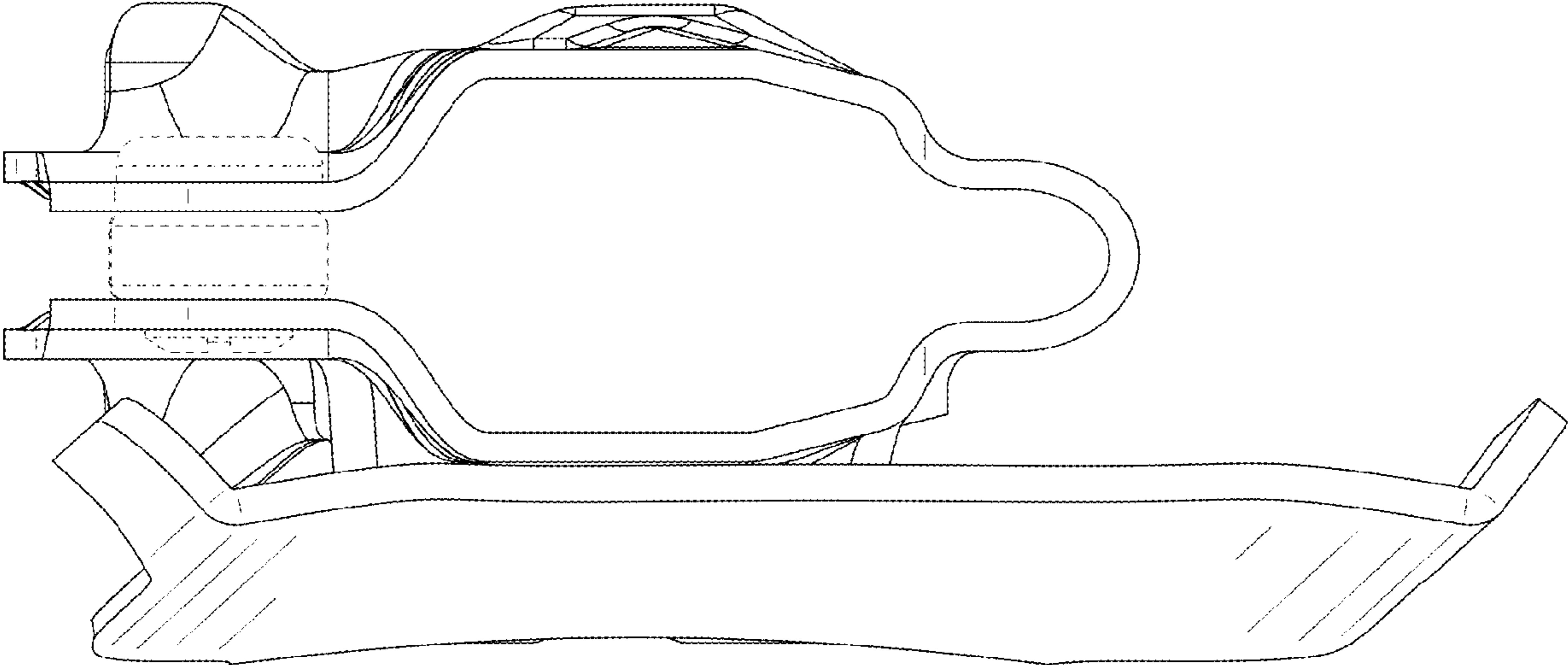


FIG. 8