



US00D928502S

(12) **United States Design Patent** (10) **Patent No.:** **US D928,502 S**
Weng (45) **Date of Patent:** **** Aug. 24, 2021**

(54) **OUTER HOUSING FOR EARPHONE CHARGING CASE**

(71) Applicant: **SHENZHEN GUANGYIPENG TECHNOLOGY CO., LTD.**, Shenzhen (CN)

(72) Inventor: **Jie Weng**, Shenzhen (CN)

(73) Assignee: **SHENZHEN GUANGYIPENG TECHNOLOGY CO., LTD.**, Shenzhen (CN)

(**) Term: **15 Years**

(21) Appl. No.: **29/719,502**

(22) Filed: **Jan. 6, 2020**

(51) **LOC (13) Cl.** **03-01**

(52) **U.S. Cl.**
USPC **D3/218; D3/294**

(58) **Field of Classification Search**
USPC D3/201, 218, 269, 271.1, 271.2, 273, D3/294; D13/107-108; D14/204-207, D14/217, 223, 440
CPC H02J 7/0003; H02J 7/0007; H02J 7/0027; H02J 7/0042; H02J 7/0044; H02J 7/0045; H02J 7/0068; H02J 7/025; H02J 7/026; H02J 7/342; H02J 7/345; H02J 50/00; H02J 50/10; H02J 50/12; H02J 50/40; H02J 50/50; H02J 50/80; H02J 50/042; A45C 2011/001; A45C 2011/002; A45C 2011/003; A45C 11/005; A45C 11/04; A45C 11/16; A45C 13/002; A45C 13/025; A45C 13/005; A47F 7/02; A47F 7/03; A47F 23/06; G06F 1/1628; H04R 1/10; H04R 1/1016; H04R 1/1025; H04R 1/1033; H04R 1/1058; H04R 1/105; H04R 1/1091; H04R 1/02; H04R 25/00; H04R 25/02; B65D 1/02

See application file for complete search history.

(56) **References Cited**

U.S. PATENT DOCUMENTS

D775,818	S	*	1/2017	Ingraham	D3/218
D869,147	S	*	12/2019	Lian	D3/201
D881,566	S	*	4/2020	Lee	D3/201
D882,259	S	*	4/2020	Liu	D3/269
D893,170	S	*	8/2020	Lee	D3/218

(Continued)

OTHER PUBLICATIONS

Earphone Case Carbon Fiber Dustproof Durable Protective Case, walmart.com/ip/Earphone-Case-Carbon-Fiber-Dustproof-Durable-Protective-Case-Headset-Protector-Shell-for-Airpods-Pro-Earbuds/924260112?wmlspartner=wlp&selectedSellerId=101036422&&adid=2222222227402938987&w10=&w11=g&w12=c&w13=502067746042&w14=pla-1185602847976&w15=9008148&w16=&w17=&w18=&w19=pla&w110=263225049&w111=online&w112=924260112&veh=sem&gclid=EA1alQobChMlvZvFkJLh8QIVAAa7ICh1cUQ_-EAQYFSABEGkQkFD_BwE&gclsrc=aw.ds (Year: 2021).*

Primary Examiner — Catherine R Oliver-Garcia

(57) **CLAIM**

The ornamental design for an outer housing for earphone charging case, as shown and described.

DESCRIPTION

FIG. 1 is a perspective view of an outer housing for earphone charging case showing my new design;
FIG. 2 is another perspective thereof;
FIG. 3 is a front elevational view thereof;
FIG. 4 is a rear elevational view thereof;
FIG. 5 is a left side elevational view thereof;
FIG. 6 is a right side elevational view thereof;
FIG. 7 is a top plan view thereof;
FIG. 8 is a bottom plan view thereof;
FIG. 9 is a perspective view of the outer housing for earphone charging case where the outer housing for earphone charging case is in an open state; and,

(Continued)

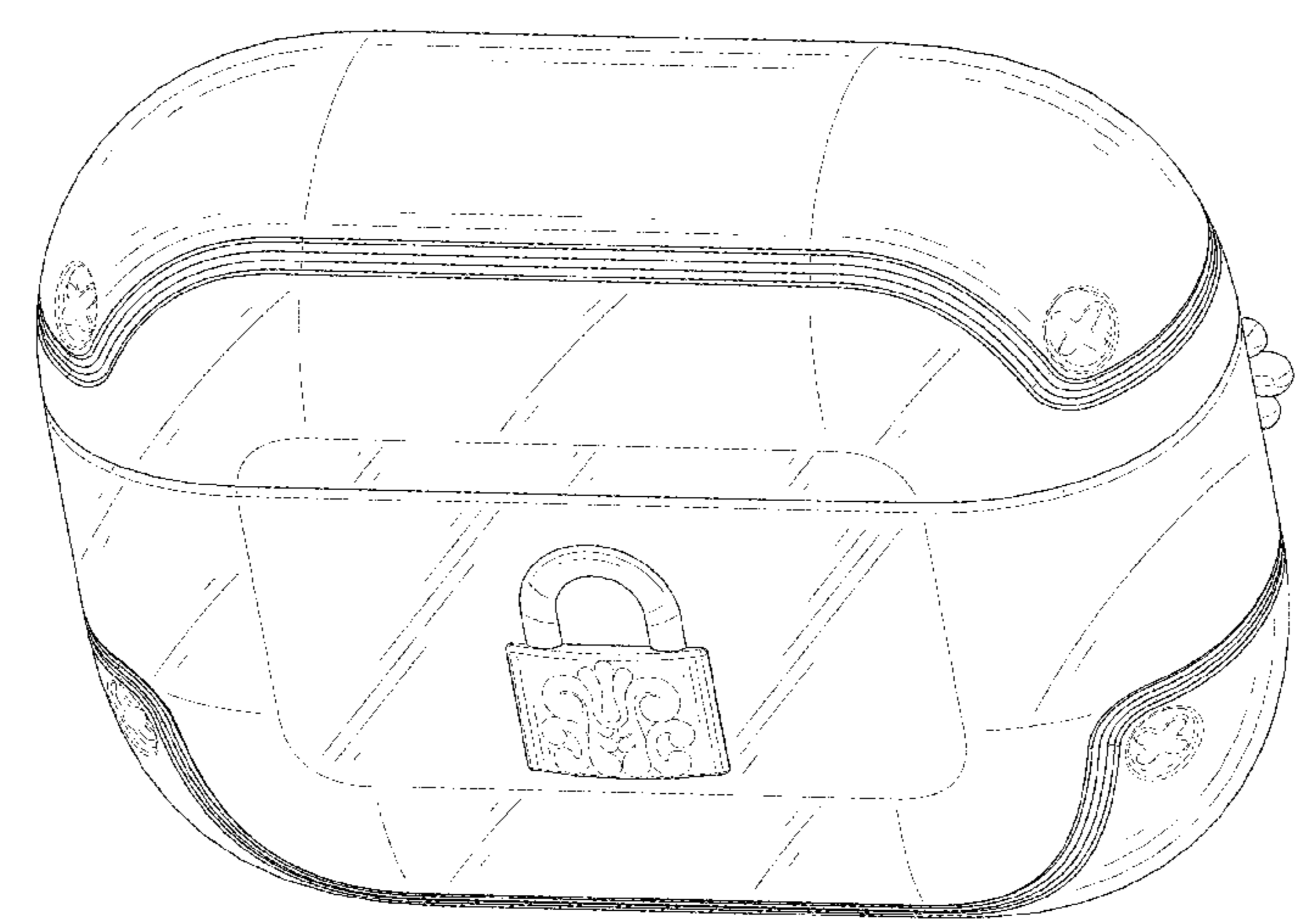


FIG. 10 is a cross-sectional view of the outer housing for earphone charging case taken along the line 10-10 shown in FIG. 3.

The broken lines in the drawings depict portions of the outer housing for earphone charging case that form no part of the claimed design.

1 Claim, 10 Drawing Sheets

(56)

References Cited

U.S. PATENT DOCUMENTS

D907,048 S *	1/2021	Wang	D14/440
D907,049 S *	1/2021	Yu	D14/440
D911,705 S *	3/2021	Lee	D3/269
D911,711 S *	3/2021	Feng	D3/294
D922,070 S *	6/2021	Armstrong	D3/294
D922,946 S *	6/2021	Chen	D13/108
D924,560 S *	7/2021	Hyun	D3/218

* cited by examiner

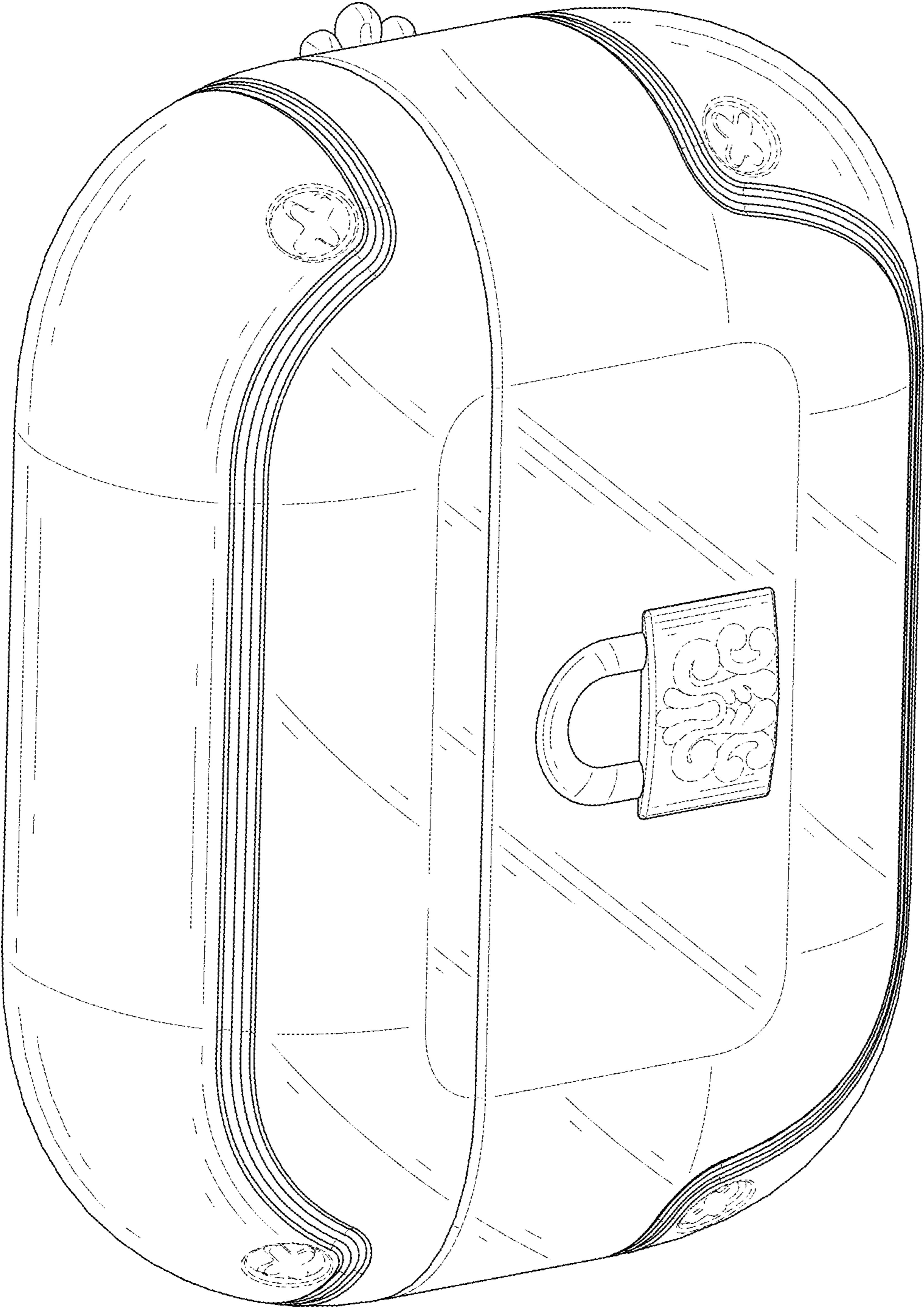


FIG. 1

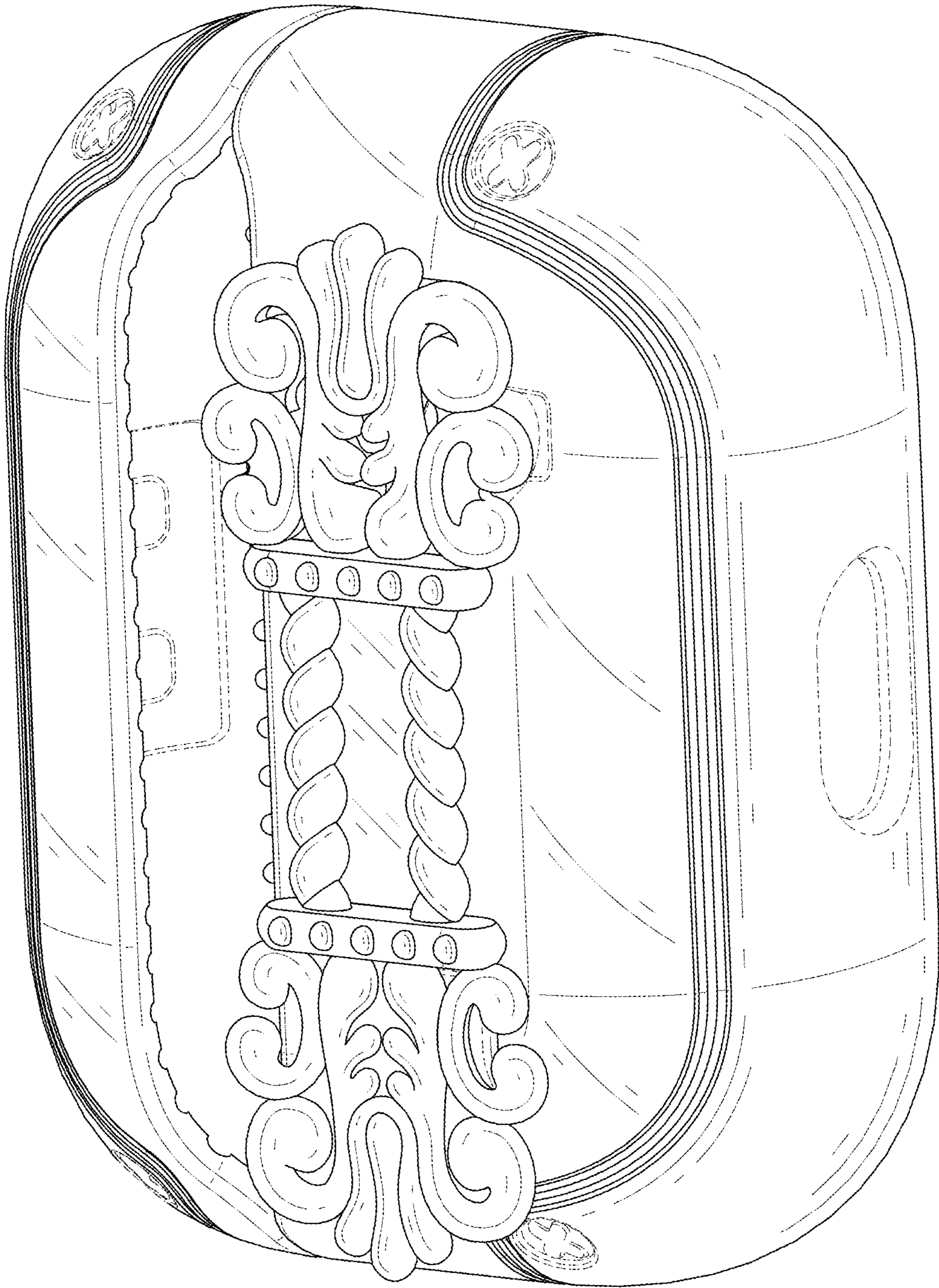


FIG. 2

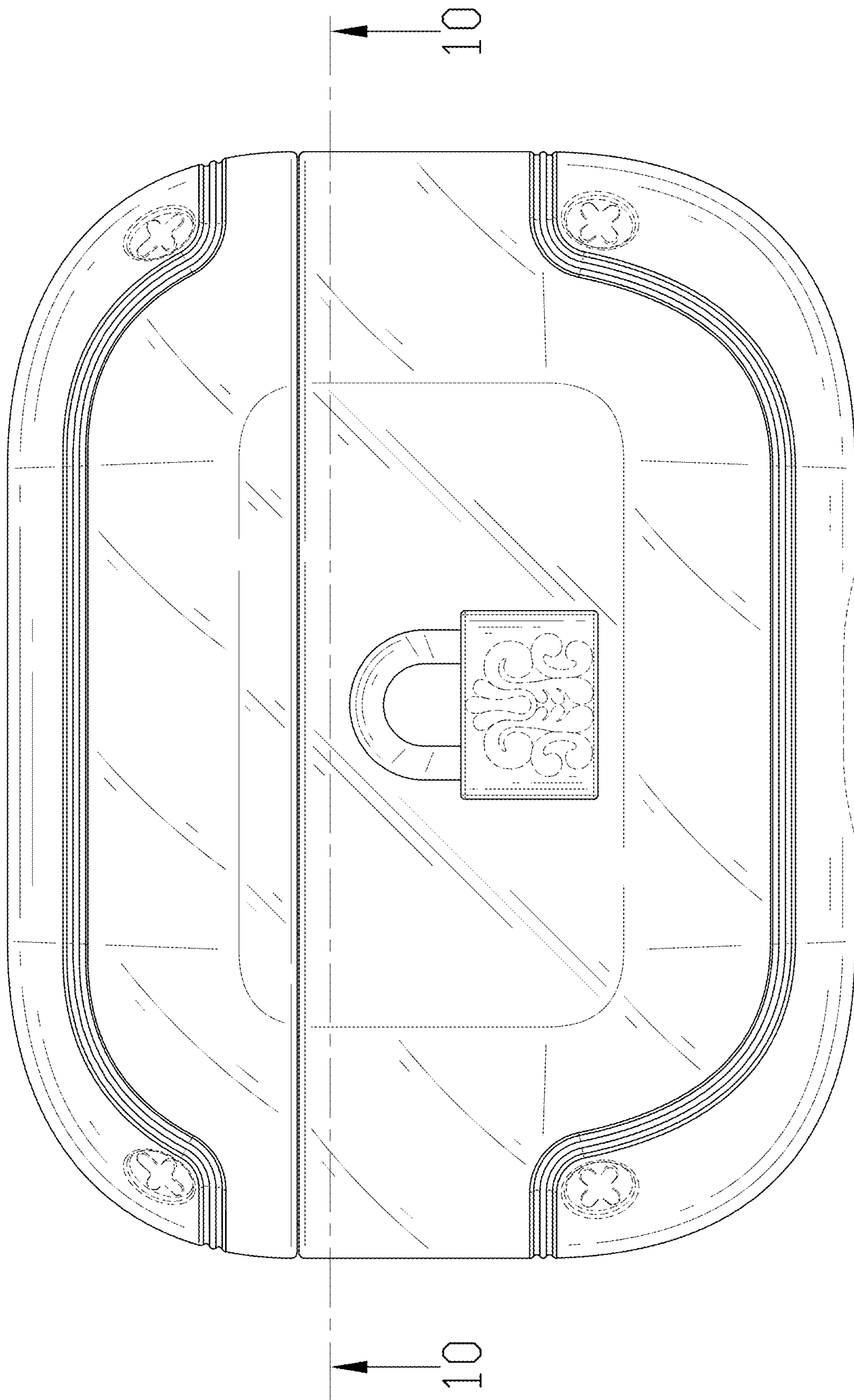


FIG. 3

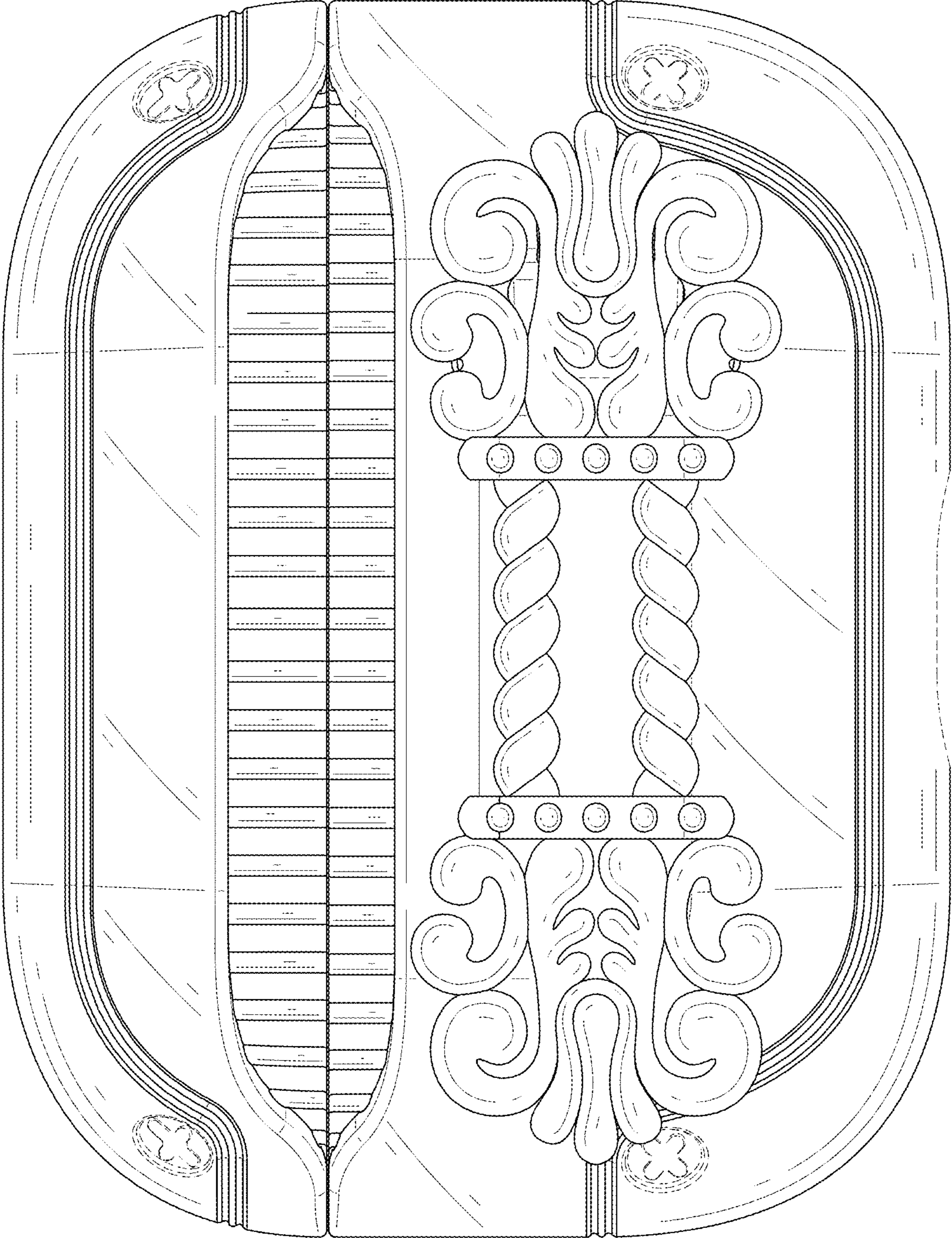


FIG. 4

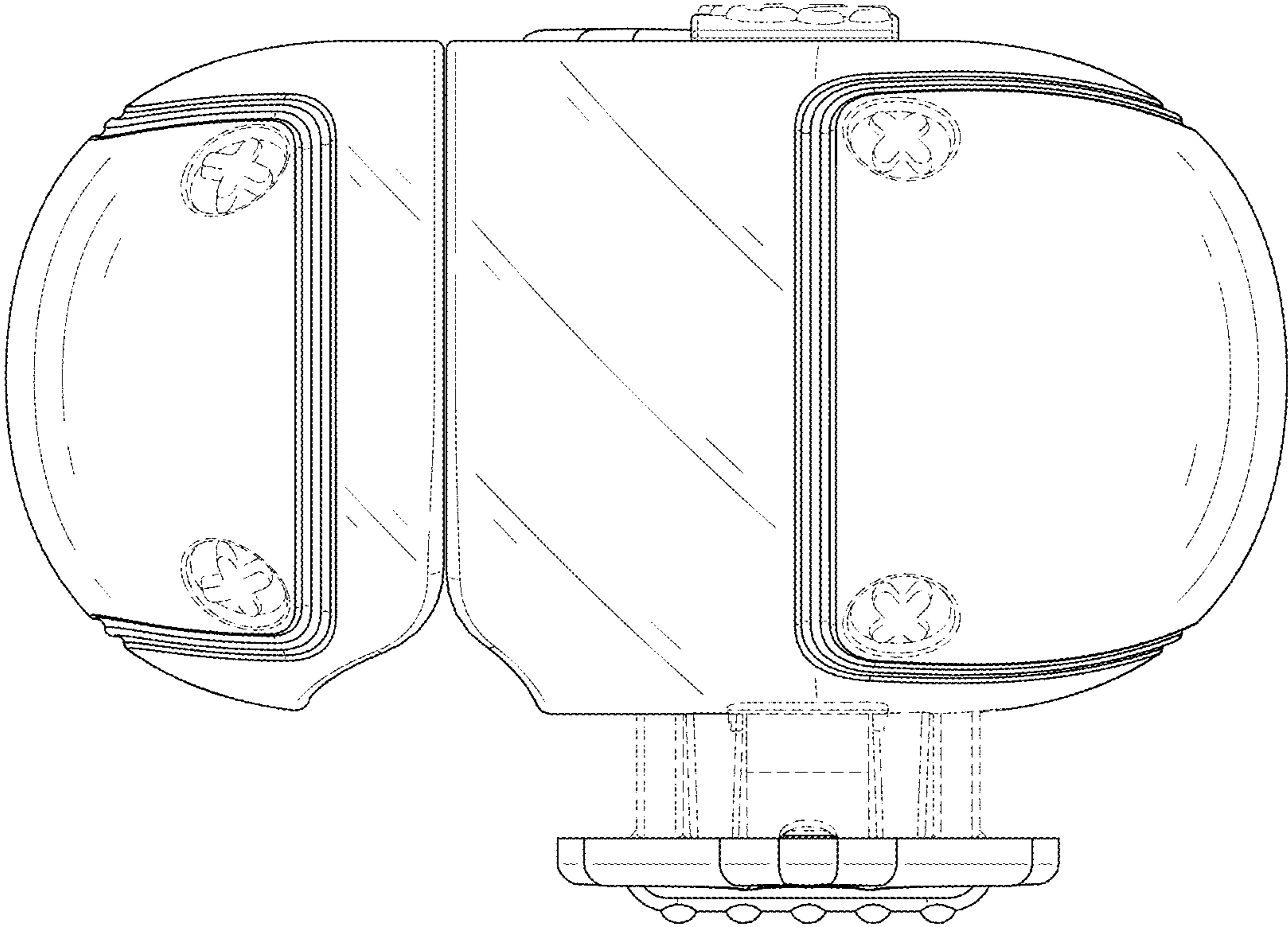


FIG. 5

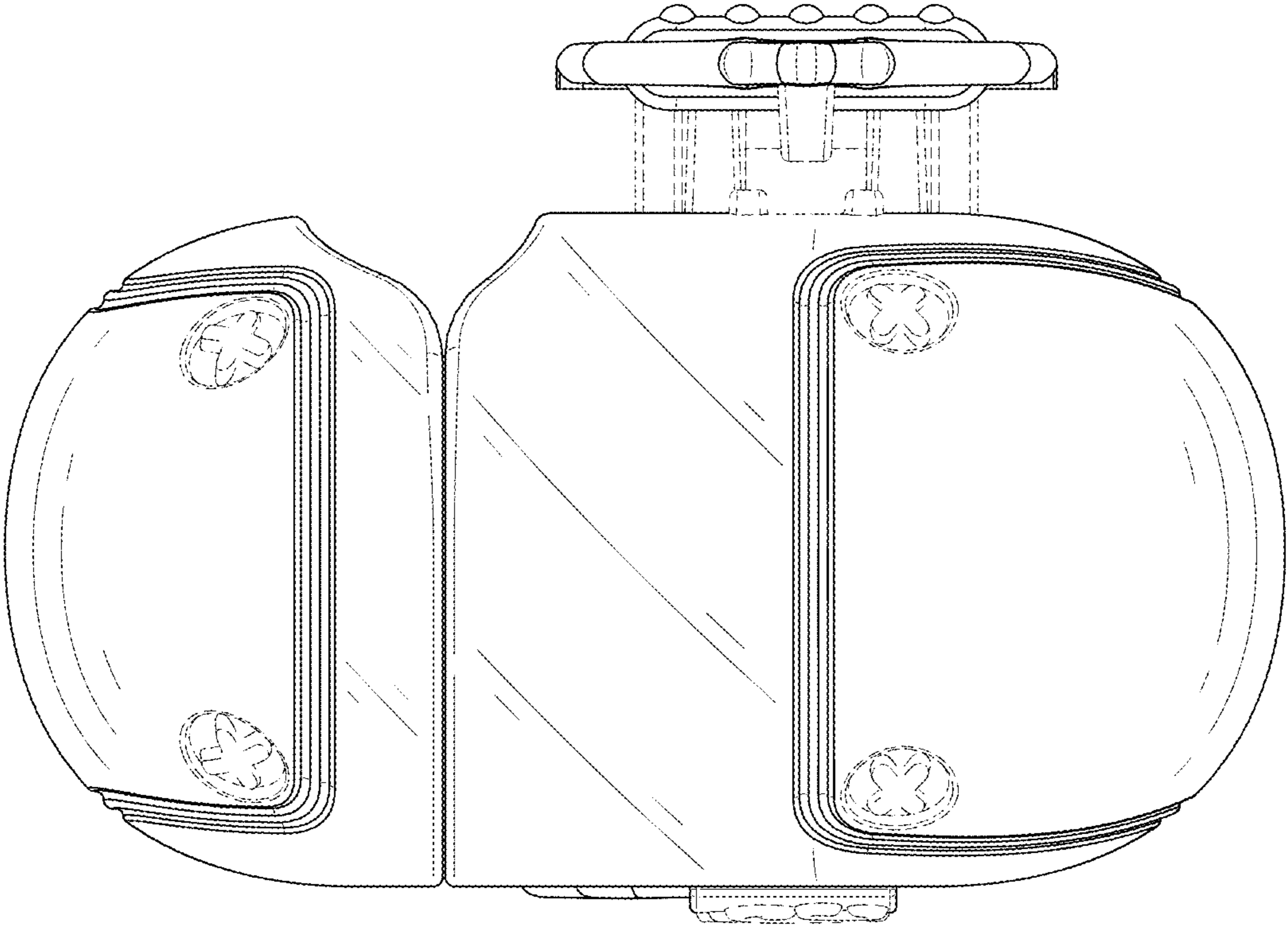


FIG. 6

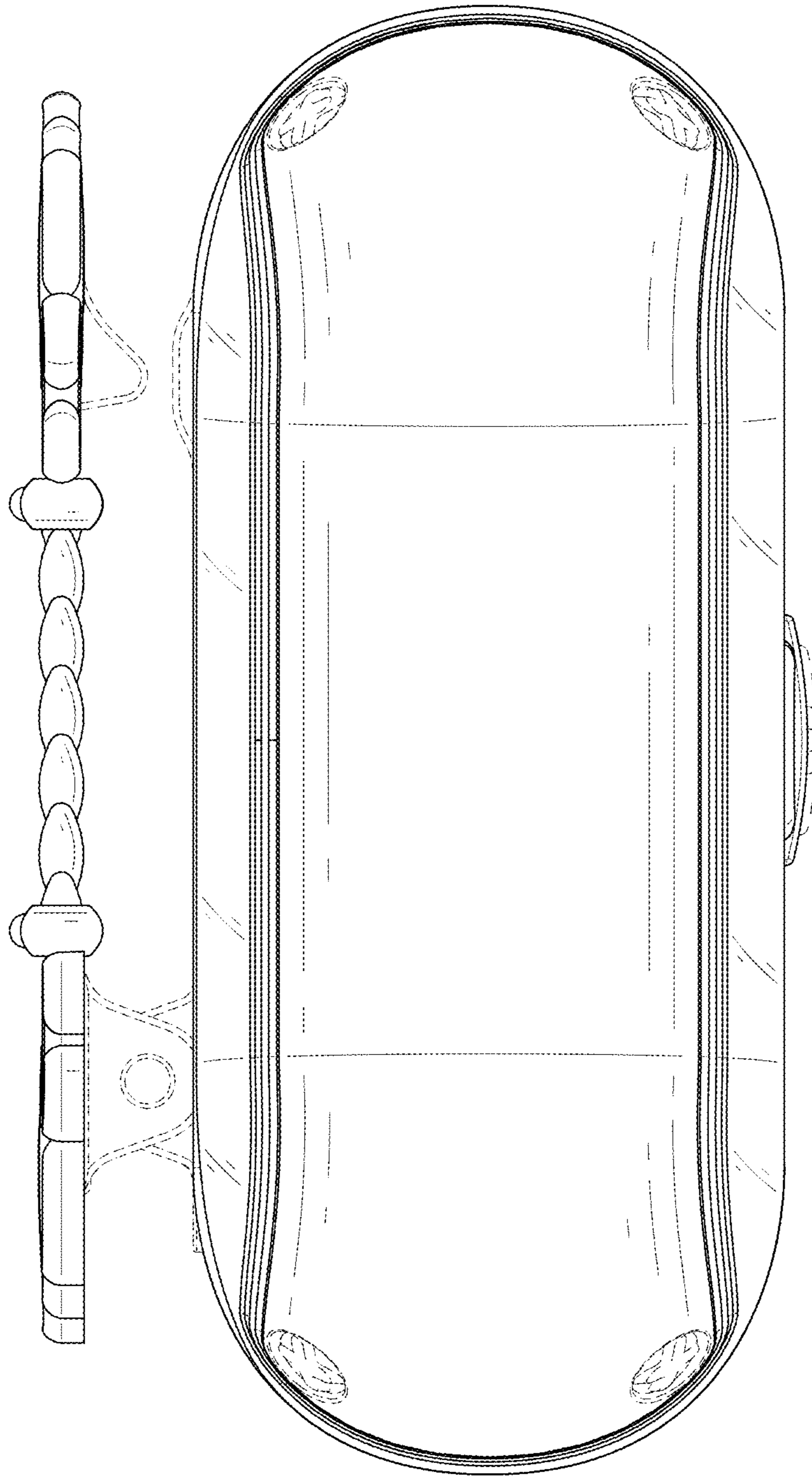


FIG. 7

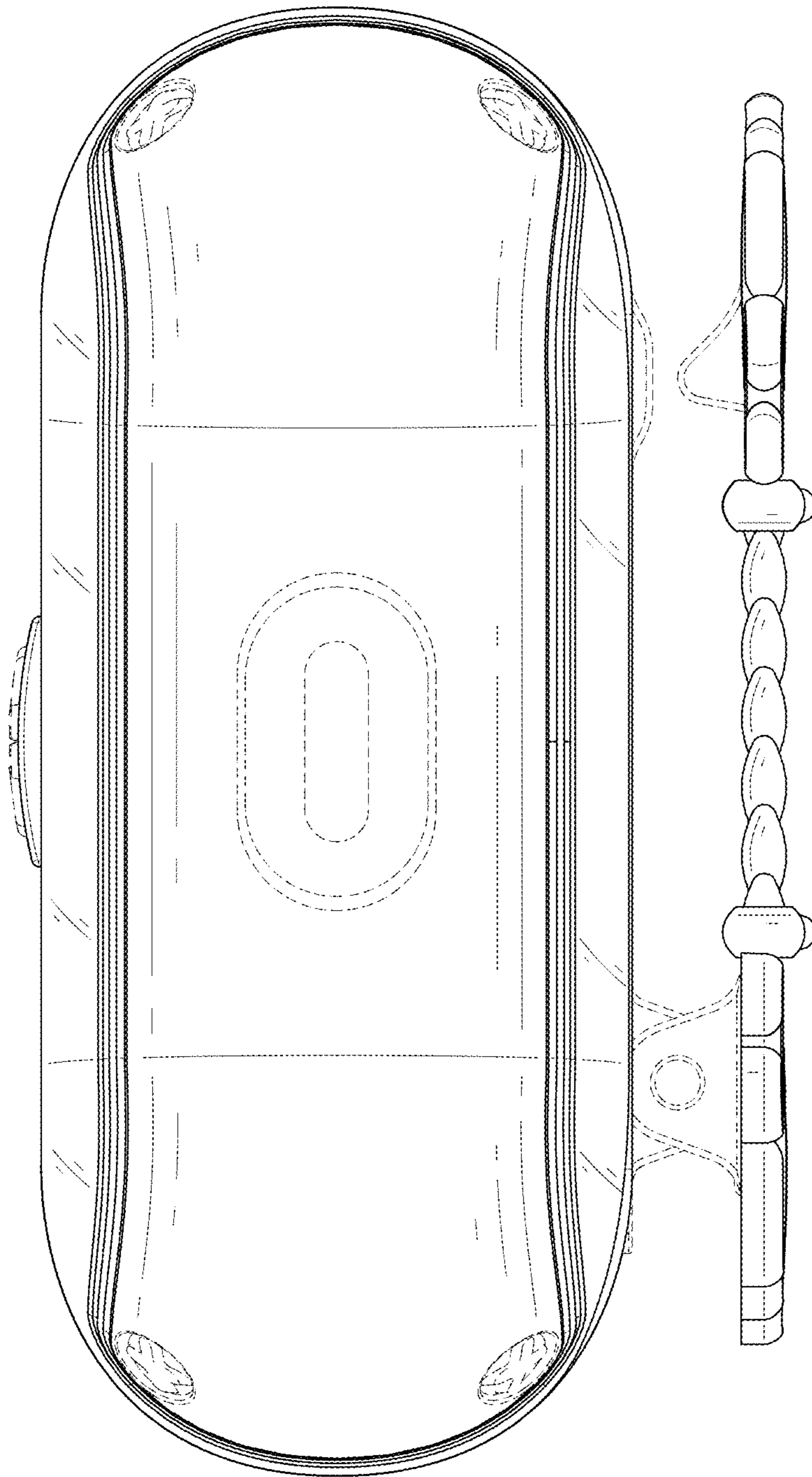


FIG. 8

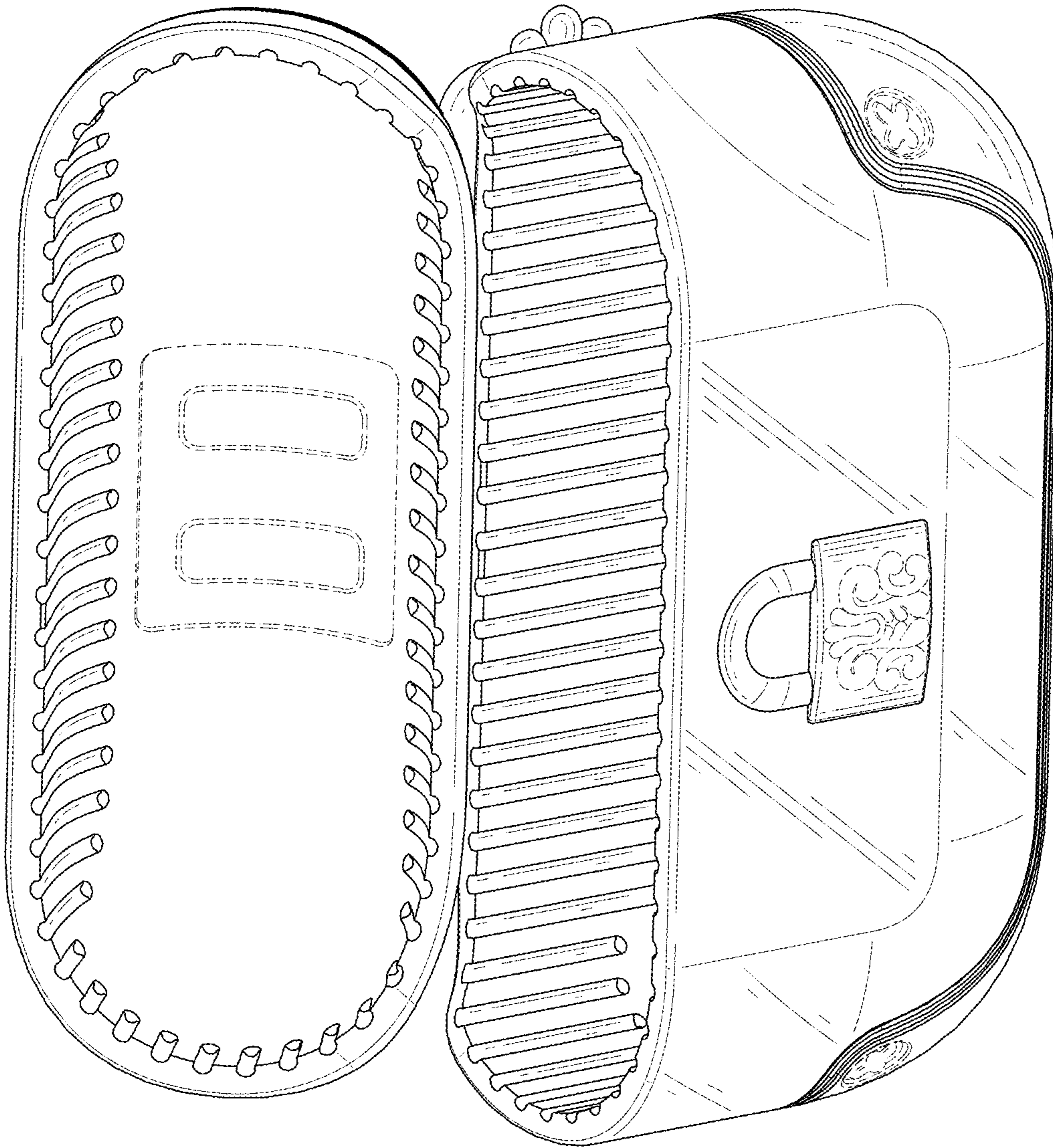


FIG. 9

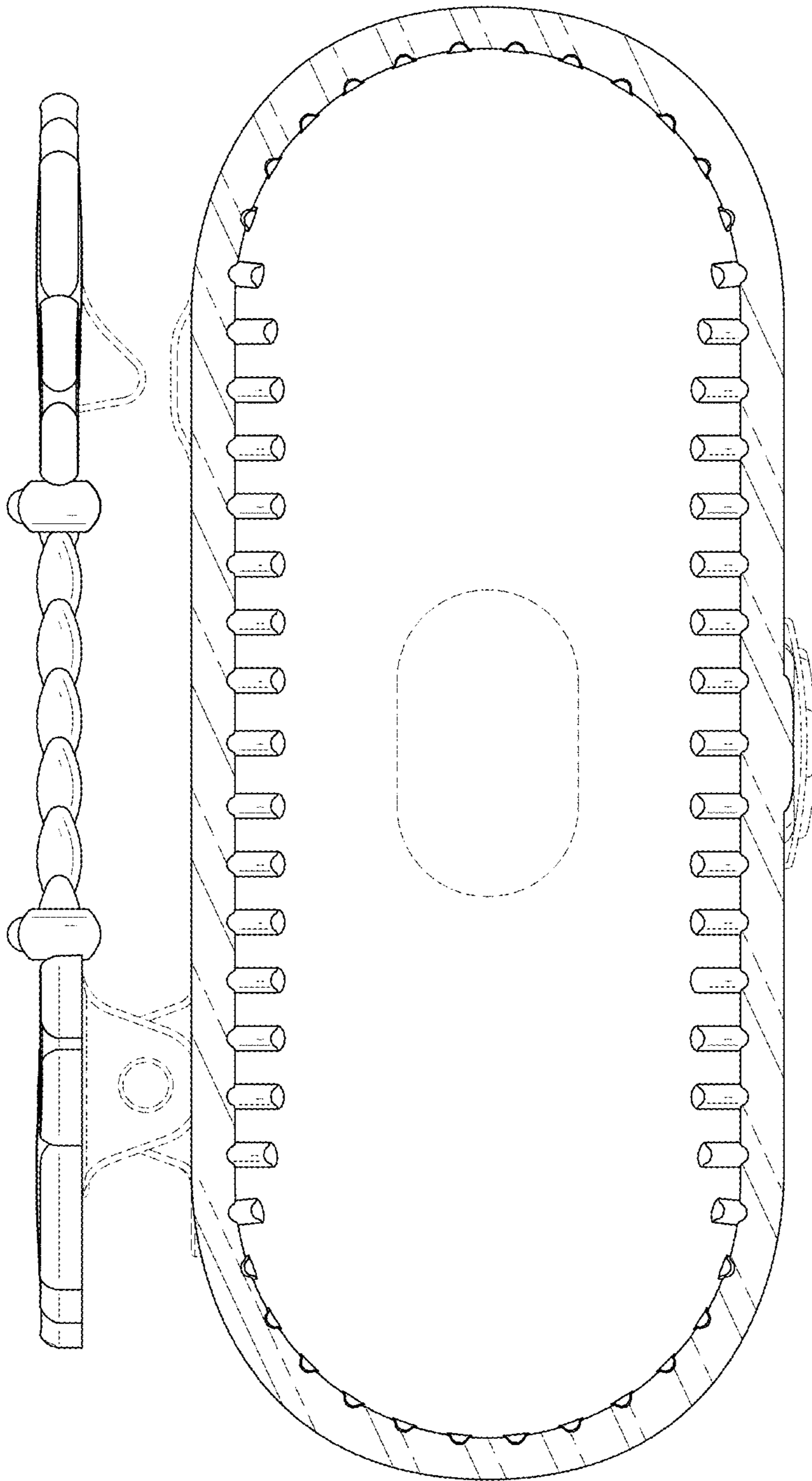


FIG. 10