



US00D928461S

(12) **United States Design Patent**  
**Martin et al.**

(10) **Patent No.:** **US D928,461 S**

(45) **Date of Patent:** **\*\* Aug. 24, 2021**

(54) **HAT**

(71) Applicants: **Paul V. Martin**, Ft. Lauderdale, FL  
(US); **Yon O. Chang**, Ft. Lauderdale,  
FL (US)

(72) Inventors: **Paul V. Martin**, Ft. Lauderdale, FL  
(US); **Yon O. Chang**, Ft. Lauderdale,  
FL (US)

(\*\*) Term: **15 Years**

(21) Appl. No.: **29/765,556**

(22) Filed: **Jan. 8, 2021**

(51) **LOC (13) Cl.** ..... **02-03**

(52) **U.S. Cl.**  
USPC ..... **D2/885**

(58) **Field of Classification Search**  
USPC ..... D2/865, 866, 867, 868, 869, 870, 875,  
D2/878, 880, 885, 889, 891, 892  
CPC .. A41D 23/00; A42B 1/00; A42B 1/02; A42B  
1/04; A42B 1/041; A42B 1/12; A42B  
1/112  
See application file for complete search history.

(56) **References Cited**

**U.S. PATENT DOCUMENTS**

- 1,831,767 A \* 11/1931 Klein ..... A42B 1/22  
2/195.3
- 2,329,539 A \* 9/1943 Kingson ..... A42B 1/012  
2/195.7
- 2,469,250 A \* 5/1949 Von Schrenk ..... A42B 1/041  
2/172
- D165,039 S \* 10/1951 Young ..... D2/883
- 2,889,558 A \* 6/1959 Feldman ..... A42B 1/22  
2/183
- 3,089,147 A \* 5/1963 Zimmermann ..... A42B 1/22  
2/195.1
- D213,668 S \* 4/1969 Porter ..... D2/885

- D360,746 S \* 8/1995 Bowser ..... D2/865
- D398,741 S \* 9/1998 Ella ..... D2/887
- D518,944 S \* 4/2006 Brennen ..... D2/882
- D587,879 S \* 3/2009 Cho ..... D2/882

(Continued)

*Primary Examiner* — Jasmine Mlinarcik

(74) *Attorney, Agent, or Firm* — QuickPatents, LLC;  
Kevin Prince

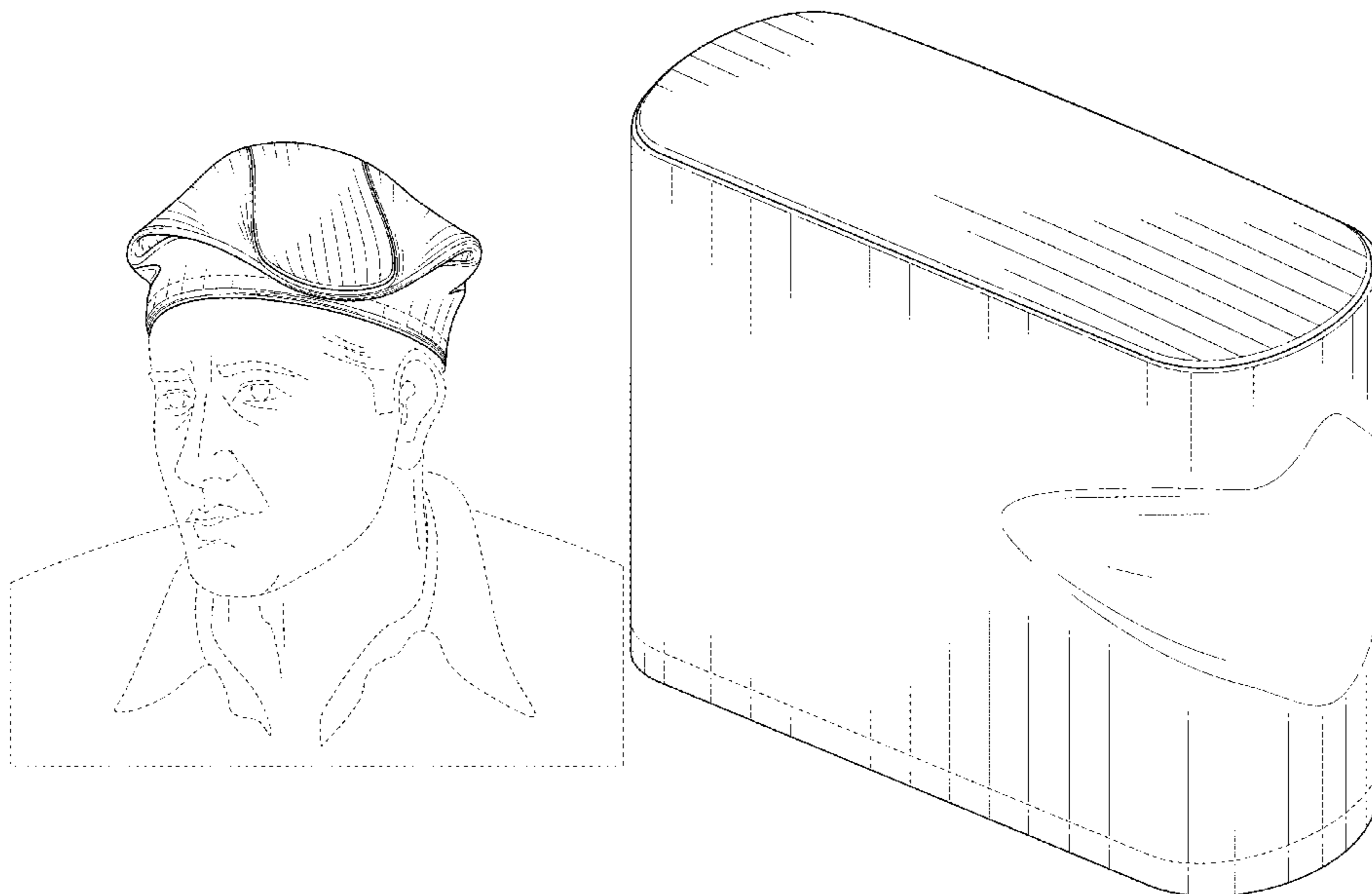
(57) **CLAIM**

The ornamental design for a hat, as shown and described.

**DESCRIPTION**

FIG. 1 is a perspective view of a hat, showing our new design, illustrated in a folded-down position;  
 FIG. 2 is an enlarged front elevational view of FIG. 1;  
 FIG. 3 is a rear elevational view of FIG. 2;  
 FIG. 4 is a left-side elevational view of FIG. 2, the right-side elevational view being a mirror image thereof;  
 FIG. 5 is a top plan view of FIG. 2;  
 FIG. 6 is a bottom plan view of FIG. 2;  
 FIG. 7 is a bottom perspective view of FIG. 2;  
 FIG. 8 is a front top perspective view thereof, illustrated in a fully expanded position;  
 FIG. 9 is a rear perspective view of FIG. 8;  
 FIG. 10 is a front elevational view of FIG. 8;  
 FIG. 11 is a rear elevational view of FIG. 8; and,  
 FIG. 12 is a left-side elevational view of FIG. 8, the right-side elevational view being a mirror image thereof.  
 The broken line outline of the partial human figure in FIG. 1 assists in illustrating how the claimed design may appear in a position of use and forms no part of the claimed design. The dot-dash-dot broken lines in FIGS. 6 and 7 define the bounds of the claimed design and do not form part of the claimed design. The broken lines within the dot-dash-dot broken line areas in FIGS. 6 and 7 do not form part of the claimed design. The remaining broken lines along the claimed surfaces of the hat depict claimed stitching.

**1 Claim, 10 Drawing Sheets**



(56)

**References Cited**

U.S. PATENT DOCUMENTS

D775,458 S \* 1/2017 Guillaume ..... D2/889  
D815,807 S \* 4/2018 Genender ..... D2/867

\* cited by examiner



FIG. 1

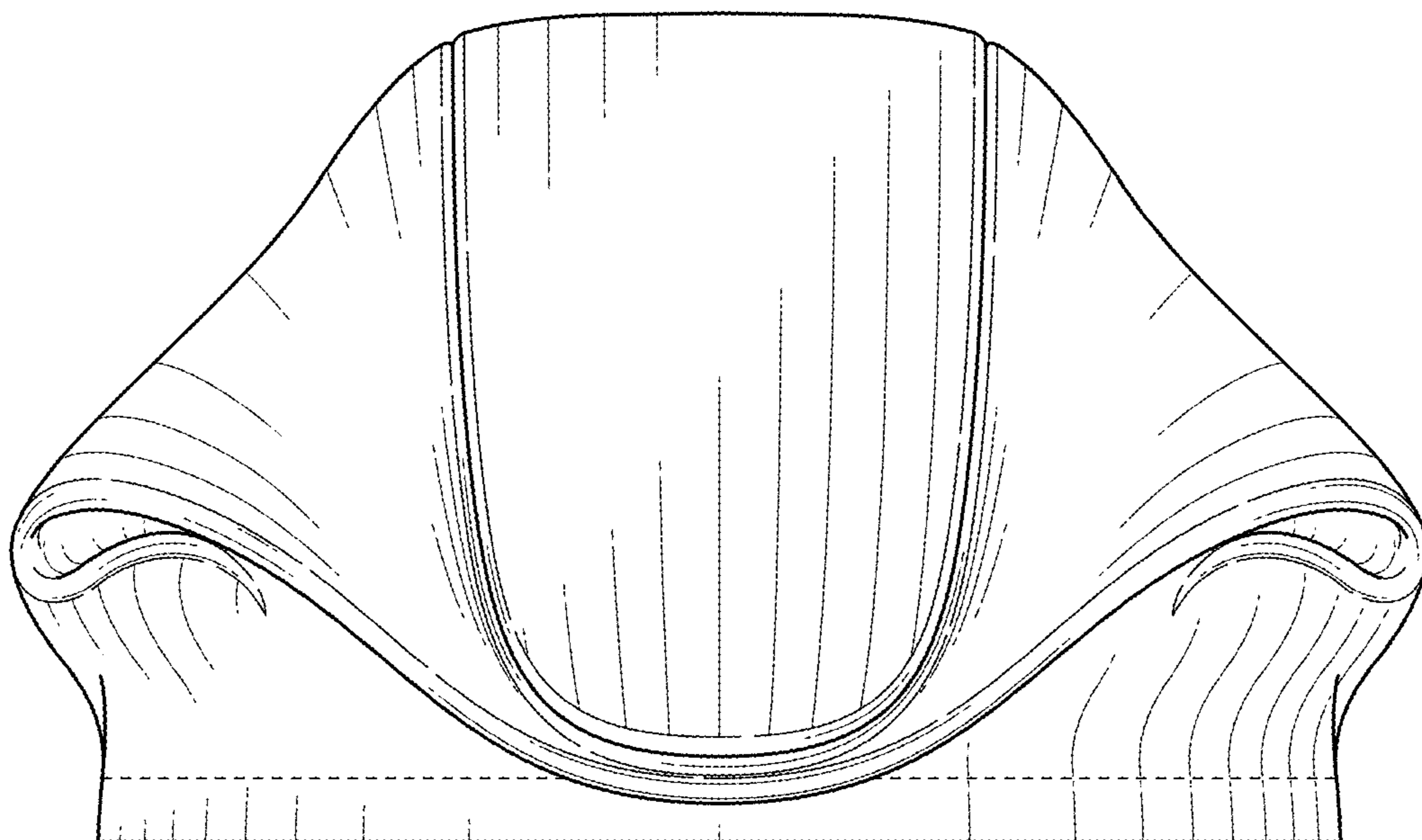


FIG. 2

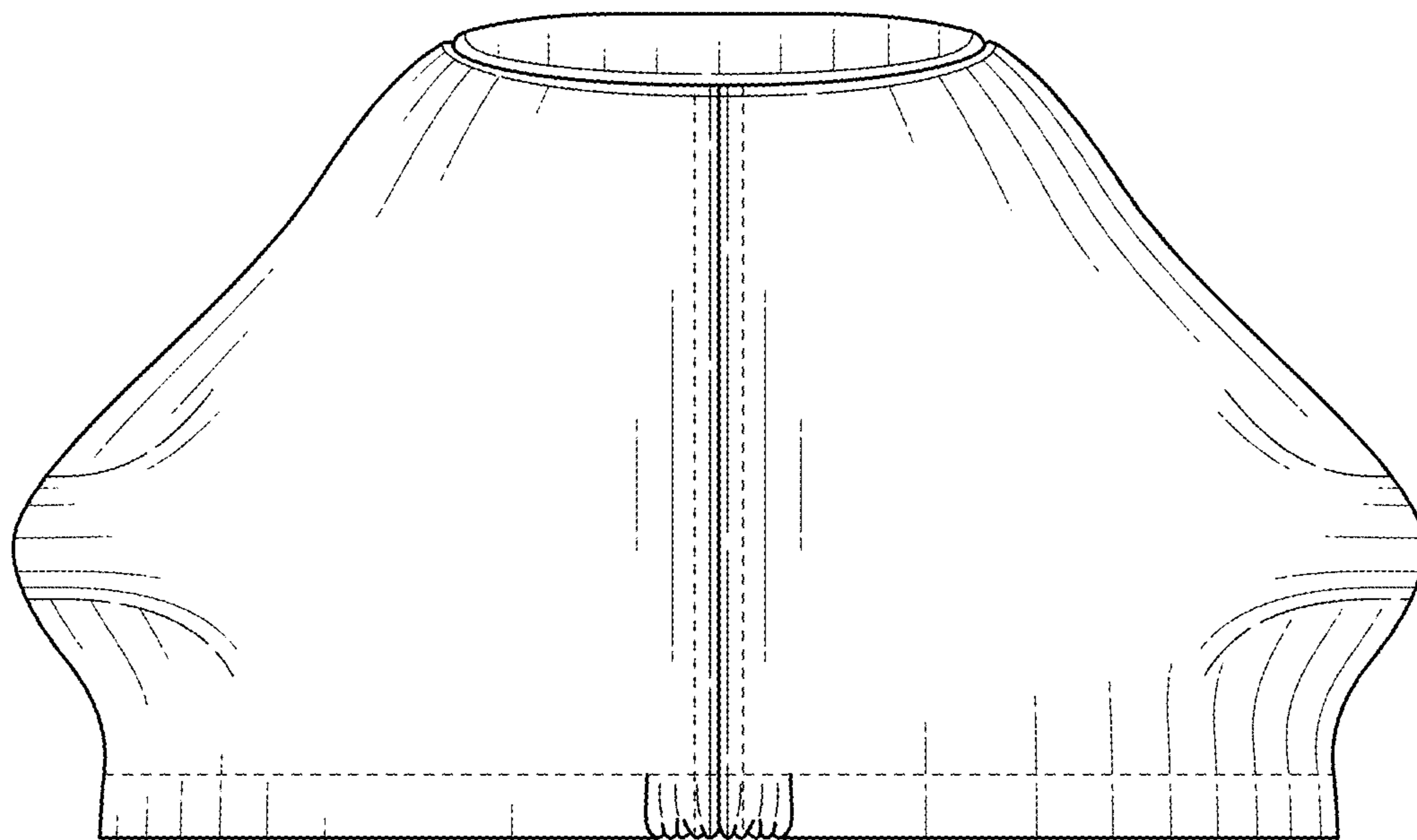


FIG. 3

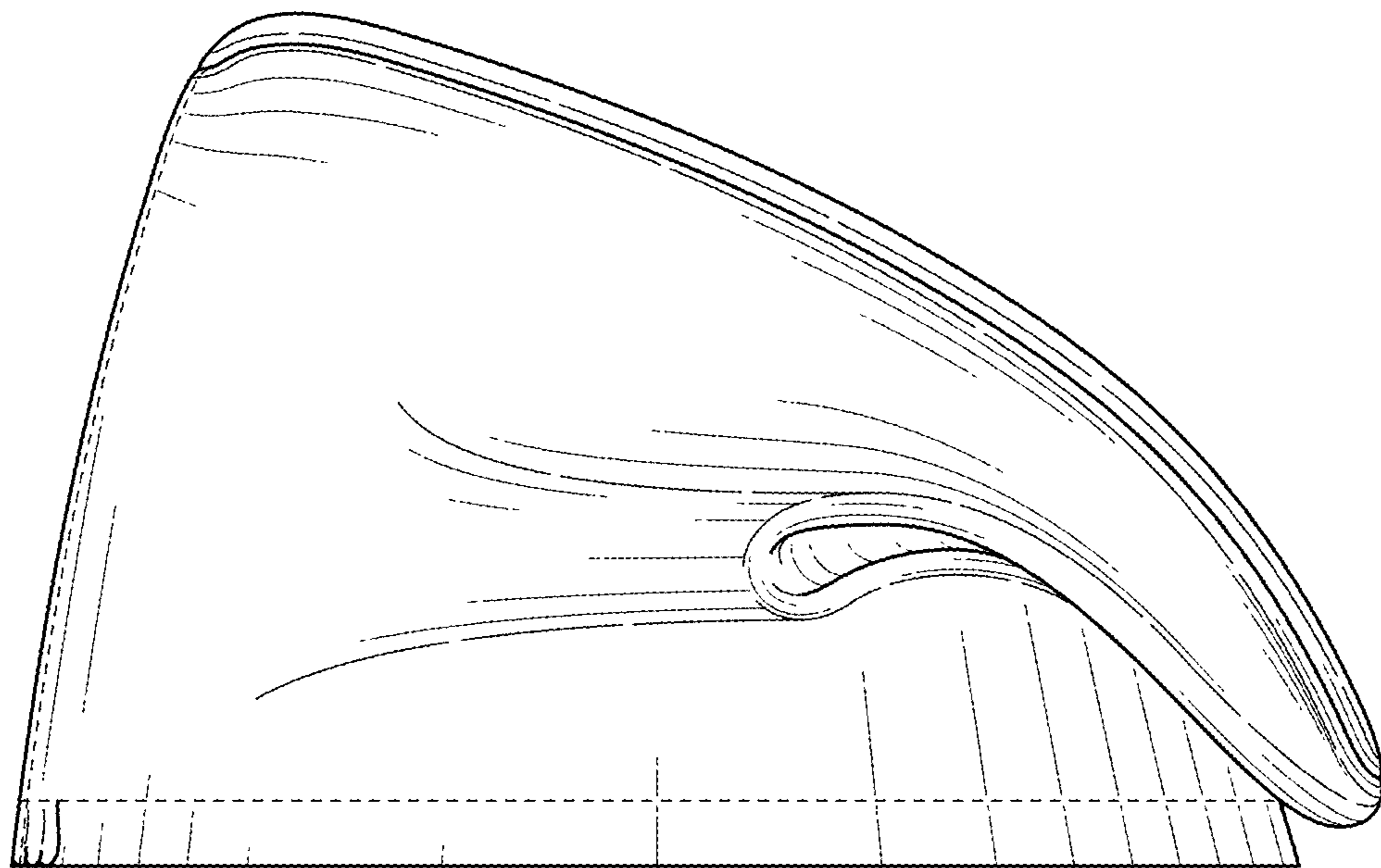


FIG. 4



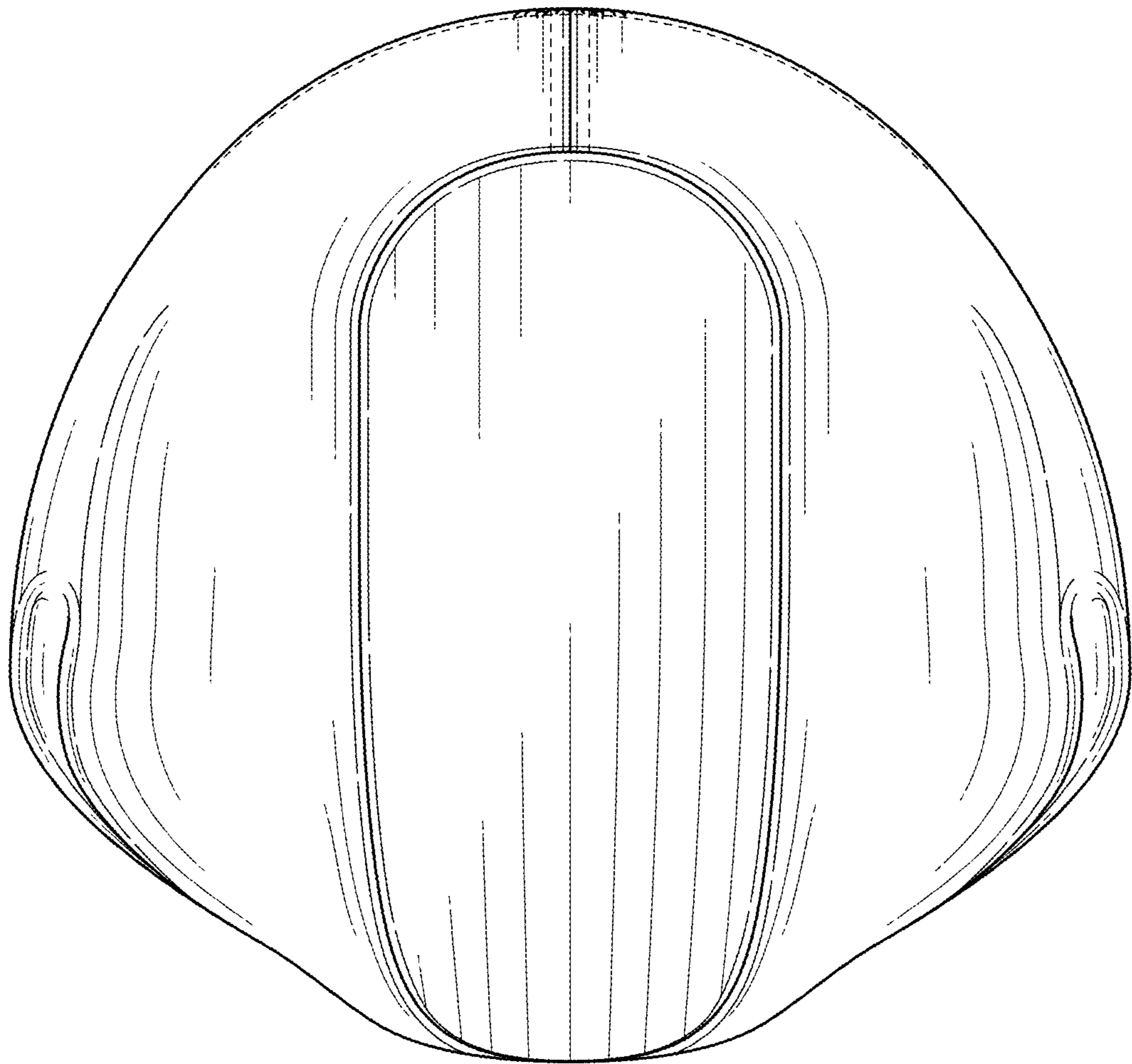


FIG. 5

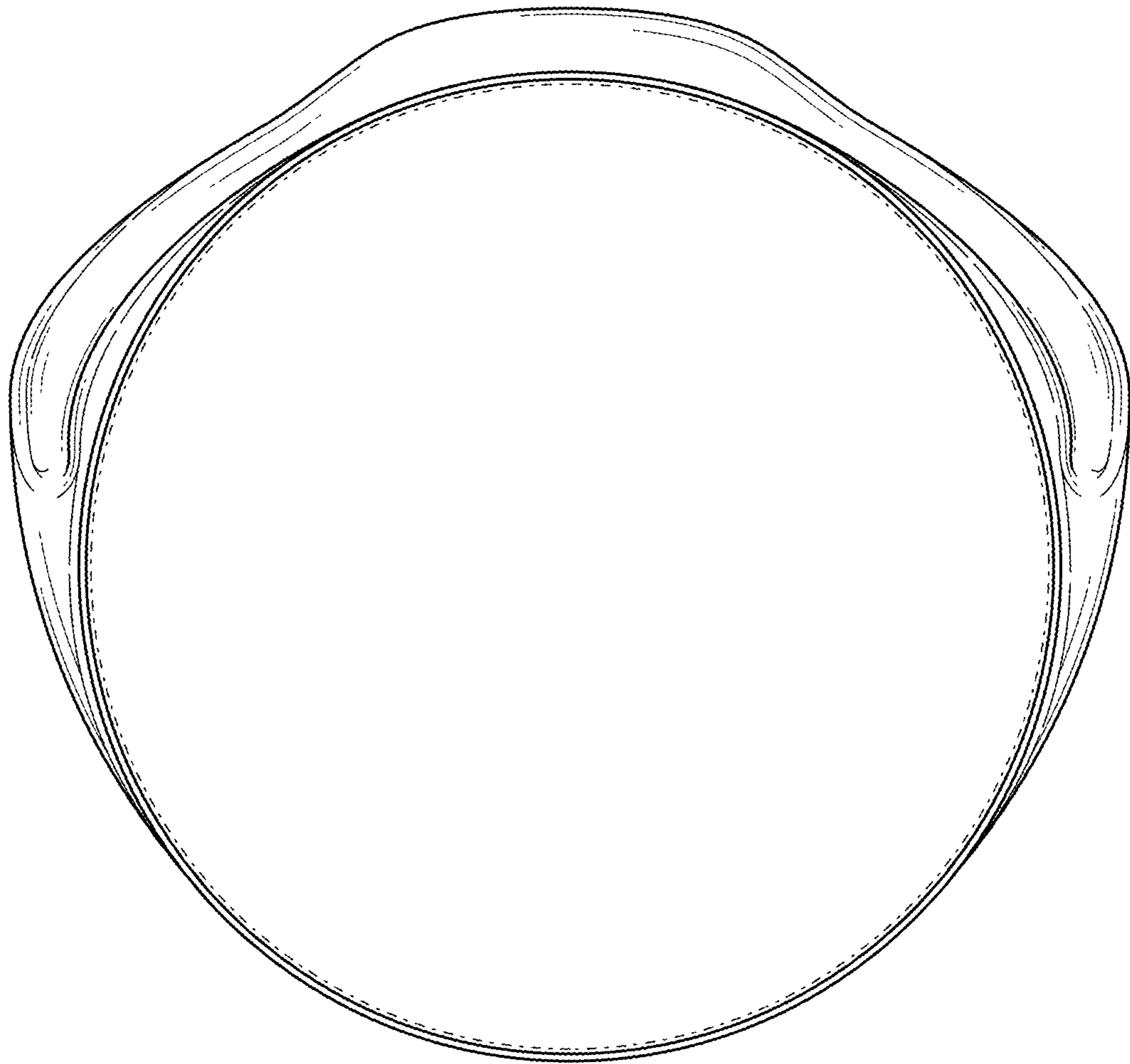


FIG. 6

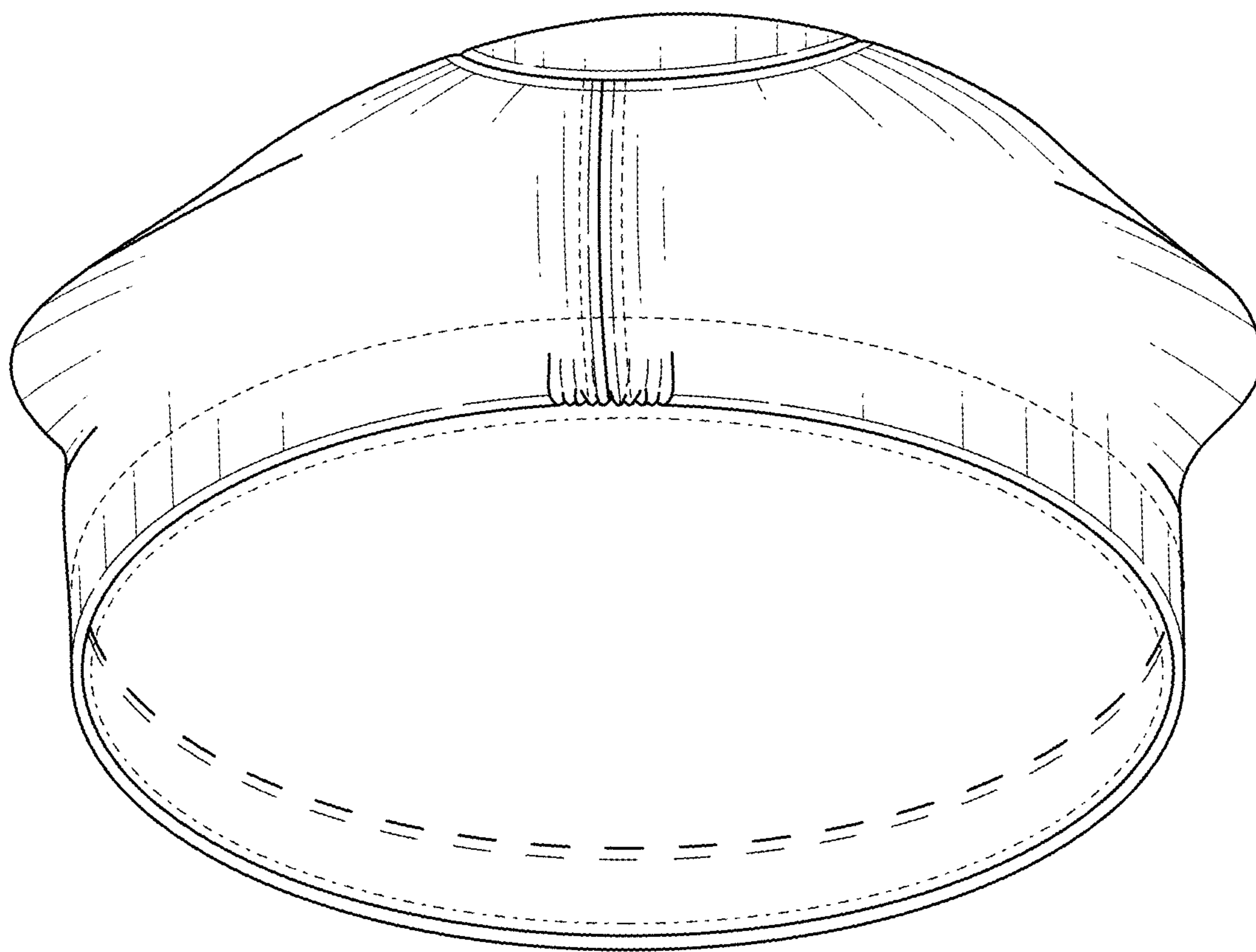


FIG. 7



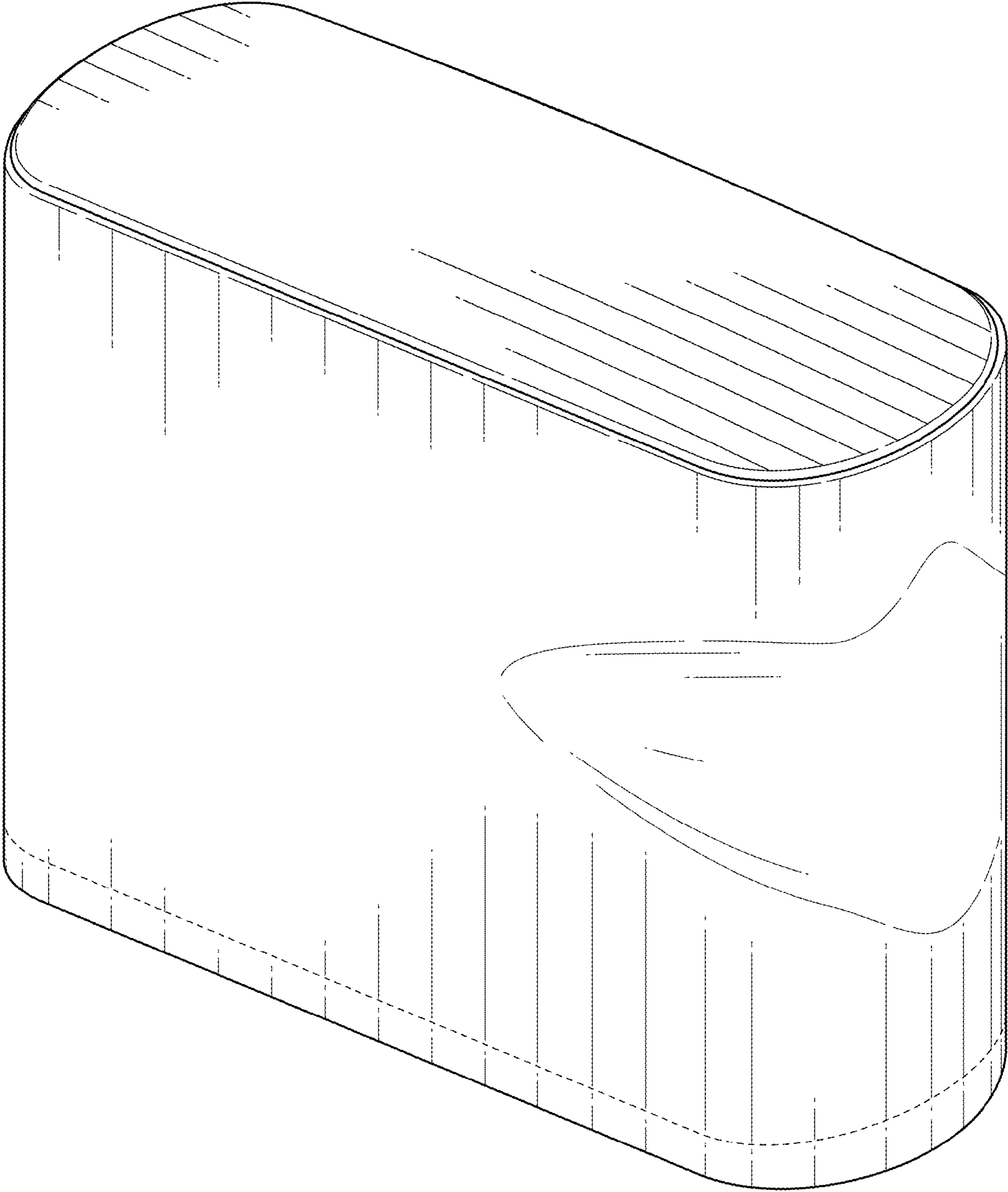


FIG. 8

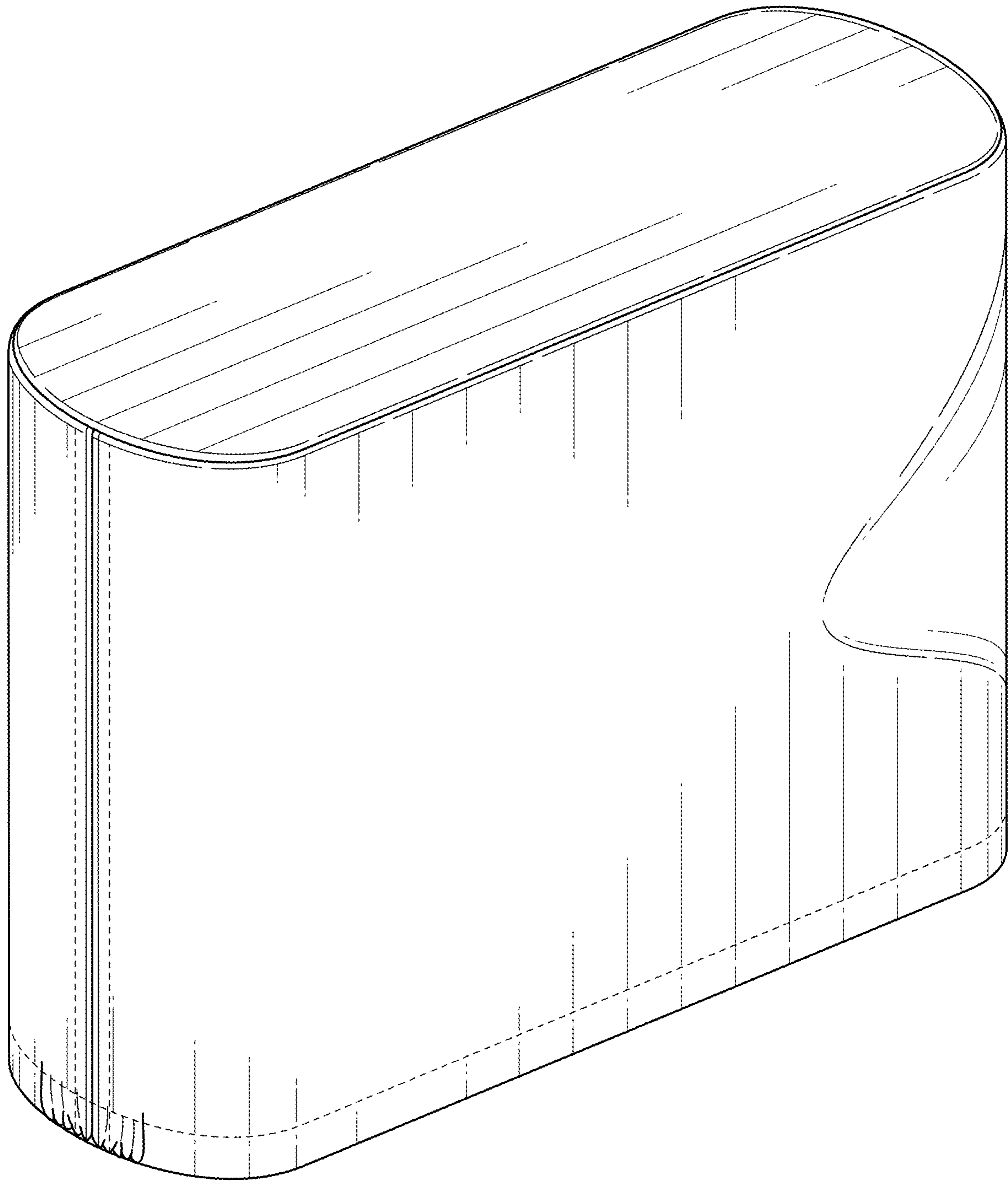


FIG. 9

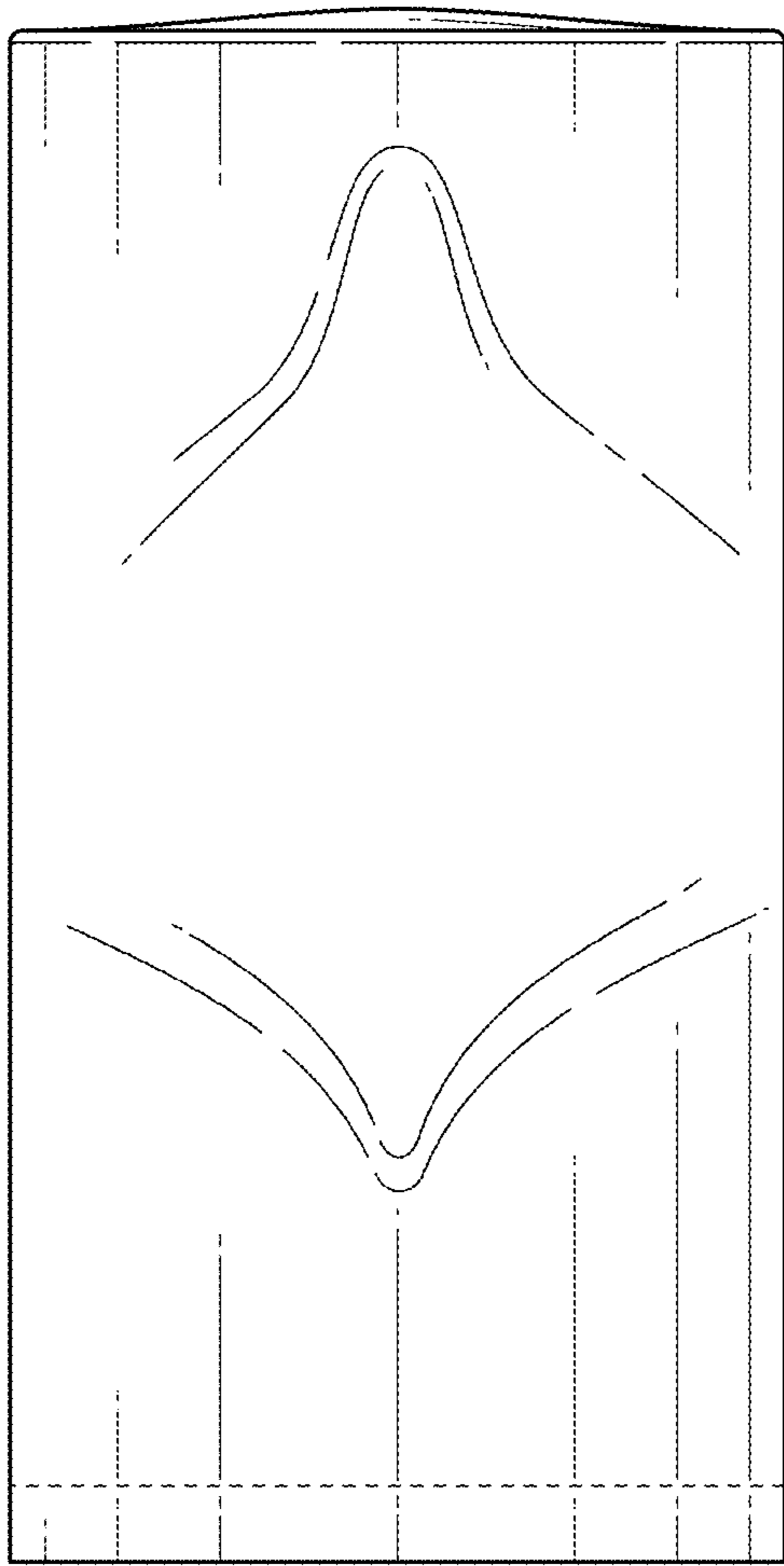


FIG. 10

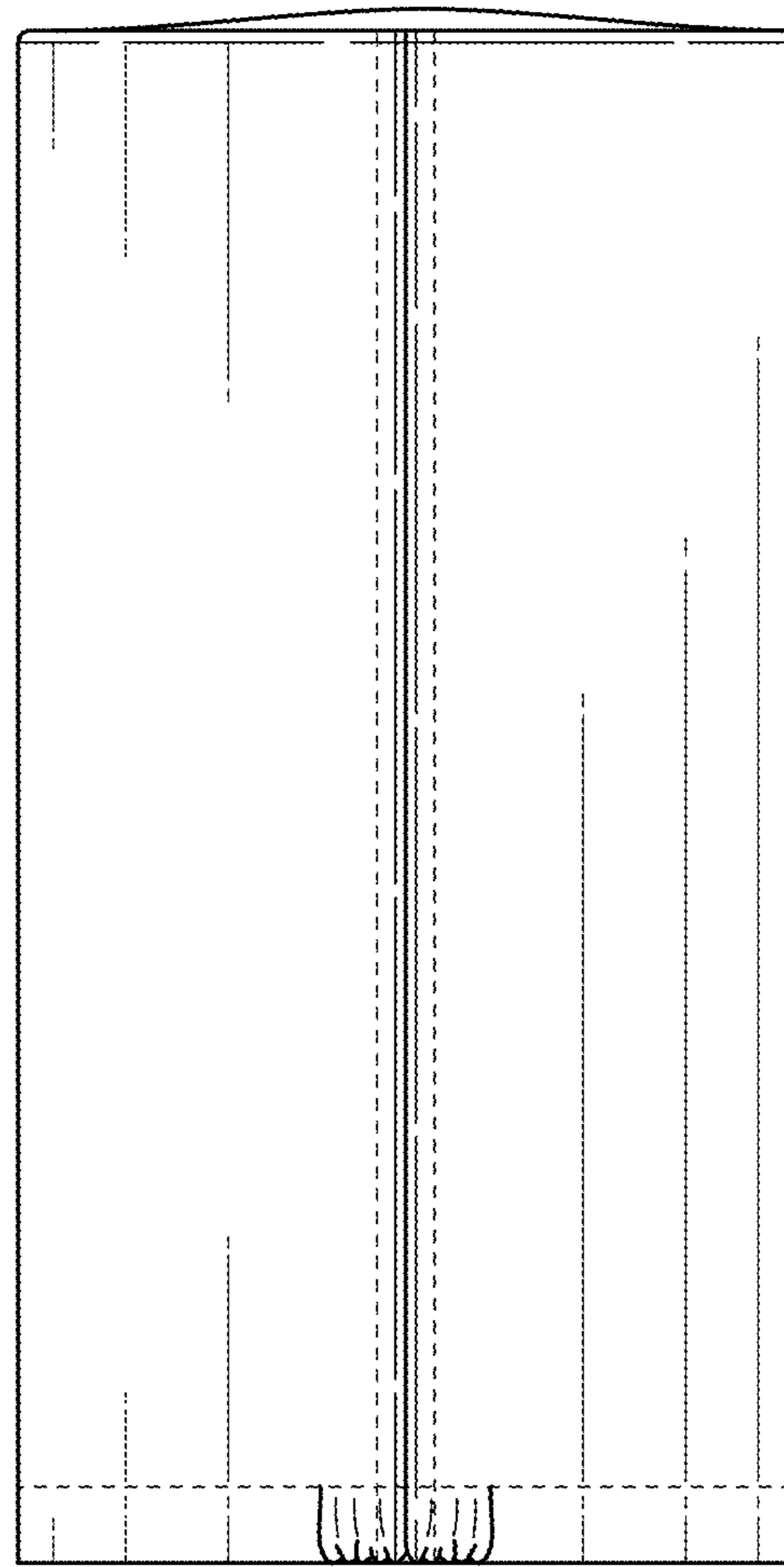


FIG. 11

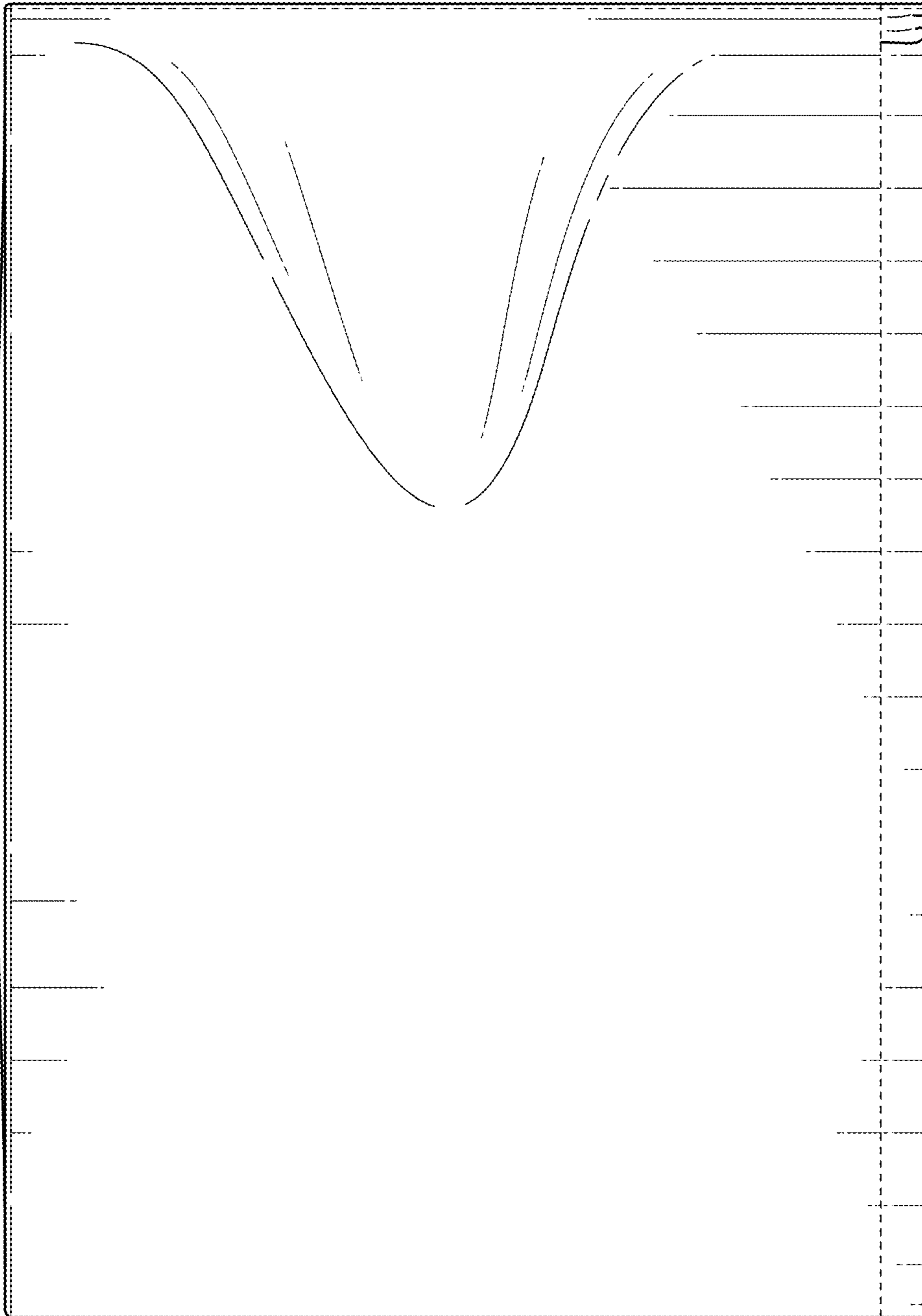


FIG. 12

UNITED STATES PATENT AND TRADEMARK OFFICE  
**CERTIFICATE OF CORRECTION**

PATENT NO. : D928,461 S  
APPLICATION NO. : 29/765556  
DATED : August 24, 2021  
INVENTOR(S) : Martin et al.

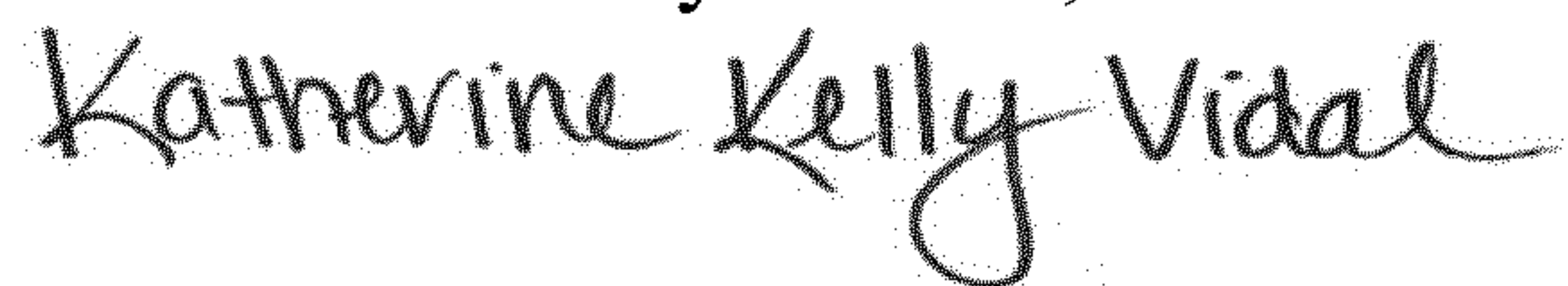
Page 1 of 1

It is certified that error appears in the above-identified patent and that said Letters Patent is hereby corrected as shown below:

On the Title Page

Column 2, item (57) under 'Description', Line 19, delete "positon" and insert -- position --, therefor.

Signed and Sealed this  
Seventh Day of June, 2022



Katherine Kelly Vidal  
*Director of the United States Patent and Trademark Office*