



US00D928445S

(12) **United States Design Patent** (10) **Patent No.:** **US D928,445 S**
Wilkerson et al. (45) **Date of Patent:** **** Aug. 17, 2021**

(54) **PALLET RAIL**

(71) Applicant: **Southwest Agri-Plastics, Inc.**, Dallas, TX (US)

(72) Inventors: **Jeffrey L. Wilkerson**, Grapevine, TX (US); **Michael A. McGregor**, Lewisville, TX (US); **Paul D. Phillips**, Frisco, TX (US); **Victor A. Sahm, III**, Dallas, TX (US)

(73) Assignee: **Southwest Agri-Plastics, Inc.**, Dallas, TX (US)

(**) Term: **15 Years**

(21) Appl. No.: **29/730,580**

(22) Filed: **Apr. 6, 2020**

(51) **LOC (13) Cl.** **12-05**

(52) **U.S. Cl.**
USPC **D34/38**

(58) **Field of Classification Search**
USPC D34/28-38; D9/456; D25/119
CPC B65D 2519/00; B65D 2519/00273; B65D 2519/00288; B65D 2519/00363; B65D 2519/00069; E04C 3/00; E04C 3/02; E04C 3/125; E04C 3/127
See application file for complete search history.

(56) **References Cited**

U.S. PATENT DOCUMENTS

5,791,261	A	8/1998	John et al.	
5,794,543	A	8/1998	John et al.	
5,809,905	A	9/1998	John et al.	
D404,179	S *	1/1999	Apps	D34/38
5,860,369	A	1/1999	John et al.	
5,887,529	A	3/1999	John et al.	
6,109,190	A	8/2000	Hale et al.	
D557,475	S	12/2007	Kruger	
D559,659	S	1/2008	Kruger	
D704,915	S *	5/2014	Reyhan	D34/38

D816,287	S	4/2018	Hunt, III	
D816,288	S *	4/2018	Hunt, III	D34/38
D822,308	S	7/2018	Hunt, III	
D822,309	S *	7/2018	Hunt, III	D34/38
D824,133	S *	7/2018	Hawley	D34/38
10,661,944	B2 *	5/2020	Apps	B65D 19/0008
D909,005	S *	1/2021	Herbeck	D34/38
2005/0103236	A1 *	5/2005	Apps	B29C 65/02 108/56.3
2008/0236454	A1 *	10/2008	Naidu	F16B 21/086 108/56.1

(Continued)

Primary Examiner — George A Bugg
Assistant Examiner — Tamara L Hahn

(74) *Attorney, Agent, or Firm* — Foley & Lardner LLP

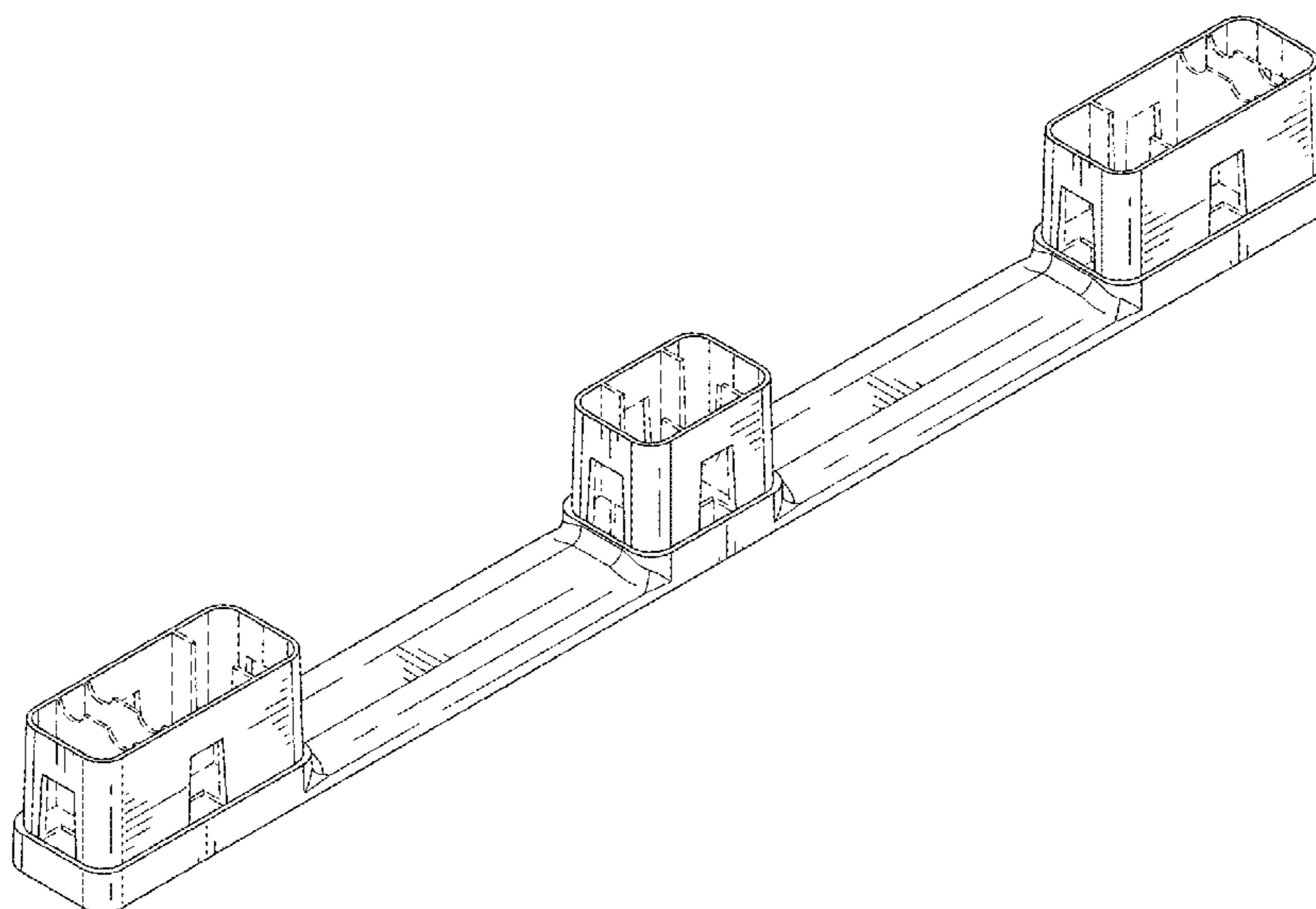
(57) **CLAIM**

The ornamental design for a pallet rail, as shown and described.

DESCRIPTION

FIG. 1 is a front perspective view of a first embodiment of a pallet rail;
FIG. 2 is a front view of the pallet rail, the rear elevation view being a mirror image thereof;
FIG. 3 is a right side view of the pallet rail, the left side view being a mirror image thereof;
FIG. 4 is a top view of the pallet rail;
FIG. 5 is a bottom view of the pallet rail;
FIG. 6 is a front perspective view of a second embodiment of a pallet rail;
FIG. 7 is a front view of the pallet rail, the rear elevation view being a mirror image thereof;
FIG. 8 is a right side view of the pallet rail, the left side view being a mirror image thereof;
FIG. 9 is a top view of the pallet rail; and,
FIG. 10 is a bottom view of the pallet rail.
The broken lines in FIGS. 1 through 10 depict portions of the pallet rail that form no part of the claimed design.

1 Claim, 6 Drawing Sheets



(56)

References Cited

U.S. PATENT DOCUMENTS

2011/0232538 A1* 9/2011 Chou F16B 5/065
108/53.1
2013/0032064 A1* 2/2013 Randall B65D 19/0004
108/50.11
2013/0220184 A1* 8/2013 Apps B65D 19/0014
108/56.1
2014/0345501 A1* 11/2014 Lundius B65D 19/0095
108/55.5

* cited by examiner

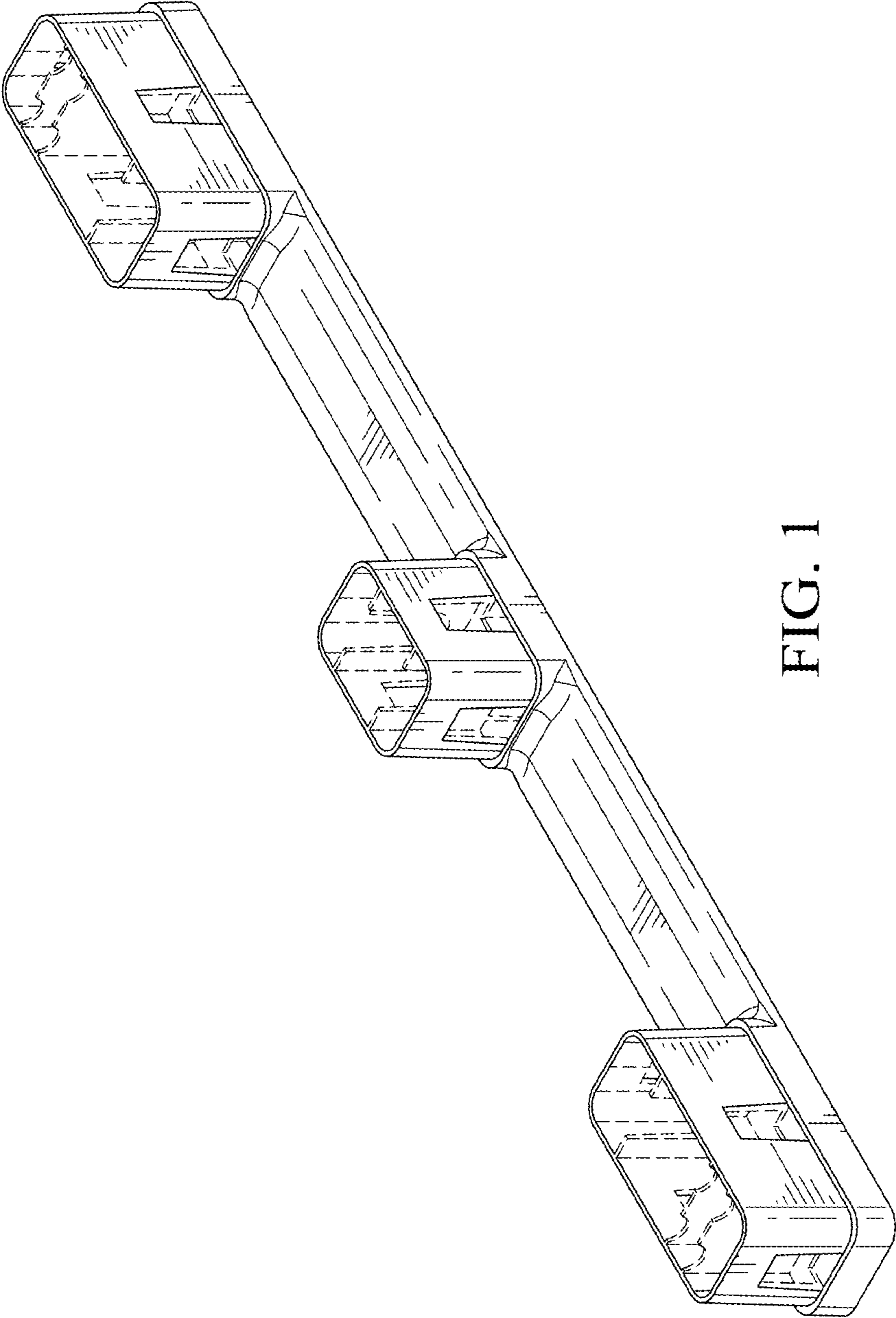


FIG. 1

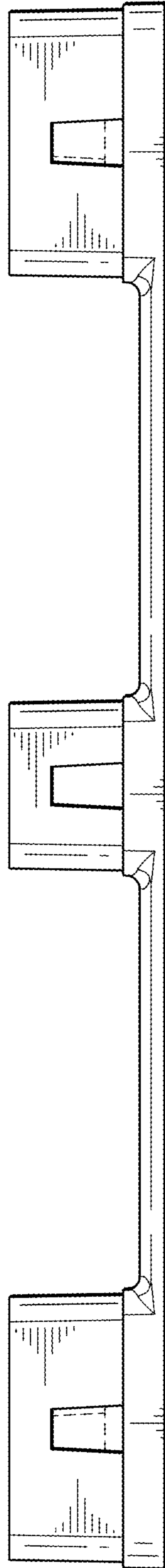


FIG. 2

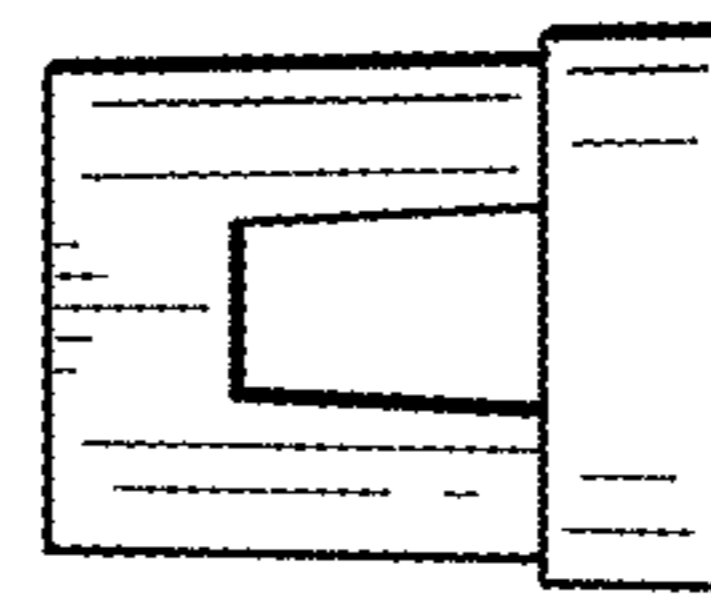


FIG. 3

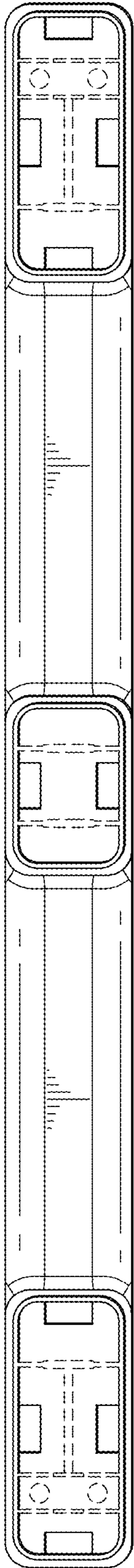


FIG. 4

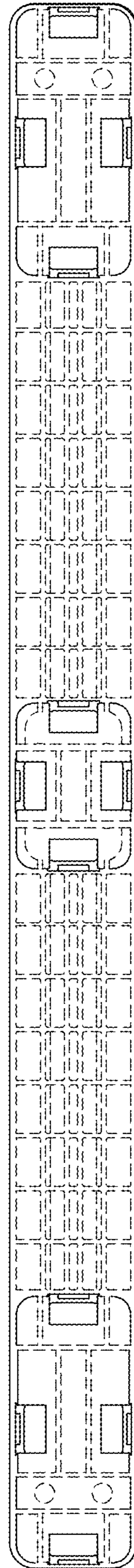


FIG. 5

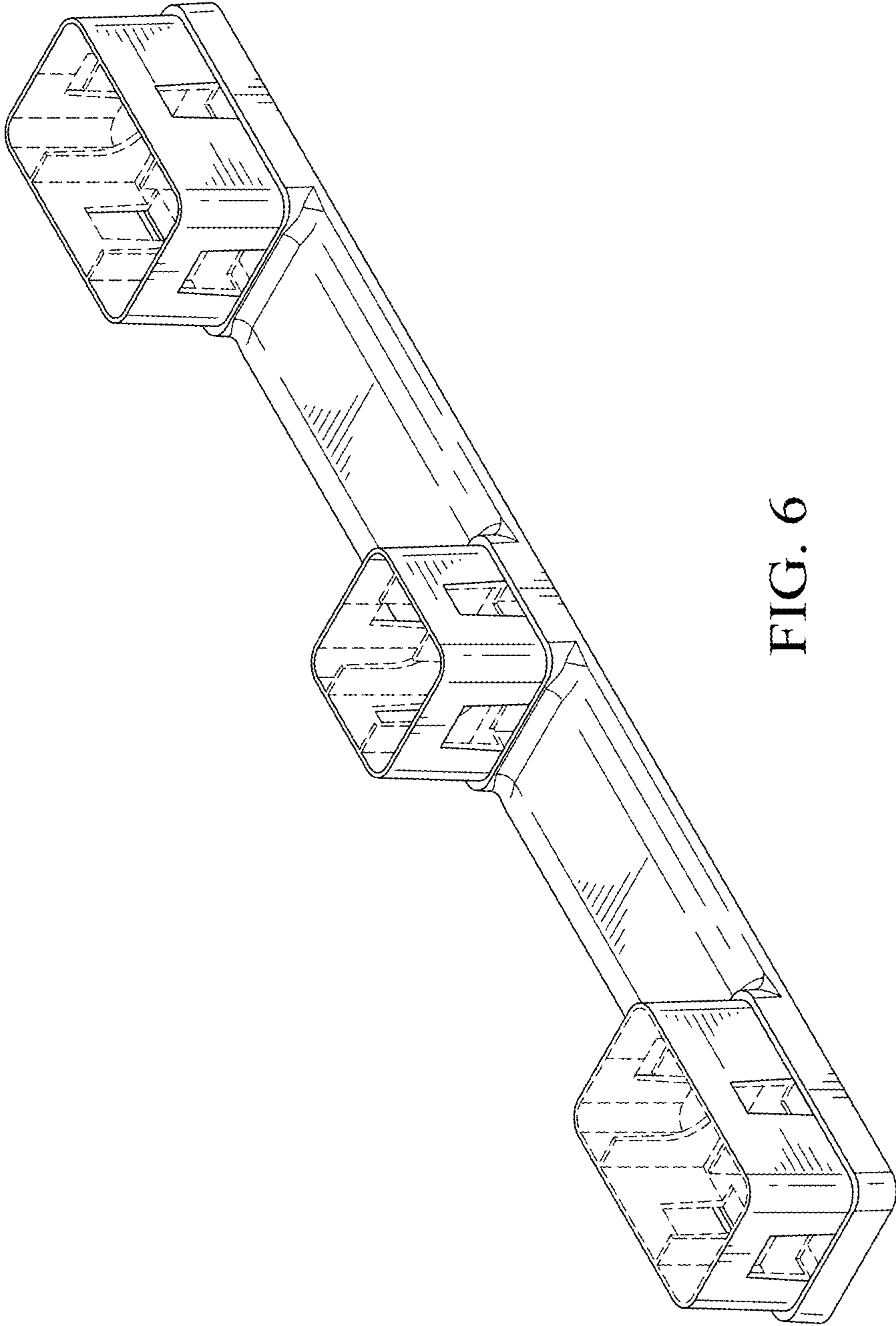


FIG. 6

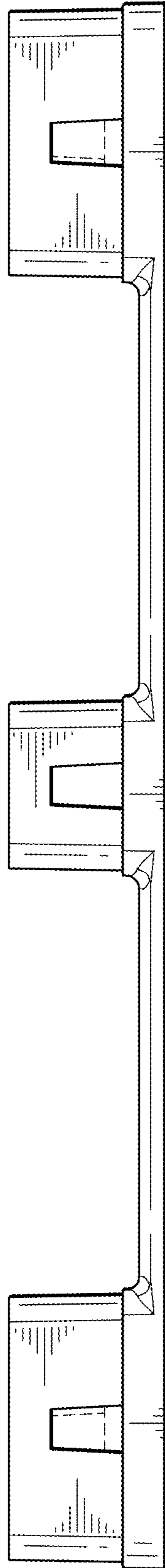


FIG. 7

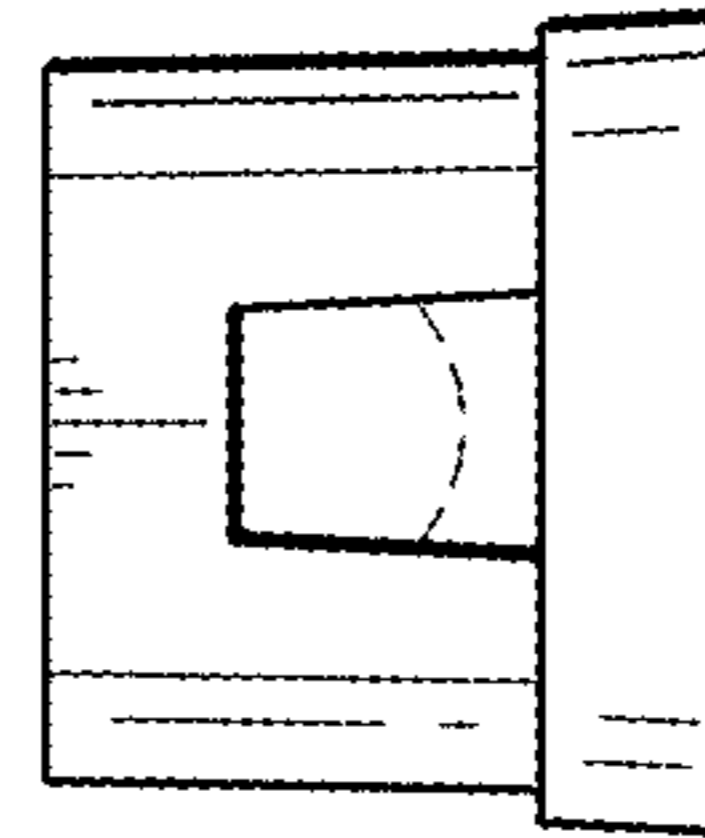


FIG. 8

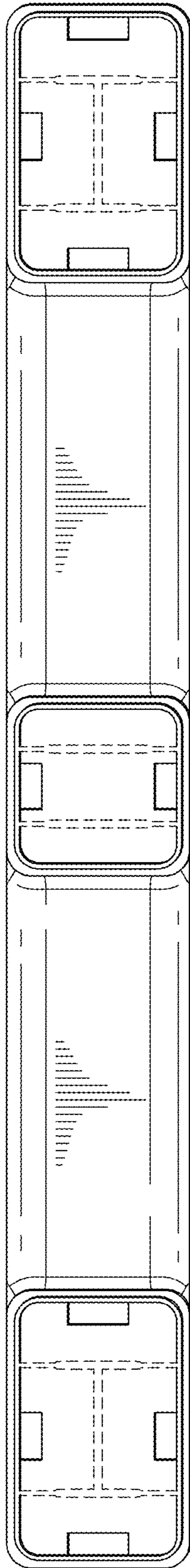


FIG. 9

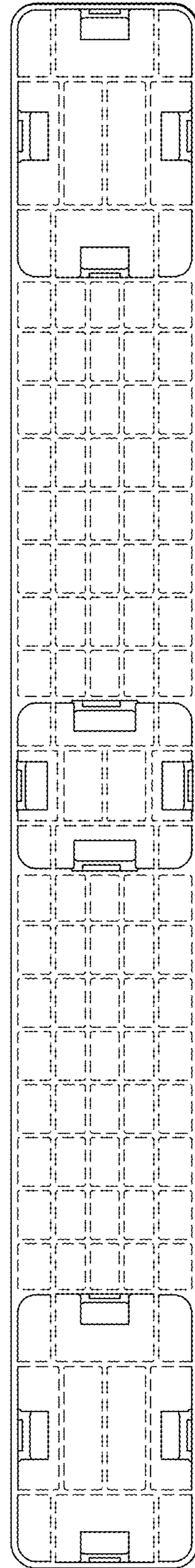


FIG. 10