



US00D928443S

(12) **United States Design Patent**
Olmstead et al.

(10) **Patent No.:** **US D928,443 S**

(45) **Date of Patent:** **** Aug. 17, 2021**

(54) **CONVEYOR FRAME**

(71) Applicant: **Precision, Inc.**, Pella, IA (US)

(72) Inventors: **Rocky Olmstead**, Whittimore, IA (US);
William Robert Casey, III, San Antonio, TX (US)

(73) Assignee: **Precision, Inc.**, Pella, IA (US)

(**) Term: **15 Years**

(21) Appl. No.: **29/652,316**

(22) Filed: **Jul. 17, 2020**

Related U.S. Application Data

(62) Division of application No. 29/666,468, filed on Oct. 12, 2018, now Pat. No. Des. 899,022.

(51) **LOC (13) Cl.** **12-05**

(52) **U.S. Cl.**
USPC **D34/29**

(58) **Field of Classification Search**
USPC D34/29, 35
CPC B65G 15/64; B65G 17/40; B65G 21/00;
B65G 21/06; B65G 2203/042
See application file for complete search history.

(56) **References Cited**

U.S. PATENT DOCUMENTS

5,351,807	A	10/1994	Svejkovsky
5,409,101	A	4/1995	Ahmed et al.
5,794,757	A	8/1998	Svejkovsky et al.
5,979,640	A	11/1999	Horton
6,189,683	B1	2/2001	Svejkovsky et al.
6,357,579	B1	3/2002	Patterson et al.
6,415,911	B1	7/2002	Svejkovsky et al.
6,464,070	B1	10/2002	Morinaka et al.
6,991,091	B2	1/2006	Thomson et al.
7,387,198	B2	6/2008	Thomson
7,650,986	B2	1/2010	Kwasniewicz

7,975,835	B2	7/2011	Pax
8,066,114	B2	11/2011	Svejkovsky et al.
8,561,788	B2	10/2013	Knodell, Jr. et al.
8,752,695	B2	6/2014	Kwasniewicz et al.
9,027,744	B1	5/2015	Balcar
9,126,765	B2	9/2015	Groenewald et al.
9,452,890	B2	9/2016	Spaulding et al.
9,776,805	B2	10/2017	Groenewald
D866,908	S	11/2019	Friesen

(Continued)

Primary Examiner — Cynthia Ramirez

(74) *Attorney, Agent, or Firm* — Armstrong Teasdale LLP

(57) **CLAIM**

We claim the ornamental design for a conveyor frame, as shown and described.

DESCRIPTION

FIG. 1 is a top perspective view of a conveyor frame showing the new design.

FIG. 2 is another top perspective view of the conveyor frame of FIG. 1.

FIG. 3 is another top perspective view of the conveyor frame of FIG. 1.

FIG. 4 is another top perspective view of the conveyor frame of FIG. 1.

FIG. 5 is a bottom perspective view of the conveyor frame of FIG. 1.

FIG. 6 is another bottom perspective view of the conveyor frame of FIG. 1.

FIG. 7 is right side view of the conveyor frame of FIG. 1.

FIG. 8 is a left side view of the conveyor frame of FIG. 1.

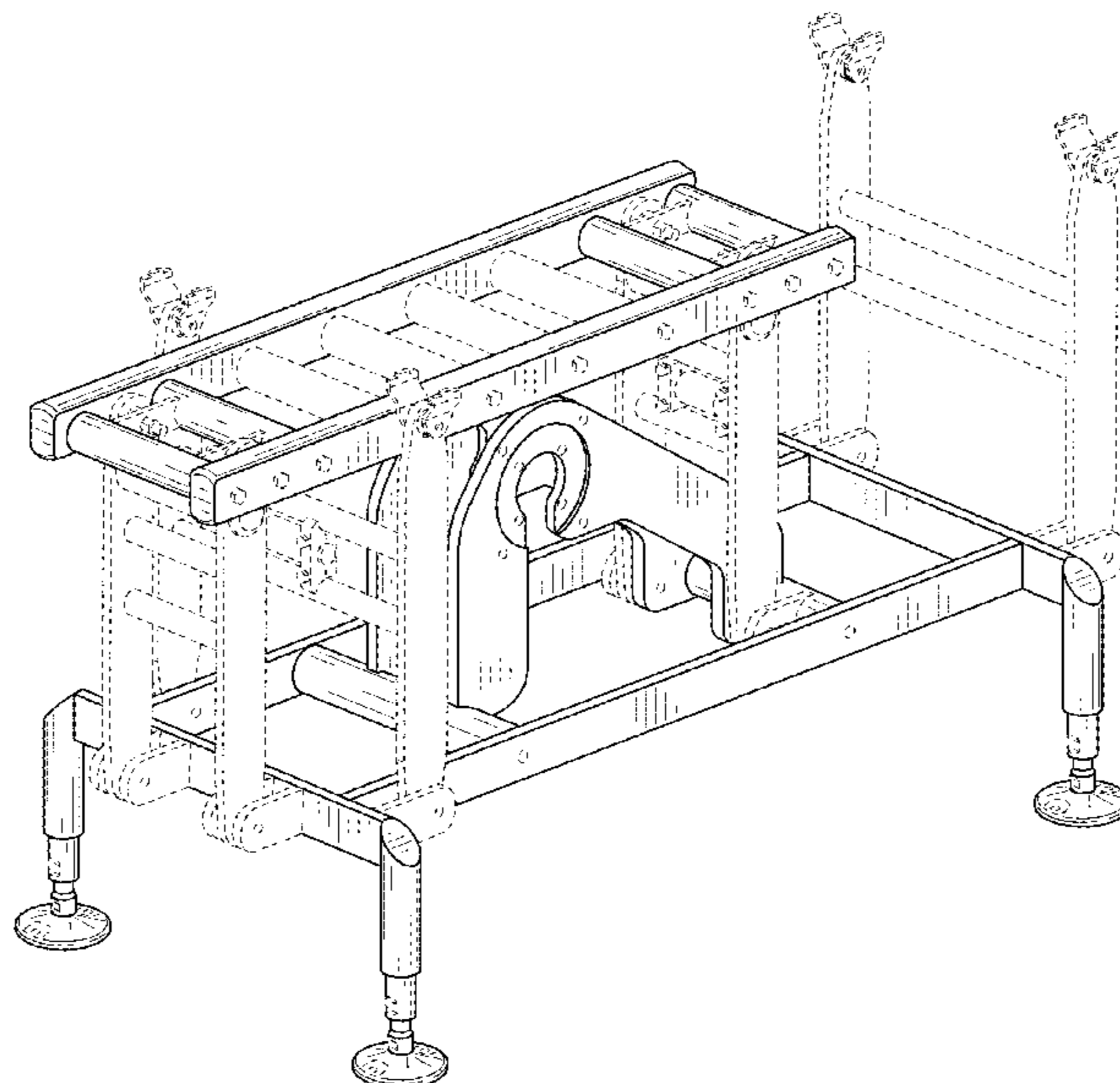
FIG. 9 is a front view of the conveyor frame of FIG. 1.

FIG. 10 is a rear view of the conveyor frame of FIG. 1.

FIG. 11 is a top view of the conveyor frame of FIG. 1; and,

FIG. 12 is a bottom view of the conveyor frame of FIG. 1. The broken lines in the figures show portions of the conveyor frame, which form no part of the claimed design.

1 Claim, 11 Drawing Sheets



(56)

References Cited

U.S. PATENT DOCUMENTS

D899,022	S	*	10/2020	Olmstead	D34/29
2004/0251115	A1		12/2004	Spoeler		
2005/0081480	A1		4/2005	Gerke		
2008/0041494	A1		2/2008	Paavola		
2009/0000923	A1		1/2009	Jager		
2009/0250322	A1		10/2009	Jager		
2010/0213032	A1		8/2010	Bugge		
2017/0001804	A1		1/2017	Bettati		
2017/0088031	A1		3/2017	Baker et al.		
2020/0039752	A1		2/2020	Massey, Jr. et al.		
2020/0115165	A1		4/2020	Olmstead et al.		

* cited by examiner

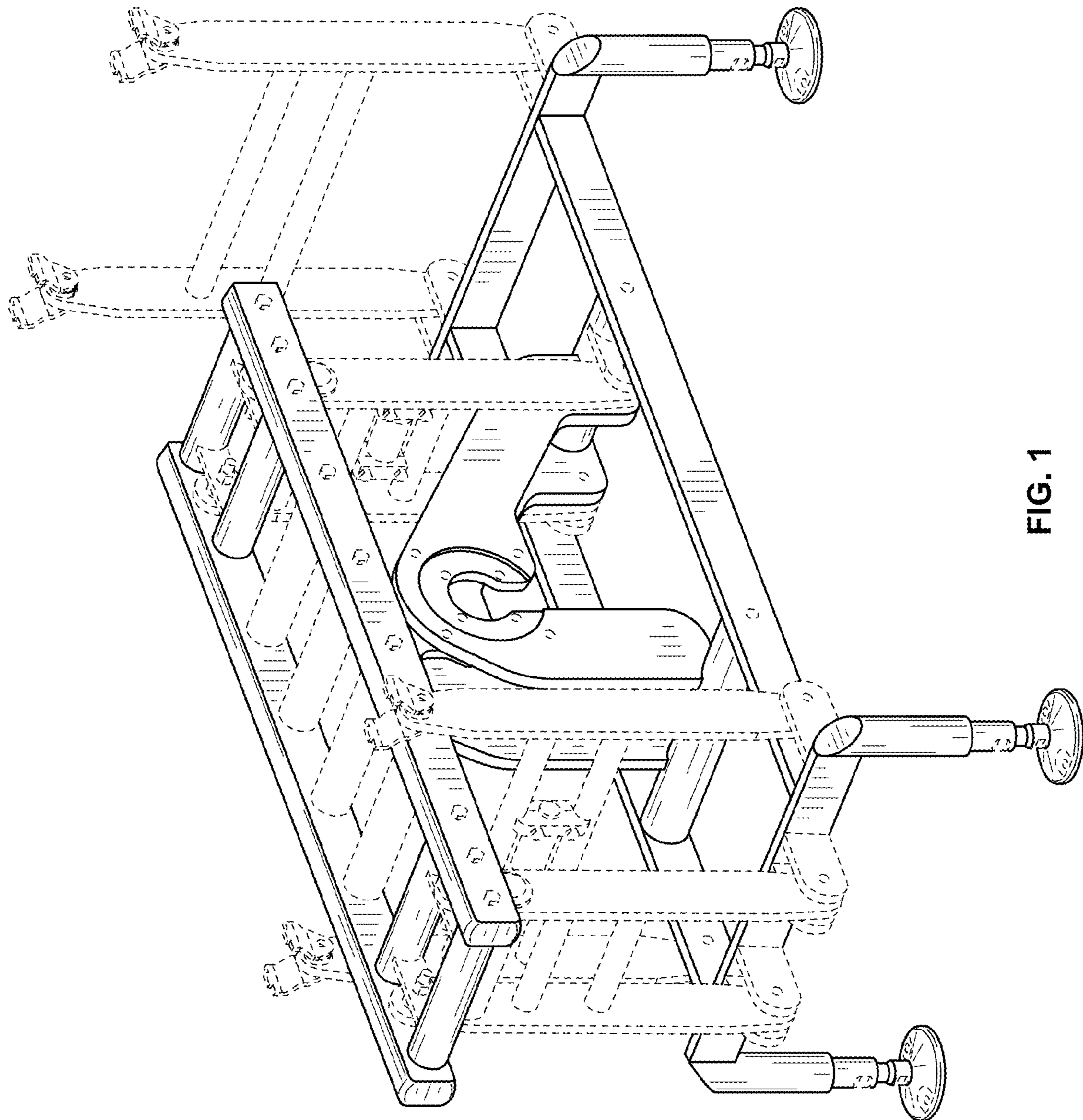


FIG. 1

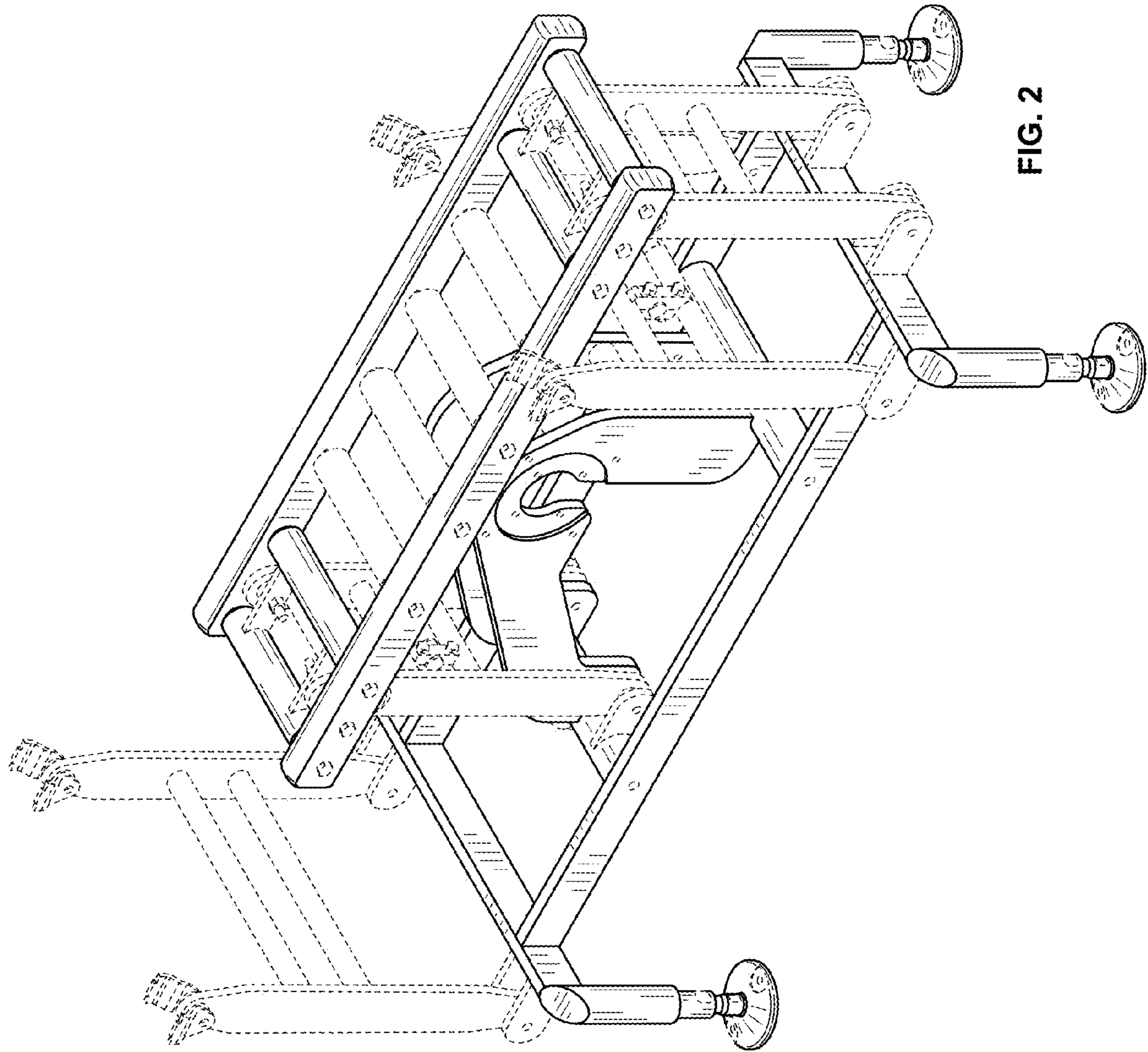


FIG. 2

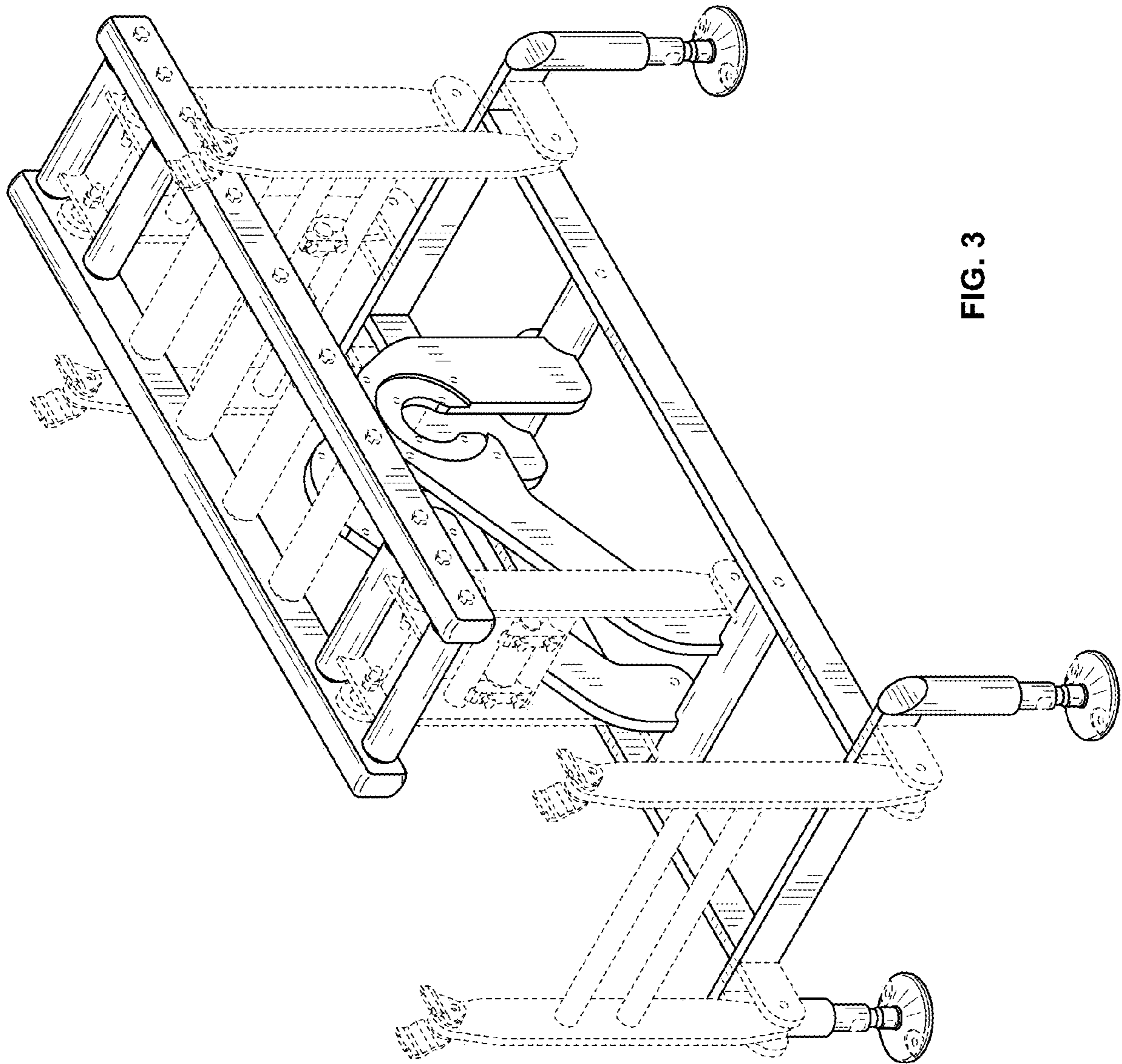


FIG. 3

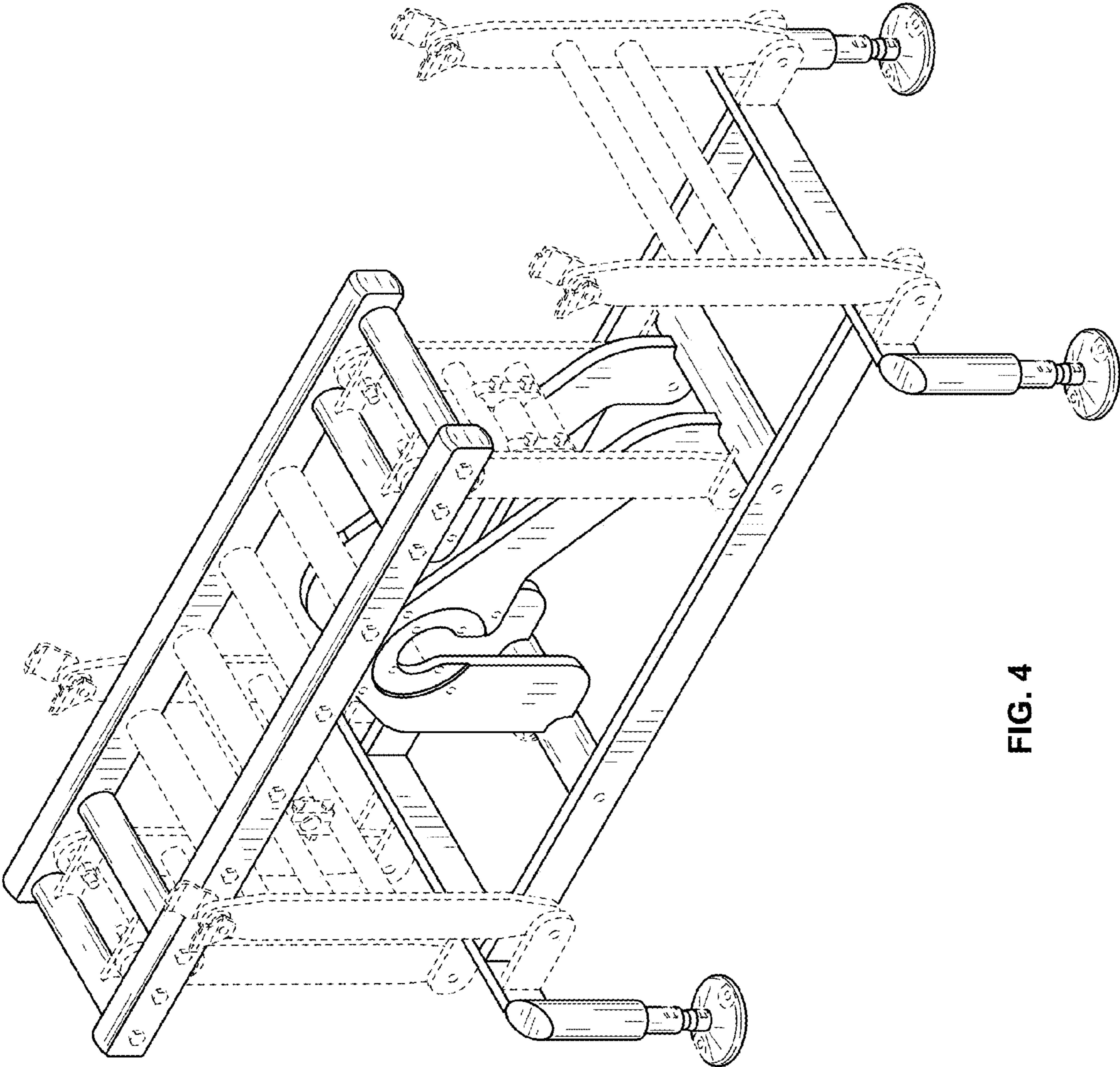


FIG. 4

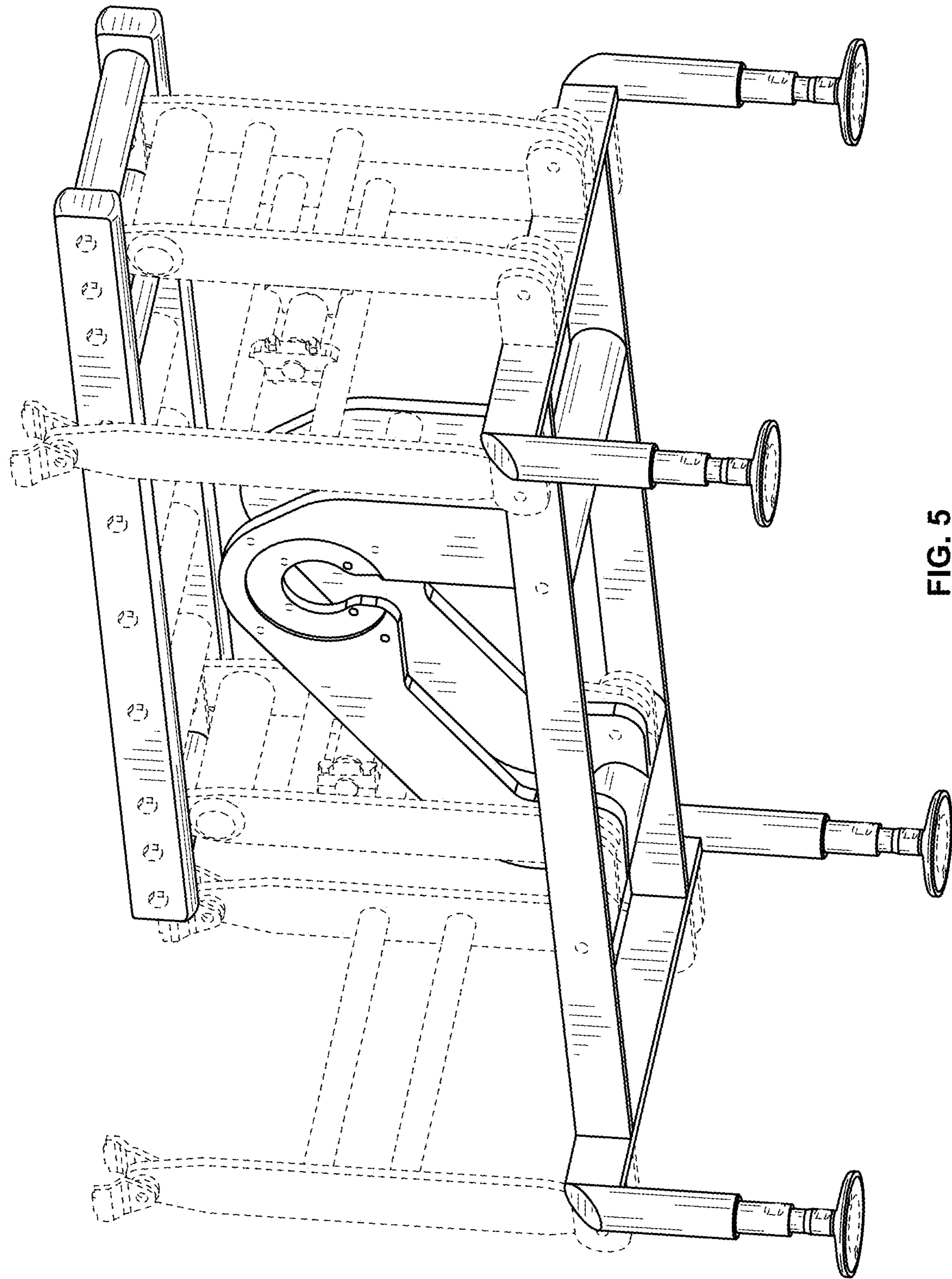


FIG. 5

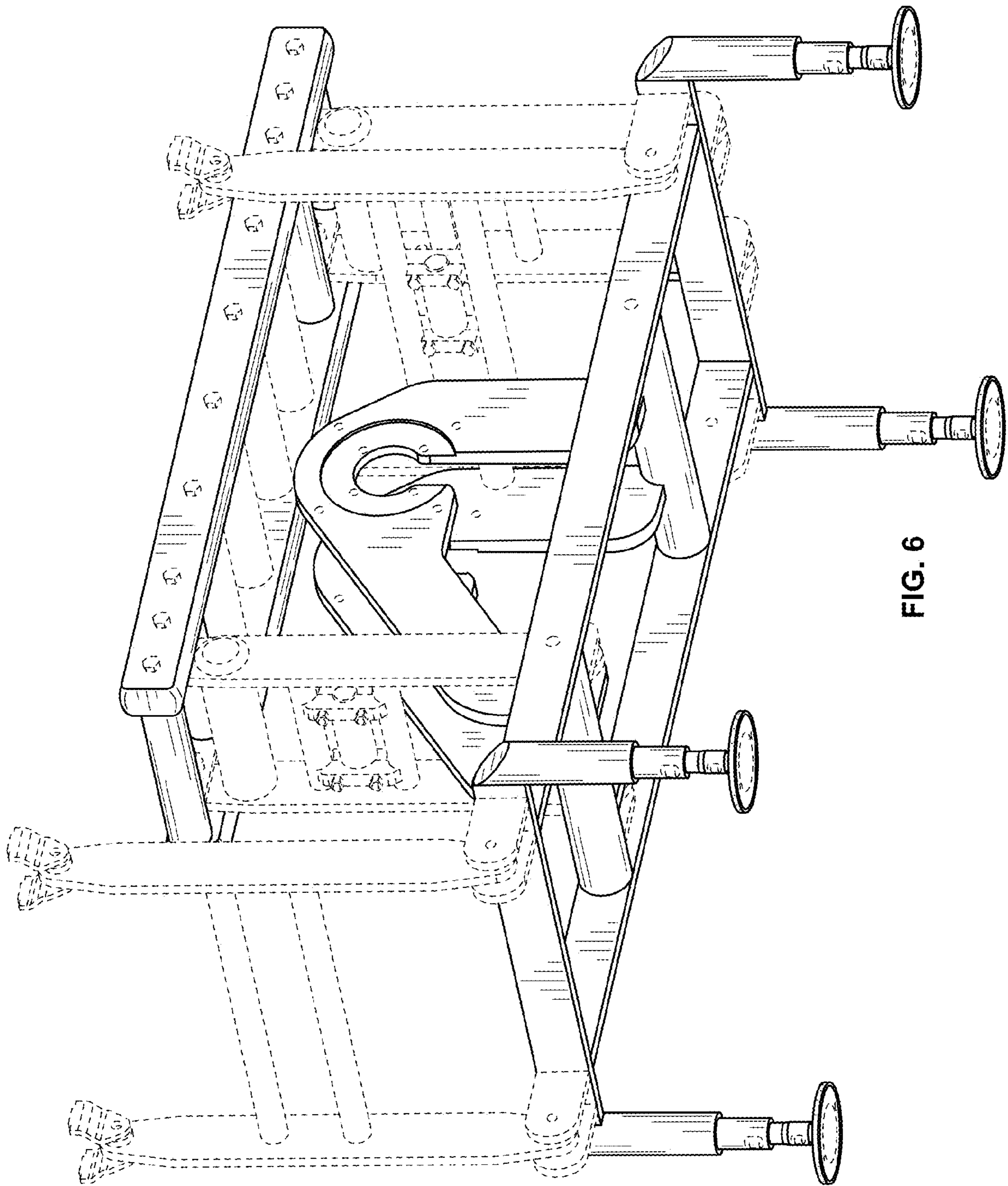


FIG. 6

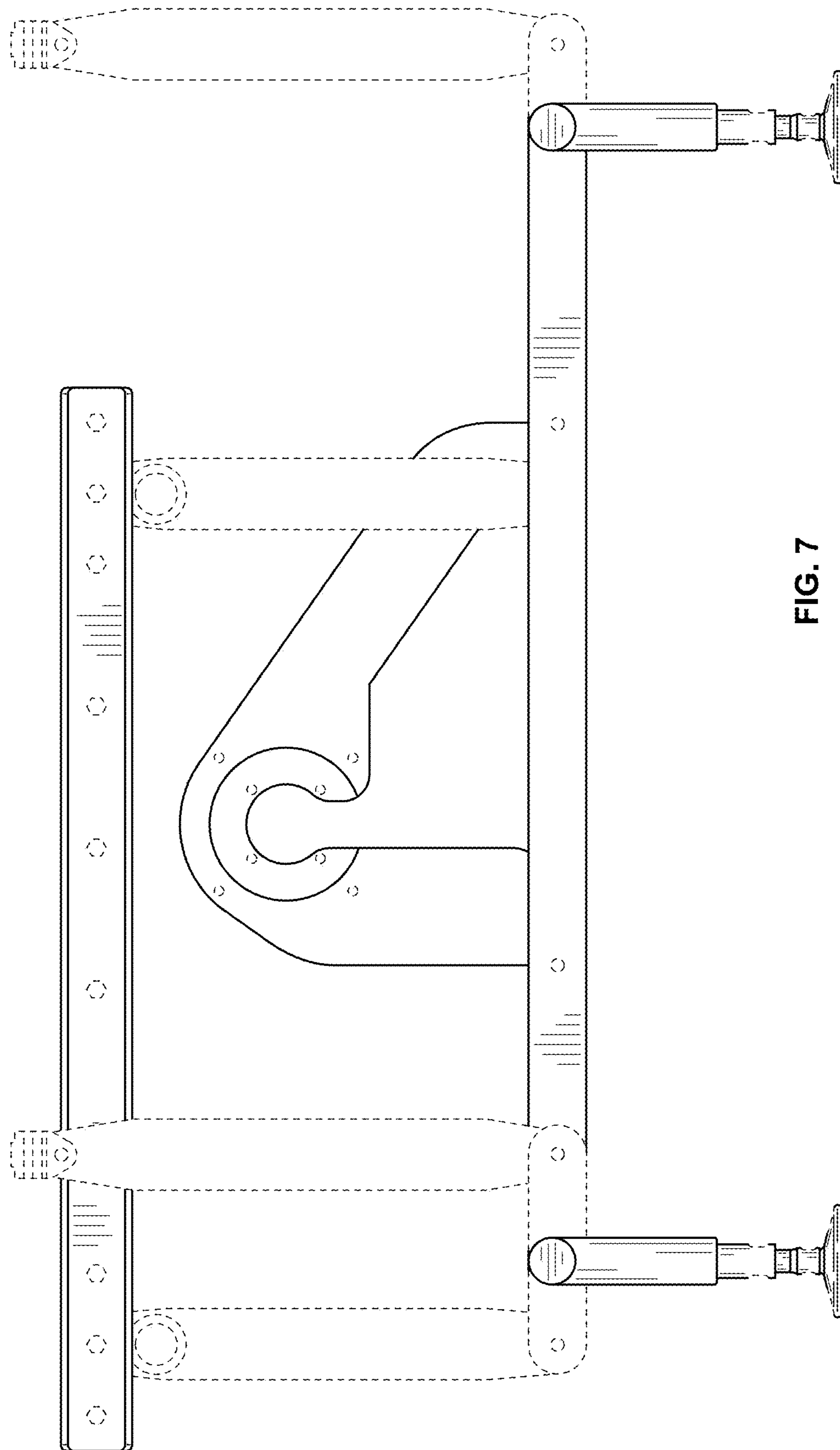


FIG. 7

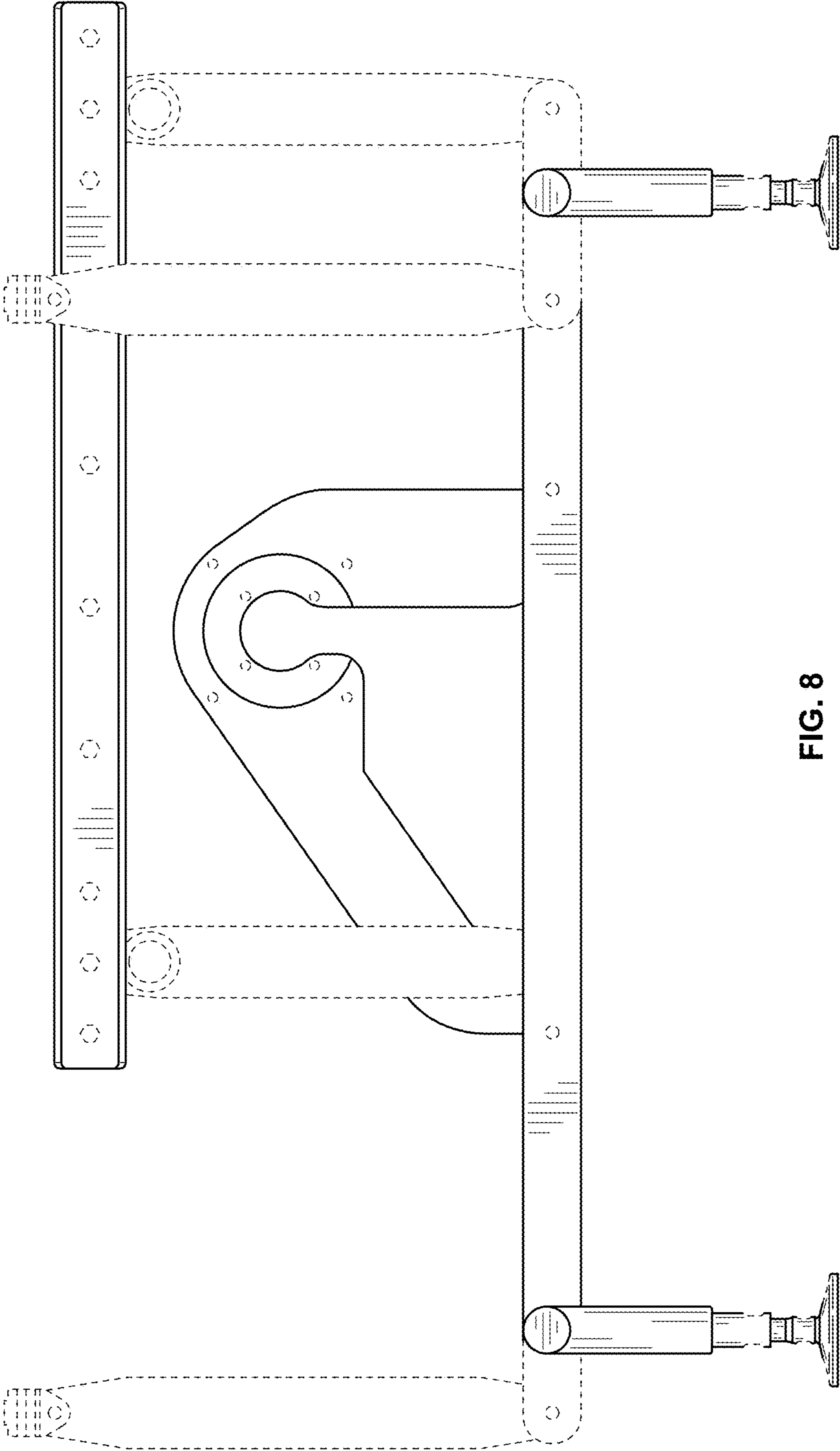


FIG. 8

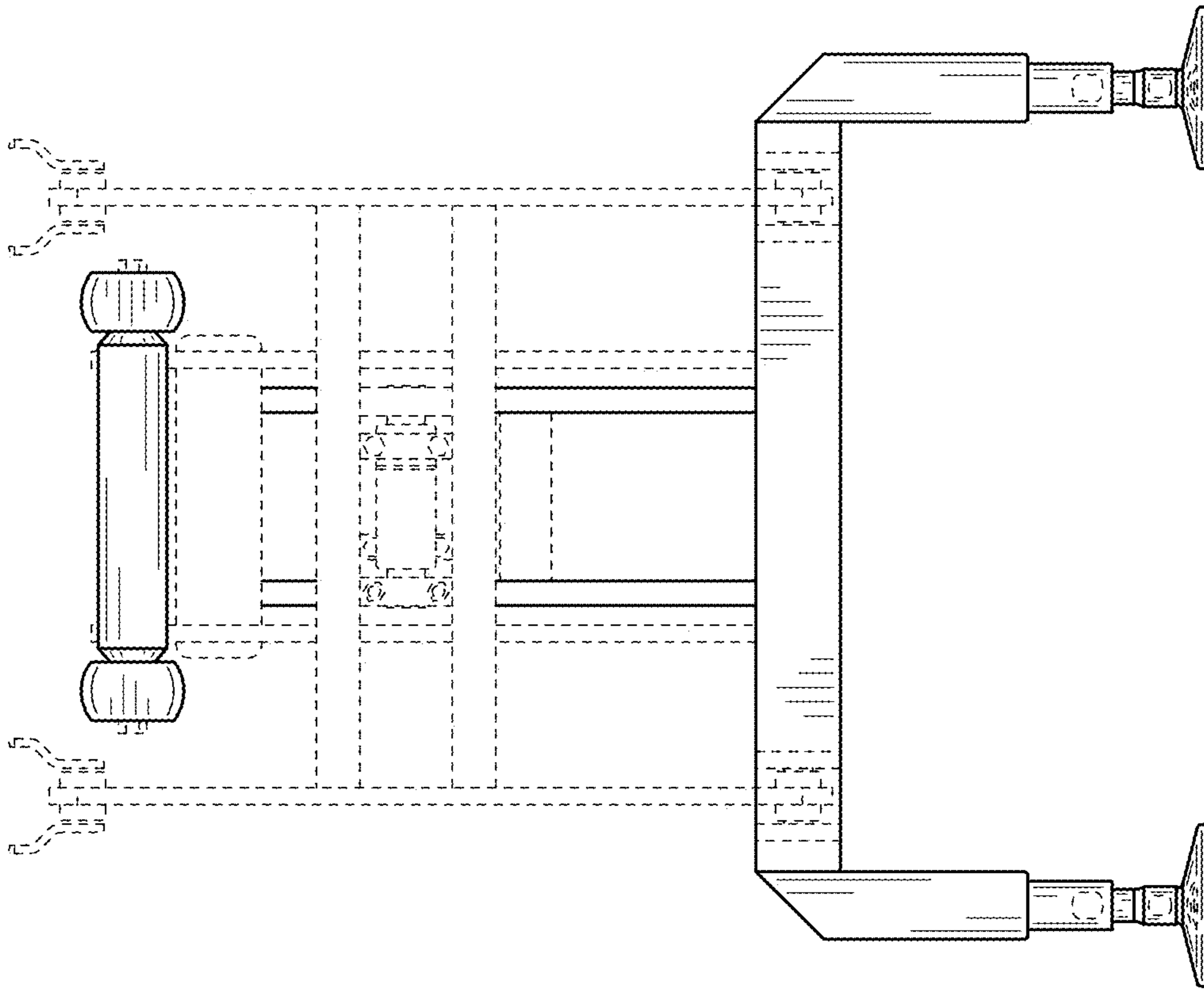


FIG. 10

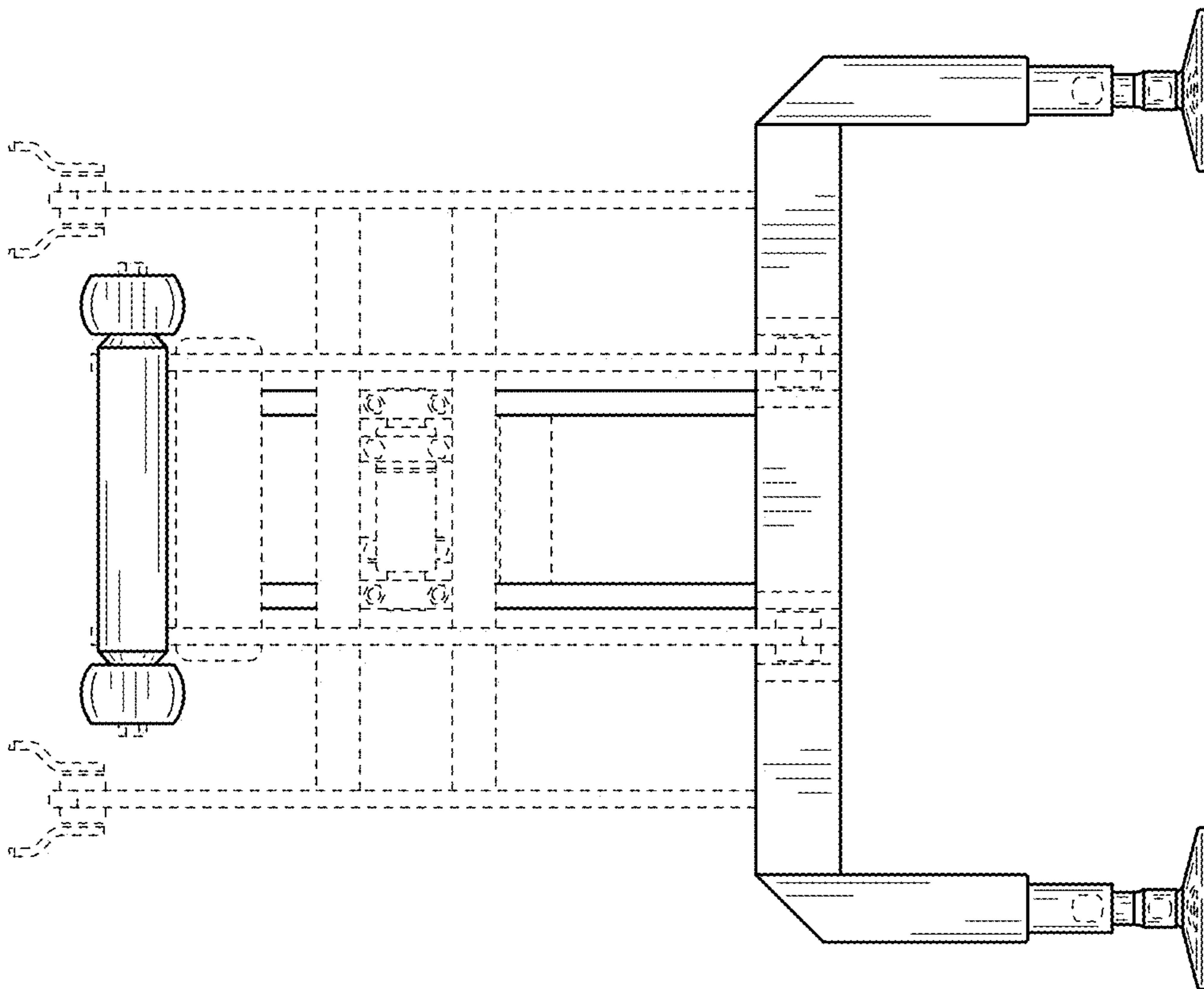


FIG. 9

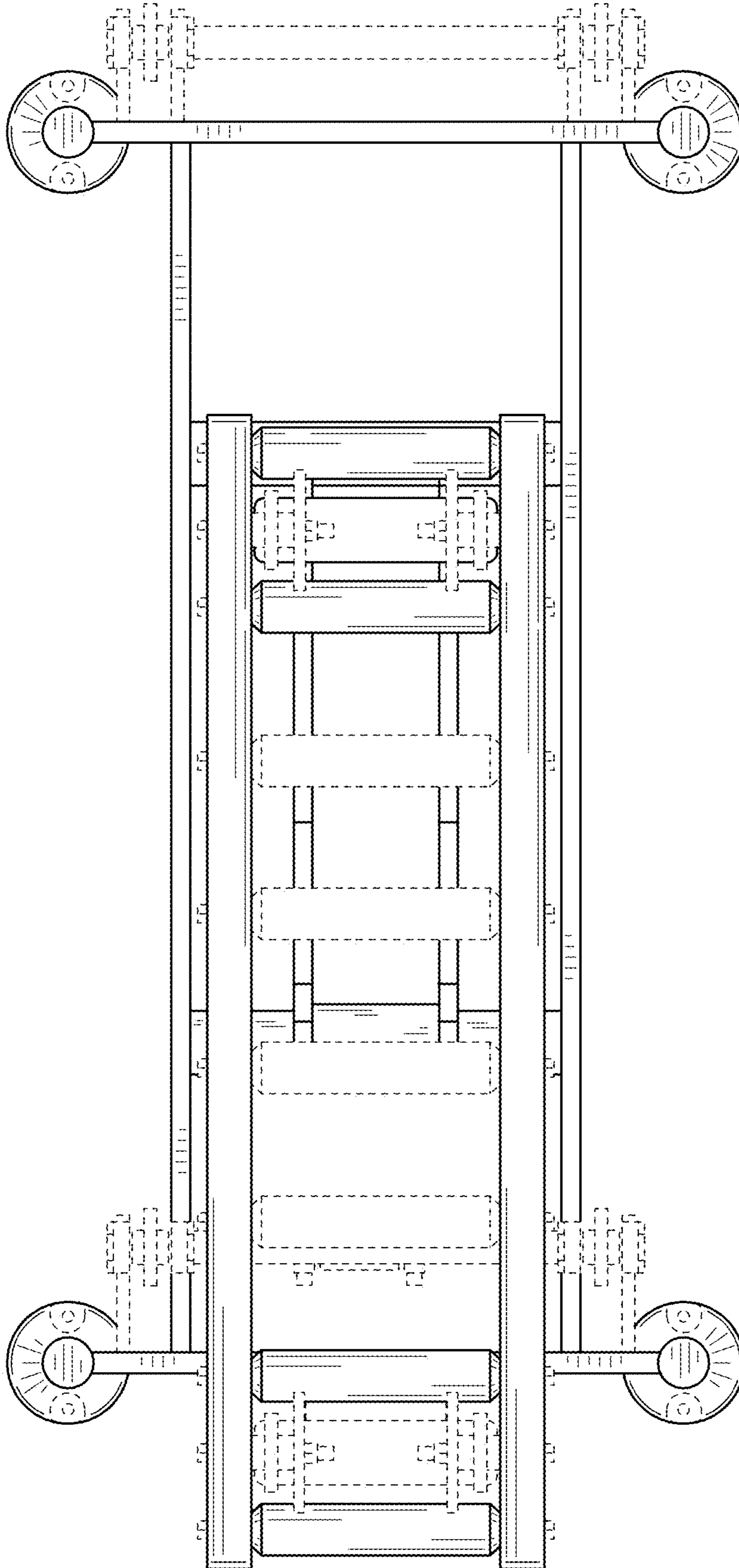


FIG. 11

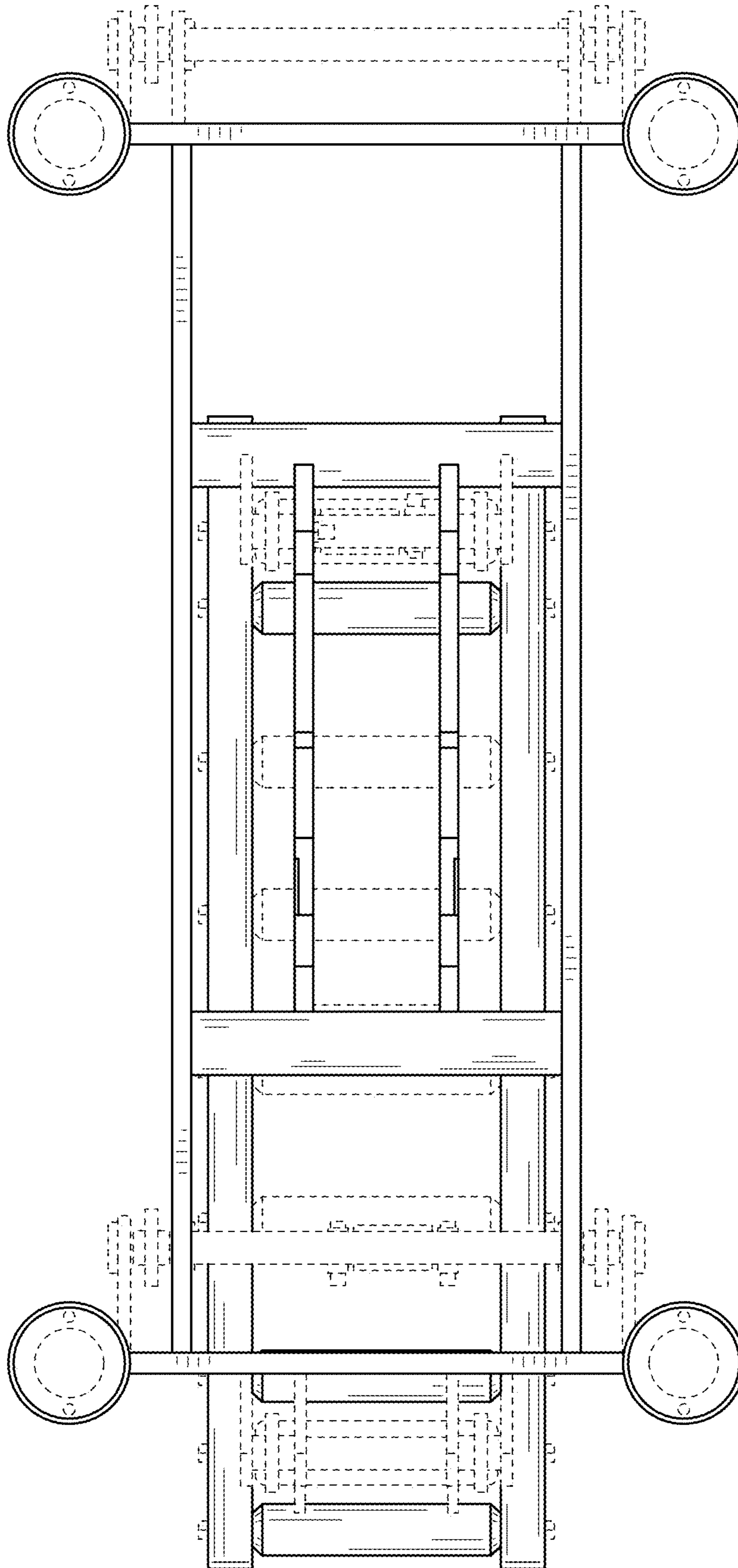


FIG. 12