



US00D928442S

(12) **United States Design Patent**
Zhan

(10) **Patent No.:** **US D928,442 S**

(45) **Date of Patent:** **** Aug. 17, 2021**

(54) **DISH DRYING RACK**

(71) Applicant: **Ningbo Yaochong Technology Co., Ltd., Zhejiang (CN)**

(72) Inventor: **Jie Zhan, Zhejiang (CN)**

(73) Assignee: **Ningbo Yaochong Technology Co., Ltd., Zhejiang (CN)**

(**) Term: **15 Years**

(21) Appl. No.: **29/776,126**

(22) Filed: **Mar. 28, 2021**

(51) **LOC (13) Cl.** **07-05**

(52) **U.S. Cl.**
USPC **D32/55**

(58) **Field of Classification Search**
USPC D32/55, 276, 3; D6/510, 525; D30/133;
211/41.5, 41.4, 41.3, 41.8; 361/679.4;
312/311, 333, 334.4; D7/354, 629
CPC A47J 47/20; A47J 2201/00; A47J 47/00;
B65D 35/02; B65D 35/22; B65D 35/56
See application file for complete search history.

(56) **References Cited**

U.S. PATENT DOCUMENTS

D326,946 S *	6/1992	Szuster	D3/306
D554,819 S *	11/2007	Shah	D32/55
D630,397 S *	1/2011	Molayem	D32/55
D699,413 S *	2/2014	Huang	D32/55
D776,385 S *	1/2017	Evans	D32/55

D862,823 S *	10/2019	Zhao	D32/55
D871,703 S *	12/2019	Huang	D32/55
D874,775 S *	2/2020	Xie	D32/55
D882,199 S *	4/2020	Cao	D32/55
D887,098 S *	6/2020	Li	D32/55
D903,216 S *	11/2020	Xie	D32/55
D915,708 S *	4/2021	Tang	D32/55
D921,316 S *	6/2021	Zhou	D32/55

* cited by examiner

Primary Examiner — Austin Murphy

(74) *Attorney, Agent, or Firm* — ScienBiziP, P.C.

(57) **CLAIM**

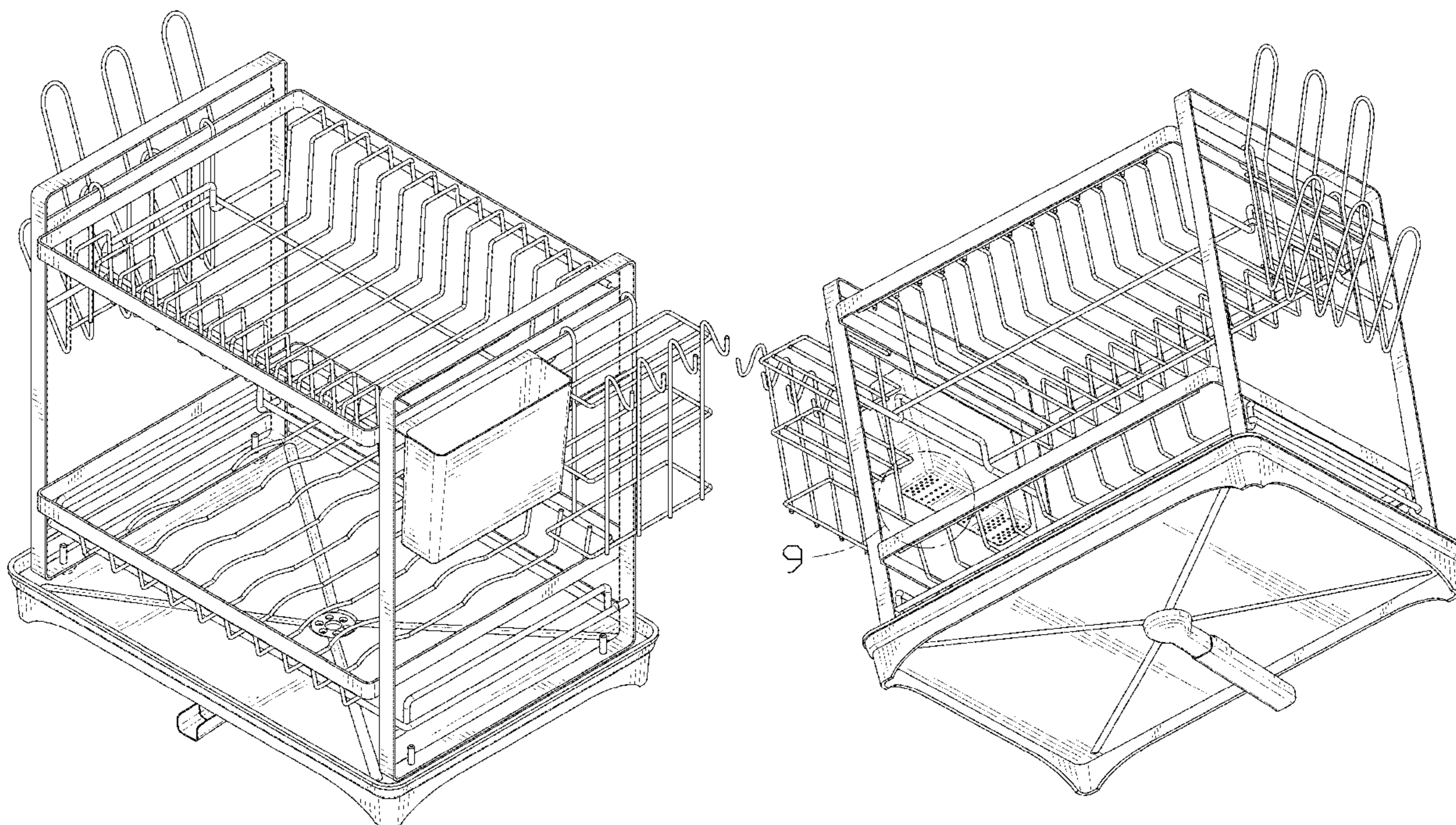
The ornamental design for a dish drying rack, as shown and described.

DESCRIPTION

FIG. 1 is a front, right, and top perspective view of a dish drying rack, showing my design.
FIG. 2 is a rear, left, and bottom perspective view thereof.
FIG. 3 is a front elevation view thereof.
FIG. 4 is a rear elevation view thereof.
FIG. 5 is a left side elevation view thereof.
FIG. 6 is a right side elevation view thereof.
FIG. 7 is a top plan view thereof.
FIG. 8 is a bottom plan view thereof; and,
FIG. 9 is a partial enlarged view of an area labeled 9 in FIG. 2 comprising Filter holes.

The broken lines shown in the drawings are included for the purpose of illustrating portions of the dish drying rack that form no part of the claimed design.

1 Claim, 9 Drawing Sheets



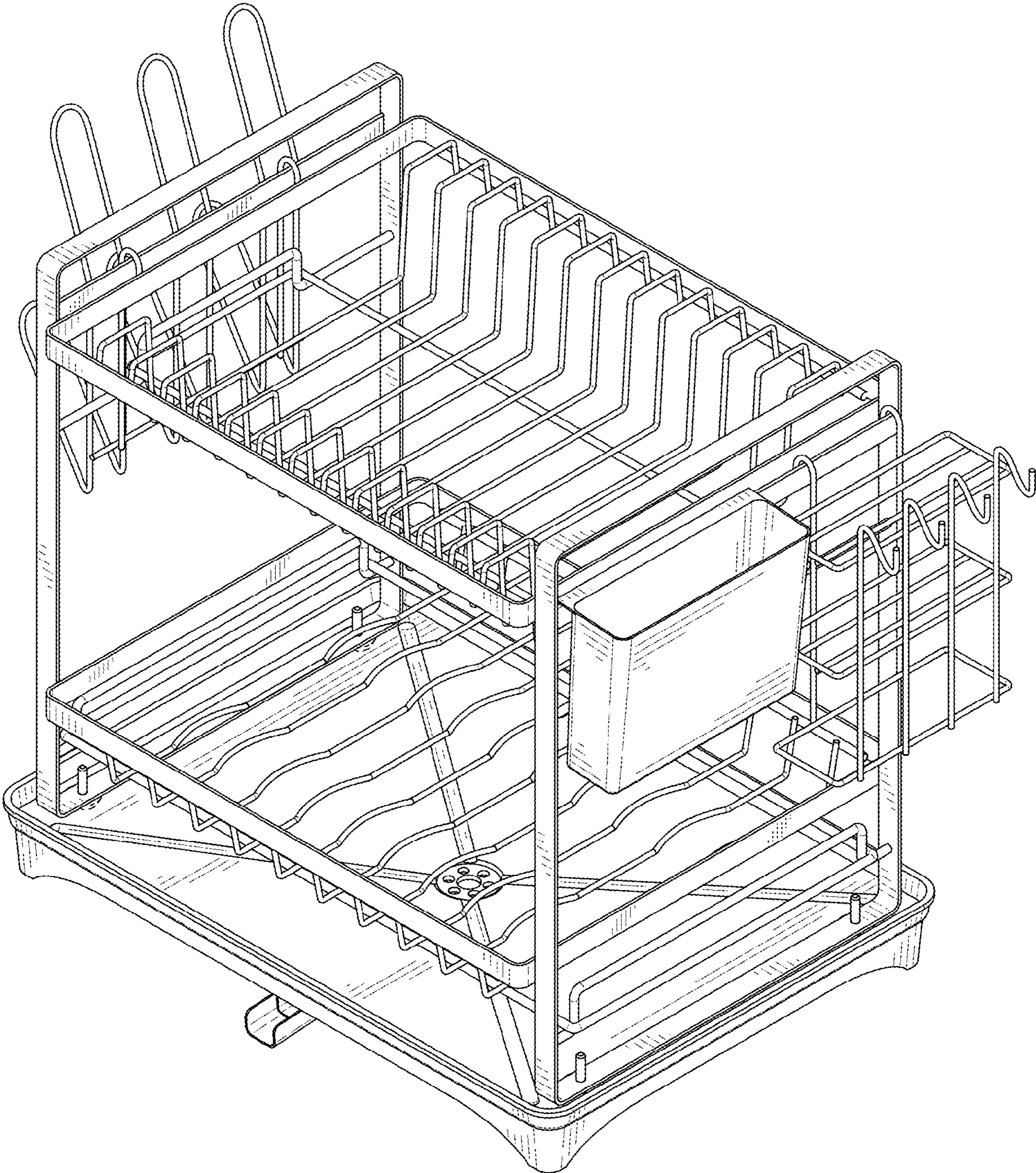


FIG. 1

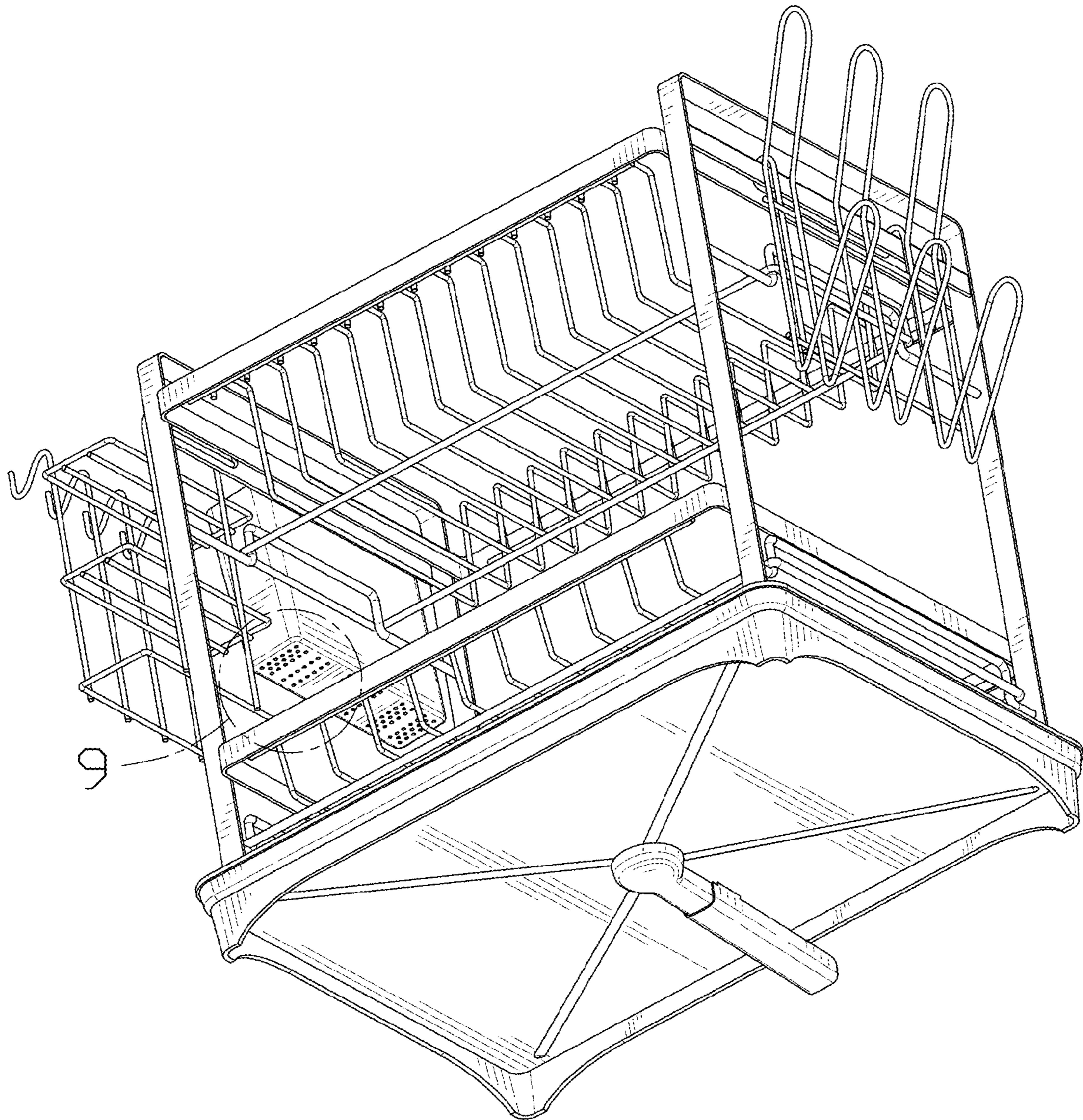


FIG. 2

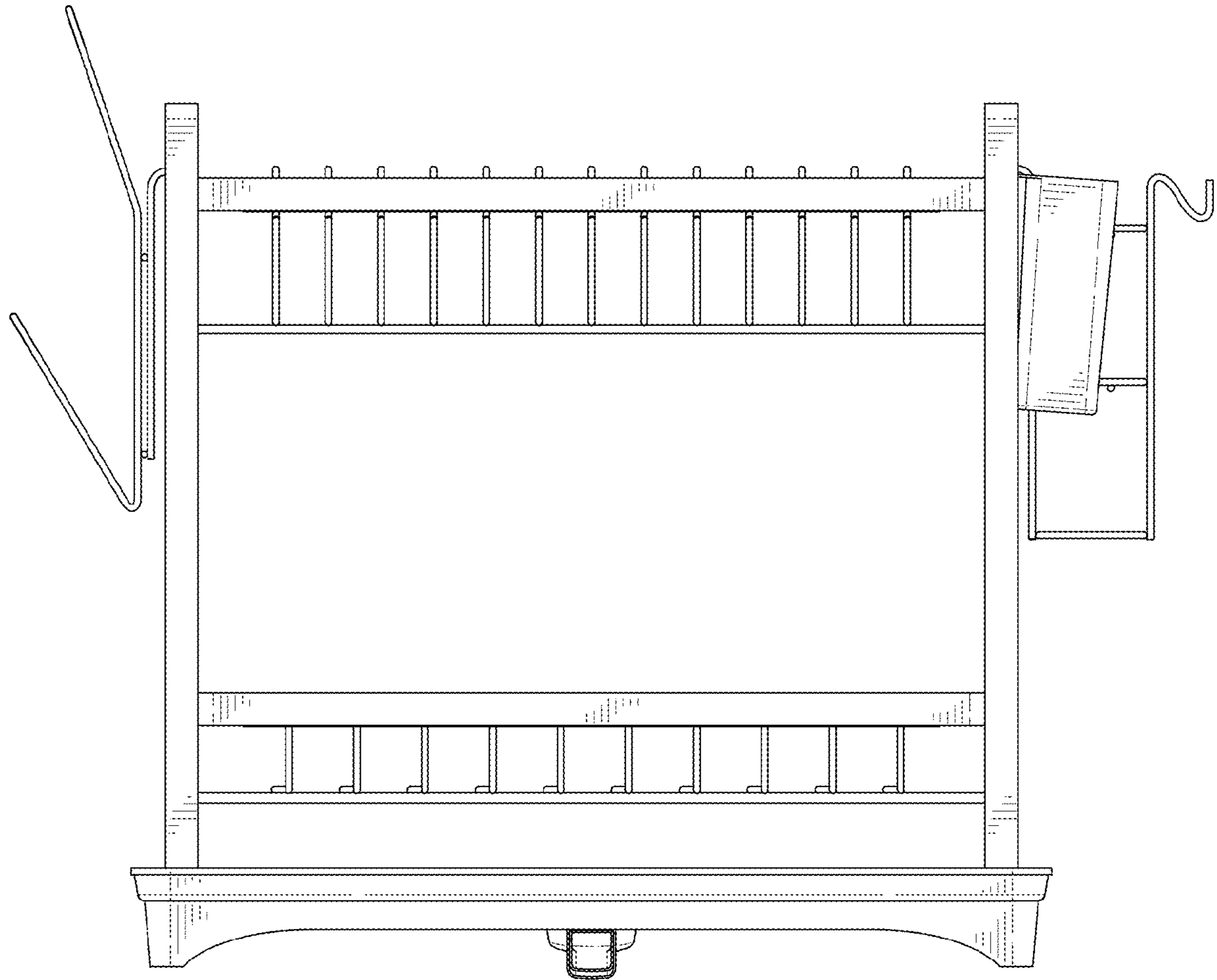


FIG. 3

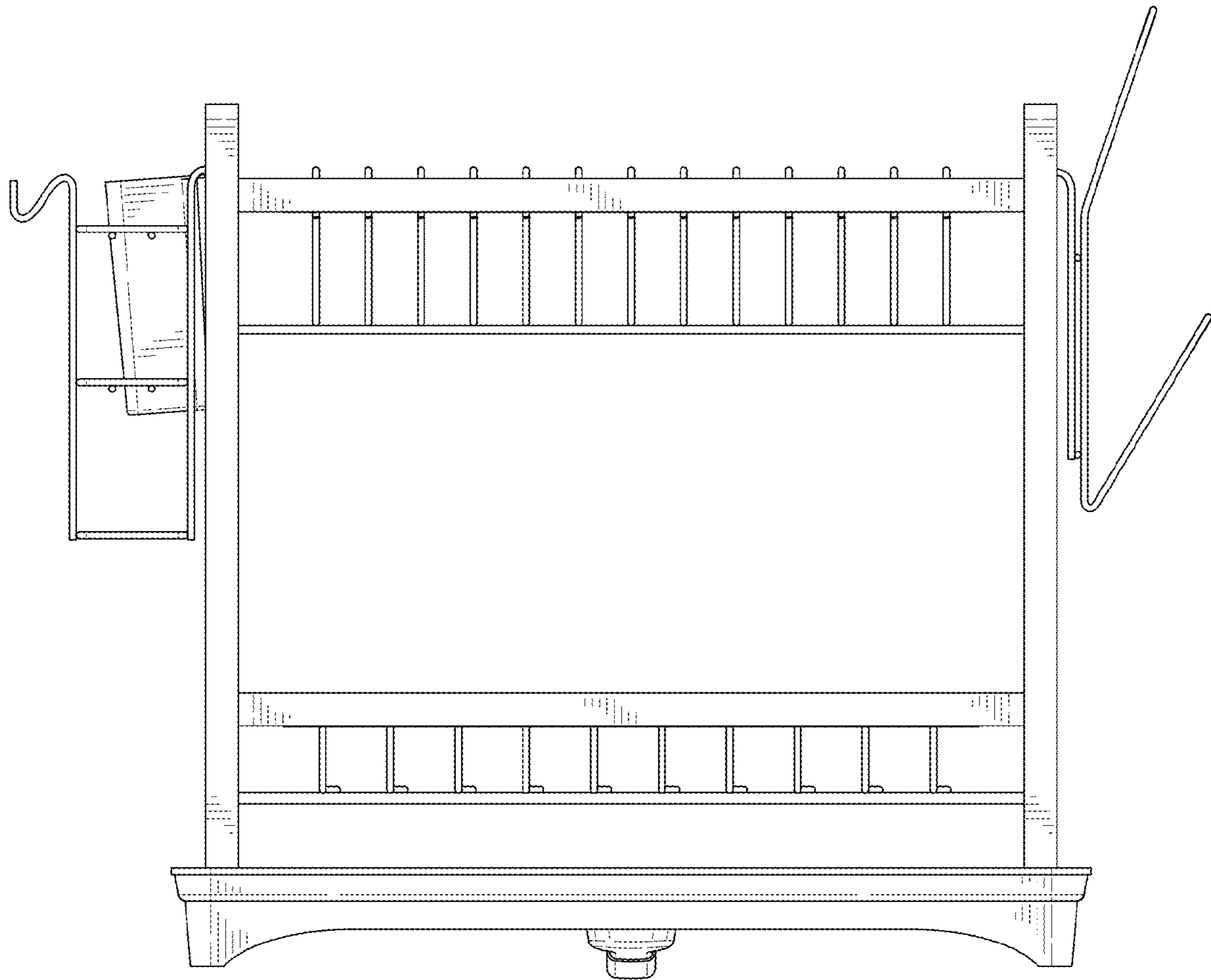


FIG. 4

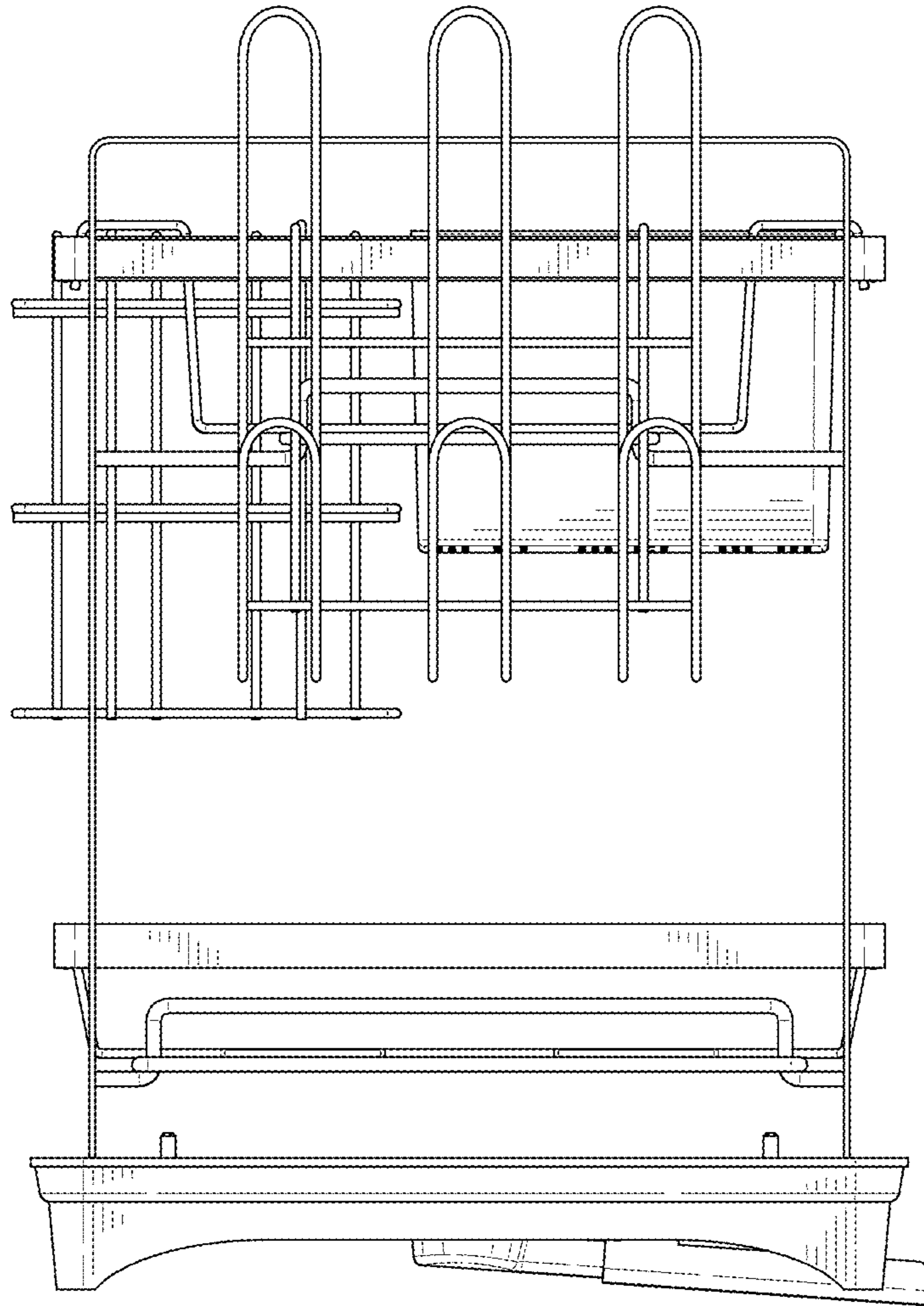


FIG. 5

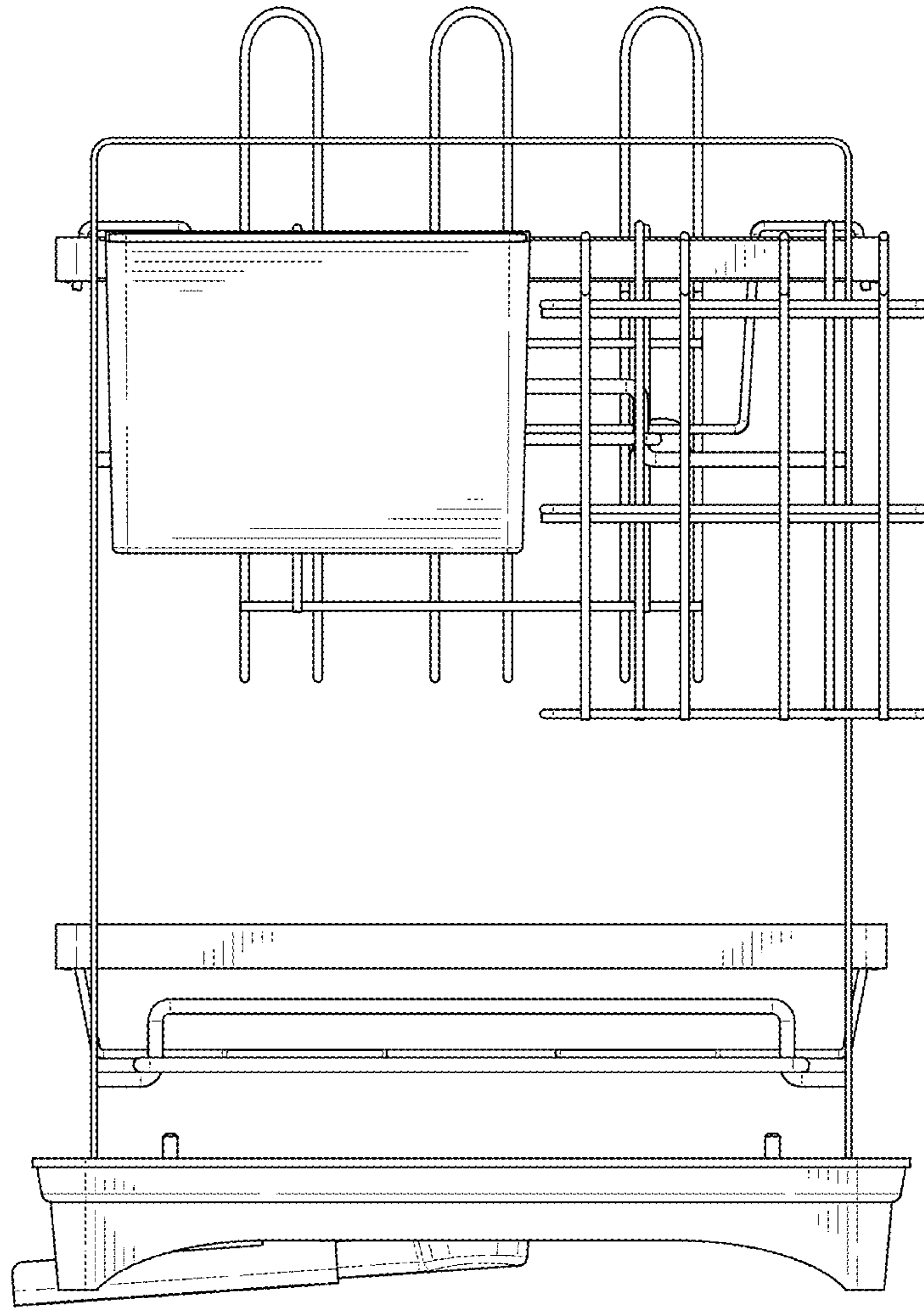


FIG. 6

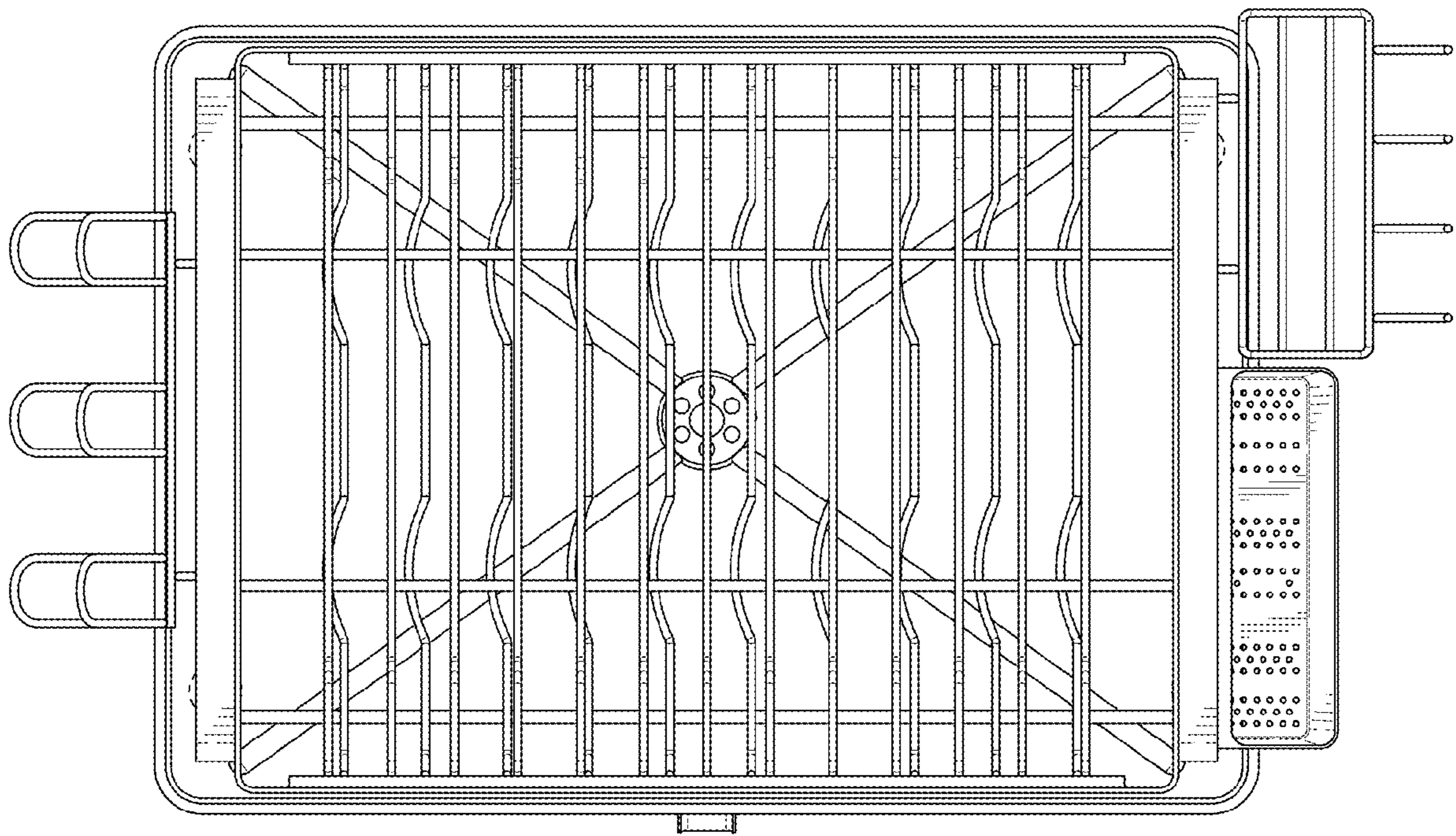


FIG. 7

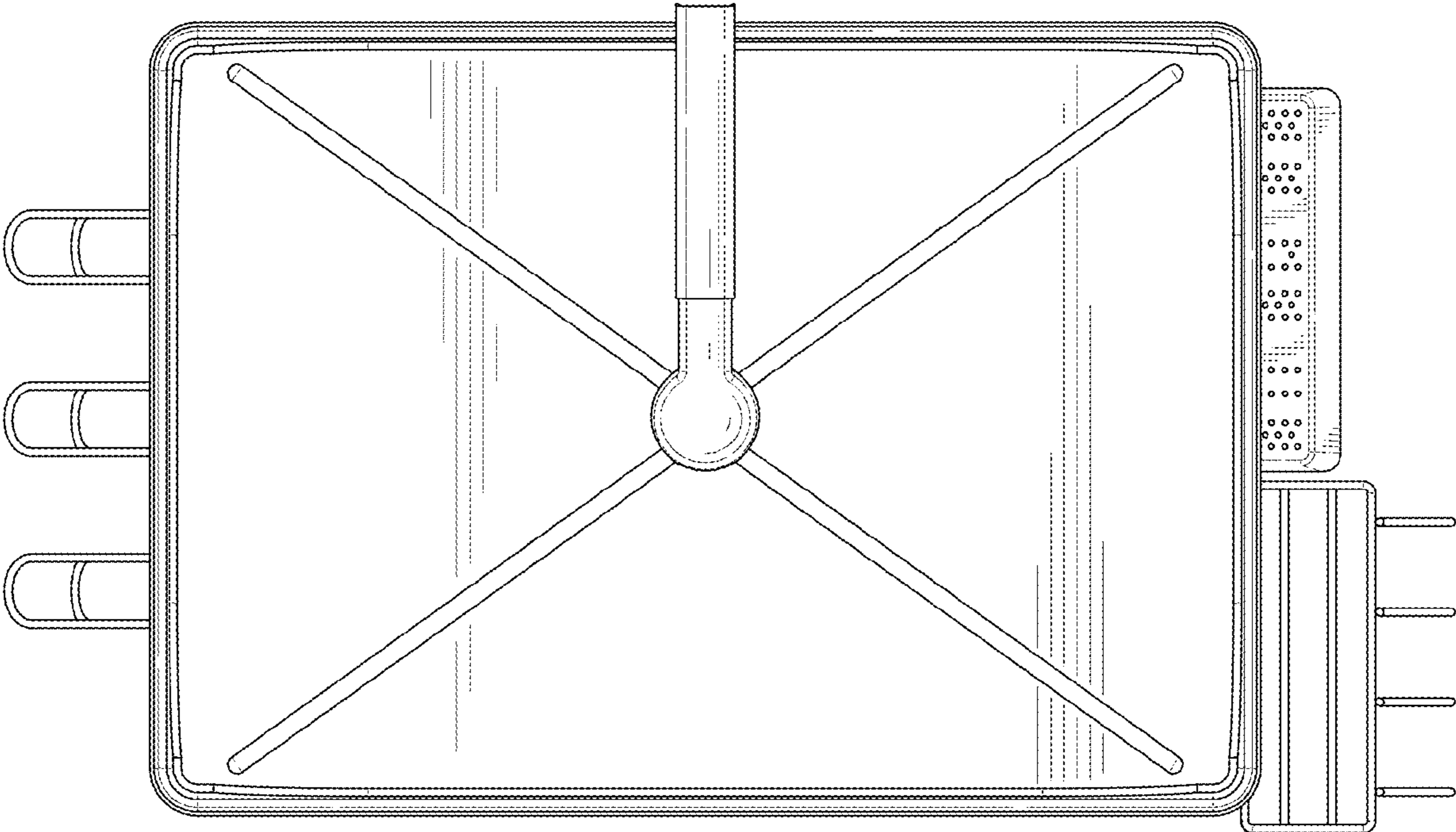


FIG. 8

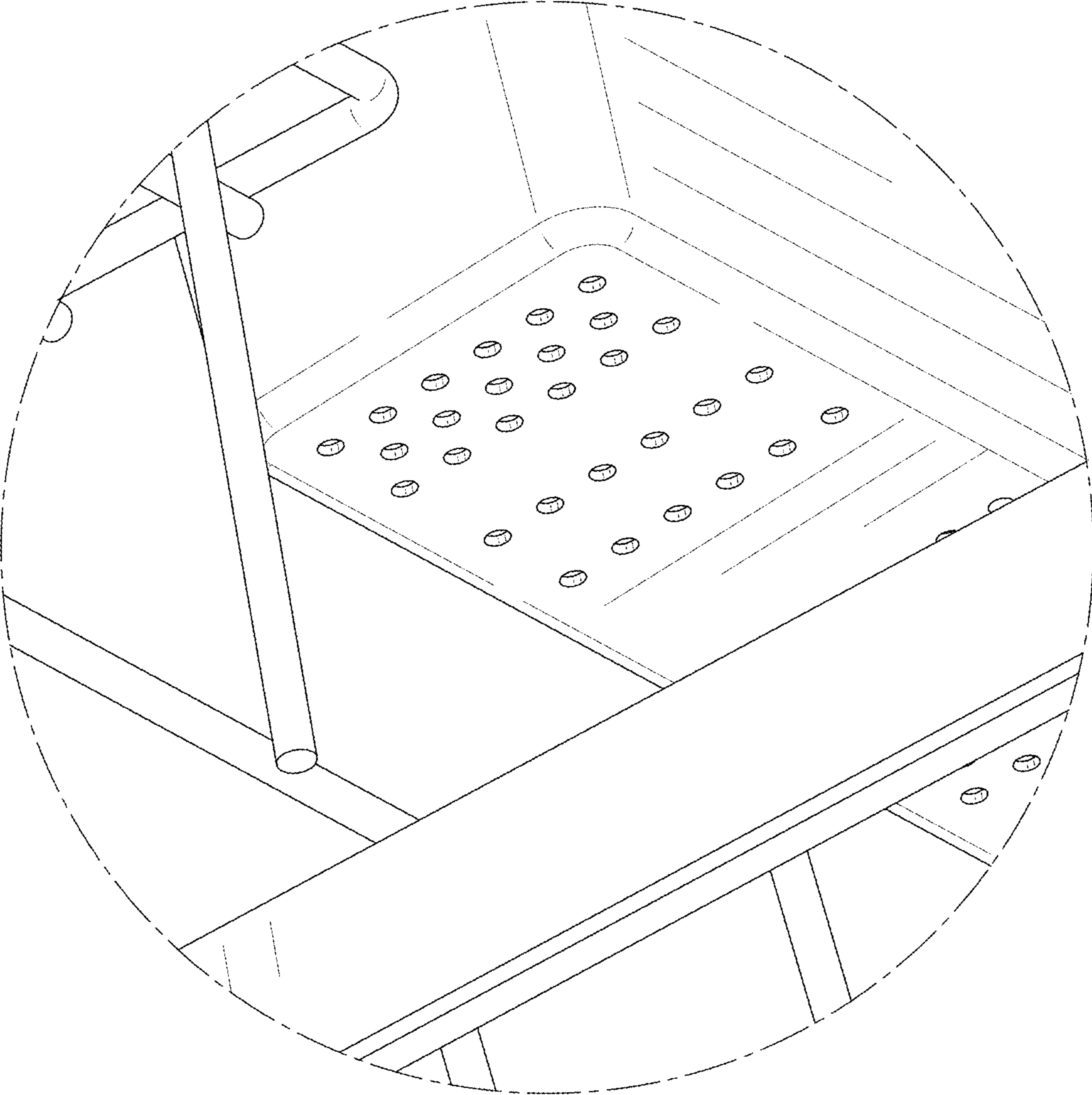


FIG. 9