



US00D928441S

(12) **United States Design Patent** (10) **Patent No.:** **US D928,441 S**  
**Wytovicz** (45) **Date of Patent:** **\*\* Aug. 17, 2021**

(54) **COMBINED GRILL OILER AND SEASONER**

(71) Applicant: **Christopher Wytovicz**, Lake Forest Park, WA (US)

(72) Inventor: **Christopher Wytovicz**, Lake Forest Park, WA (US)

(\*\*) Term: **15 Years**

(21) Appl. No.: **29/769,552**

(22) Filed: **Feb. 5, 2021**

D465,090 S \* 11/2002 Robinson ..... D4/122  
D540,543 S \* 4/2007 Hay ..... D4/118  
D549,834 S \* 8/2007 Huang ..... D24/211  
D590,600 S \* 4/2009 Dow ..... D4/119  
7,621,234 B2 \* 11/2009 Roy ..... A01K 13/002  
119/613

7,861,357 B1 1/2011 Porter  
8,006,648 B1 \* 8/2011 Sourwine ..... A01K 13/001  
119/609

8,032,974 B2 \* 10/2011 Carpenter ..... A47L 13/34  
15/229.11

D652,869 S \* 1/2012 Dancsecs ..... D19/65  
D653,037 S \* 1/2012 Enders ..... D4/116

(Continued)

**Related U.S. Application Data**

(63) Continuation-in-part of application No. 16/527,207, filed on Jul. 31, 2019, and a continuation-in-part of application No. 29/685,206, filed on Mar. 27, 2019, now Pat. No. Des. 914,311.

(51) **LOC (13) Cl.** ..... **07-05**

(52) **U.S. Cl.**  
USPC ..... **D32/46; D7/697**

(58) **Field of Classification Search**  
USPC ..... D32/30-33, 40-43, 46-49; D7/670, 697  
CPC ..... A47L 13/02; A47L 13/08; A47L 9/06  
See application file for complete search history.

(56) **References Cited**

**U.S. PATENT DOCUMENTS**

1,635,970 A \* 7/1927 Cave ..... B25G 3/00  
15/206  
3,217,666 A \* 11/1965 Thode ..... A21C 3/021  
492/14  
3,742,547 A 7/1973 Sohmer  
D265,506 S \* 7/1982 Finamore ..... D24/147  
D290,214 S \* 6/1987 Nellis ..... D4/122  
6,023,810 A 2/2000 Gessert  
D459,639 S \* 7/2002 Hefti ..... D7/683  
6,427,633 B1 \* 8/2002 Ogden ..... A01K 13/002  
119/600  
6,443,646 B1 \* 9/2002 MacDonald ..... A46B 11/00  
401/25

**FOREIGN PATENT DOCUMENTS**

CN 3616961 \* 3/2007

*Primary Examiner* — John R Yeh

(74) *Attorney, Agent, or Firm* — Wooshik Shim; Bold IP, PLLC

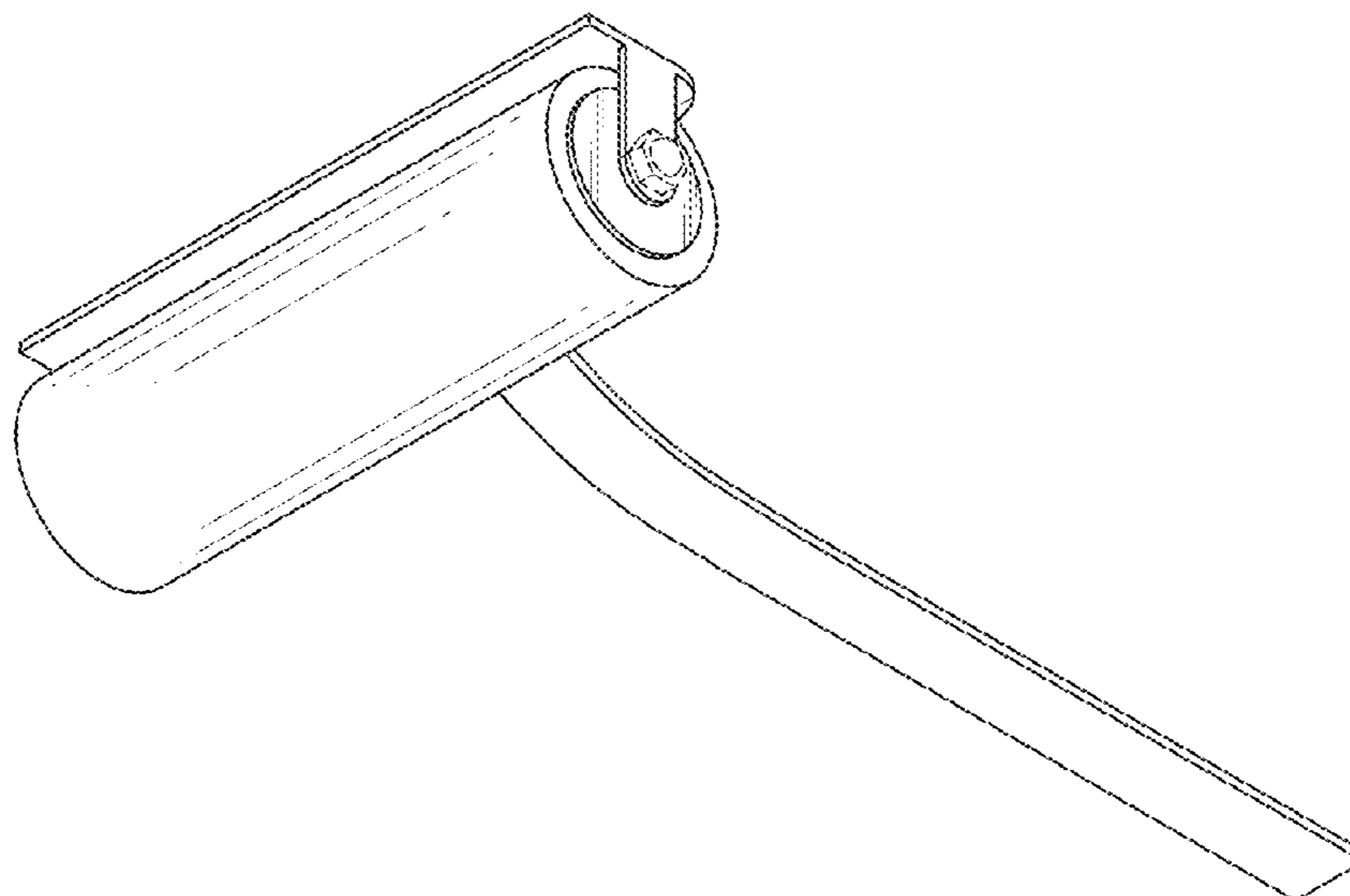
(57) **CLAIM**

The ornamental design for a combined grill oiler and seasoner, as shown and described.

**DESCRIPTION**

FIG. 1 is a front-top perspective view of a combined grill oiler and seasoner;  
FIG. 2 is a front-bottom perspective view thereof;  
FIG. 3 is a front view thereof, the rear view thereof being a mirror image of the front view;  
FIG. 4 is a top view thereof;  
FIG. 5 is a left view thereof;  
FIG. 6 is a right view thereof; and,  
FIG. 7 is a bottom view thereof.  
The broken lines in the figures illustrate portions of the combined grill oiler and seasoner which form no part of the claimed design.

**1 Claim, 7 Drawing Sheets**



(56)

**References Cited**

U.S. PATENT DOCUMENTS

D661,906 S \* 6/2012 Zemel ..... D4/131  
9,101,205 B2 \* 8/2015 Gunjian ..... A46B 3/18  
D758,684 S \* 6/2016 Lawson ..... D32/48  
9,357,832 B2 \* 6/2016 Gonzalez ..... A46D 1/0207  
9,943,885 B1 4/2018 Rosenberger  
D833,154 S \* 11/2018 Zemel ..... D4/119  
D841,176 S \* 2/2019 Gaquiere ..... D24/211  
D914,311 S \* 3/2021 Wytovicz ..... D32/46  
2016/0066761 A1 \* 3/2016 Magnani ..... B26B 5/005  
30/172  
2017/0055689 A1 \* 3/2017 Gunjian ..... A46D 3/00  
2017/0203336 A1 \* 7/2017 Rosenberger ..... A47L 17/06

\* cited by examiner

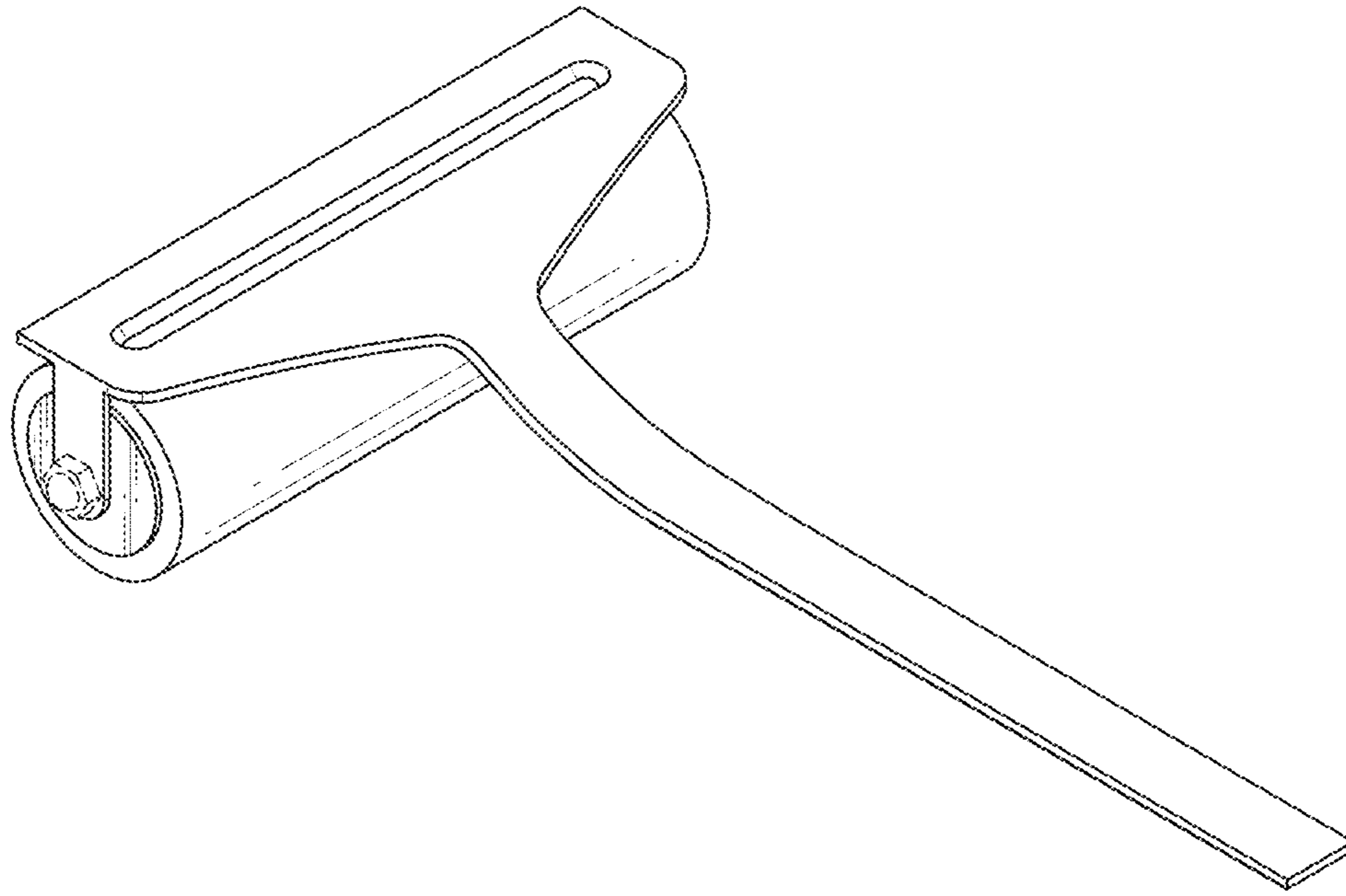


FIG. 1

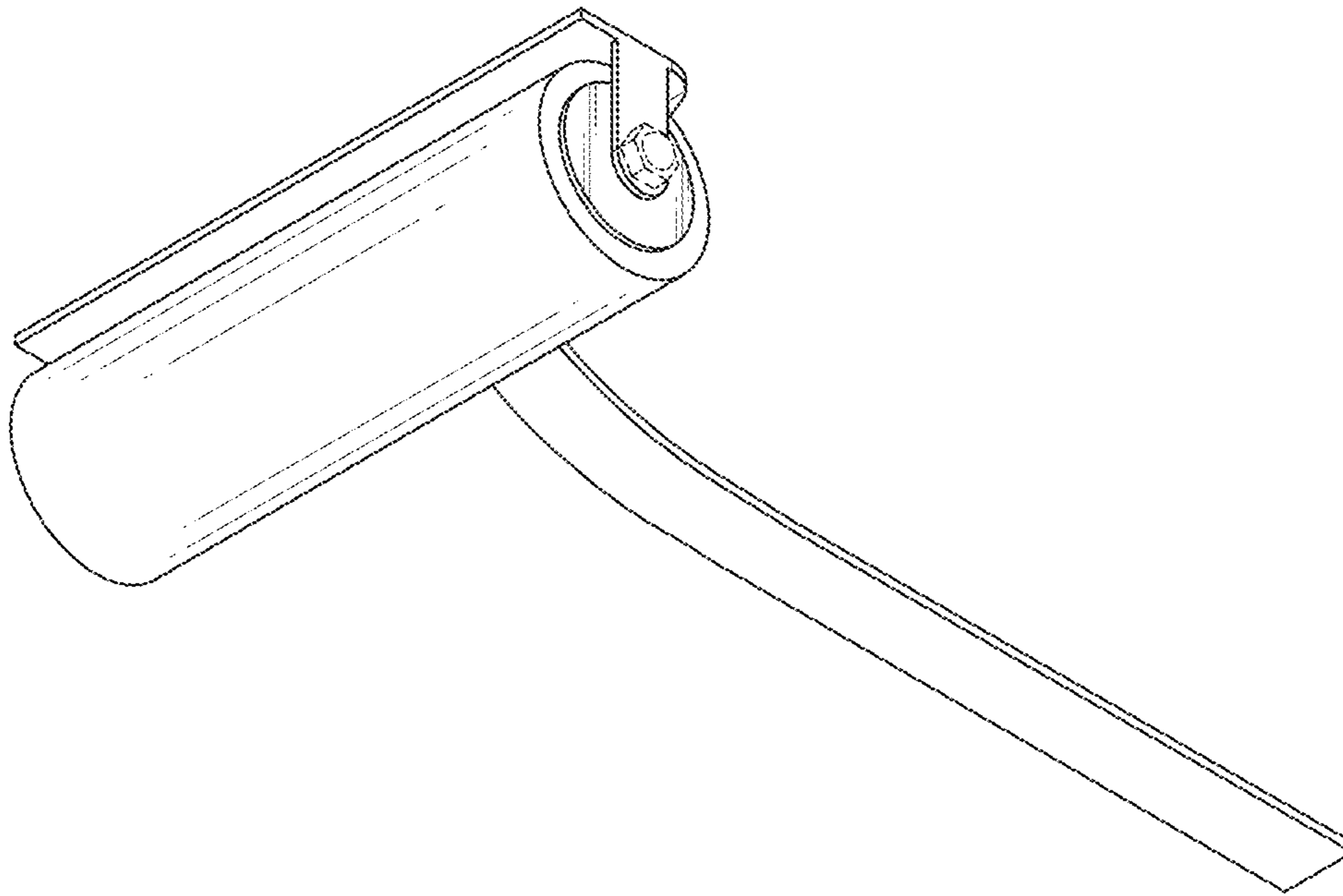


FIG. 2

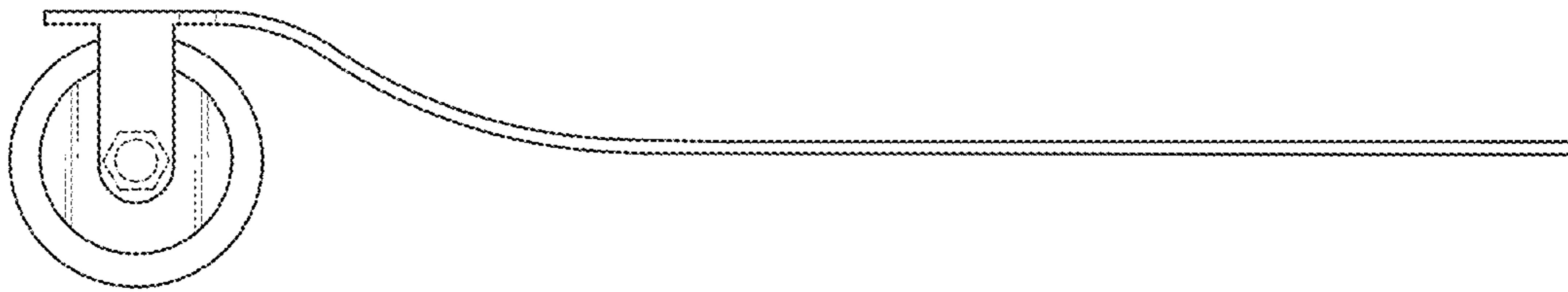


FIG. 3

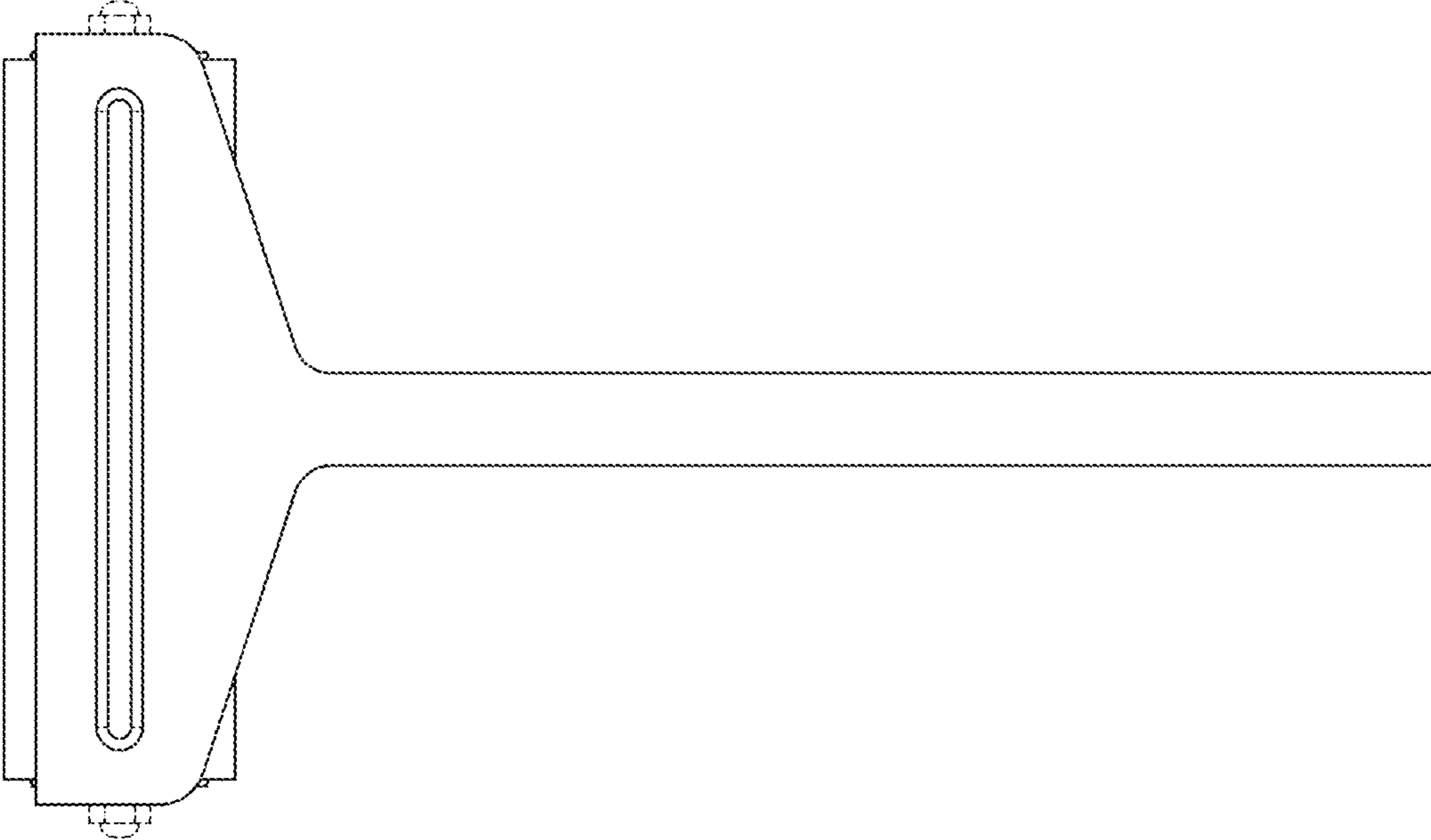


FIG. 4

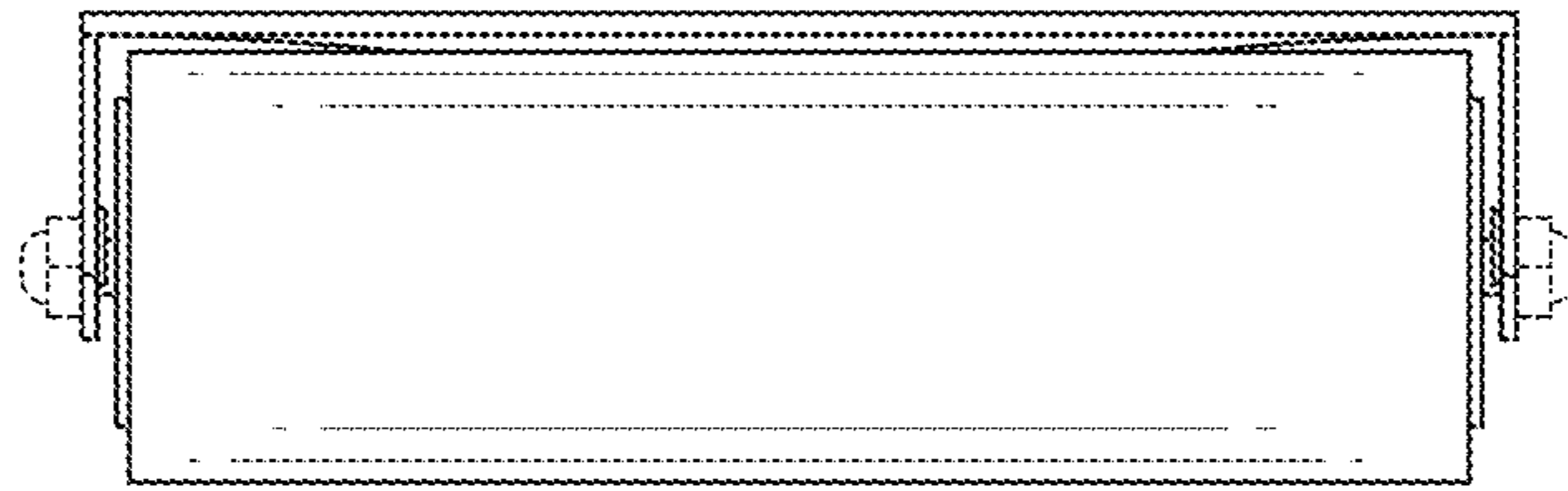


FIG. 5

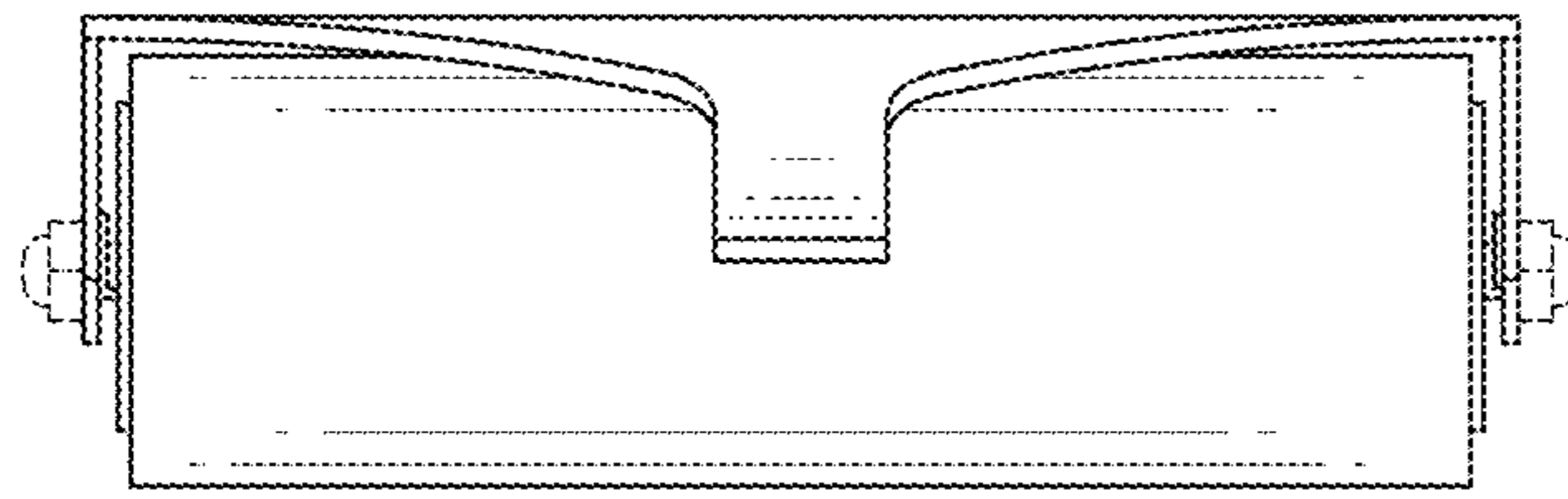


FIG. 6



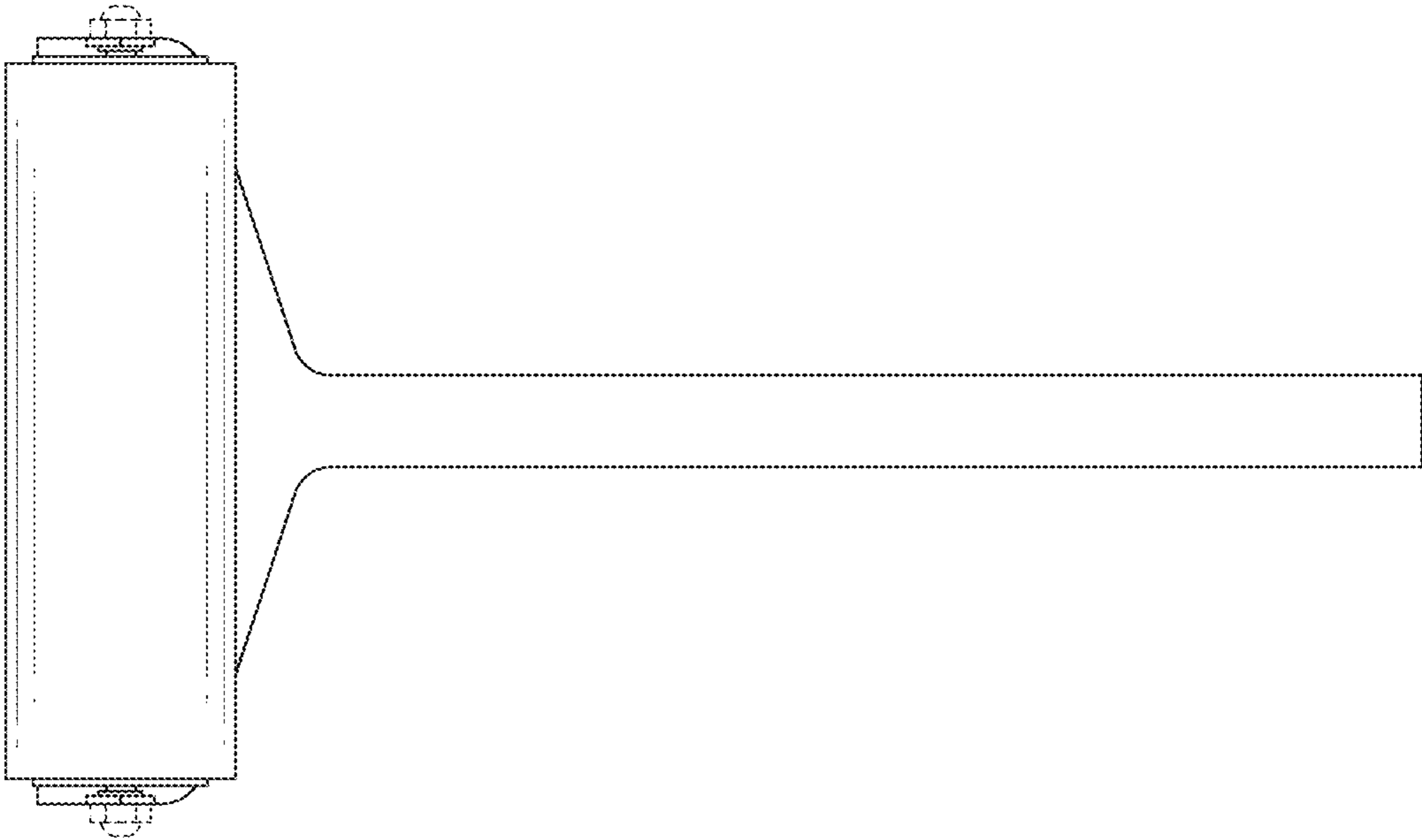


FIG. 7