



US00D928435S

(12) **United States Design Patent**
Knapp

(10) **Patent No.:** **US D928,435 S**

(45) **Date of Patent:** **** Aug. 17, 2021**

(54) **VACUUM CLEANER**

FOREIGN PATENT DOCUMENTS

(71) Applicant: **BISSELL Inc.**, Grand Rapids, MI (US)

CN 302726068 * 1/2014
CN 302974171 * 10/2014

(72) Inventor: **Mackenzie L. Knapp**, Saranac, MI (US)

(Continued)

(73) Assignee: **BISSELL Inc.**, Grand Rapids, MI (US)

OTHER PUBLICATIONS

(**) Term: **15 Years**

BISSELL PowerSwift Compact Corded Bagless Upright Vacuum #25982, available in Lowes.com, customer review oldest date Jul. 15, 2019 [online], [site visited Feb. 10, 2021], Available from the internet URL: <https://www.lowes.com/pd/BISSELL-PowerSwift-Compact-Bagless-Upright-Vacuum/1001275622> (Year: 2015).*

(21) Appl. No.: **29/704,508**

(Continued)

(22) Filed: **Sep. 5, 2019**

(51) **LOC (13) Cl.** **15-05**

(52) **U.S. Cl.**
USPC **D32/22**

(58) **Field of Classification Search**
USPC D32/17, 18, 21, 22, 23, 24, 31; D21/526
CPC A46B 9/06; A47L 5/24; A47L 5/28; A47L 5/30; A47L 5/34; A47L 7/0004; A47L 9/04; A47L 9/325; A47L 9/1683; A47L 11/302; A47L 11/34; A47L 11/4005; A47L 11/4008; A47L 11/4016; A47L 11/4041; A47L 11/4044; A47L 11/4088; A47L 13/225; B04C 5/185; B08B 3/04; B23Q 11/0046; B23Q 11/0071; E04H 4/1636

Primary Examiner — Dana K Weiland

Assistant Examiner — Jennylou M Binas

(74) *Attorney, Agent, or Firm* — Warner Norcross + Judd LLP

See application file for complete search history.

(57) **CLAIM**

The ornamental design for a vacuum cleaner, as shown and described.

(56) **References Cited**

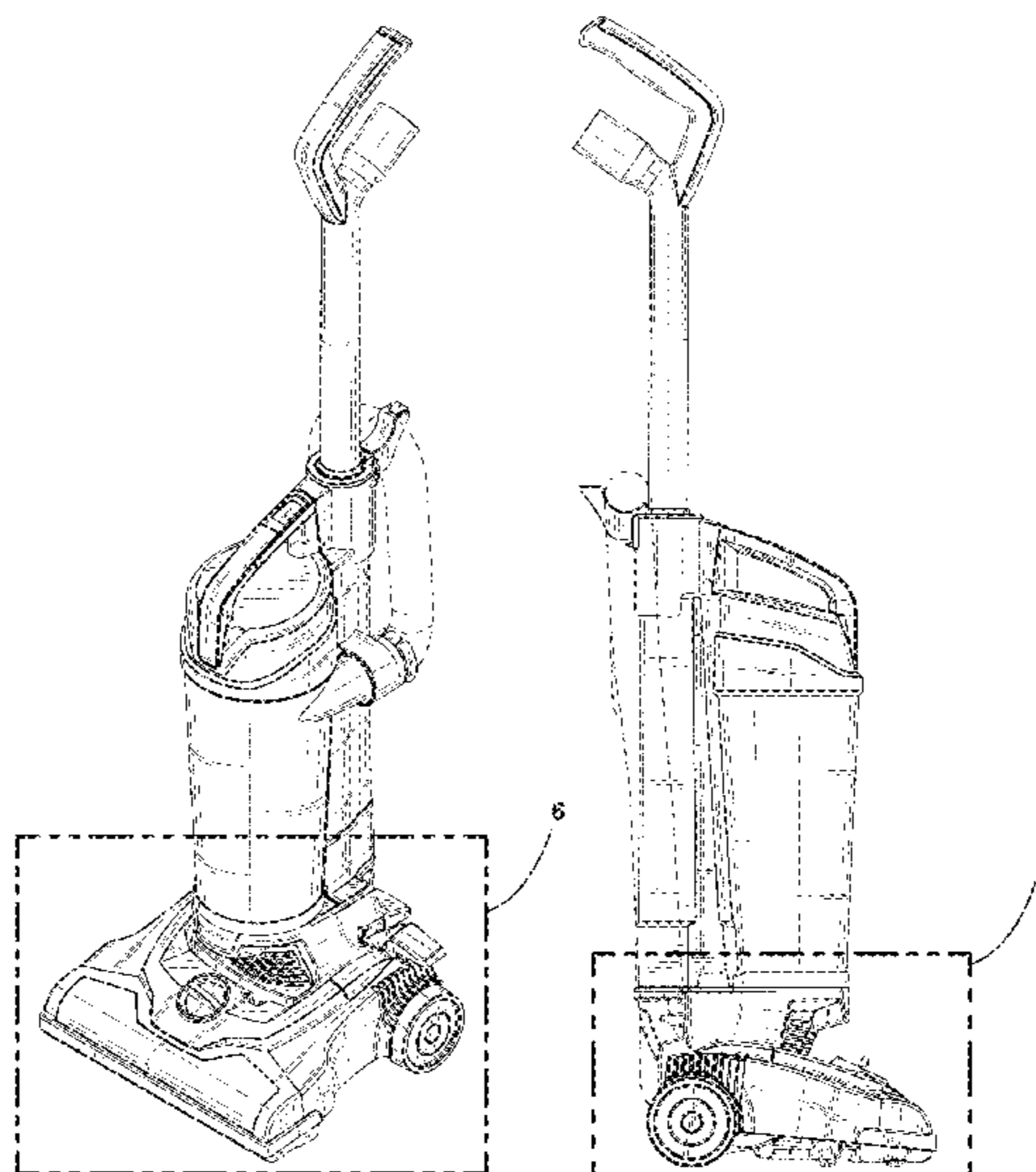
U.S. PATENT DOCUMENTS

D730,001 S * 5/2015 Yun D32/22
D759,919 S * 6/2016 Smith D32/31
D789,626 S * 6/2017 Bloemendaal D32/22
D821,047 S * 6/2018 Wrobleski D32/31
D824,615 S * 7/2018 Bloemendaal D32/22
D874,762 S * 2/2020 Tang D32/22
10,791,900 B2 * 10/2020 Tran A47L 9/0494

DESCRIPTION

FIG. 1 is a front perspective view of a vacuum cleaner showing my new design;
FIG. 2 is a front view thereof;
FIG. 3 is a left side view thereof;
FIG. 4 is a right side view thereof;
FIG. 5 is an enlarged top view of the vacuum cleaner;
FIG. 6 is an enlarged view of the portion of the vacuum cleaner shown within the area designed 6 in FIG. 1;
FIG. 7 is an enlarged view of the portion of the vacuum cleaner shown within the area designed 7 in FIG. 2;
FIG. 8 is an enlarged view of the portion of the vacuum cleaner shown within the area designed 8 in FIG. 3; and,
FIG. 9 is an enlarged view of the portion of the vacuum cleaner shown within the area designed 9 in FIG. 4.
The details of the vacuum cleaner shown in broken lines form no part of the claimed design.

1 Claim, 9 Drawing Sheets



(56)

References Cited

U.S. PATENT DOCUMENTS

10,827,888 B2 * 11/2020 Morrow A47L 9/04
 D910,945 S * 2/2021 Miller D32/31
 D917,810 S * 4/2021 Knapp D32/22
 10,966,586 B2 * 4/2021 Luyckx A47L 11/4083
 10,986,968 B2 * 4/2021 Kasper A47L 9/16
 11,019,966 B2 * 6/2021 Ashbaugh A47L 11/34
 2013/0117961 A1 * 5/2013 Doerfler A47L 5/28
 15/323
 2014/0013537 A1 * 1/2014 Kasper A47L 9/24
 15/353
 2015/0059123 A1 * 3/2015 Kasper A47L 9/0633
 15/383
 2015/0074939 A1 * 3/2015 Cipolla A47L 5/30
 15/354
 2015/0143659 A1 * 5/2015 Pilch A47L 9/325
 15/347
 2016/0037987 A1 * 2/2016 Caro A47L 9/04
 15/334
 2016/0270610 A1 * 9/2016 Kasper A47L 9/0411
 2016/0367093 A1 * 12/2016 VanTongeren A47L 5/30
 2017/0119225 A1 * 5/2017 Xia A47L 5/28
 2017/0135540 A1 * 5/2017 Newsom A47L 9/04
 2018/0177368 A1 * 6/2018 Acker A47L 9/165
 2019/0059673 A1 * 2/2019 Tran A47L 9/0494
 2020/0046189 A1 * 2/2020 Casella A47L 9/1616
 2021/0045606 A1 * 2/2021 Xia A47L 11/18
 2021/0052118 A1 * 2/2021 Morrow A47L 9/04

2021/0093143 A1 * 4/2021 Nguyen A47L 11/22
 2021/0137332 A1 * 5/2021 Kasper A47L 9/0633
 2021/0153708 A1 * 5/2021 Xia A47L 11/4008

FOREIGN PATENT DOCUMENTS

CN 303479948 * 12/2015
 CN 303579405 * 2/2016
 CN 303806074 * 8/2016

OTHER PUBLICATIONS

Eureka NEU182B, available in Amazon.com, customer review oldest date Feb. 4, 2020 [online], [site visited Jan. 12, 2021], Available from the internet URL: https://www.amazon.com/Eureka-PowerSpeed-Bagless-Upright-Cleaner/dp/B083C2DTKX/ref=cm_cr_ar_p_d_product_top?ie=UTF8&th=1 (Year: 2020).*

Hoover WindTunnel Upright Vacuum, available in Amazon.com, customer review oldest date May 5, 2019 [online], [site visited Jan. 12, 2021], URL: https://www.amazon.com/Hoover-WindTunnel-Performance-Powerful-UH72625/dp/B07MFM81_RX/ref=cm_cr_ar_p_d_product_top?ie=UTF8 (Year: 2019).*

BISSELL PowerSwift Compact Corded Bagless Upright Vacuum #18082, available in Lowes.com, customer review oldest date Aug. 26, 2016 [online], [site visited Feb. 10, 2021], Available from the internet URL: <https://www.lowes.com/pd/BISSELL-Powerswift-Compact-Bagless-Upright-Vacuum/1000066167> (Year: 2016).*

* cited by examiner

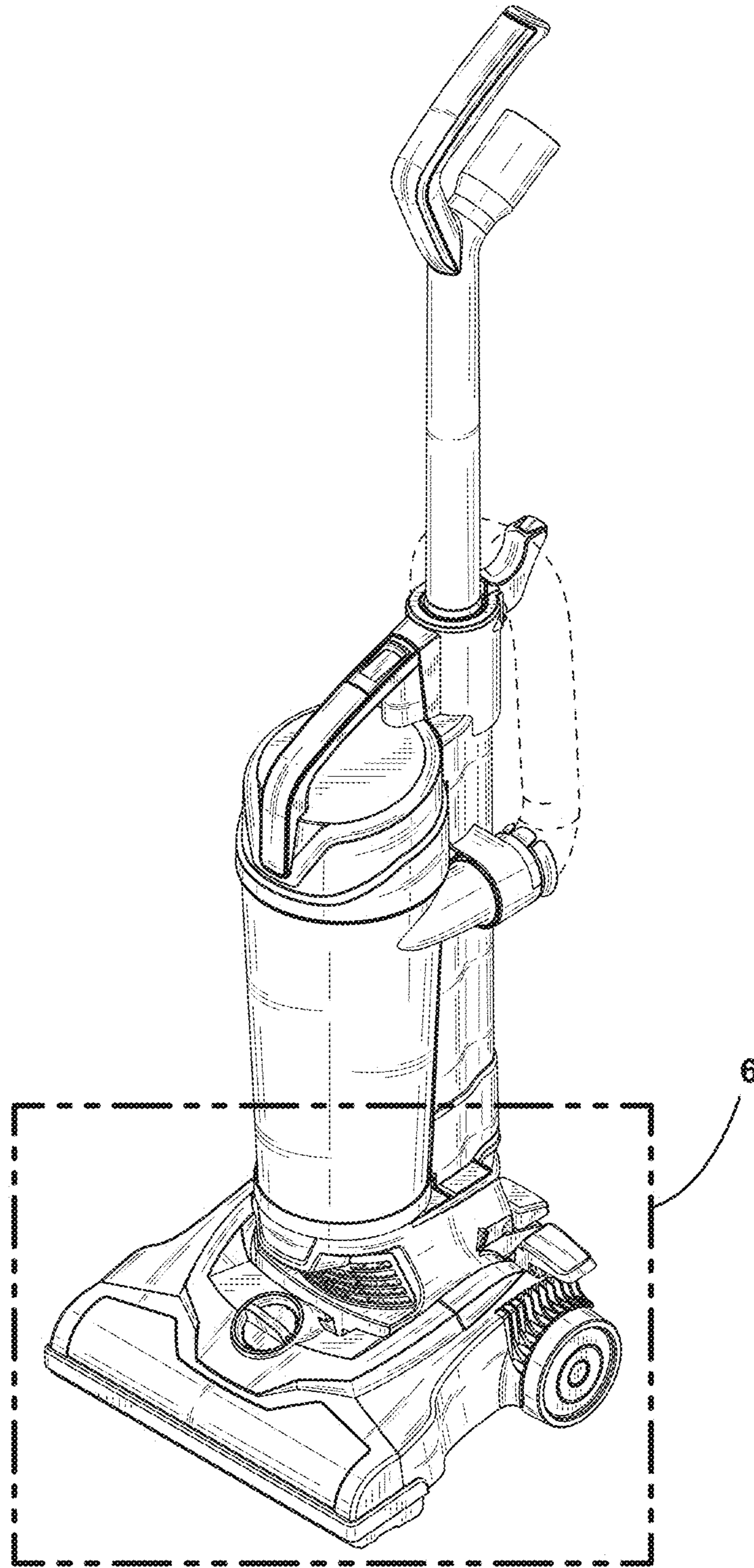


FIG. 1

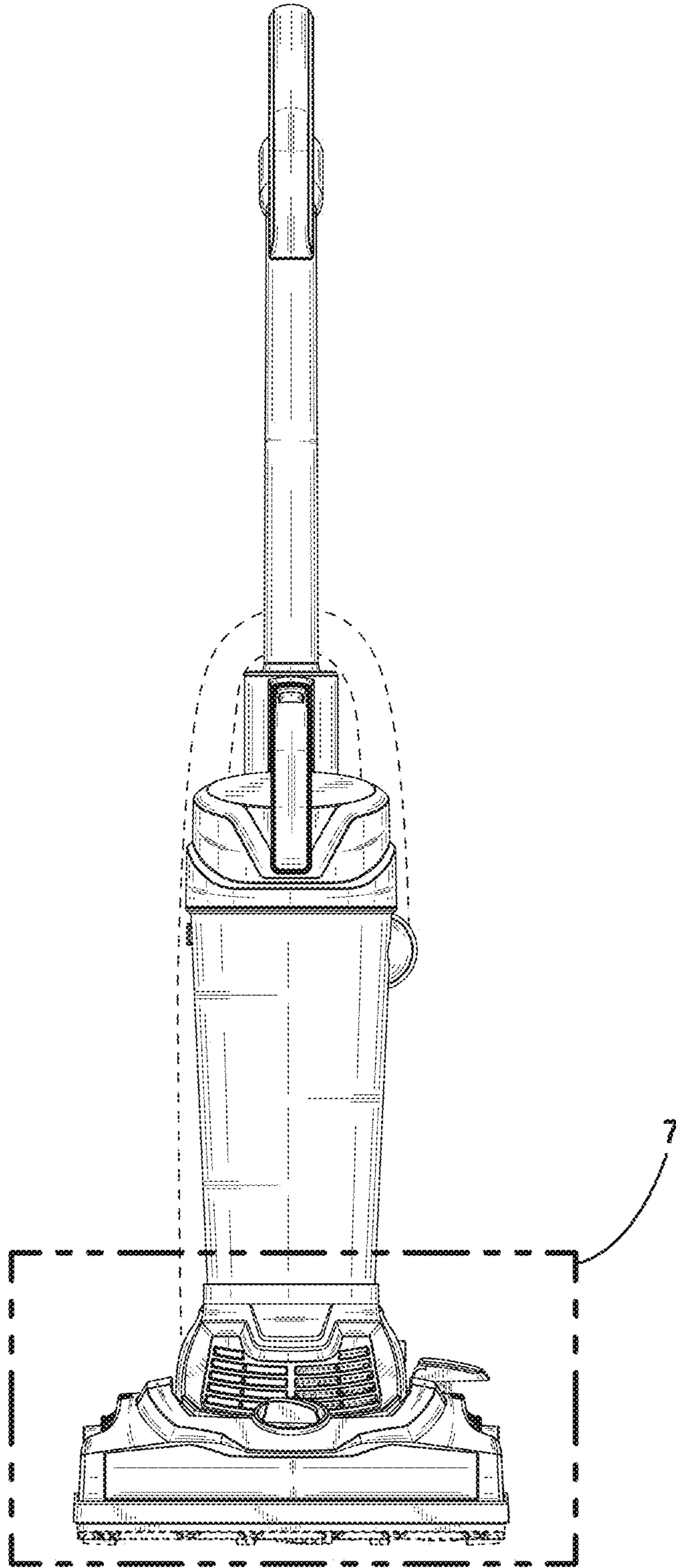


FIG. 2

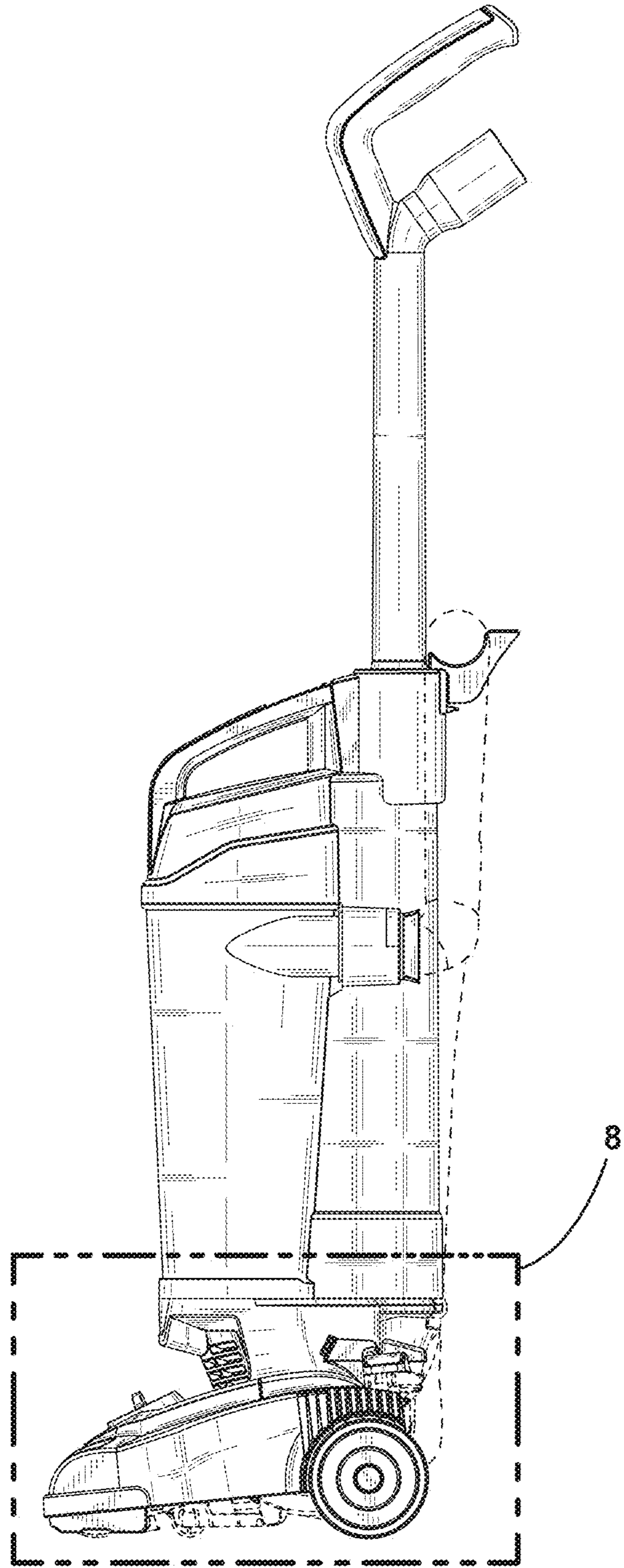


FIG. 3

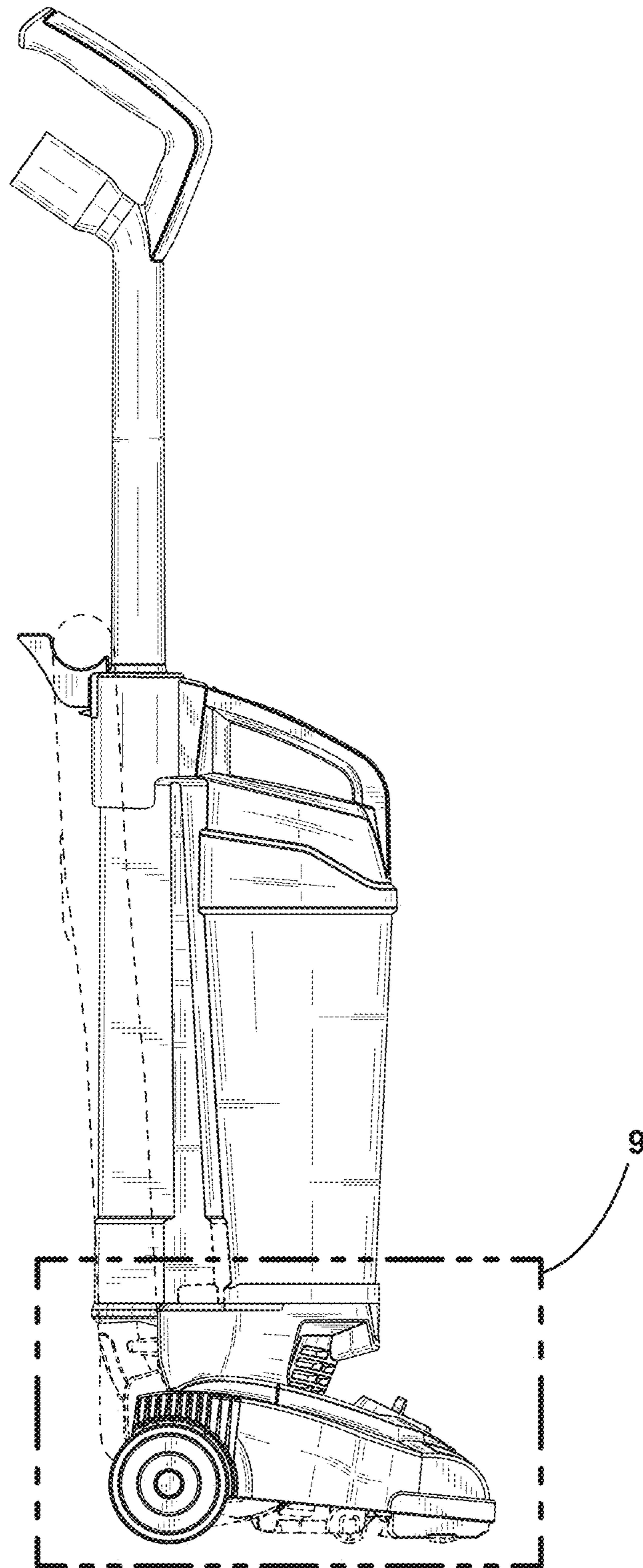


FIG. 4

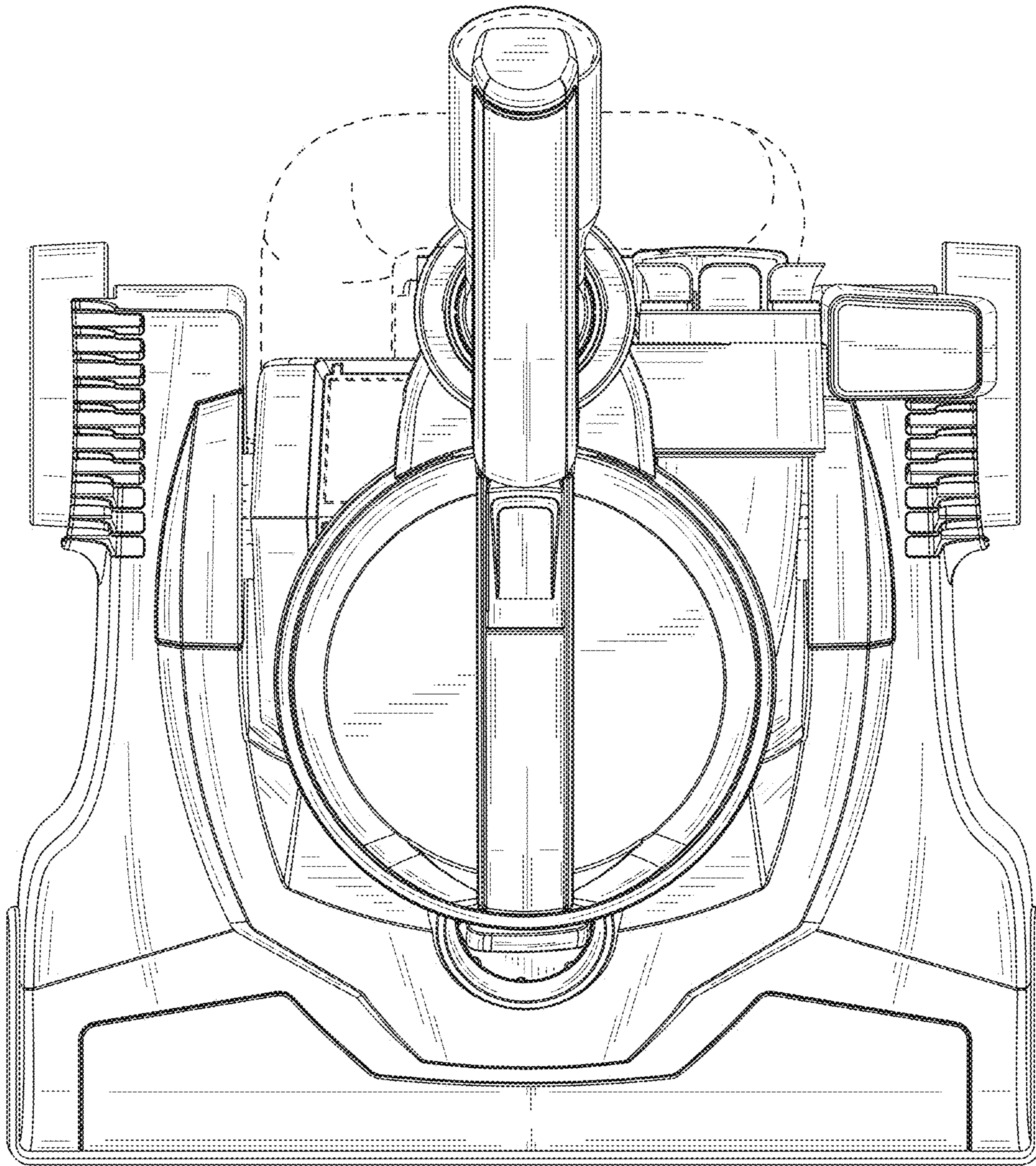


FIG. 5

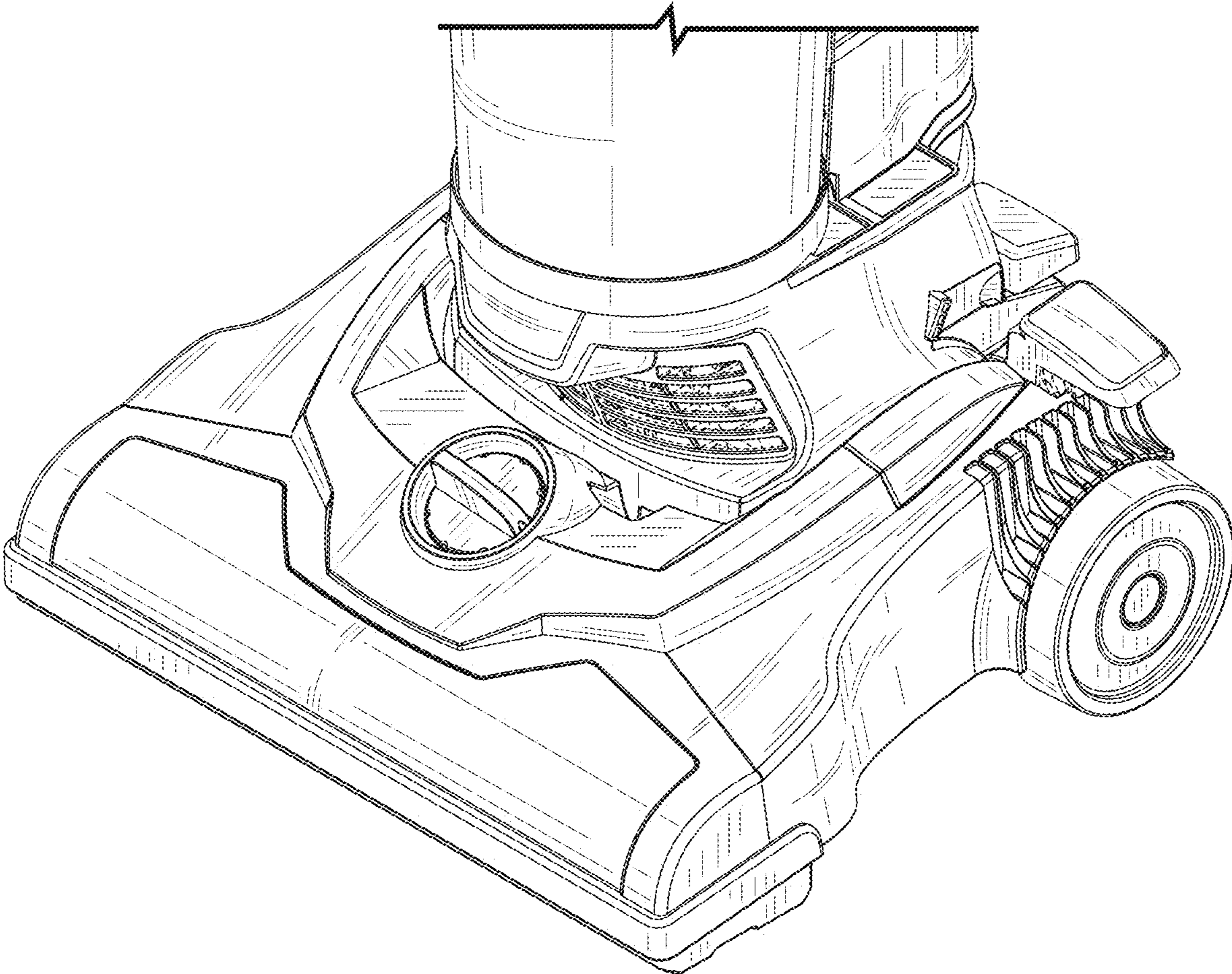


FIG. 6

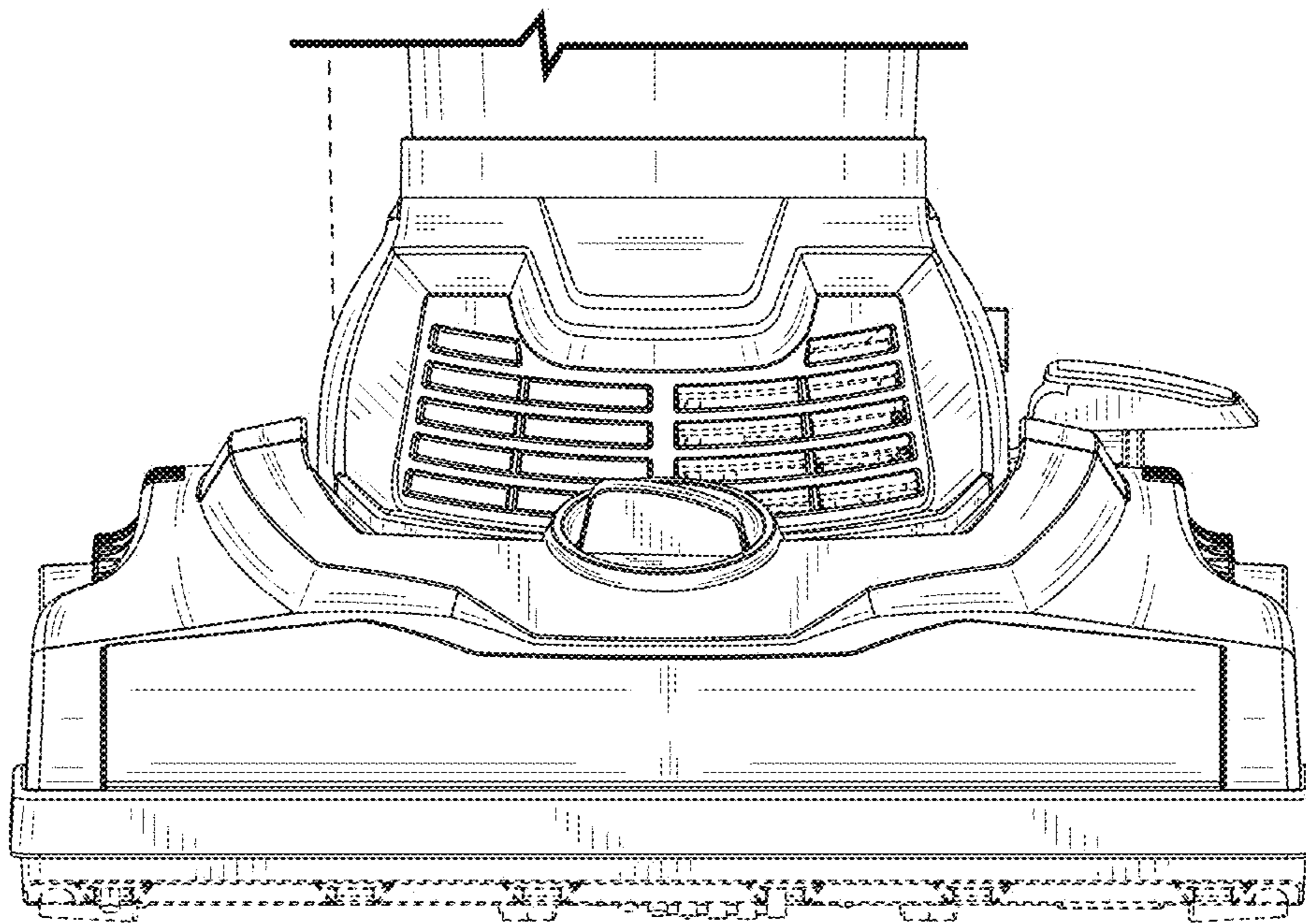


FIG. 7

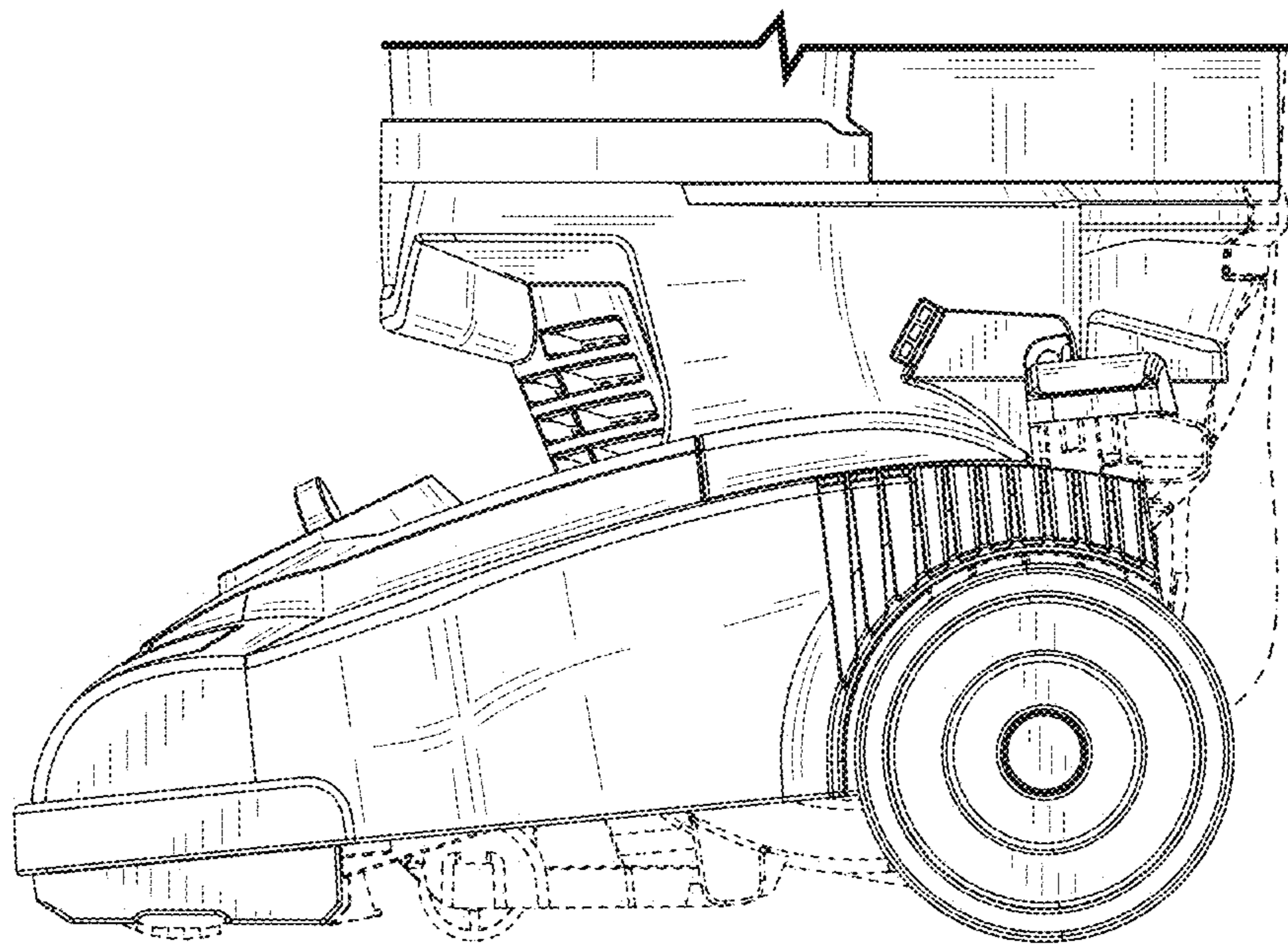


FIG. 8

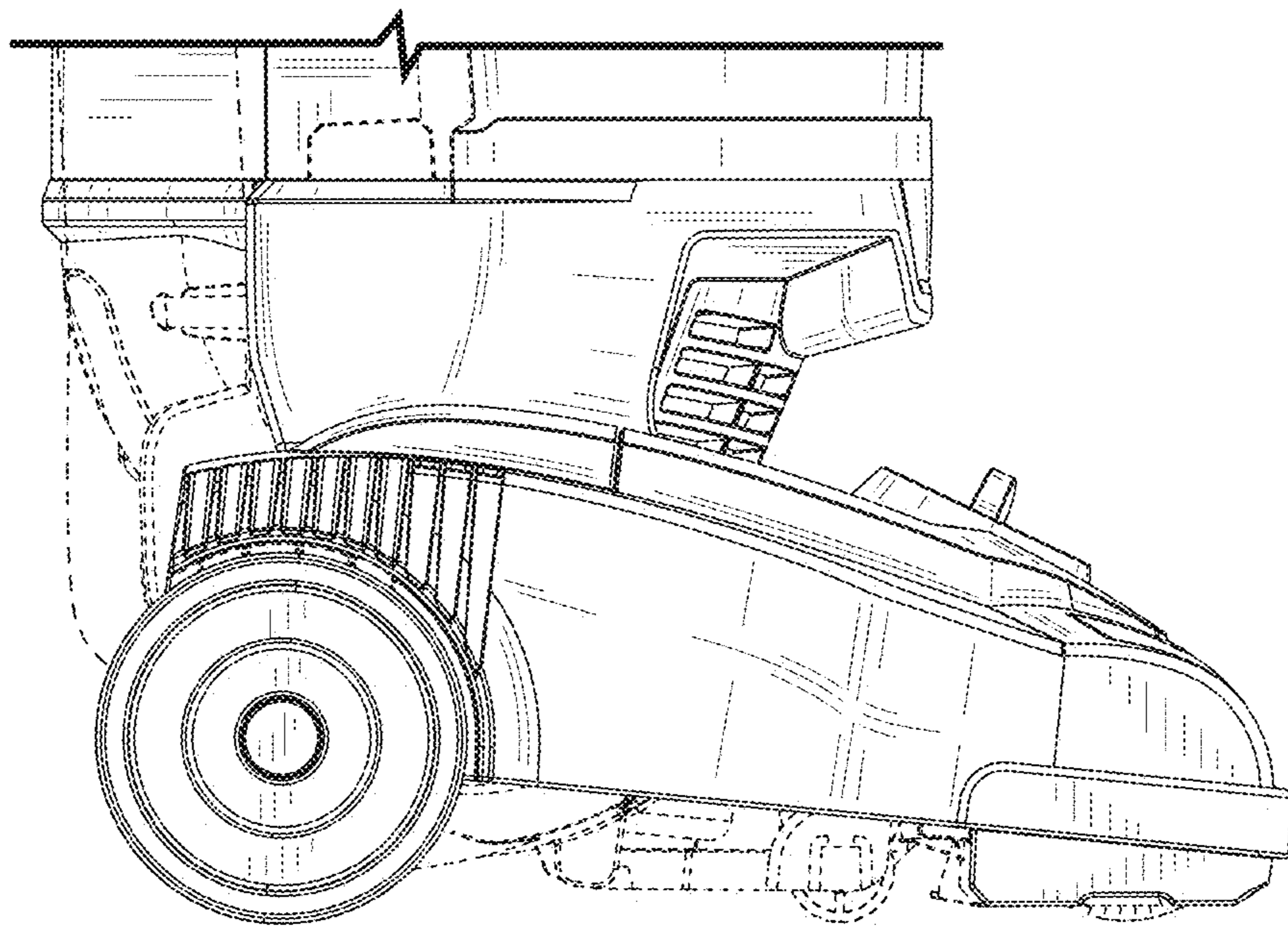


FIG. 9