



US00D928434S

(12) **United States Design Patent**  
**Gray et al.**

(10) **Patent No.:** **US D928,434 S**

(45) **Date of Patent:** **\*\* Aug. 17, 2021**

(54) **STICK VACUUM CLEANER**

FOREIGN PATENT DOCUMENTS

(71) Applicant: **Aktiebolaget Electrolux**, Stockholm (SE)

CN 305286729 \* 8/2019  
CN 305626277 \* 2/2020

(Continued)

(72) Inventors: **Anna-Karin Gray**, Stockholm (SE);  
**Christian Ågren**, Stockholm (SE);  
**Emma Rydahl**, Stockholm (SE)

OTHER PUBLICATIONS

(73) Assignee: **Aktiebolaget Electrolux**

Electrolux PureQ9, announced in YouTube on Sep. 13, 2019 [online][site visited Oct. 30, 2020], Available from the internet URL: <https://www.youtube.com/watch?v=-kHOvem90sQ> (Year: 2019).\*

(\*\*) Term: **15 Years**

(Continued)

(21) Appl. No.: **29/686,932**

(22) Filed: **Apr. 9, 2019**

*Primary Examiner* — Dana K Weiland

(51) **LOC (13) Cl.** ..... **15-05**

*Assistant Examiner* — Jennylou M Binas

(52) **U.S. Cl.**

(74) *Attorney, Agent, or Firm* — RatnerPrestia

USPC ..... **D32/22**

(58) **Field of Classification Search**

USPC ..... D32/15, 17, 18, 21, 23, 24, 31; D21/526  
CPC ... A47L 5/24; A47L 5/225; A47L 5/28; A47L 5/30; A47L 5/34; A47L 5/362; A47L 5/365; A47L 9/0411; A47L 9/1409; A47L 9/1481; A47L 9/16; A47L 9/1608; A47L 9/1675; A47L 9/1683; A47L 9/1691; A47L 9/2852; A47L 9/32; A47L 9/322; A47L 9/325; A47L 11/20; A47L 11/24; A47L 11/26; A47L 11/28; A47L 11/30; A47L 11/302; A47L 11/34; A47L 11/4011; A47L 11/4036; A47L 11/4044; A47L 11/4052; A47L 11/4083; A47L 13/225; A47L 2201/00; A47L 2201/022; A14L 7/0004; A14L 7/0095; B23Q 11/0046; B23Q 11/0071; B25D 16/00; B04C 1/00; B04C 5/185; D01H 11/005; D01H 5/645; F26B 11/12

See application file for complete search history.

(57) **CLAIM**

The ornamental design for a stick vacuum cleaner, as shown and described.

**DESCRIPTION**

FIG. 1 is a perspective view of a stick vacuum cleaner showing our new design;  
FIG. 2 is a front elevation view thereof;  
FIG. 3 is a right side elevation view thereof;  
FIG. 4 is a left side elevation view thereof;  
FIG. 5 is a rear elevation view thereof;  
FIG. 6 is a top plan view thereof; and,  
FIG. 7 is a bottom plan view thereof.  
The dashed broken lines in the drawings are for the purpose of illustrating unclaimed portions of the stick vacuum cleaner and form no part of the claimed design, and the long dash-short dash-long dash broken lines illustrate the boundary of the claimed design and form no part thereof.

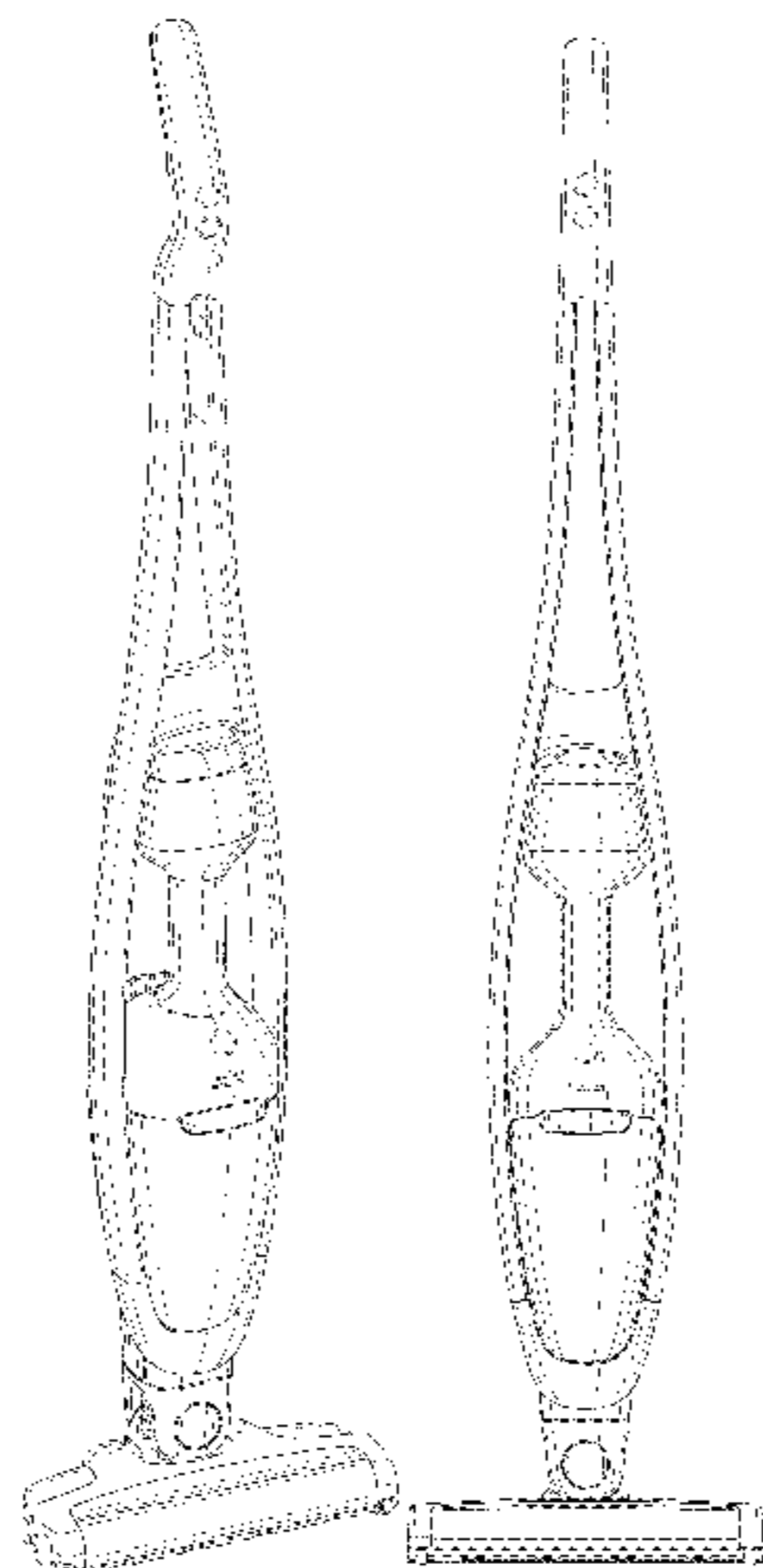
(56) **References Cited**

U.S. PATENT DOCUMENTS

D456,964 S \* 5/2002 Alford ..... D32/22  
D488,894 S \* 4/2004 Leyden ..... D32/22

(Continued)

**1 Claim, 6 Drawing Sheets**



(56)

References Cited

U.S. PATENT DOCUMENTS

D545,011 S \* 6/2007 Ågren ..... D32/22  
 D565,814 S \* 4/2008 Ågren ..... D32/22  
 D565,816 S \* 4/2008 Agren ..... D32/22  
 7,979,952 B2 \* 7/2011 Beskow ..... A47L 9/04  
 15/322  
 D647,262 S \* 10/2011 Luyckx ..... D32/22  
 D683,089 S \* 5/2013 Paterson ..... D32/22  
 D876,736 S \* 2/2020 Ninomiya ..... D32/22  
 2006/0185117 A1 \* 8/2006 Seo ..... A47L 7/04  
 15/339  
 2007/0289085 A1 \* 12/2007 Yoo ..... A47L 5/32  
 15/334  
 2013/0111695 A1 \* 5/2013 Morgan ..... A47L 9/2857  
 15/323  
 2013/0111698 A1 \* 5/2013 Morgan ..... A47L 9/0483  
 15/363  
 2014/0196248 A1 \* 7/2014 Morgan ..... A47L 9/1683  
 15/353  
 2015/0289733 A1 \* 10/2015 Rowntree ..... A47L 5/28  
 15/329

FOREIGN PATENT DOCUMENTS

JP D1654822 \* 3/2020  
 JP D1654889 \* 3/2020  
 KR 301040639 \* 1/2020  
 KR 3010471220004 \* 2/2020

OTHER PUBLICATIONS

Oreck Magnesium RS, available in Oreck.com, announced 2020 [online], [site visited Oct. 30, 2020], Available from the internet URL: [https://www.oreck.com/magnesium-rs/LW1500RS.html?gclid=Cj0KCQjwjit\\_8BRCoARIsA1x3Rj4axm74Okewt-mQokiPfcnedRGZXE0UuS-9CZwG724rOV-hq5XwceQaAhRBEALw\\_wcB](https://www.oreck.com/magnesium-rs/LW1500RS.html?gclid=Cj0KCQjwjit_8BRCoARIsA1x3Rj4axm74Okewt-mQokiPfcnedRGZXE0UuS-9CZwG724rOV-hq5XwceQaAhRBEALw_wcB) (Year: 2020).\*

QX9 Cordless Vacuum Cleraner, available in aeg.co.uk, customer review oldest date Apr. 12, 2020 [online], [site visited Nov. 2, 2020], Available from the internet URL: <https://www.aeg.co.uk/vacuums-home-comfort/vacuum-cleaners/cordless-vacuum-cleaners/cordless-sticks/qx9-1-anim/> (Year: 2020).\*

Electrolux Ergorapido Brishroll, available in pixelsquid.com Year 2020 [online], [site visited Oct. 30, 2020], Available from the internet URL: <https://www.groupon.com/deals/gg-electrolux-ergorapido-brushroll-clean-2-in-1-vacuum-cleaner> (Year: 2020).\*

\* cited by examiner

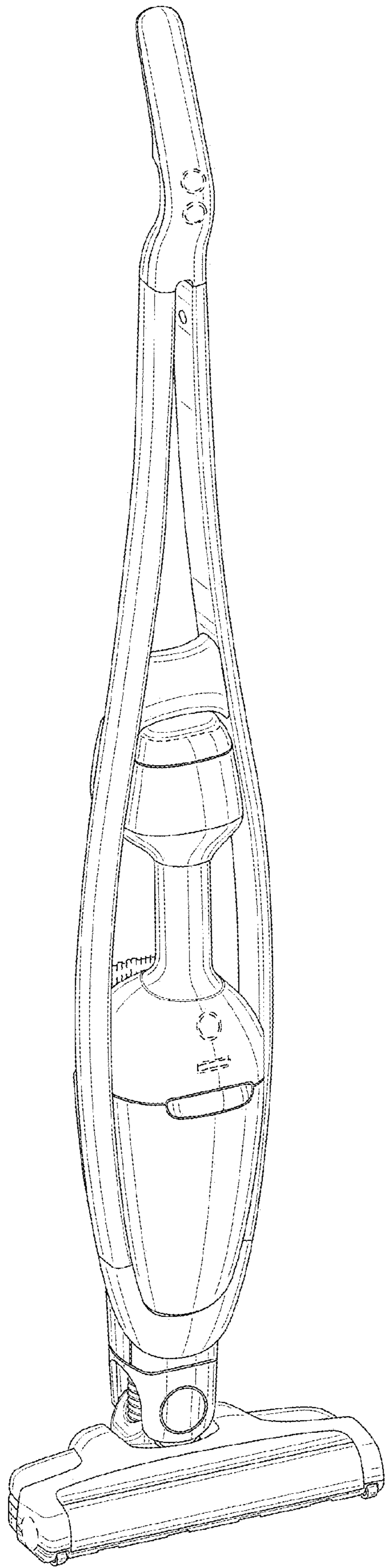


FIG. 1

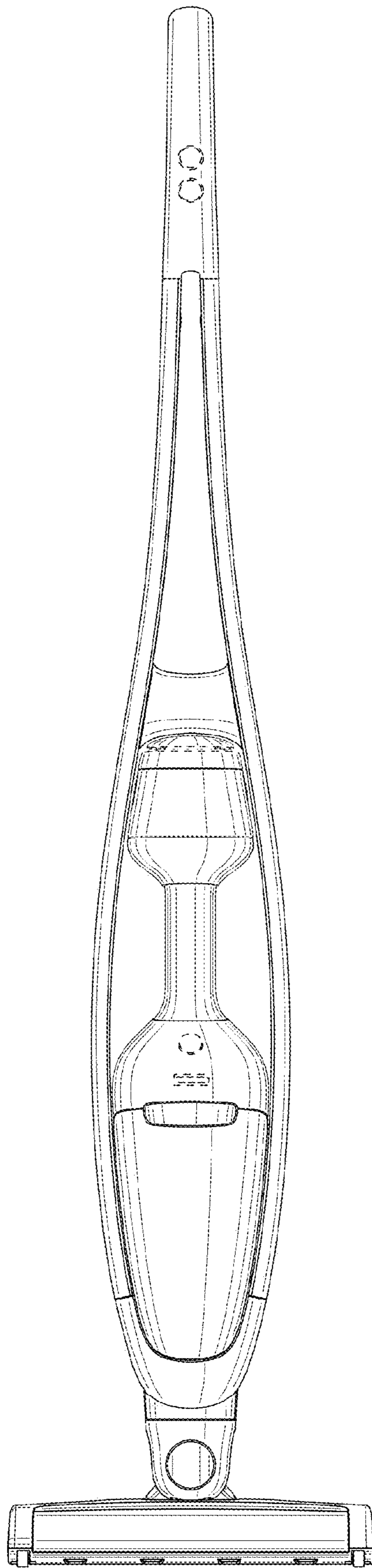


FIG. 2

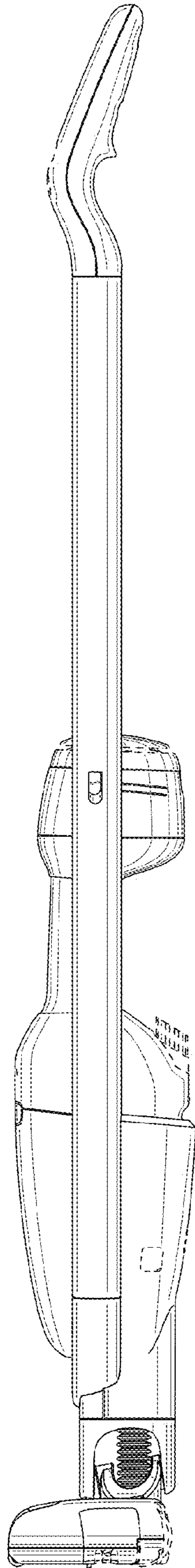


FIG. 3

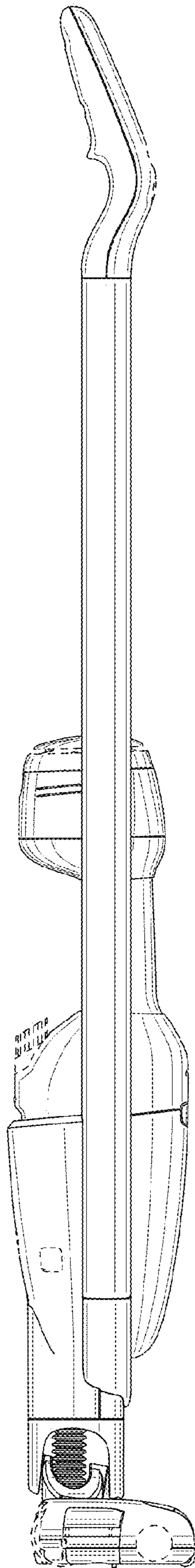


FIG. 4

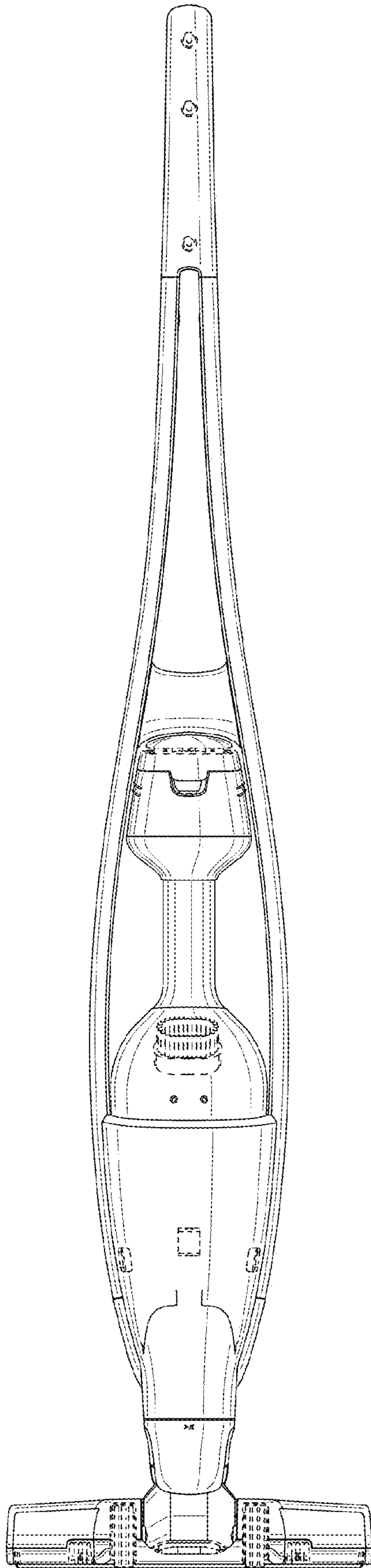


FIG. 5

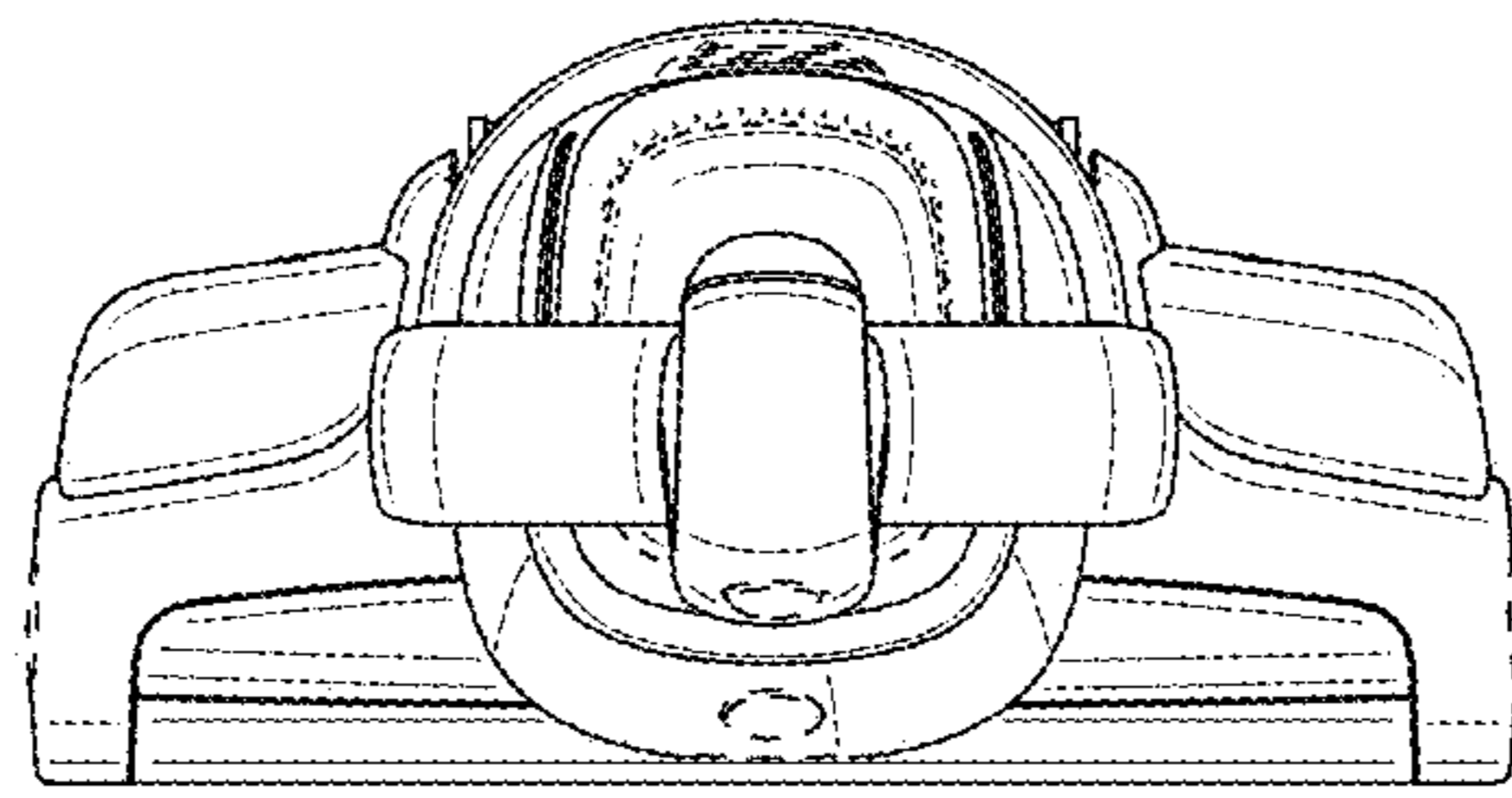


FIG. 6

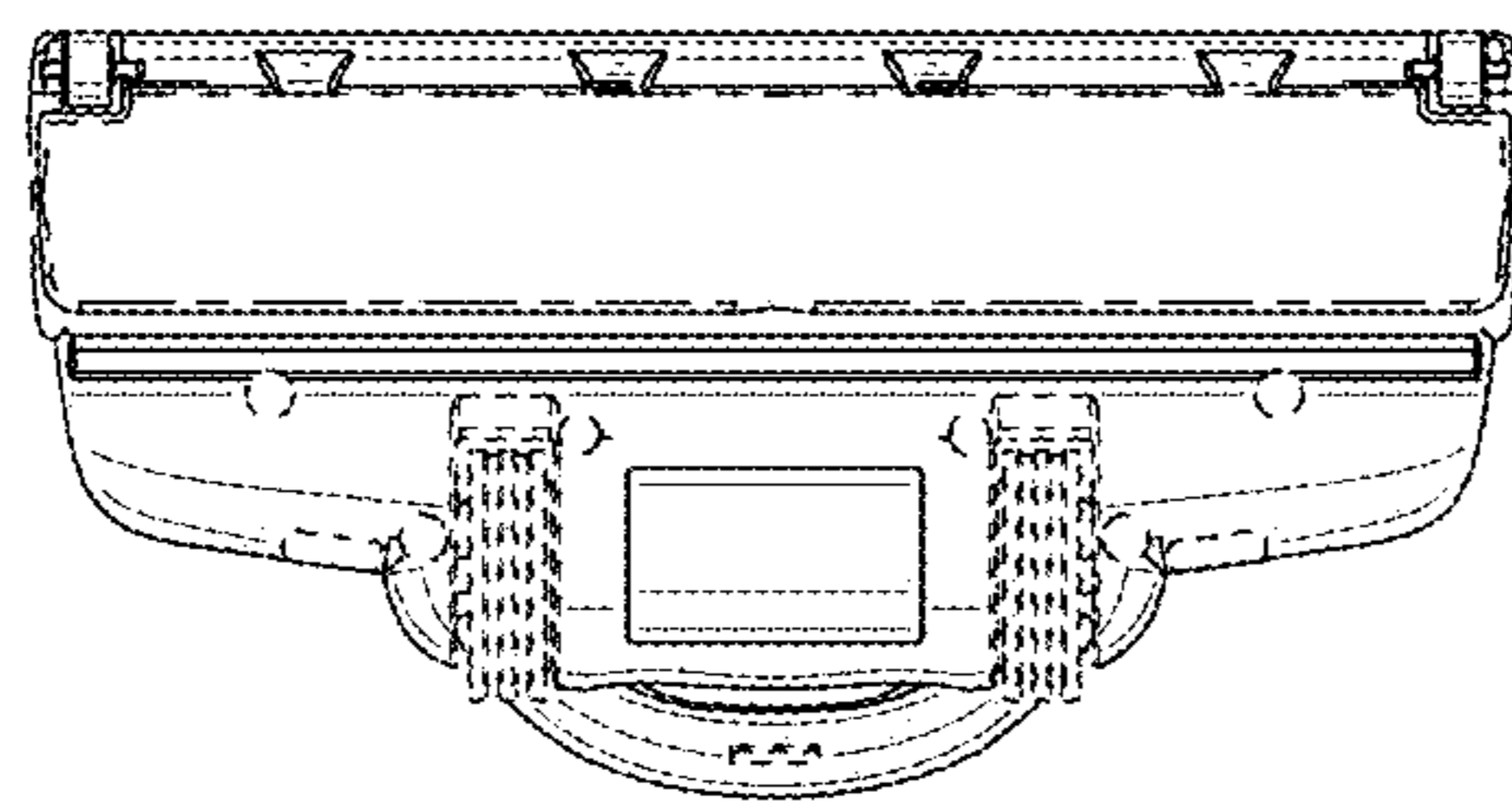


FIG. 7