



US00D928432S

(12) **United States Design Patent**
Knapp et al.

(10) **Patent No.:** **US D928,432 S**

(45) **Date of Patent:** **** Aug. 17, 2021**

(54) **VACUUM CLEANER**

(71) Applicant: **BISSELL Inc.**, Grand Rapids, MI (US)

(72) Inventors: **Mackenzie L. Knapp**, Saranac, MI (US); **Derek E. Smith**, Grand Rapids, MI (US)

(73) Assignee: **BISSELL Inc.**, Grand Rapids, MI (US)

(**) Term: **15 Years**

(21) Appl. No.: **29/683,972**

(22) Filed: **Mar. 18, 2019**

(51) **LOC (13) Cl.** **15-05**

(52) **U.S. Cl.**
USPC **D32/22**

(58) **Field of Classification Search**
USPC D32/17, 18, 21, 22, 23, 24, 31; D21/526
CPC A46B 9/06; A47L 5/24; A47L 5/28; A47L 5/30; A47L 5/34; A47L 7/0004; A47L 9/04; A47L 9/325; A47L 9/1683; A47L 11/302; A47L 11/34; A47L 11/4005; A47L 11/4008; A47L 11/4016; A47L 11/4041; A47L 11/4044; A47L 11/4088; A47L 13/225; B04C 5/185; B08B 3/04; B23Q 11/0046; B23Q 11/0071; E04H 4/1636

See application file for complete search history.

(56) **References Cited**

U.S. PATENT DOCUMENTS

D722,410	S	*	2/2015	Raven	D32/31
D730,604	S	*	5/2015	Luedke	D32/31
D759,919	S	*	6/2016	Smith	D32/31
D789,626	S	*	6/2017	Bloemendaal	D32/22
D821,047	S	*	6/2018	Wrobleski	D32/31
D824,615	S	*	7/2018	Bloemendaal	D32/22
10,791,900	B2	*	10/2020	Tran	A47L 9/122
10,820,769	B2	*	11/2020	Xia	A47L 11/4041
10,827,888	B2	*	11/2020	Morrow	A47L 9/04

D910,945	S	*	2/2021	Miller	D32/31
10,966,586	B2	*	4/2021	Luyckx	A47L 11/4083
10,986,968	B2	*	4/2021	Kasper	A47L 9/16

(Continued)

FOREIGN PATENT DOCUMENTS

CN	302726068	*	1/2014
CN	302974171	*	10/2014

(Continued)

OTHER PUBLICATIONS

Bissell 2259 2252 Vacuum Repair, announced in YouTube on Dec. 14, 2019 [online], [site visited Jan. 12, 2021], Available from the internet URL: <https://www.youtube.com/watch?v=H9QG2BWysXw> (Year: 2019).*

(Continued)

Primary Examiner — Dana K Weiland
Assistant Examiner — Jennylou M Binas
(74) *Attorney, Agent, or Firm* — Warner Norcross + Judd LLP

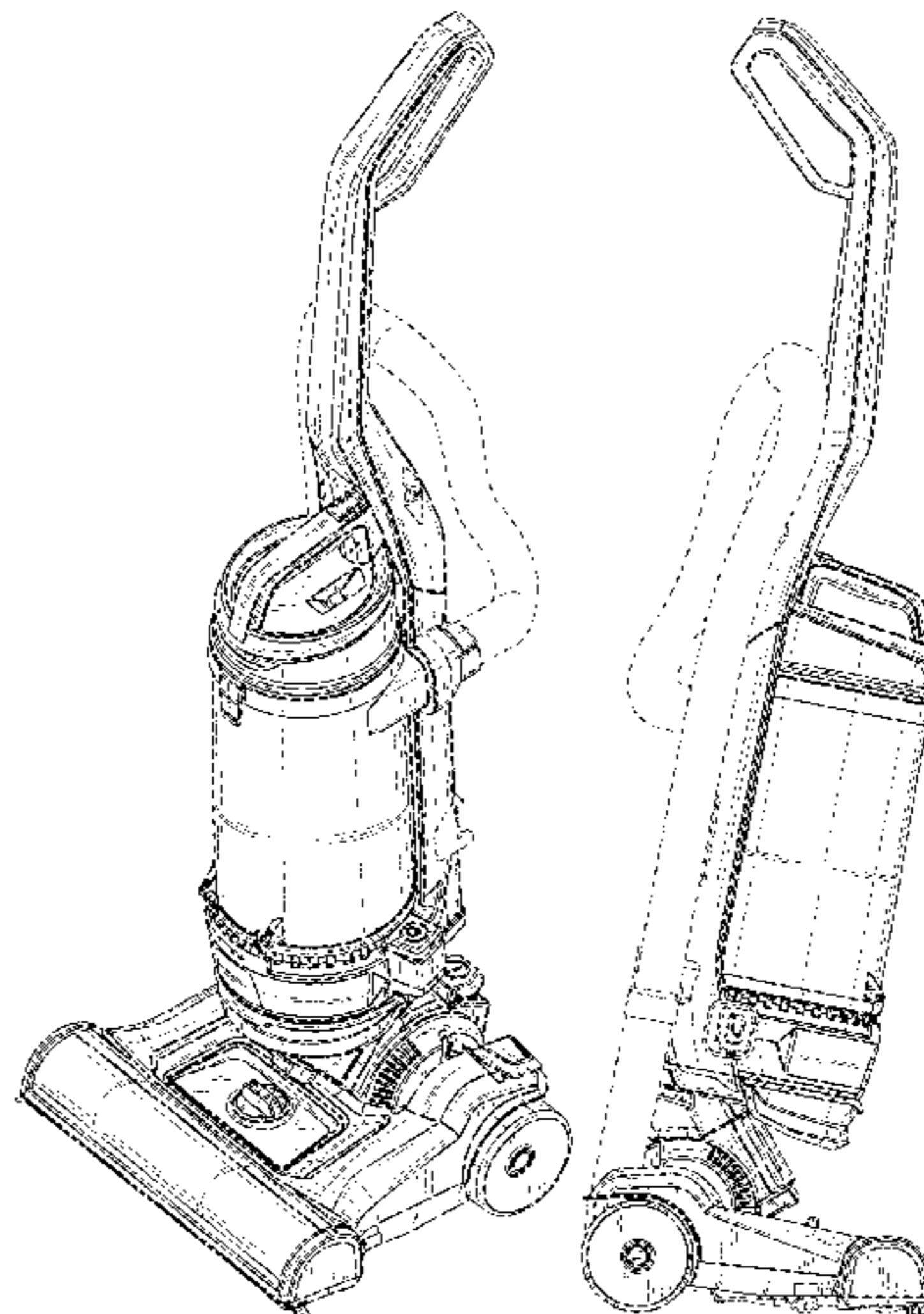
(57) **CLAIM**

The ornamental design for a vacuum cleaner, as shown and described.

DESCRIPTION

FIG. 1 is a front perspective view of a vacuum cleaner showing our new design;
FIG. 2 is a front view thereof;
FIG. 3 is a left side view thereof;
FIG. 4 is a right side view thereof;
FIG. 5 is an enlarged top view of the vacuum cleaner;
FIG. 6 is an enlarged front perspective view of a lower portion of the vacuum cleaner shown in FIG. 1; and,
FIG. 7 is an enlarged front view of a lower portion of the vacuum cleaner shown in FIG. 2.
The details of the vacuum cleaner shown in broken lines form no part of the claimed design.

1 Claim, 7 Drawing Sheets



(56)

References Cited

U.S. PATENT DOCUMENTS

11,019,966	B2 *	6/2021	Ashbaugh	A47L 11/34
2014/0013537	A1 *	1/2014	Kasper	A47L 9/1683
					15/353
2014/0196247	A1 *	7/2014	Kasper	A47L 5/30
					15/347
2015/0059123	A1 *	3/2015	Kasper	A47L 9/0633
					15/383
2015/0074939	A1 *	3/2015	Cipolla	A47L 5/30
					15/354
2016/0037987	A1 *	2/2016	Caro	A47L 9/04
					15/334
2016/0270610	A1 *	9/2016	Kasper	A47L 9/0411
2016/0367093	A1 *	12/2016	VanTongeren	A47L 5/30
2017/0119225	A1 *	5/2017	Xia	A47L 7/0014
2017/0215665	A1 *	8/2017	VanTongeren	A47L 9/0488
2018/0110388	A1 *	4/2018	Xia	A46B 13/001
2018/0177368	A1 *	6/2018	Acker	A47L 9/165
2019/0059673	A1 *	2/2019	Tran	A47L 9/26
2019/0159646	A1 *	5/2019	Luyckx	A47L 11/4088
2019/0365182	A1 *	12/2019	Manning	A47L 11/4036
2020/0253441	A1 *	8/2020	Acker	A47L 9/165
2021/0045606	A1 *	2/2021	Xia	A47L 11/18
2021/0052118	A1 *	2/2021	Morrow	A47L 9/04
2021/0093143	A1 *	4/2021	Nguyen	A47L 11/22
2021/0137332	A1 *	5/2021	Kasper	A47L 9/0633
2021/0153708	A1 *	5/2021	Xia	A47L 11/4008

FOREIGN PATENT DOCUMENTS

CN	303479948	*	12/2015
CN	303579405	*	2/2016
CN	303806074	*	8/2016

OTHER PUBLICATIONS

Eureka NEU182B, available in Amazon.com, customer review oldest date Feb. 4, 2020 [online], [site visited Jan. 12, 2021], Available from the internet URL: https://www.amazon.com/Eureka-PowerSpeed-Bagless-Upright-Cleaner/dp/B083C2DTKX/ref=cm_cr_arp_d_product_top?ie=UTF8&th=1 (Year: 2020).*

Hoover WindTunnel Upright Vacuum, available in Amazon.com, customer review oldest date May 5, 2019 [online], [site visited Jan. 12, 2021], URL: https://www.amazon.com/Hoover-WindTunnel-Performance-Powerful-UH72625/dp/B07MFM81RX/ref=cm_cr_arp_d_product_top?ie=UTF8 (Year: 2019).*

BISSELL Cleanview Bagless Vacuum Cleaner, available in Amazon.com, customer review oldest date Jan. 19, 2019 [online], [site visited Jan. 12, 2021], Available from the internet URL: https://www.amazon.com/BISSELL-Cleanview-Bagless-Cleaner-2486/dp/B07L69RL4B/ref=cm_cr_arp_d_product_top?ie=UTF8&th=1 (Year: 2019).*

BISSELL Cleanview Swivel Pet Vacuum Cleaner, available in Amazon.com, customer review oldest date Sep. 24, 2018 [online], [site visited Jan. 12, 2021], Available from the internet URL: https://www.amazon.com/BISSELL-Cleanview-Upright-Bagless-2252/dp/B07F6N3RT6/ref=cm_cr_arp_d_product_top?ie=UTF8 (Year: 2018).*

BISSELL Cleanview Swivel Rewind Pet Vacuum Cleaner, available in Amazon.com, customer review oldest date Oct. 5, 2018 [online], [site visited Jan. 12, 2021], Available from the internet URL: https://www.amazon.com/BISSELL-Cleanview-Upright-Bagless-Cleaner/dp/B07FJ4N2S7/ref=psdc_510110_t3_B07F6N3RT6?th=1 (Year: 2018).*

* cited by examiner

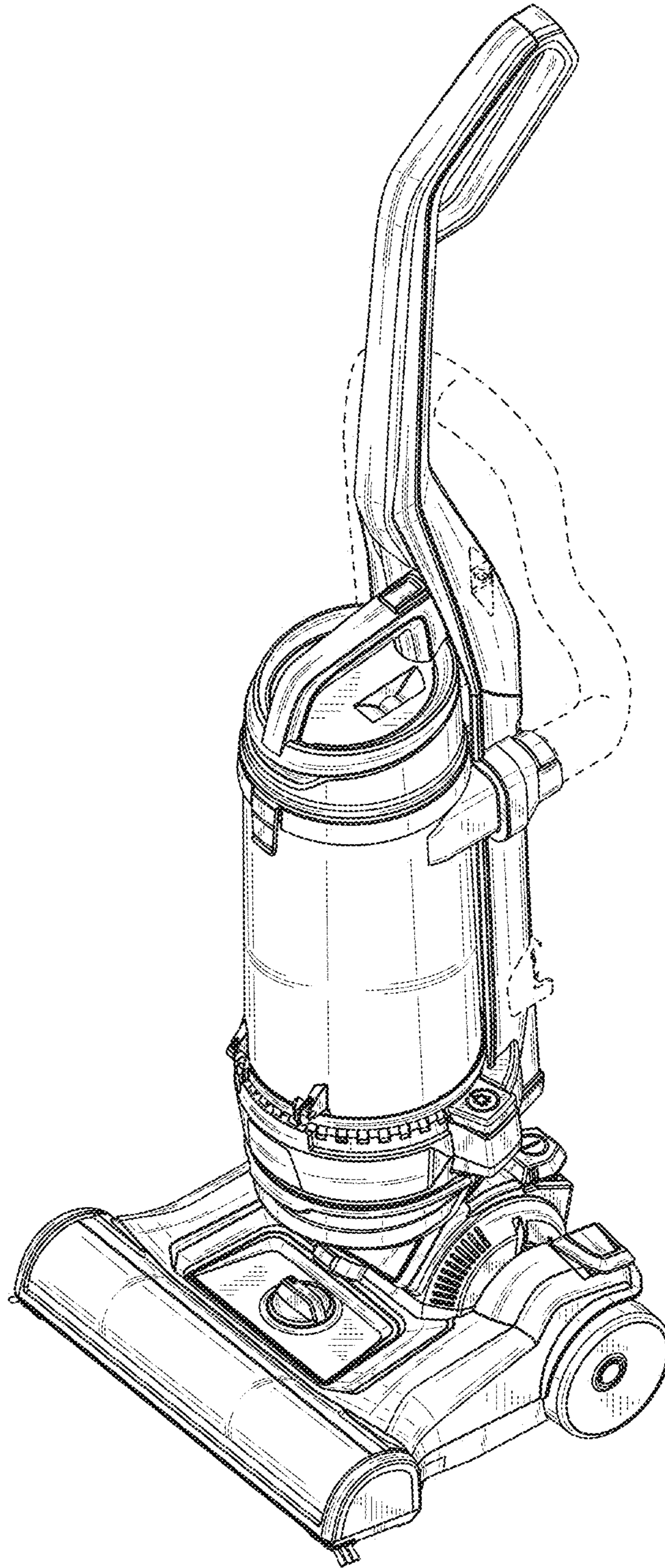


FIG. 1

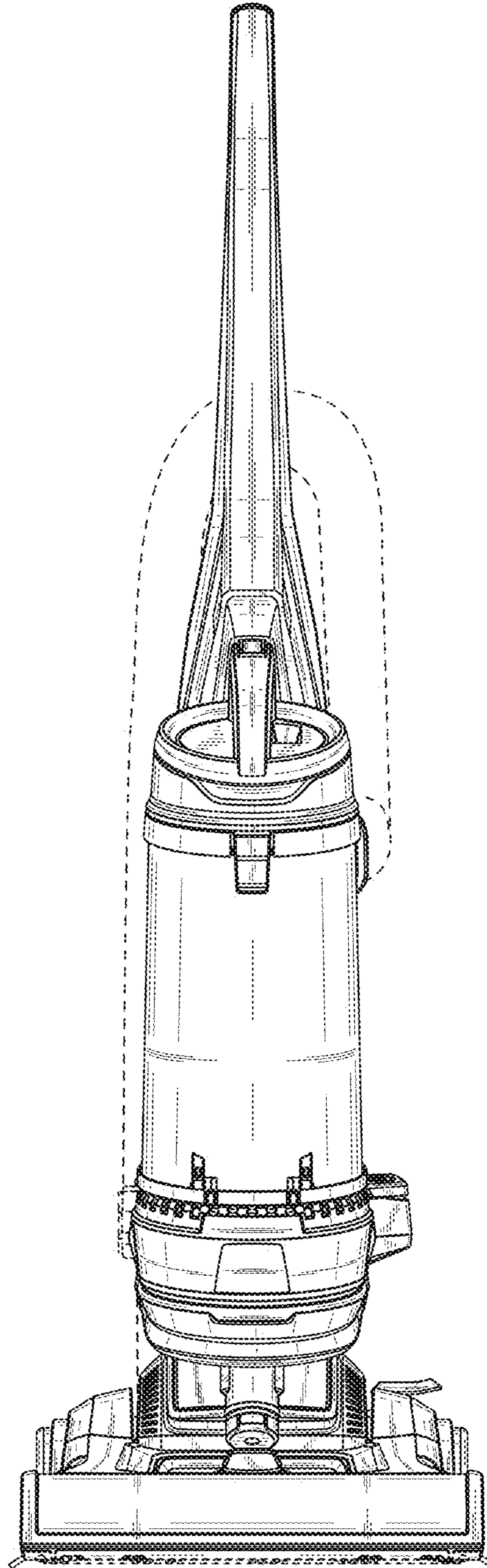


FIG. 2

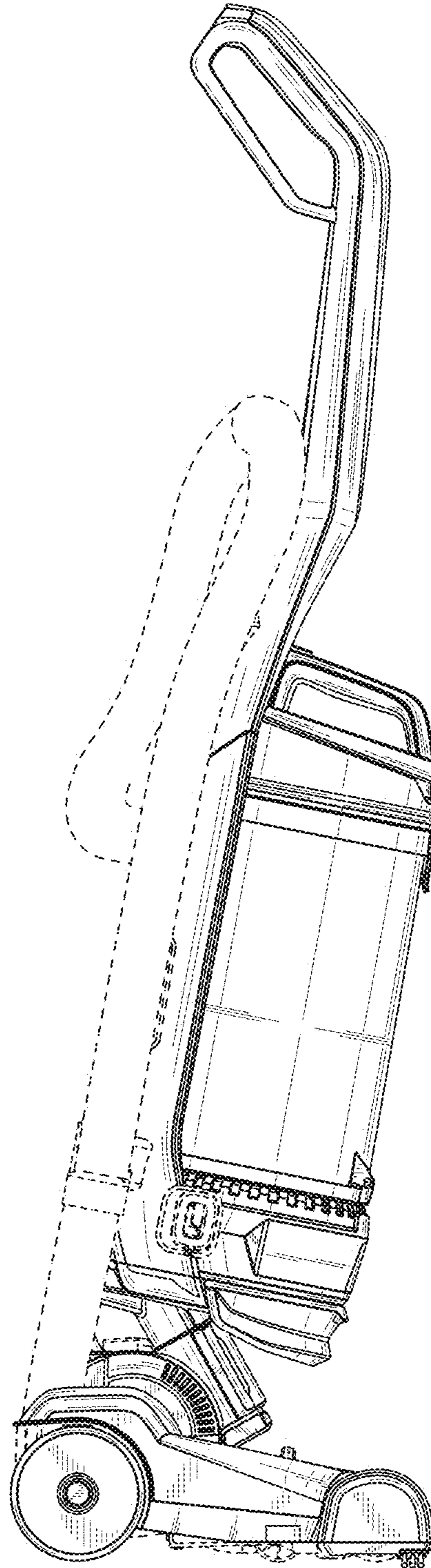


FIG. 3

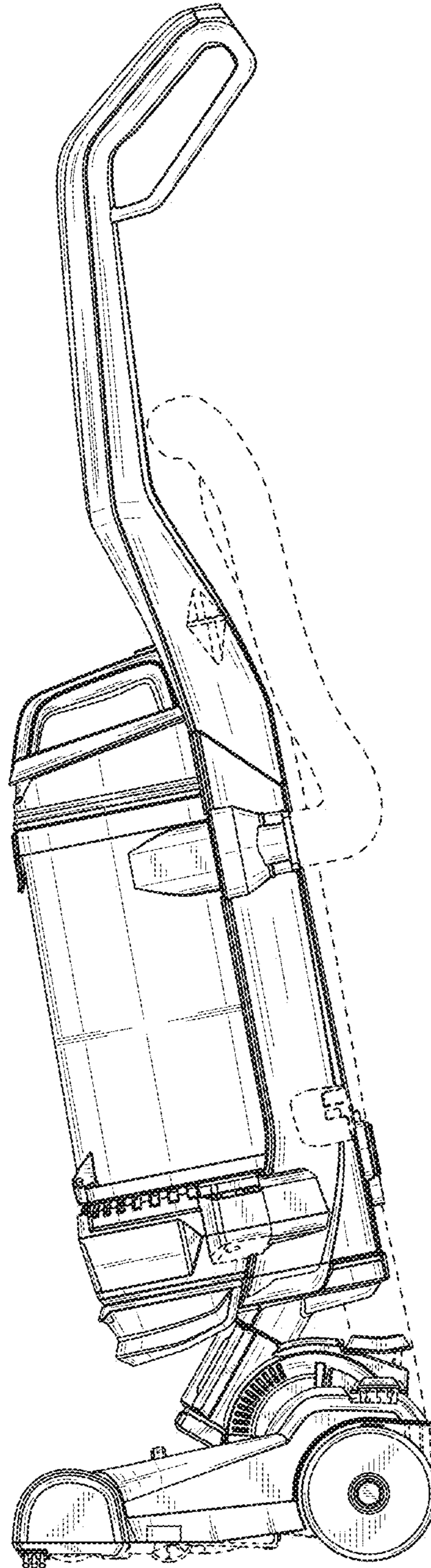


FIG. 4

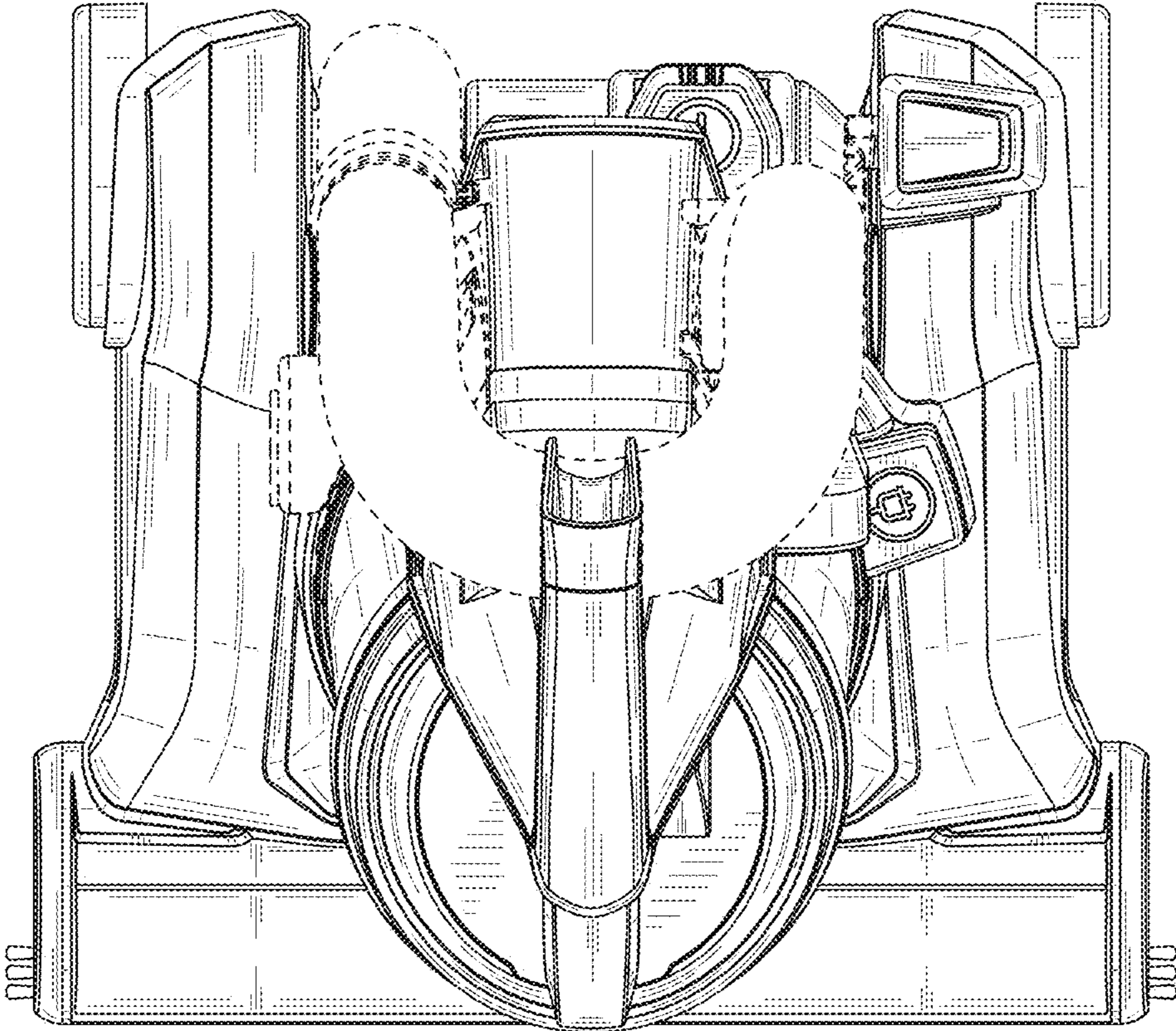


FIG. 5

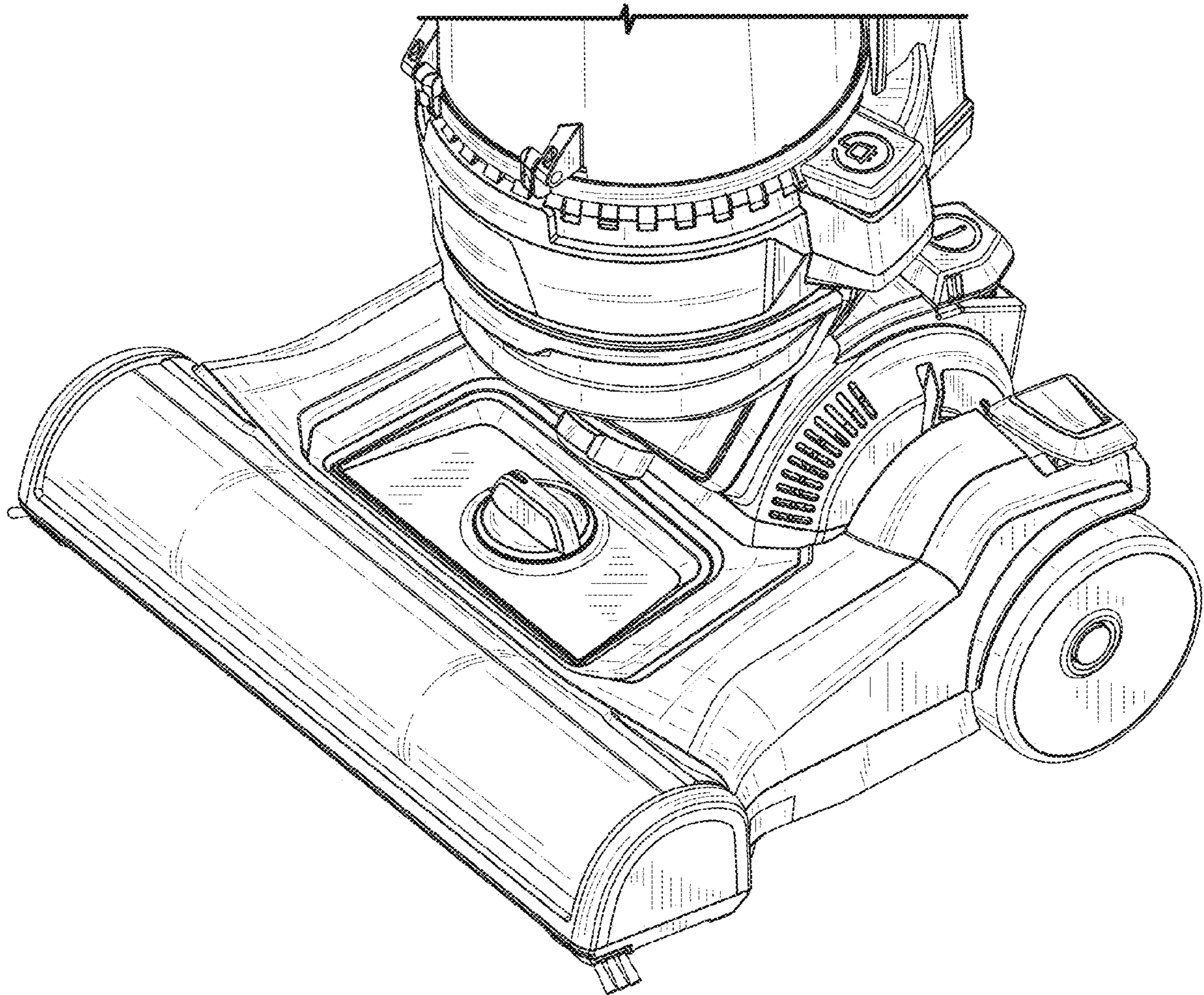


FIG. 6

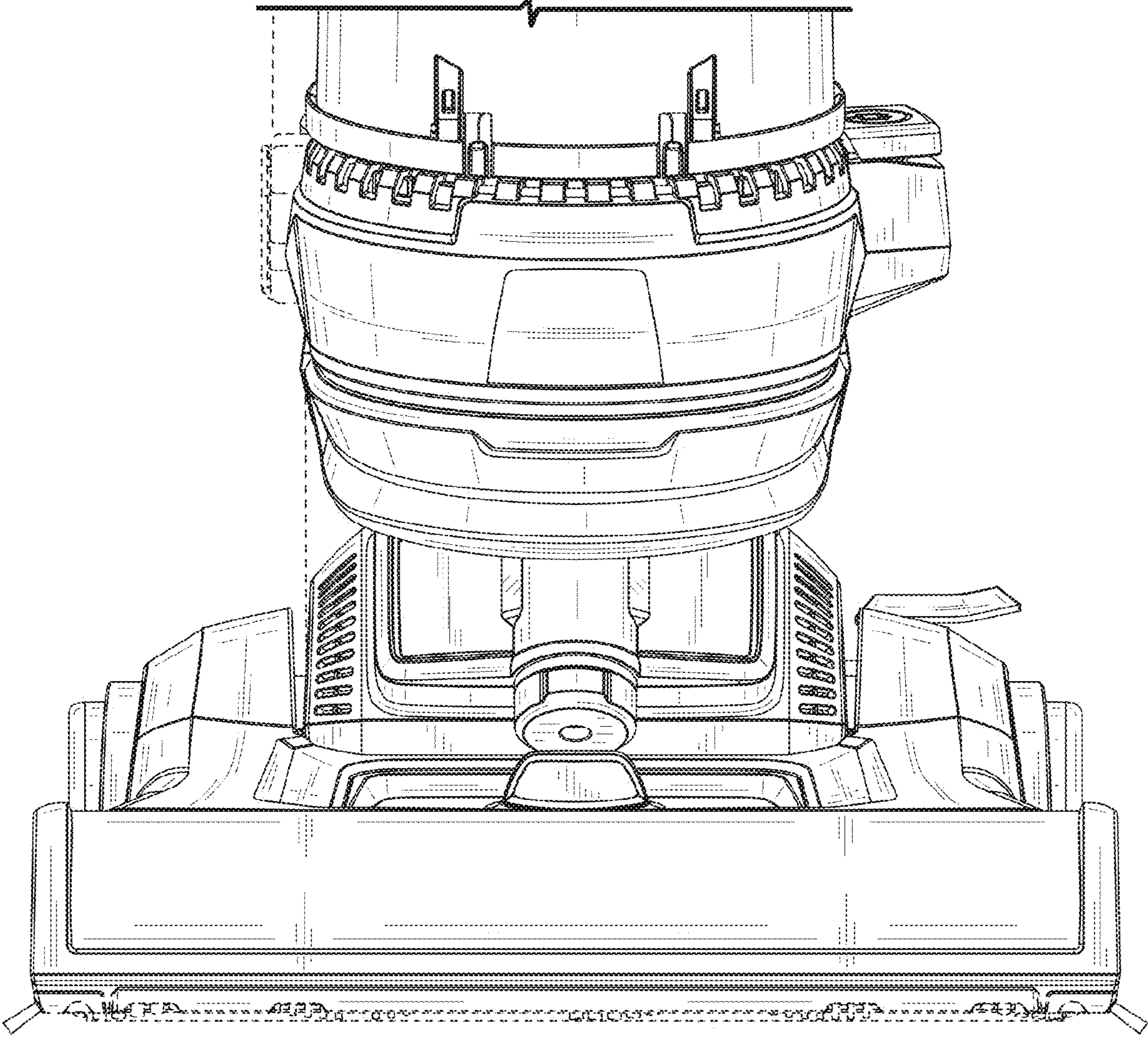


FIG. 7