



US00D928431S

(12) **United States Design Patent** (10) **Patent No.:** **US D928,431 S**  
**Kim** (45) **Date of Patent:** **\*\* Aug. 17, 2021**

(54) **ULTRAVIOLET STERILIZER**  
(71) Applicant: **PRIMETECH CO., Ltd.**, Seoul (KR)  
(72) Inventor: **Yun Ju Kim**, Seoul (KR)  
(\*\*) Term: **15 Years**  
(21) Appl. No.: **35/509,033**  
(22) Filed: **Apr. 26, 2019**

*Primary Examiner* — Khawaja Anwar  
(74) *Attorney, Agent, or Firm* — Antonio Ha & U.S. Patent, LLC

(80) **Hague Agreement Data**  
Int. Filing Date: **Apr. 26, 2019**  
Int. Reg. No.: **DM/206847**  
Int. Reg. Date: **Apr. 26, 2019**  
Int. Reg. Pub. Date: **Apr. 10, 2020**  
(51) **LOC (13) Cl.** ..... **15-05**  
(52) **U.S. Cl.**  
USPC ..... **D32/17**  
(58) **Field of Classification Search**  
USPC ..... D32/17, 18, 21-24, 31-34  
CPC ..... A47L 13/12; A47L 11/4036; A47L 9/062;  
A47L 9/0673; A47L 11/4011; A47L  
11/4061; A47L 13/225; A47L 13/256;  
A47L 15/4257; A47L 2201/04; A47L  
9/0693  
See application file for complete search history.

(57) **CLAIM**

The ornamental design for ultraviolet sterilizer, as shown and described.

**DESCRIPTION**

- 1. Ultraviolet sterilizer
- 1.1 : Perspective
- 1.2 : Front
- 1.3 : Back
- 1.4 : Left
- 1.5 : Right
- 1.6 : Top
- 1.7 : Bottom

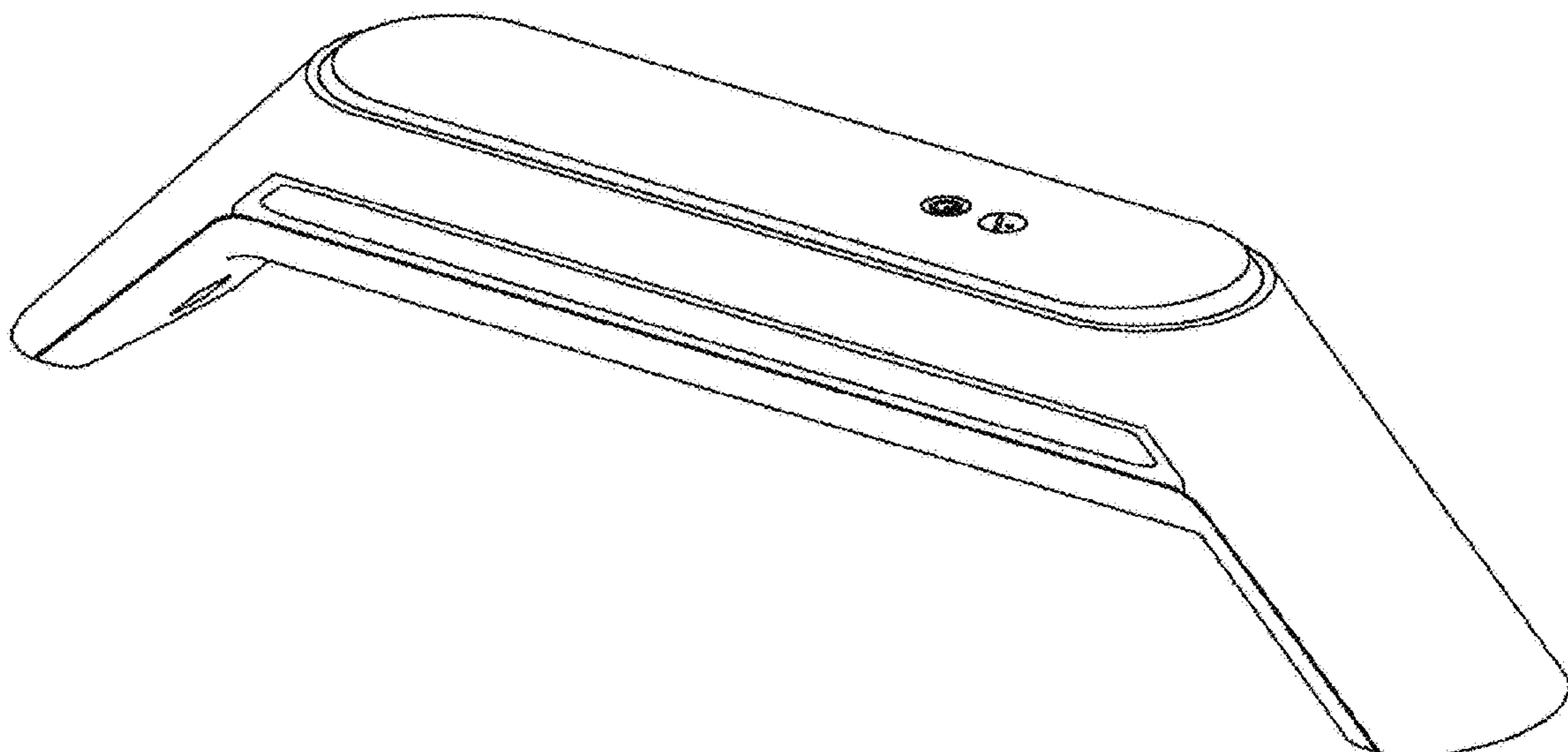
The object of the present design is made of metals and synthetic resins; the object of the present design is an ultraviolet sterilizer for use in sterilizing any kind of bedding with ultraviolet rays emitted from the bottom of the object of the present design; the object of the present design is curved so that the user can use the object without holding it, and an ultraviolet lamp can be spaced a preset interval from the bottom; Fig. 1.1 is an overall view of the object of the present design, fig. 1.2 is a front view of the object of the present design, fig. 1.3 is a rear view of the object of the present design, fig. 1.4 is a left side view of the object of the present design, fig. 1.5 is a right side view of the object of the present design, fig. 1.6 is a plan view of the object of the present design, and fig. 1.7 is a bottom view of the object of the present design.

The broken lines in the drawings illustrate portions of the ultraviolet sterilizer and form no part of the claimed design.

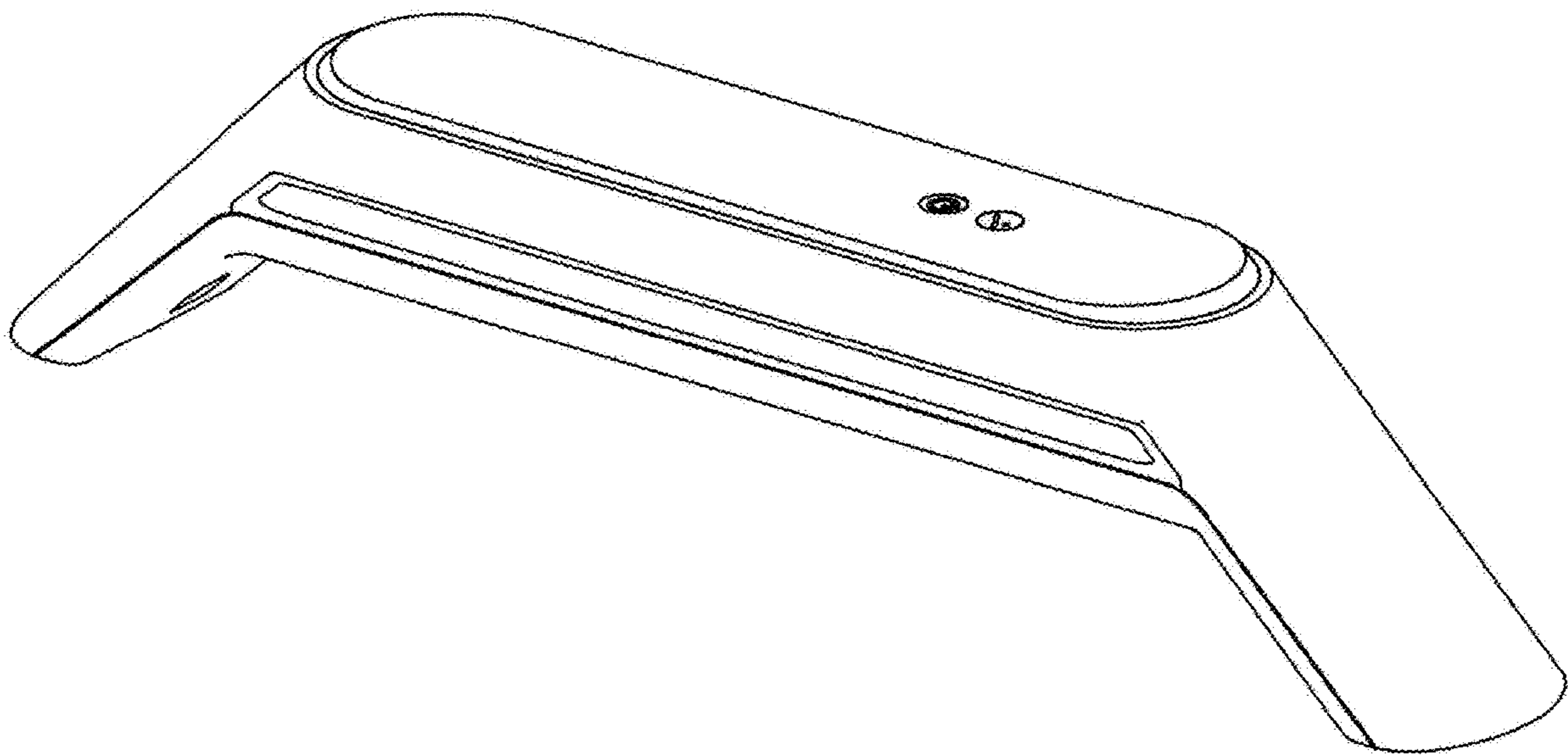
(56) **References Cited**  
**U.S. PATENT DOCUMENTS**  
D589,663 S \* 3/2009 Massip ..... D32/17  
D622,457 S \* 8/2010 Choi ..... D32/17  
D725,326 S \* 3/2015 Spencer ..... D32/17  
D770,104 S \* 10/2016 Koehler ..... D32/17  
D792,036 S \* 7/2017 Genoa ..... D32/17  
D826,492 S \* 8/2018 Huang ..... D32/17  
D839,508 S \* 1/2019 Chung ..... D32/17  
D841,266 S \* 2/2019 Desagre ..... D32/17

\* cited by examiner

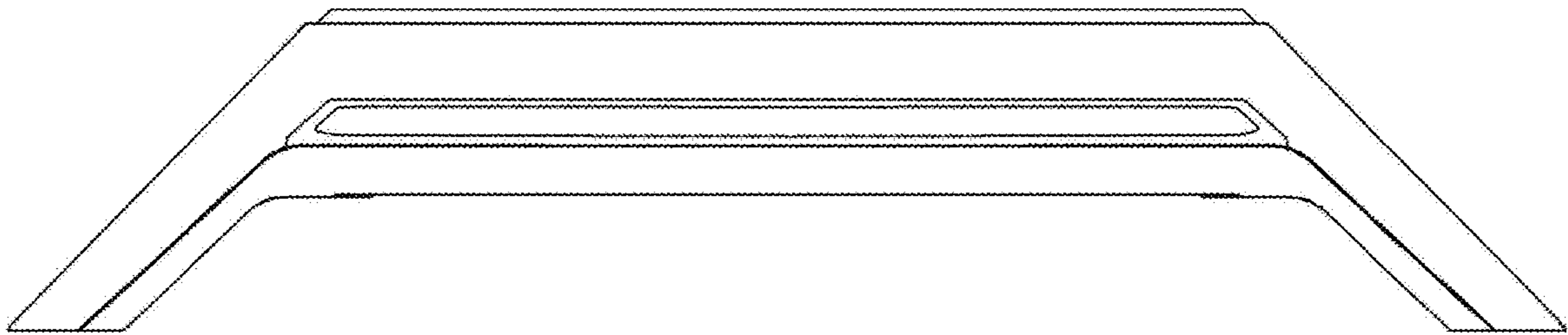
**1 Claim, 7 Drawing Sheets**



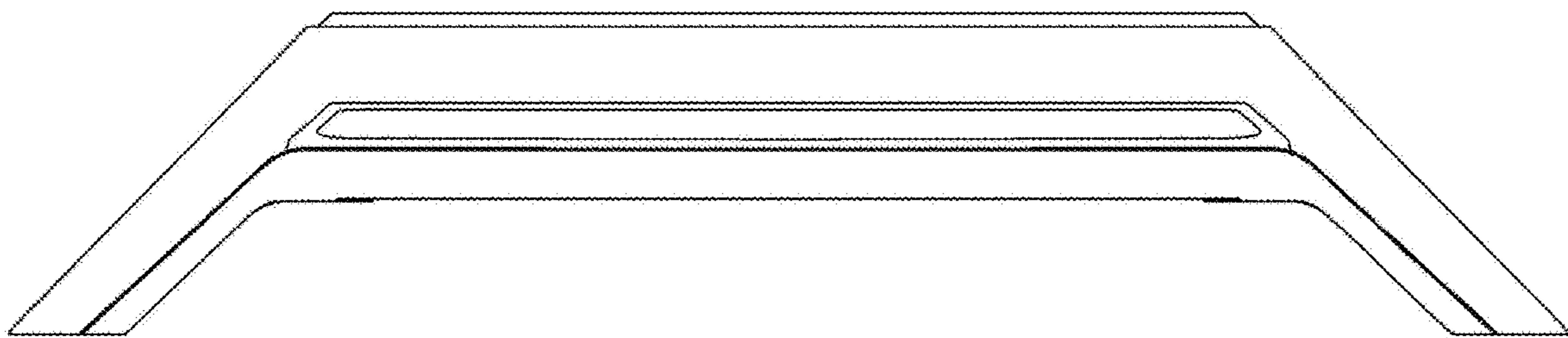
1.1



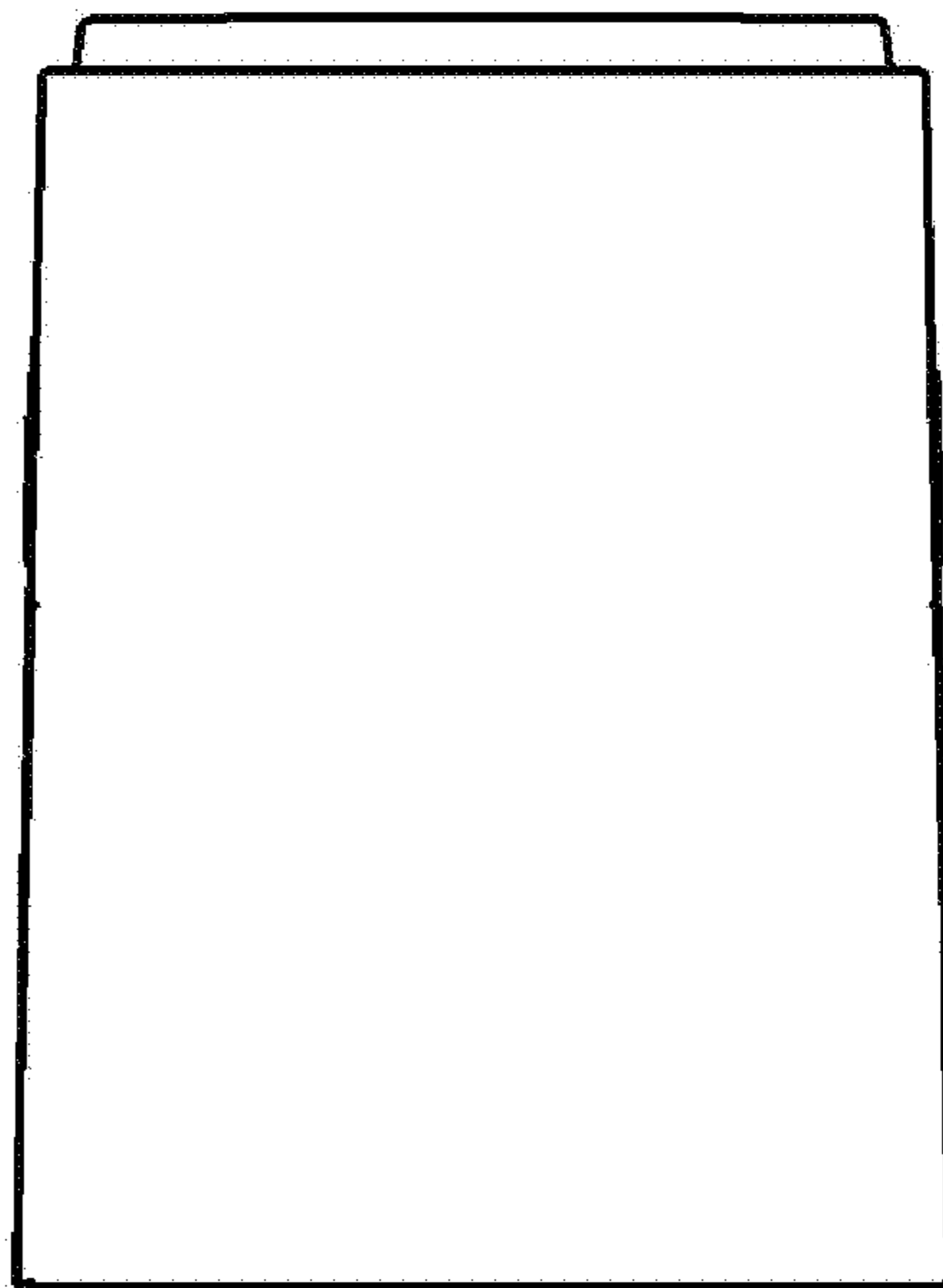
1.2



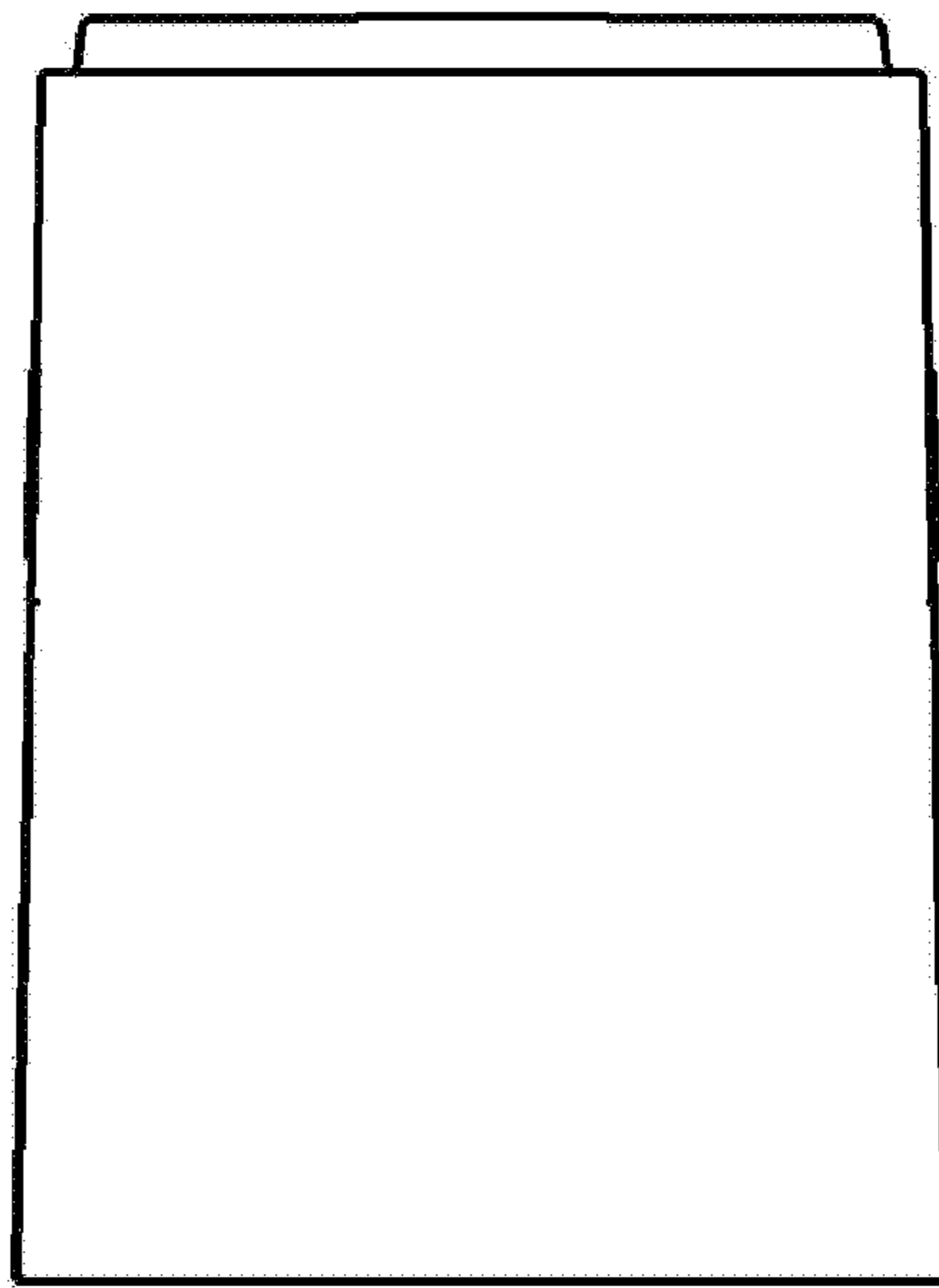
1.3



1.4



1.5



1.6



1.7

