



US00D928430S

(12) **United States Design Patent** (10) **Patent No.:** **US D928,430 S**
Wu (45) **Date of Patent:** **** Aug. 17, 2021**

(54) **GRIP OF CONDUIT DREDGE**
(71) Applicant: **Kuei-Kun Wu**, Kaohsiung (TW)
(72) Inventor: **Kuei-Kun Wu**, Kaohsiung (TW)
(**) Term: **15 Years**
(21) Appl. No.: **29/711,463**
(22) Filed: **Oct. 31, 2019**
(51) **LOC (13) Cl.** **07-05**
(52) **U.S. Cl.**
USPC **D32/14**
(58) **Field of Classification Search**
USPC D8/356; D22/108, 140; D32/14, 35;
D19/184
CPC E03C 1/304; B08B 9/045; G05G 1/085;
E03F 9/005
See application file for complete search history.

D850,739 S * 6/2019 Fan D32/14
D861,262 S * 9/2019 Scheuerman D32/14
D899,017 S * 10/2020 Najimi D32/14
2008/0244816 A1 * 10/2008 Babb B08B 9/045
4/255.01
2019/0329302 A1 * 10/2019 Wu E03C 1/304

OTHER PUBLICATIONS

Auger handle <https://www.amazon.com/Closet-Auger-Dia-ft-Cable/dp/B07DNJY4TW> (Year: 2020).*

(Continued)

Primary Examiner — Michelle E. Wilson
Assistant Examiner — Richard E Yenchesky
(74) *Attorney, Agent, or Firm* — Browdy and Neimark, PLLC

(57) **CLAIM**

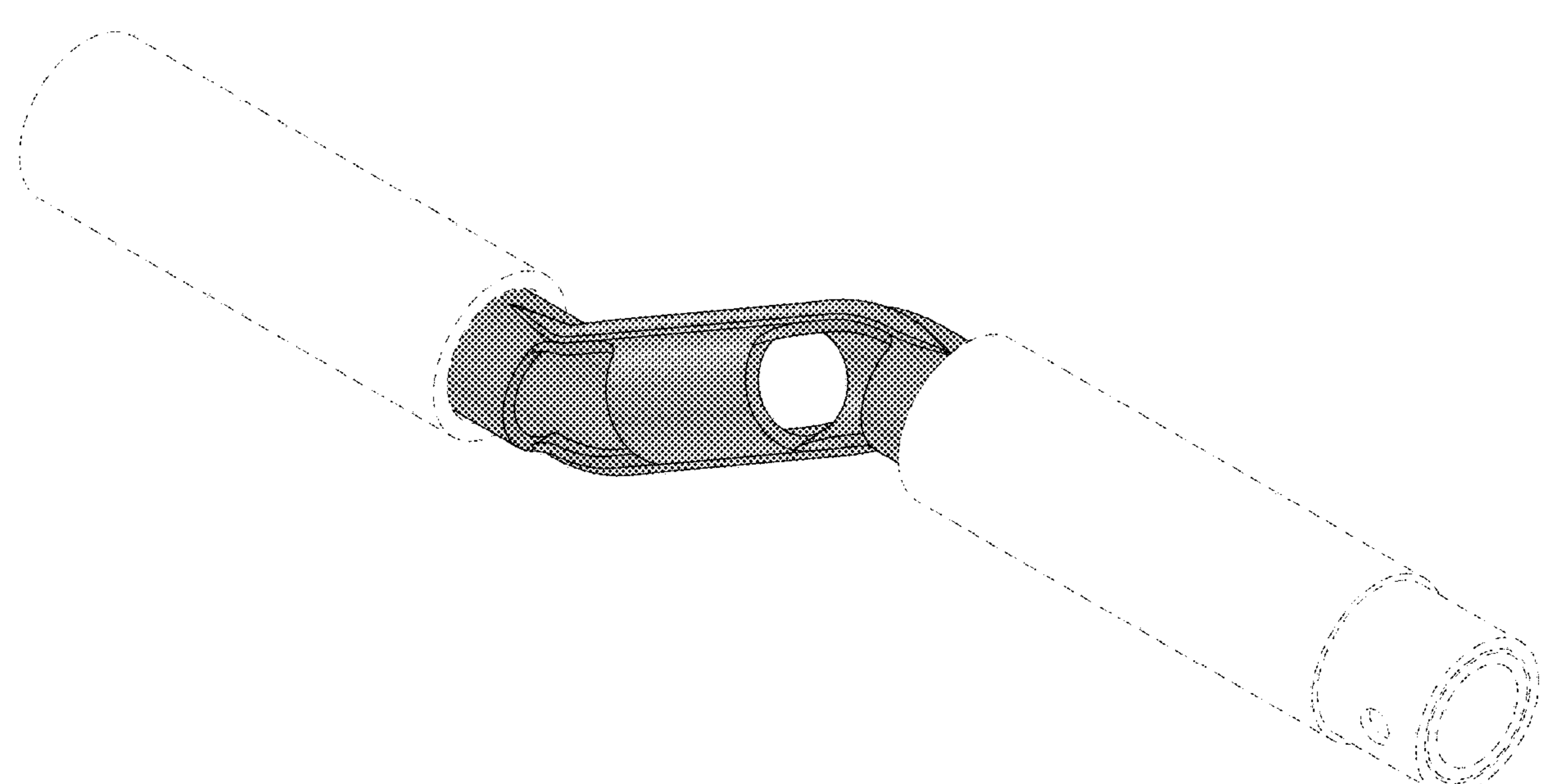
The ornamental design for a grip of conduit dredge, as shown and described.

DESCRIPTION

FIG. 1 is a perspective view of a grip of conduit dredge, showing my new design;
FIG. 2 is an another perspective view thereof;
FIG. 3 is a front elevation view thereof;
FIG. 4 is a rear elevation view thereof;
FIG. 5 is a left side elevation view thereof;
FIG. 6 is a right side elevation view thereof;
FIG. 7 is a top plan view thereof;
FIG. 8 is a bottom plan view thereof; and,
FIG. 9 is an operational perspective view thereof in an environment of use, in which the grip of conduit dredge combined with a spring of conduit dredge.
The broken lines shown are included for the purpose of illustrating unclaimed portions of the article and form no part of the claimed design.

1 Claim, 9 Drawing Sheets

(56) **References Cited**
U.S. PATENT DOCUMENTS
984,473 A * 2/1911 Cornelius E03F 9/005
15/104.33
D237,678 S * 11/1975 Spencer D22/108
5,265,301 A * 11/1993 Irwin E03F 9/005
15/104.33
D370,126 S * 5/1996 Pfanstiehl D19/184
D404,178 S * 1/1999 Wetzler D32/35
D497,698 S * 10/2004 Vinci D32/35
D505,234 S * 5/2005 Tash D32/14
D650,954 S * 12/2011 Patterson D32/14
9,670,656 B2 * 6/2017 Rutkowski G05G 1/085
D792,756 S * 7/2017 Vanttila D8/356
D807,730 S * 1/2018 Wu D8/356
D815,244 S * 4/2018 Humphreys, Jr. D22/140
D834,268 S * 11/2018 Wu D32/14
D836,869 S * 12/2018 Wu D32/35
D850,738 S * 6/2019 Fan D32/14



(56)

References Cited

OTHER PUBLICATIONS

Flexisnake <https://www.amazon.com/dp/B01NB0729G?tag=gistg-20&linkCode=ogi&th=1&psc=1> (Year: 2018).*

Auger <https://www.lowes.com/pd/Cobra-1-2-in-x-50-ft-Music-Wire-Drain-Auger/999908747> (Year: 2011).*

* cited by examiner

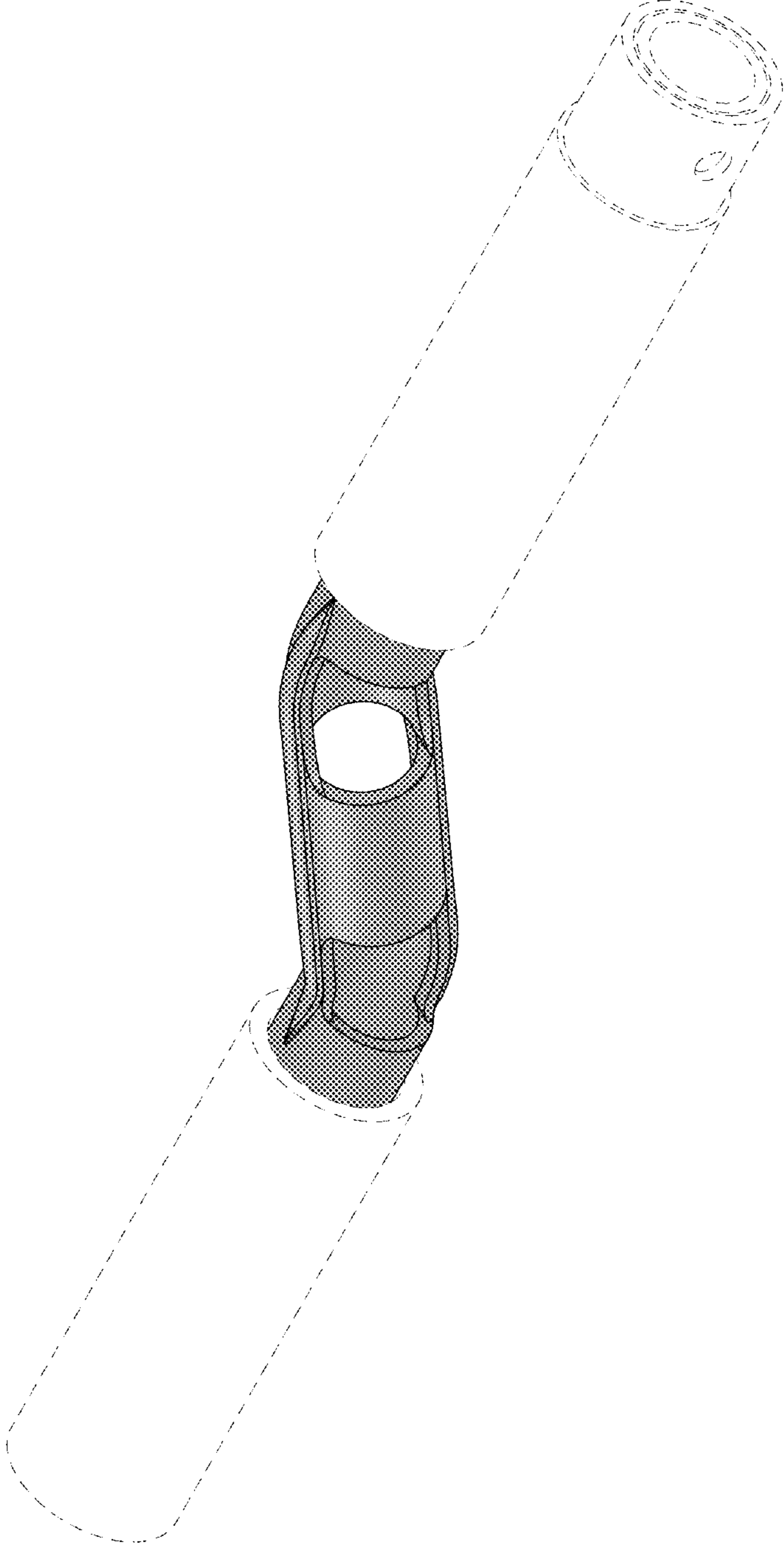


FIG. 1

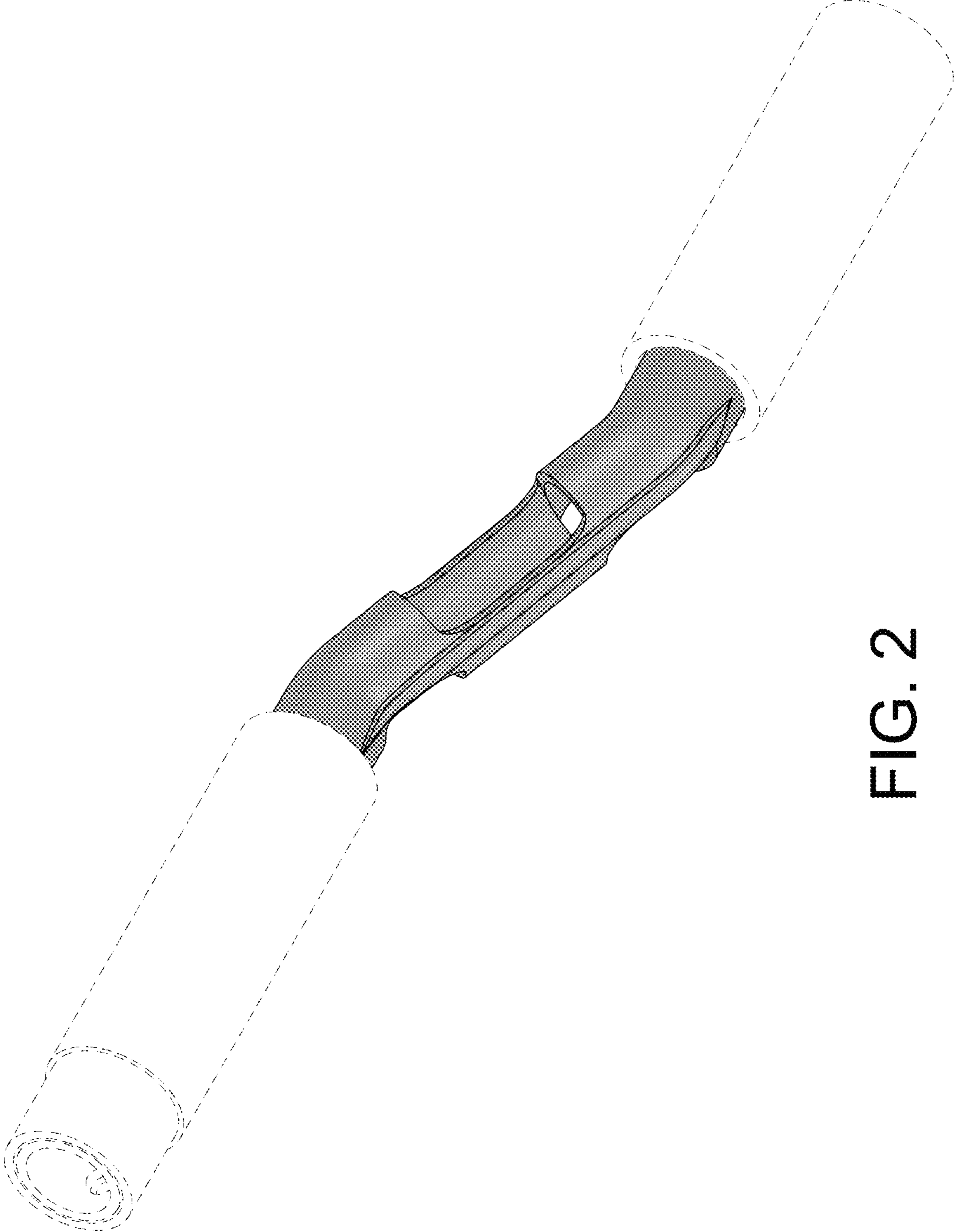


FIG. 2

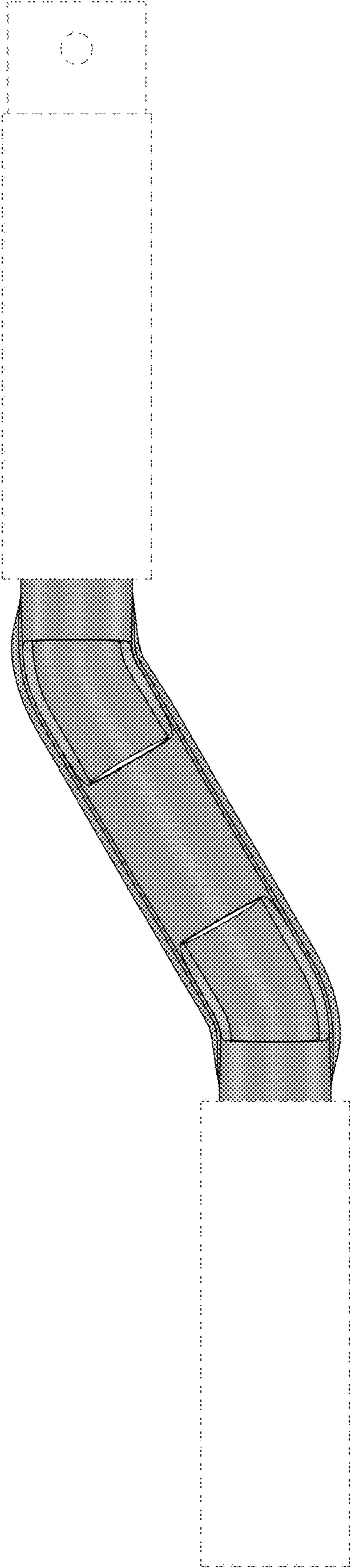


FIG. 3

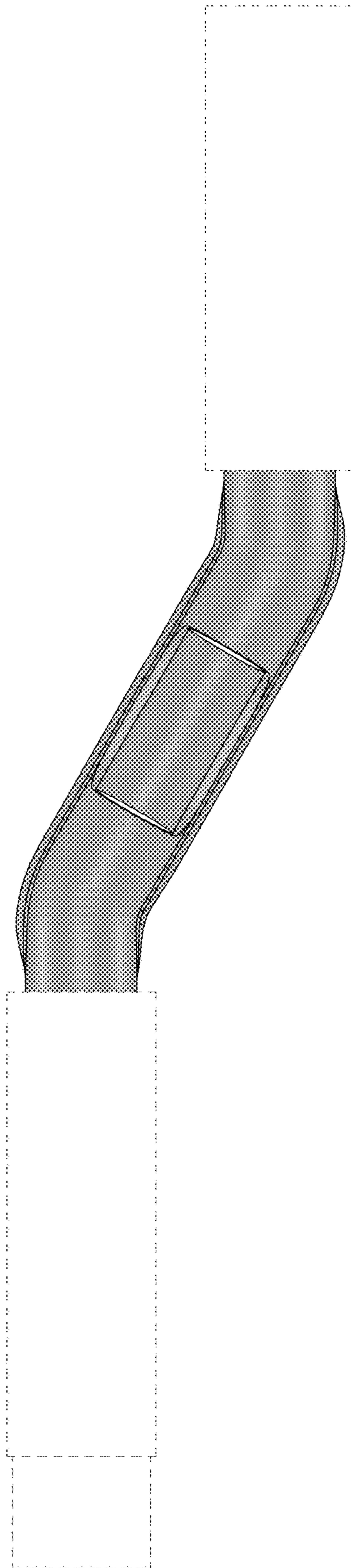


FIG. 4

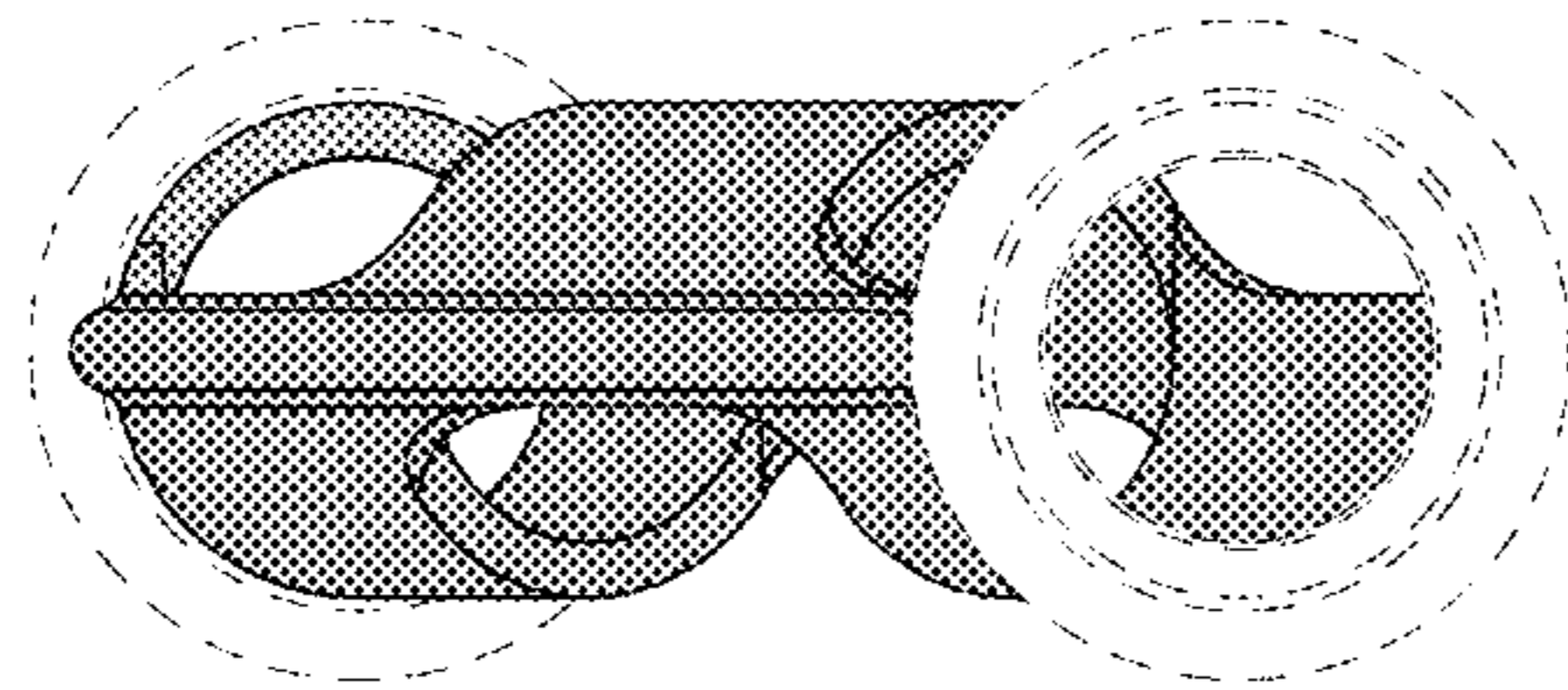


FIG. 5

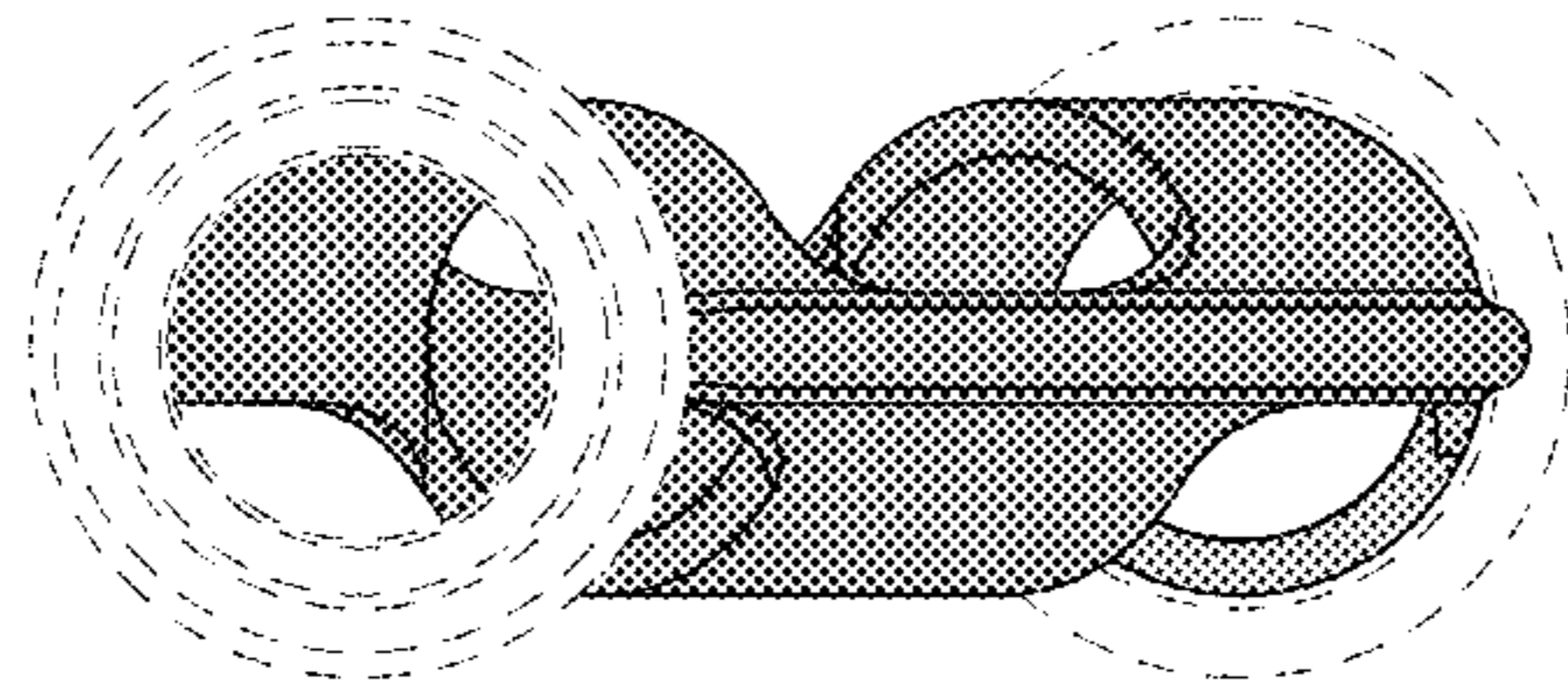


FIG. 6

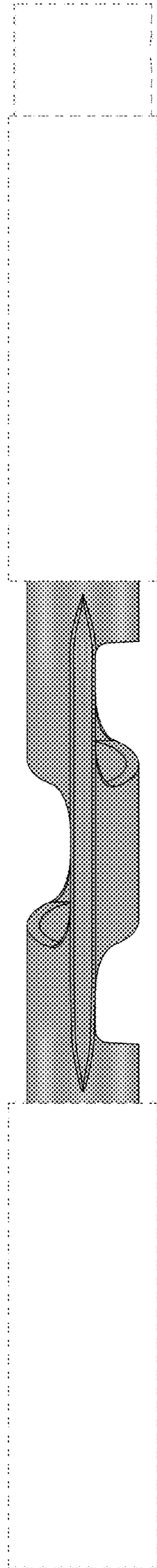


FIG. 7

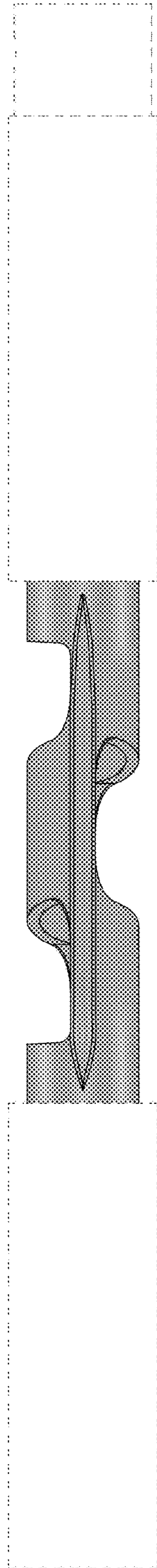


FIG. 8

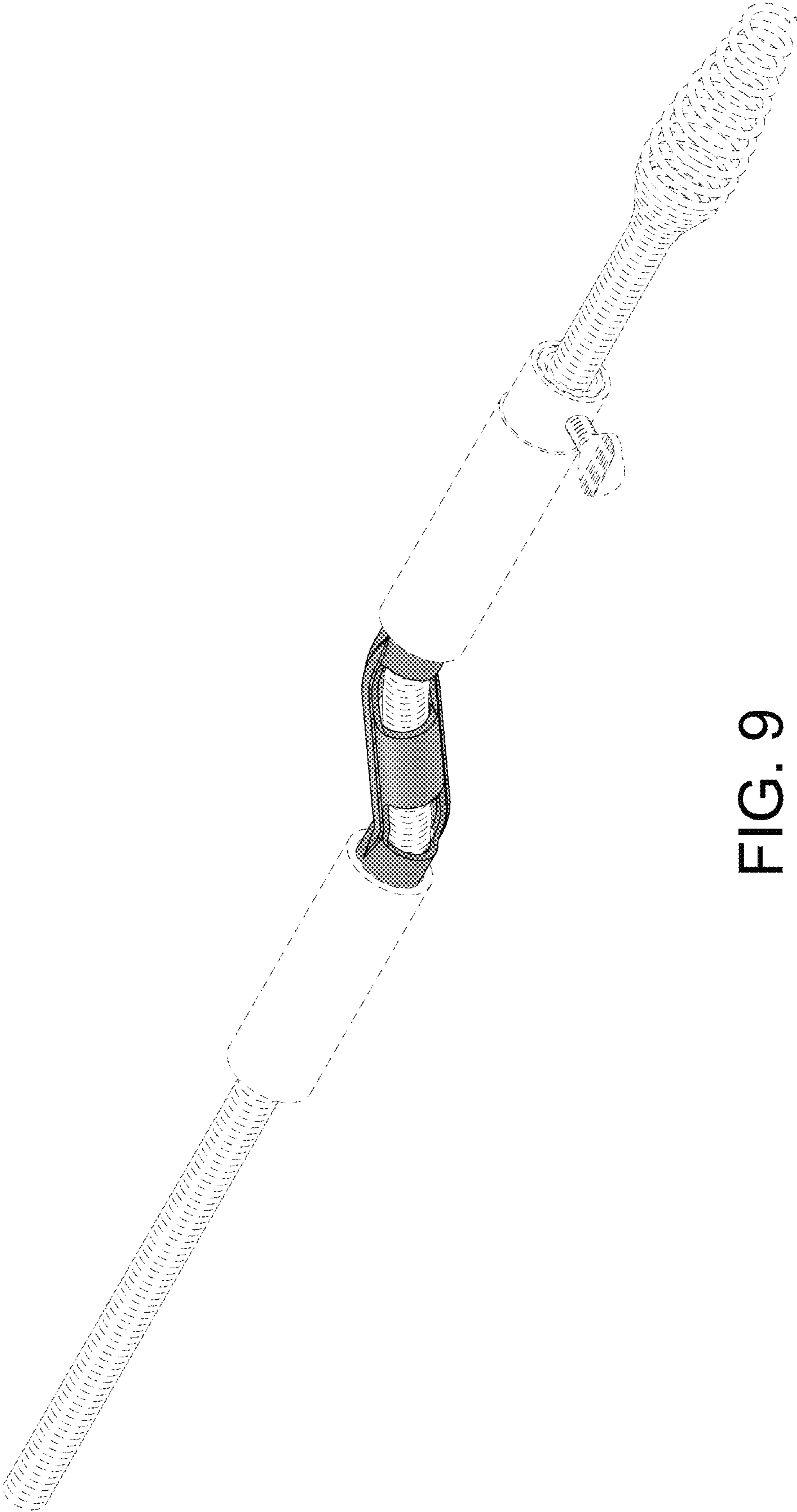


FIG. 9