



US00D928428S

(12) **United States Design Patent** (10) **Patent No.:** **US D928,428 S**  
**Guo** (45) **Date of Patent:** **\*\* Aug. 17, 2021**

- (54) **CAT TREE TOWER**
- (71) Applicant: **ZeShan Guo**, Jiangsu Province (CN)
- (72) Inventor: **ZeShan Guo**, Jiangsu Province (CN)
- (73) Assignee: **GLOBEGOU WZ CO., LTD.**,  
Zhejiang (CN)
- (\*\*) Term: **15 Years**
- (21) Appl. No.: **29/763,918**
- (22) Filed: **Dec. 26, 2020**
- (51) **LOC (13) Cl.** ..... **30-99**
- (52) **U.S. Cl.**  
USPC ..... **D30/160**
- (58) **Field of Classification Search**  
USPC ..... D30/158, 160, 199; 119/702, 705, 706,  
119/707  
CPC ... A01K 15/024; A01K 15/025; A01K 15/027  
See application file for complete search history.

- 2003/0221628 A1\* 12/2003 Leon ..... A01K 15/024  
119/28.5
- 2011/0155073 A1\* 6/2011 Kilroy ..... A01K 15/024  
119/247
- 2016/0360729 A1\* 12/2016 Shi ..... A01K 15/025
- 2019/0230896 A1\* 8/2019 Goldman ..... A01K 1/035

**OTHER PUBLICATIONS**

“Rabbitgoo Cat Tree” available Nov. 30, 2020, [online], [site visited Mar. 22, 2021]. Retrieved from Internet, URL: [https://www.amazon.com/rabbitgoo-Adjustable-Multi-Level-Scratching-Furniture/dp/B08PBM8VV8/ref=sr\\_1\\_8](https://www.amazon.com/rabbitgoo-Adjustable-Multi-Level-Scratching-Furniture/dp/B08PBM8VV8/ref=sr_1_8) (Year: 2020).\*

\* cited by examiner

*Primary Examiner* — W. A. Teddy Falloway  
*Assistant Examiner* — Katrina N Gonzalez

(57) **CLAIM**

The ornamental design for a cat tree tower, as shown and described.

**DESCRIPTION**

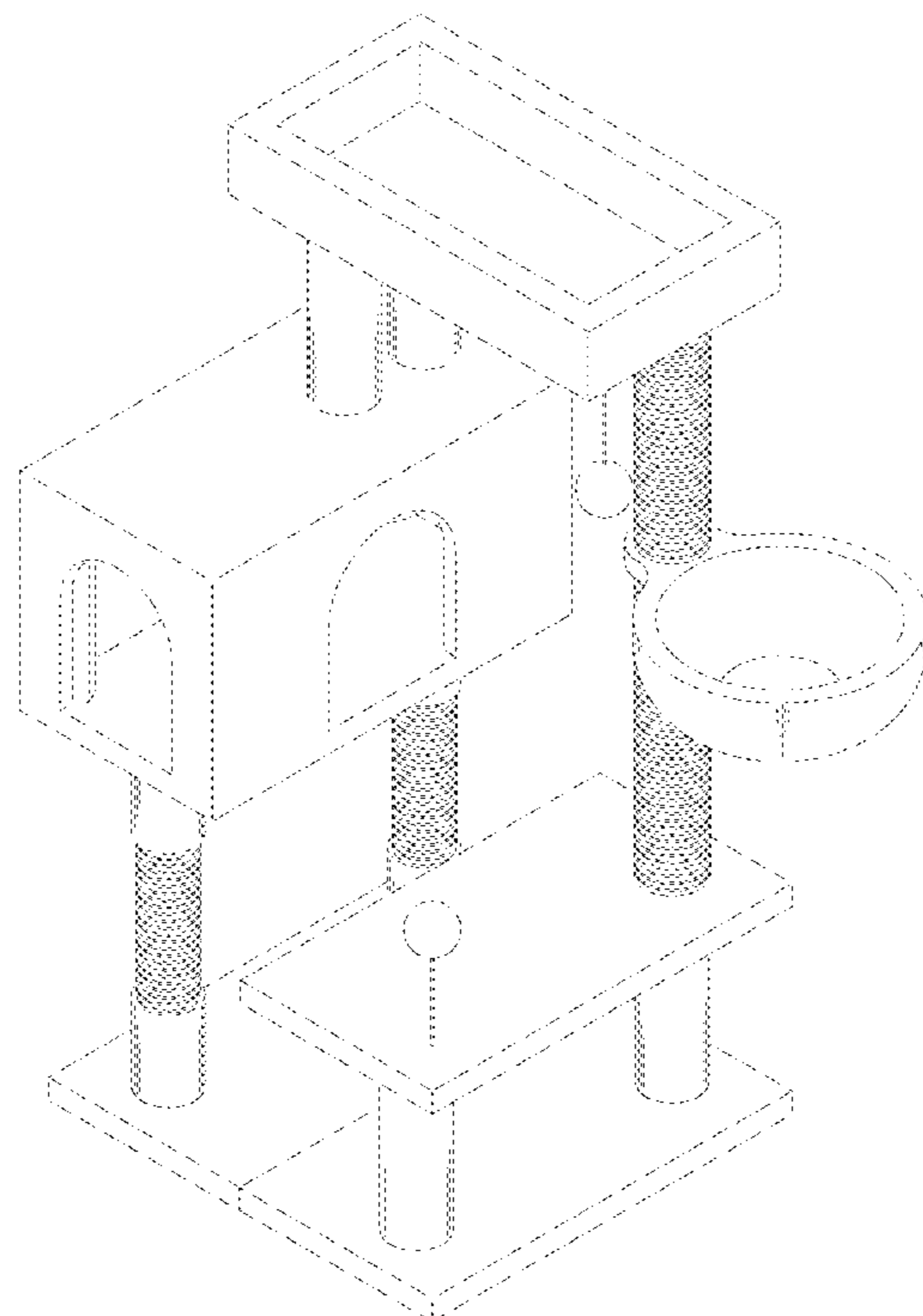
FIG. 1 is a perspective view of a cat tree tower showing my new design;  
FIG. 2 is a front elevation view thereof;  
FIG. 3 is a left side elevation view thereof;  
FIG. 4 is a top plan view thereof;  
FIG. 5 is a rear elevation view thereof;  
FIG. 6 is a right side elevation view thereof; and,  
FIG. 7 is a bottom plan view thereof.  
The broken lines illustrate portions of the cat tree tower that form no part of the claimed design.

**1 Claim, 7 Drawing Sheets**

(56) **References Cited**

**U.S. PATENT DOCUMENTS**

- D257,293 S \* 10/1980 Michalski ..... D30/158
- D290,767 S \* 7/1987 Duffek ..... D30/108
- D846,206 S \* 4/2019 He ..... D30/160
- D846,818 S \* 4/2019 He ..... D30/160
- D881,482 S 4/2020 Jayne et al.
- D883,585 S 5/2020 Song
- D883,586 S \* 5/2020 Song ..... D30/160
- D884,991 S 5/2020 Song
- D885,691 S 5/2020 Song
- D886,398 S 6/2020 Song
- D891,712 S 7/2020 He



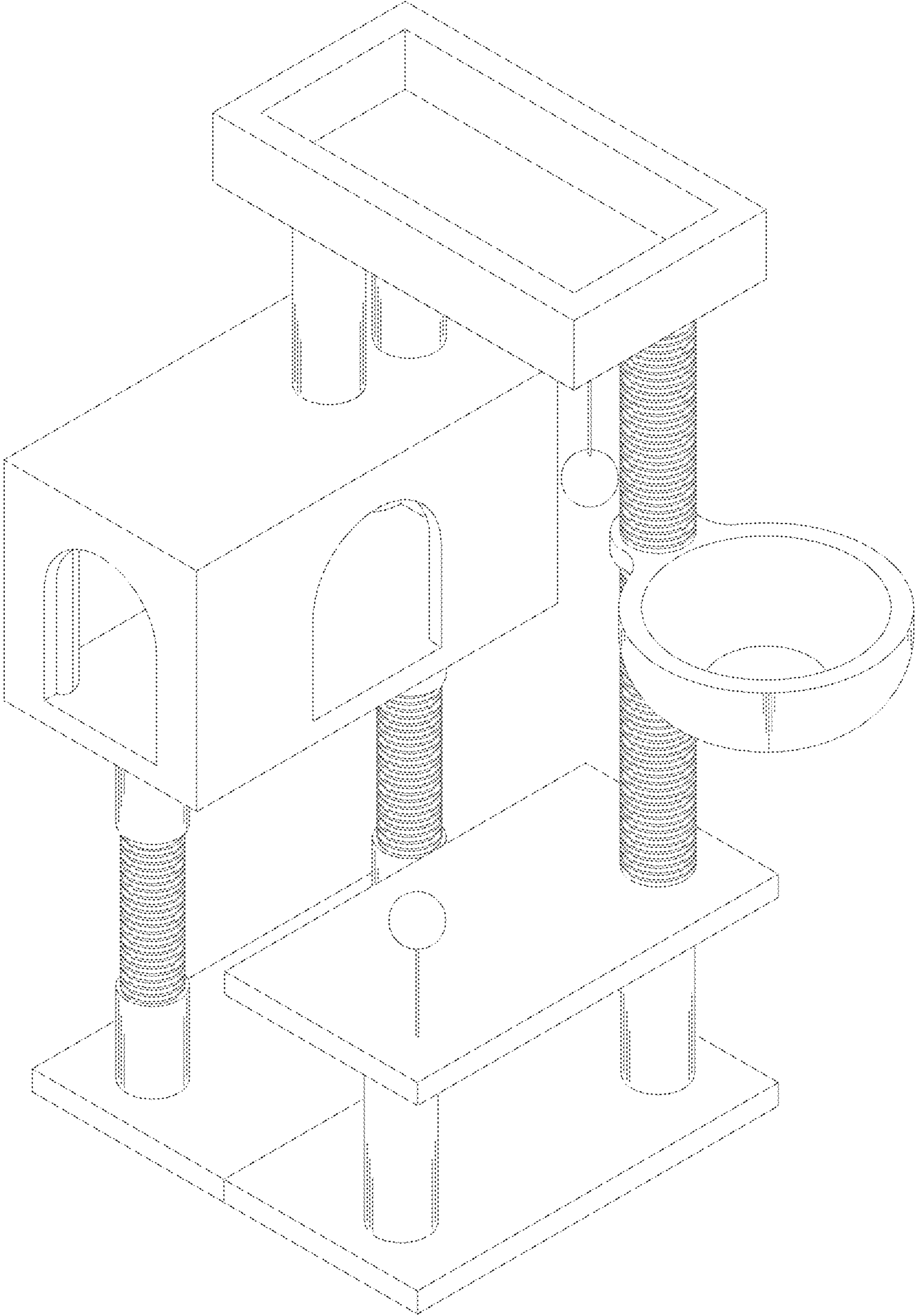


Fig. 1

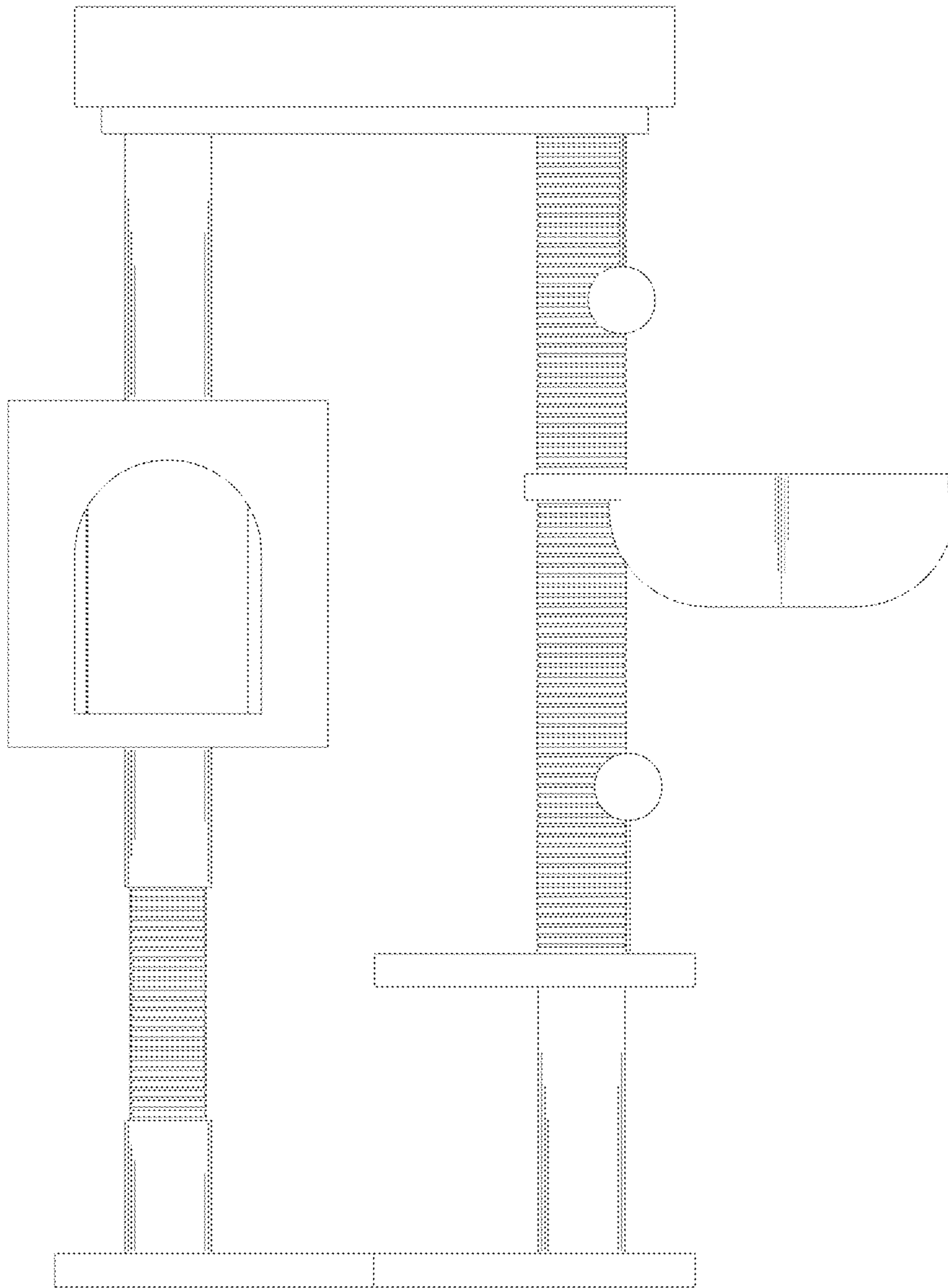


Fig. 2

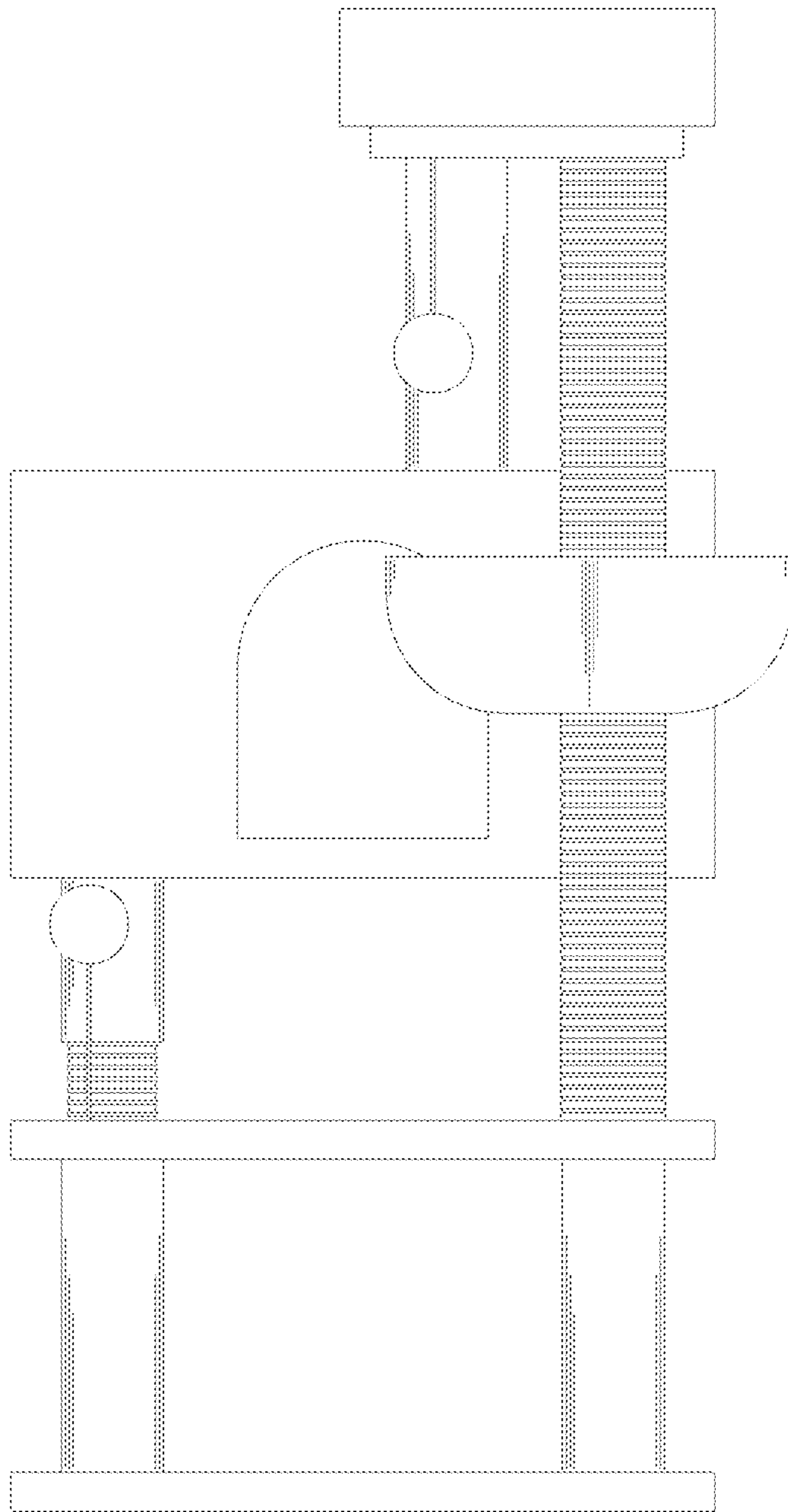


Fig. 3

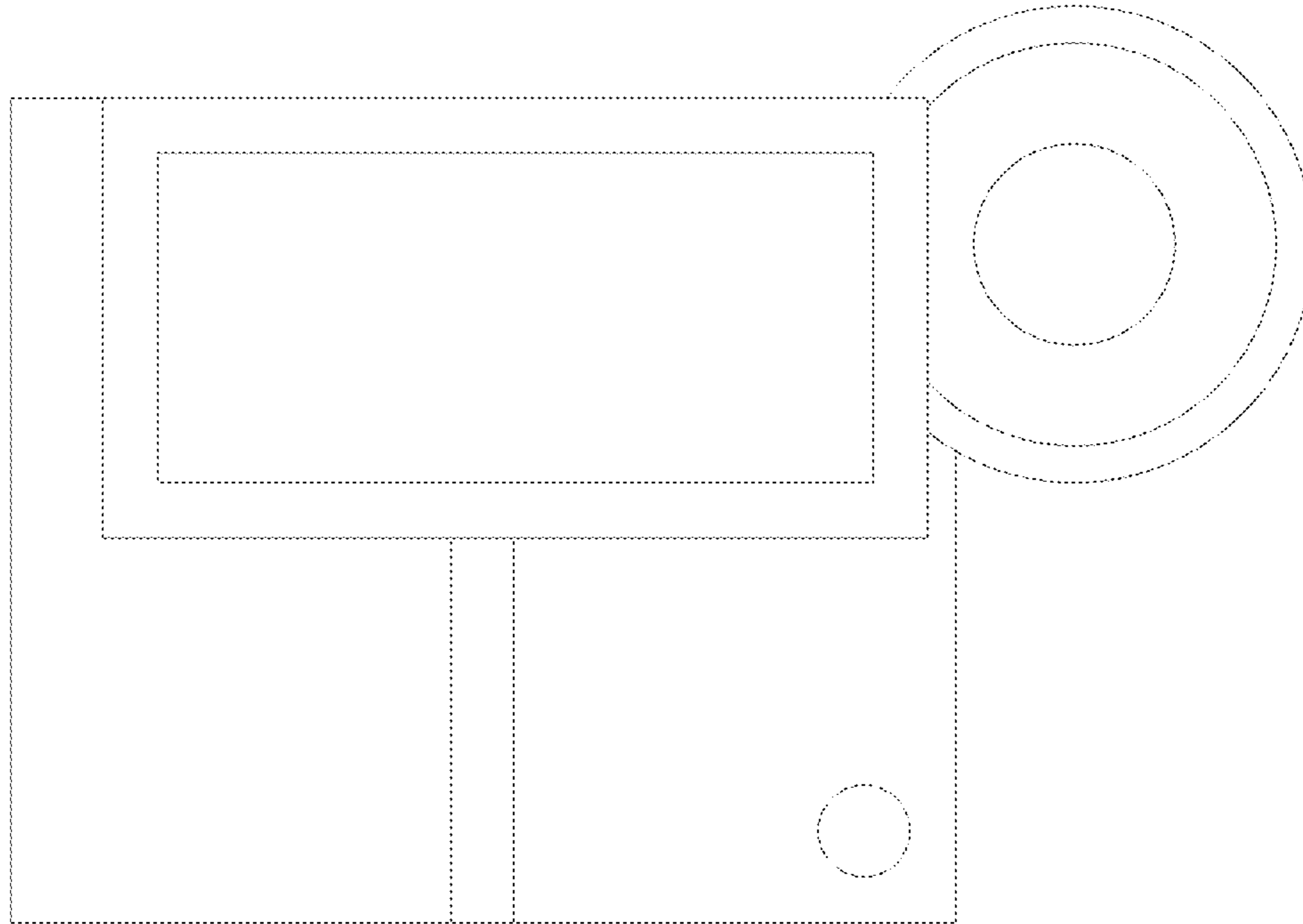


Fig. 4



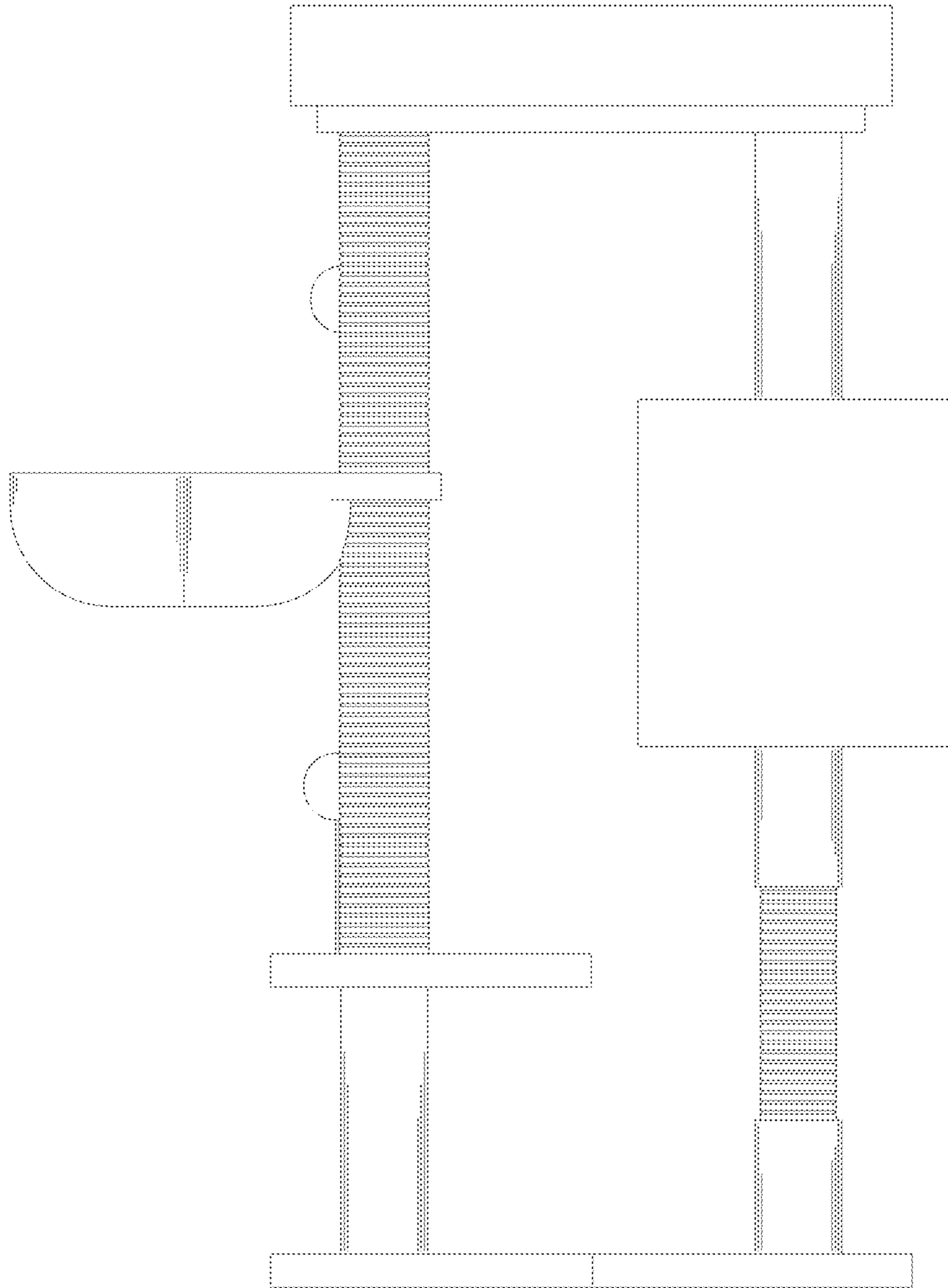


Fig. 5

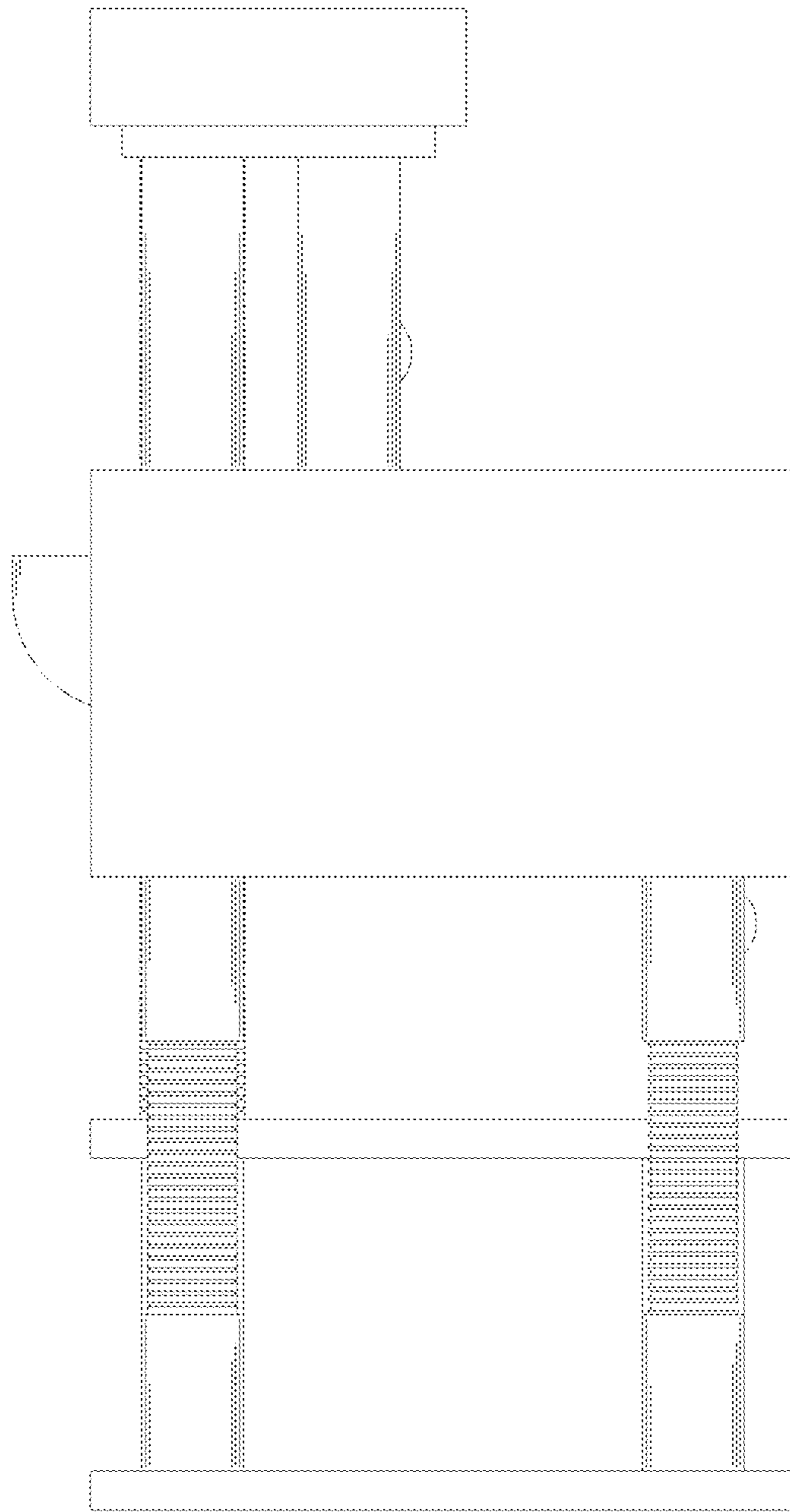


Fig. 6

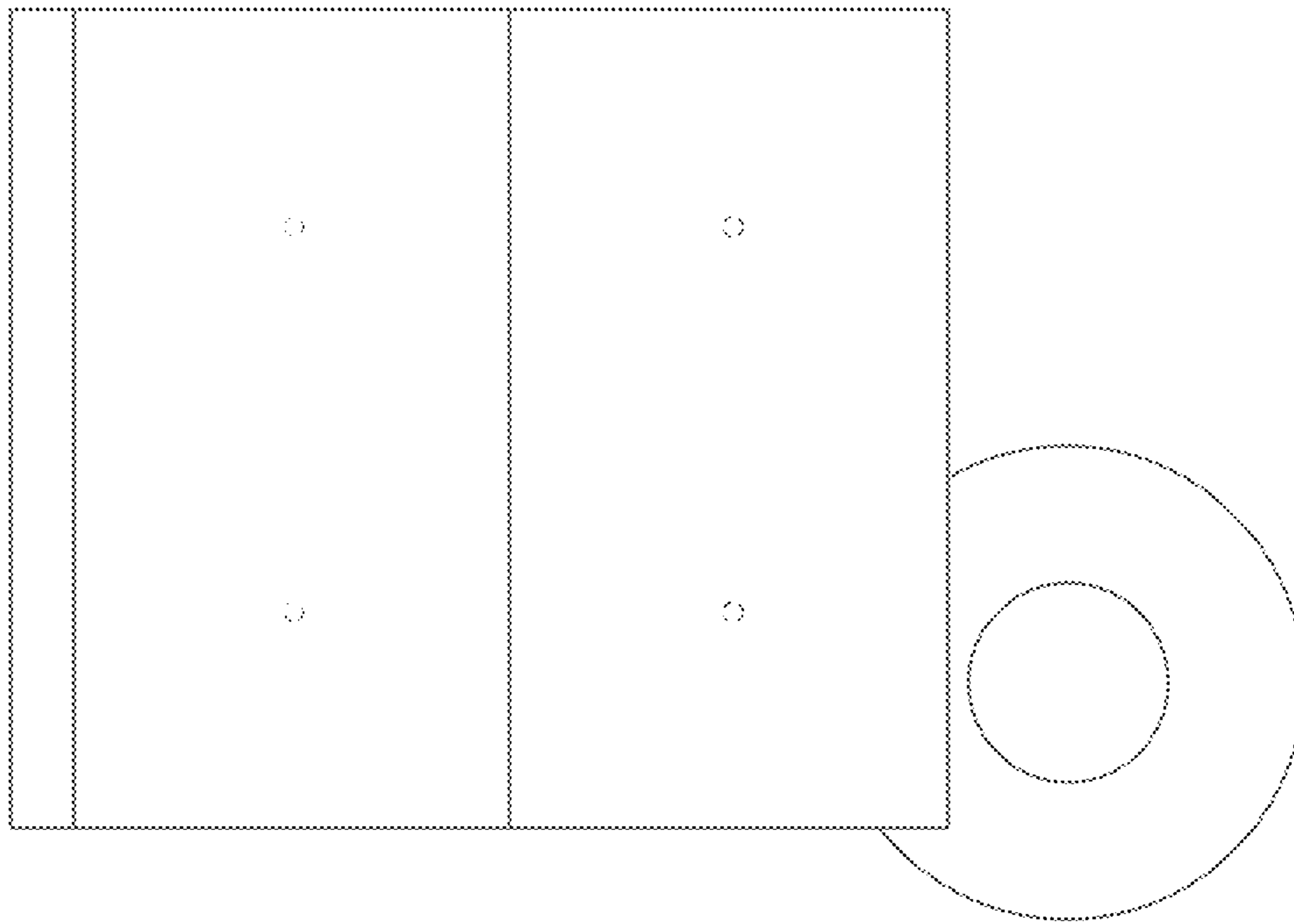


Fig. 7