



US00D928427S

(12) **United States Design Patent** (10) **Patent No.:** **US D928,427 S**
Guo (45) **Date of Patent:** **** Aug. 17, 2021**

(54) **CAT TREE TOWER**
(71) Applicant: **ZeShan Guo**, Jiangsu Province (CN)
(72) Inventor: **ZeShan Guo**, Jiangsu Province (CN)
(73) Assignee: **WENZHOU MIAOKU TRADING COMPANY LIMITED**, Zhejiang Province (CN)

2003/0192486 A1* 10/2003 DeRaspe-Bolles
A01K 15/024
119/706
2016/0360729 A1* 12/2016 Shi A01K 15/025
2019/0230896 A1* 8/2019 Goldman A01K 1/035

FOREIGN PATENT DOCUMENTS

EM 008372494-0001 * 12/2020

OTHER PUBLICATIONS

“Amazon JOYO Cat Tree” available Jul. 31, 2020, [online], [site visited Mar. 19, 2021]. Retrieved from Internet, URL: https://www.amazon.com/JOYO-Multi-Level-Sisal-Covered-Scratching-Furniture/dp/B08F1Y4QZK/ref=sr_1_3_sspa (Year: 2020).*
“Amazon BestPet Cat Tree Tower Condo Playground” available Aug. 19, 2019, [online], [site visited Mar. 19, 2021]. Retrieved from Internet, URL: https://www.amazon.com/dp/B07WFFFPY7/ref=sspa_dk_detail_6 (Year: 2019).*

(Continued)

Primary Examiner — W. A. Teddy Falloway
Assistant Examiner — Katrina N Gonzalez

(57) **CLAIM**

The ornamental design for a cat tree tower, as shown and described.

DESCRIPTION

FIG. 1 is a perspective view of a cat tree tower showing my new design;
FIG. 2 is a front elevation view thereof;
FIG. 3 is a top plan view thereof;
FIG. 4 is a left side elevation view thereof;
FIG. 5 is a rear elevation view thereof;
FIG. 6 is a right side elevation view thereof; and,
FIG. 7 is a bottom plan view thereof.

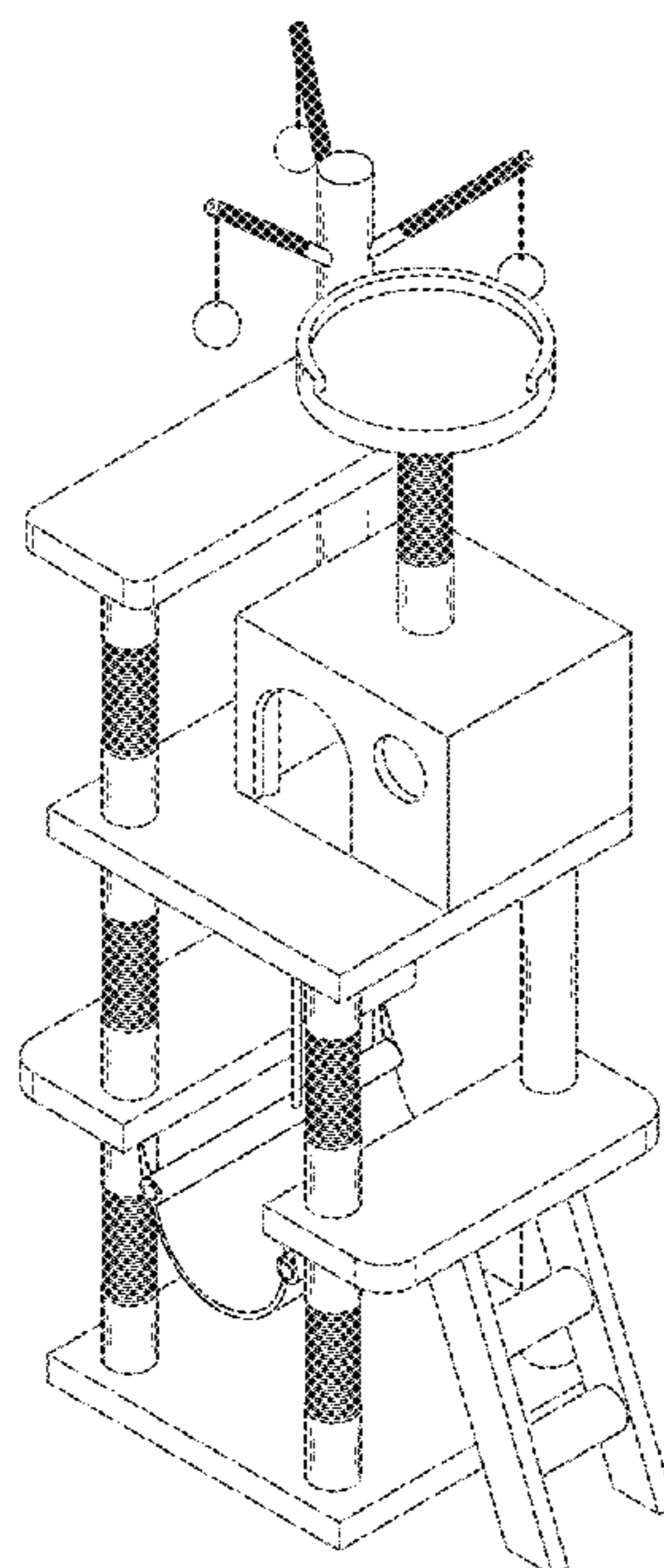
1 Claim, 7 Drawing Sheets

(**) Term: **15 Years**
(21) Appl. No.: **29/763,917**
(22) Filed: **Dec. 26, 2020**
(51) **LOC (13) Cl.** **30-99**
(52) **U.S. Cl.**
USPC **D30/160**
(58) **Field of Classification Search**
USPC D30/158, 160, 199; 119/702, 705, 706,
119/707
CPC ... A01K 15/024; A01K 15/025; A01K 15/027
See application file for complete search history.

(56) **References Cited**

U.S. PATENT DOCUMENTS

D257,293 S * 10/1980 Michalski D30/158
8,020,518 B1 * 9/2011 Reinke A01K 15/025
119/482
D846,206 S * 4/2019 He D30/160
D846,818 S * 4/2019 He D30/160
D881,482 S 4/2020 Jayne et al.
D883,585 S 5/2020 Song
D883,586 S * 5/2020 Song D30/160
D884,991 S 5/2020 Song
D885,691 S 5/2020 Song
D886,398 S 6/2020 Song
D891,712 S 7/2020 He
D908,984 S * 1/2021 Roost D30/160



(56)

References Cited

OTHER PUBLICATIONS

“Go Pet Club 62-Inch Cat Tree” available Apr. 15, 2012, [online], [site visited Mar. 19, 2021]. Retrieved from Internet, URL:https://www.amazon.com/Go-Pet-Club-Condo-Furniture/dp/B007UI47PY/ref=sr_1_2 (Year: 2012).*

“Amazon Xinkunmarine Multi-Level Cat Activity Tree” available Nov. 24, 2020, [online], [site visited Mar. 19, 2021]. Retrieved from Internet, URL:https://www.amazon.com/dp/B08P2JPJK/ref=sspa_dk_detail_9 (Year: 2020).*

“Amazon FEANDREA Cat Tree” available Aug. 10, 2020, [online], [site visited Mar. 19, 2021]. Retrieved from Internet, URL: https://www.amazon.com/dp/B08FJ3D7HS/ref=sspa_dk_detail_3 (Year: 2020).*

* cited by examiner

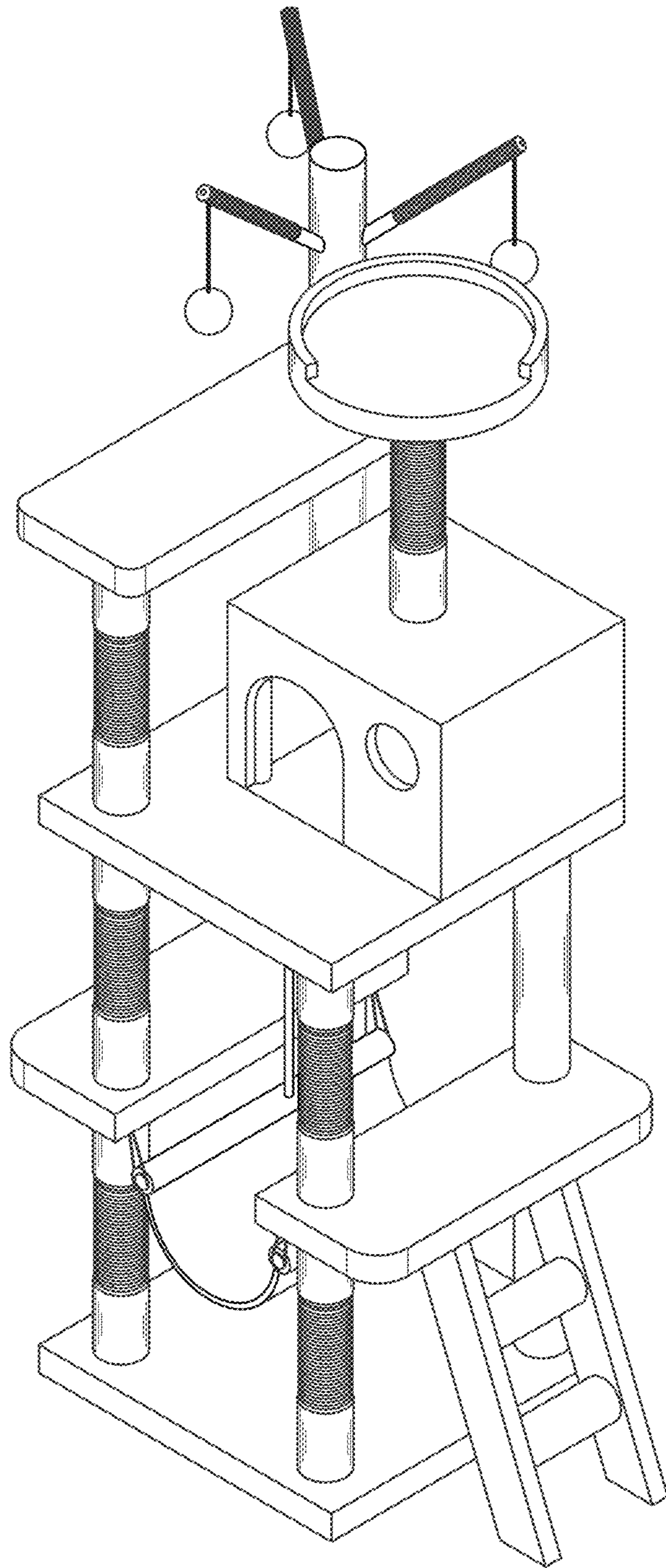


FIG. 1

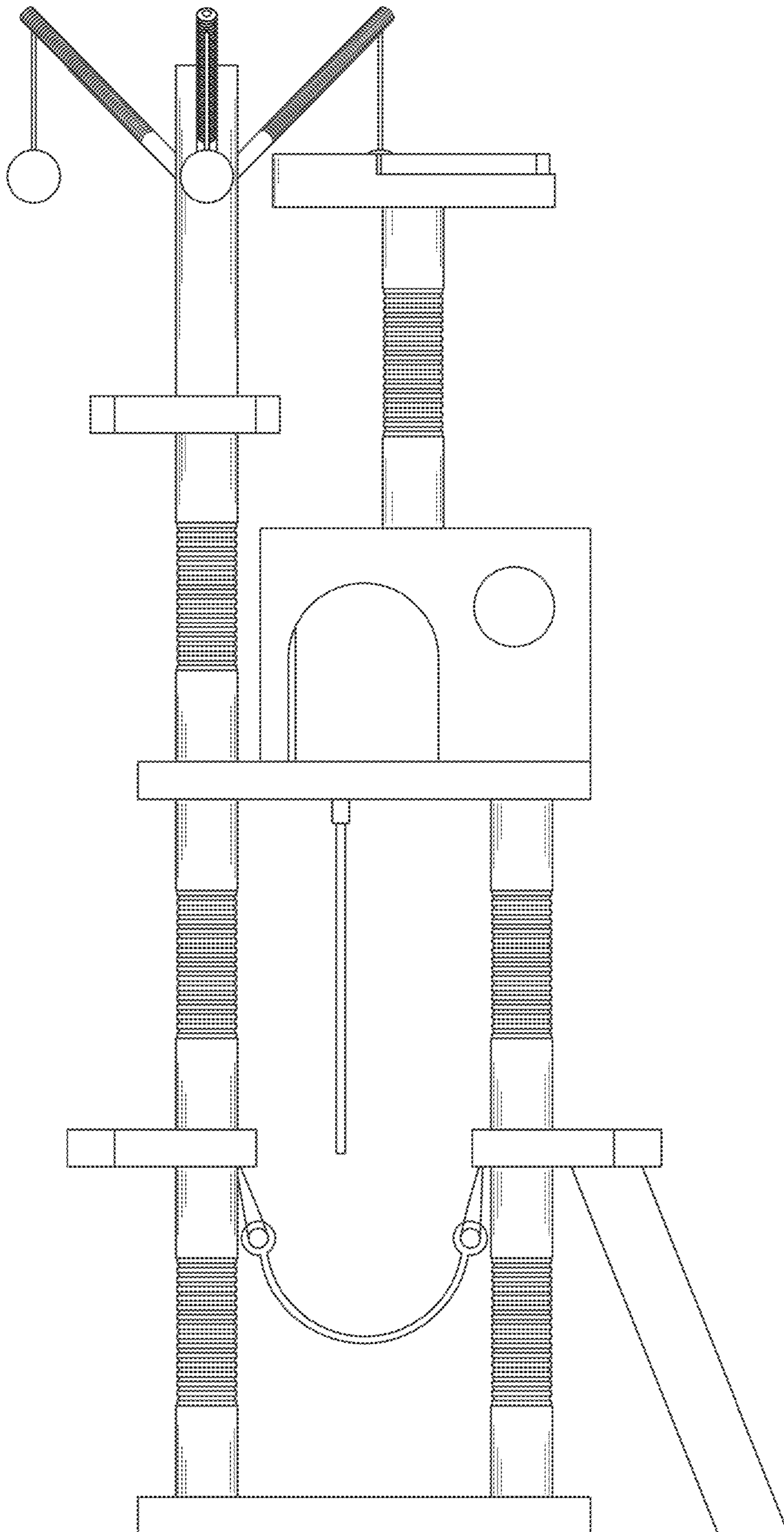


FIG. 2

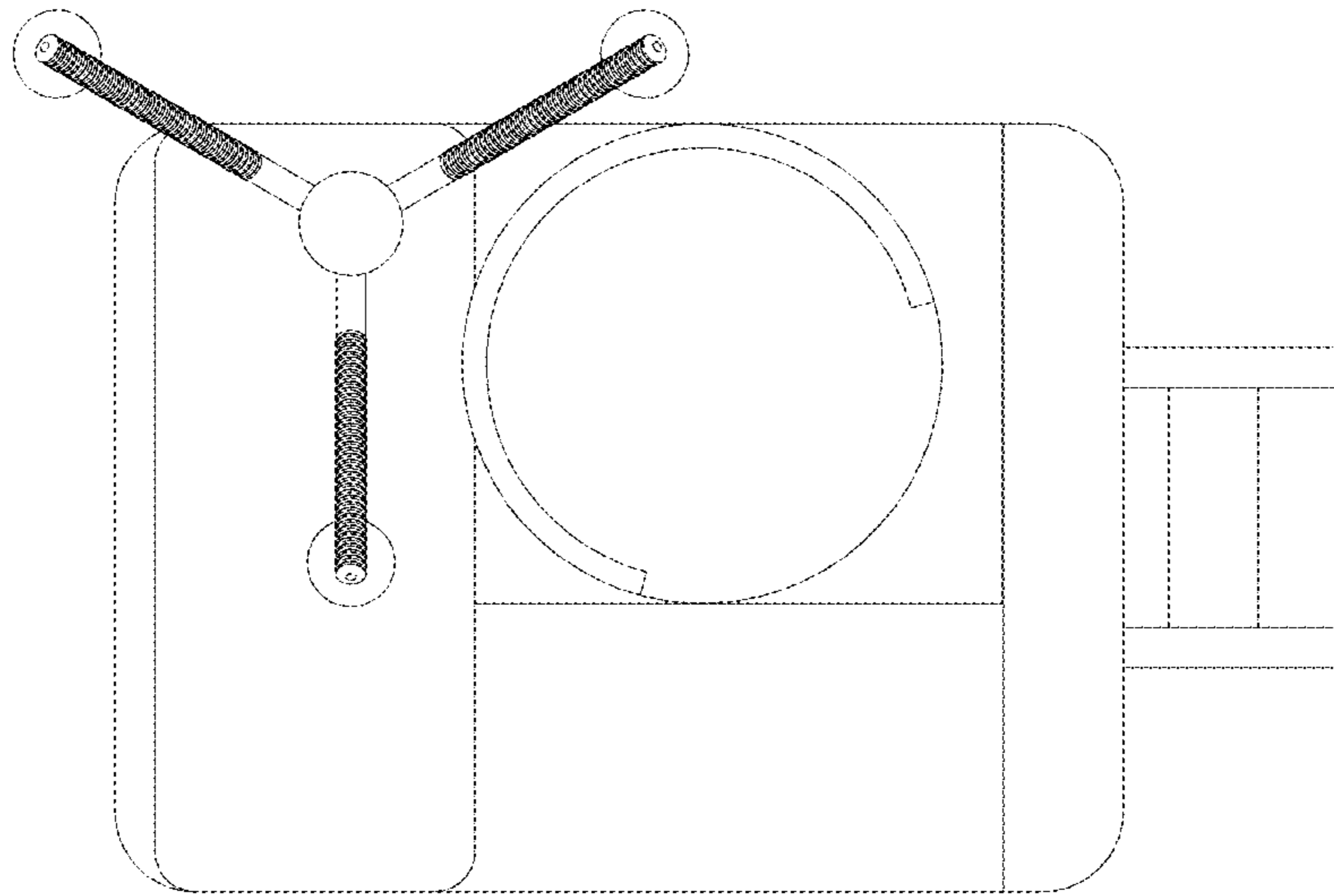


FIG. 3

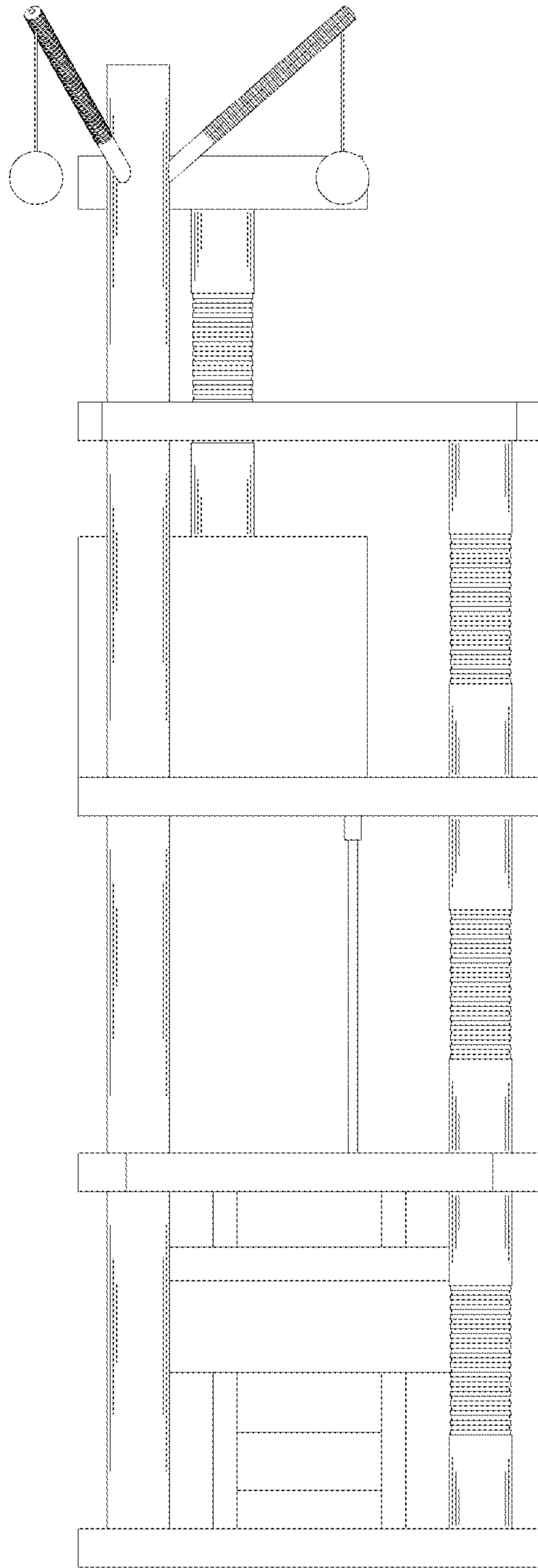


FIG. 4

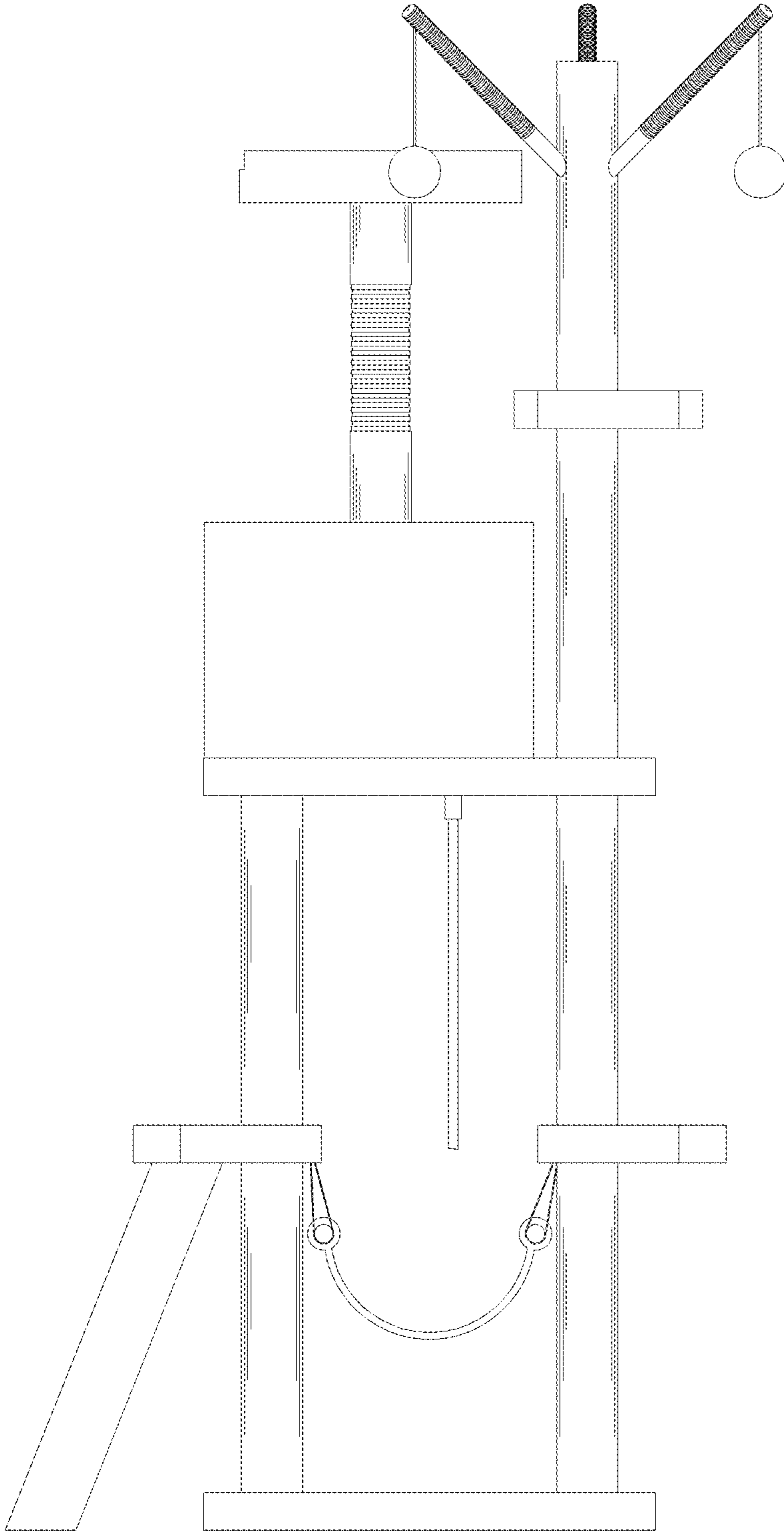


FIG. 5

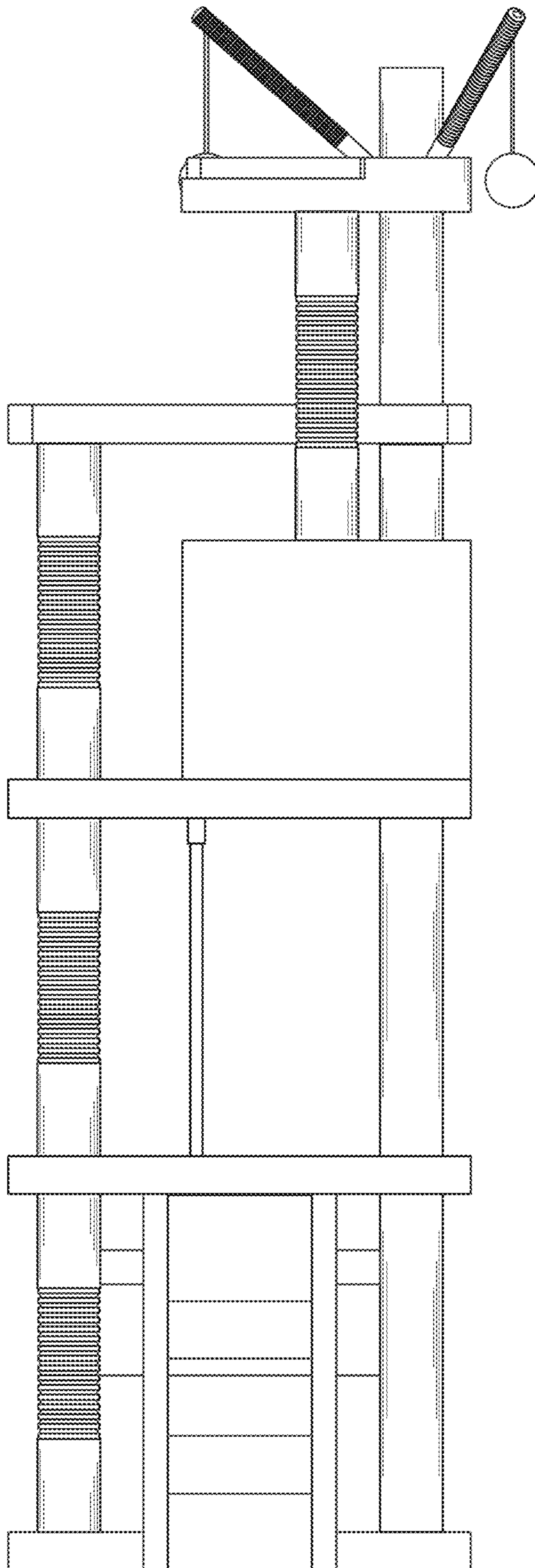


FIG. 6

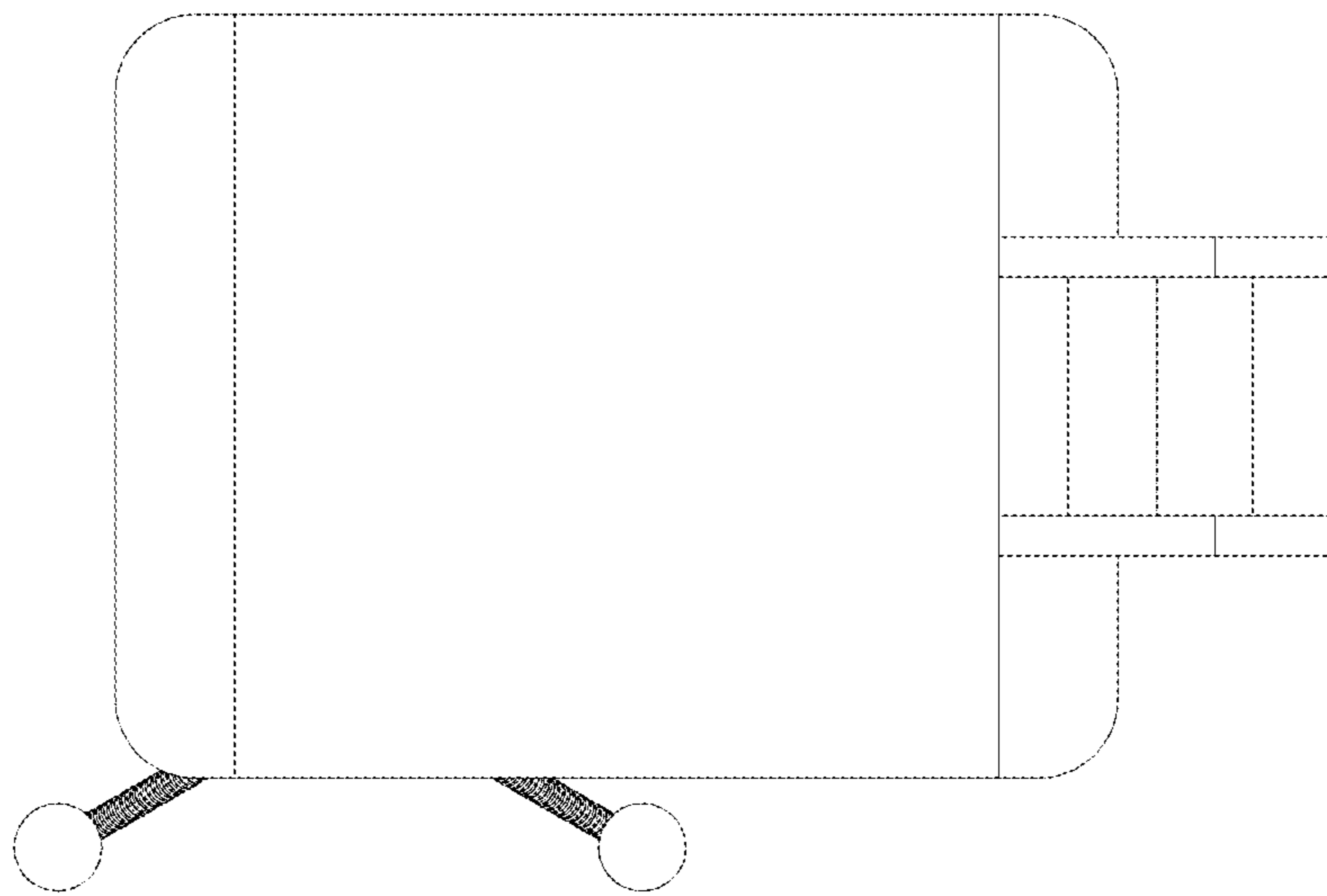


FIG. 7