



US00D928424S

(12) **United States Design Patent**
Waddick

(10) **Patent No.:** **US D928,424 S**

(45) **Date of Patent:** **** *Aug. 17, 2021**

(54) **GPS TRACKING PET COLLAR**

(71) Applicant: **Martin Waddick**, Indianapolis, IN (US)

(72) Inventor: **Martin Waddick**, Indianapolis, IN (US)

(*) Notice: This patent is subject to a terminal disclaimer.

(**) Term: **15 Years**

(21) Appl. No.: **29/597,756**

(22) Filed: **Mar. 20, 2017**

(51) **LOC (13) Cl.** **30-04**

(52) **U.S. Cl.**
USPC **D30/152**

(58) **Field of Classification Search**

USPC D30/152, 199; D11/79, 86, 87, 200–201, D11/206–210, 214–216, 222–223, 226, D11/230–238; D10/30, 40, 70, 50, 52, D10/60, 61, 104.1, 104.2; D14/344, 242, D14/203.1, 203.3, 203.5; D24/186, 191; D16/208, 219, 201; D2/321, 624, 627, D2/639–640; 119/863; 24/178

CPC A01K 11/006; A01K 11/008; A01K 13/00; A01K 15/021; A01K 15/022; A01K 27/00; A01K 27/001; A01K 27/005; A01K 27/009; A01K 27/008; A01K 27/006; A01K 29/00

See application file for complete search history.

(56) **References Cited**

U.S. PATENT DOCUMENTS

D356,516 S * 3/1995 Price D10/104.1
5,443,039 A * 8/1995 Suchowski A01K 27/005
119/792
5,604,478 A * 2/1997 Grady A01K 15/02
119/174
D400,458 S * 11/1998 Titus D10/104.1
D417,039 S * 11/1999 Smith D30/152
6,016,772 A * 1/2000 Noyes A01K 5/0114
119/61.56
D467,393 S * 12/2002 Warden D30/155

D481,176 S * 10/2003 Kellner D16/208
7,021,247 B1 * 4/2006 Seeno A01K 15/02
119/859
D523,999 S * 6/2006 Olson D30/152
7,114,466 B1 * 10/2006 Mayer A01K 15/023
119/720
D589,660 S * 3/2009 Tolentino-Swem D30/153
D591,162 S * 4/2009 Slabaugh D9/414
D614,074 S * 4/2010 Castaline D11/79
D631,392 S * 1/2011 Lawson D11/213
D640,151 S * 6/2011 Hill D10/65

(Continued)

FOREIGN PATENT DOCUMENTS

JP D1477377 * 8/2013

OTHER PUBLICATIONS

Paw Tracker, published Feb. 11, 2015 [online], [retrieved Oct. 25, 2018], Available from Internet, URL: <<https://www.thepawtracker.com/blogs/the-pet-tracker-blog-by-the-paw-tracker/84621315-top-13-gps-pet-trackers-dog-and-cat-cell-phones-best-of-2016-reviewed>>.*

Primary Examiner — Barbara Fox
Assistant Examiner — Mary C Ramirez

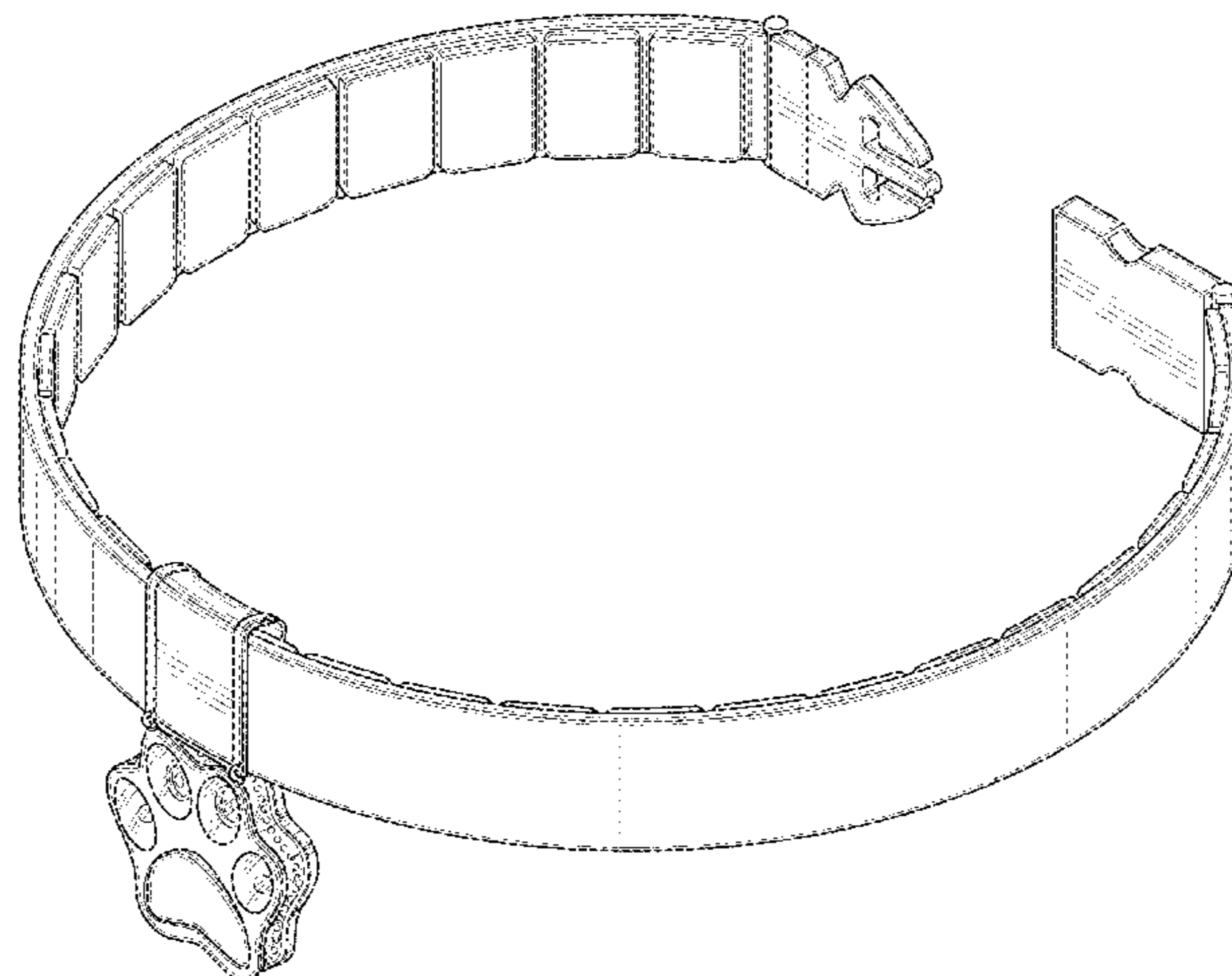
(57) **CLAIM**

The ornamental design for a GPS tracking pet collar, as shown.

DESCRIPTION

FIG. 1 is a front, right perspective view a GPS tracking dog collar showing the new design;
FIG. 2 is a front view thereof;
FIG. 3 is a rear view thereof;
FIG. 4 is a left view thereof;
FIG. 5 is a right view thereof;
FIG. 6 is a top view thereof; and,
FIG. 7 is a bottom view thereof.

1 Claim, 5 Drawing Sheets



(56)

References Cited

U.S. PATENT DOCUMENTS

D654,245 S * 2/2012 School D99/5
D708,794 S * 7/2014 Monsalve D30/152
D713,404 S * 9/2014 Green D14/344
D757,374 S * 5/2016 Breit D30/133
D758,219 S * 6/2016 Akana D10/39
D788,626 S * 6/2017 Song D11/4
D790,372 S * 6/2017 Daoura D10/104.1
D792,243 S * 7/2017 Laucella D10/30
D805,413 S * 12/2017 Chen D10/70
D818,385 S * 5/2018 Barovic D10/106.9
2005/0277855 A1 * 12/2005 Tanaka A01K 15/022
601/46
2012/0252486 A1 * 10/2012 Lopez A01K 15/021
455/456.1
2013/0269628 A1 * 10/2013 Holt, Jr. A01K 27/001
119/792
2015/0342149 A1 * 12/2015 Lutz A01K 27/006
119/859
2016/0242393 A1 * 8/2016 Kennedy A01K 27/001
2017/0013808 A1 * 1/2017 Leavenworth A01K 11/008
2017/0280703 A1 * 10/2017 Schnur G08B 25/10
2018/0027929 A1 * 2/2018 Renforth A44B 11/266

* cited by examiner

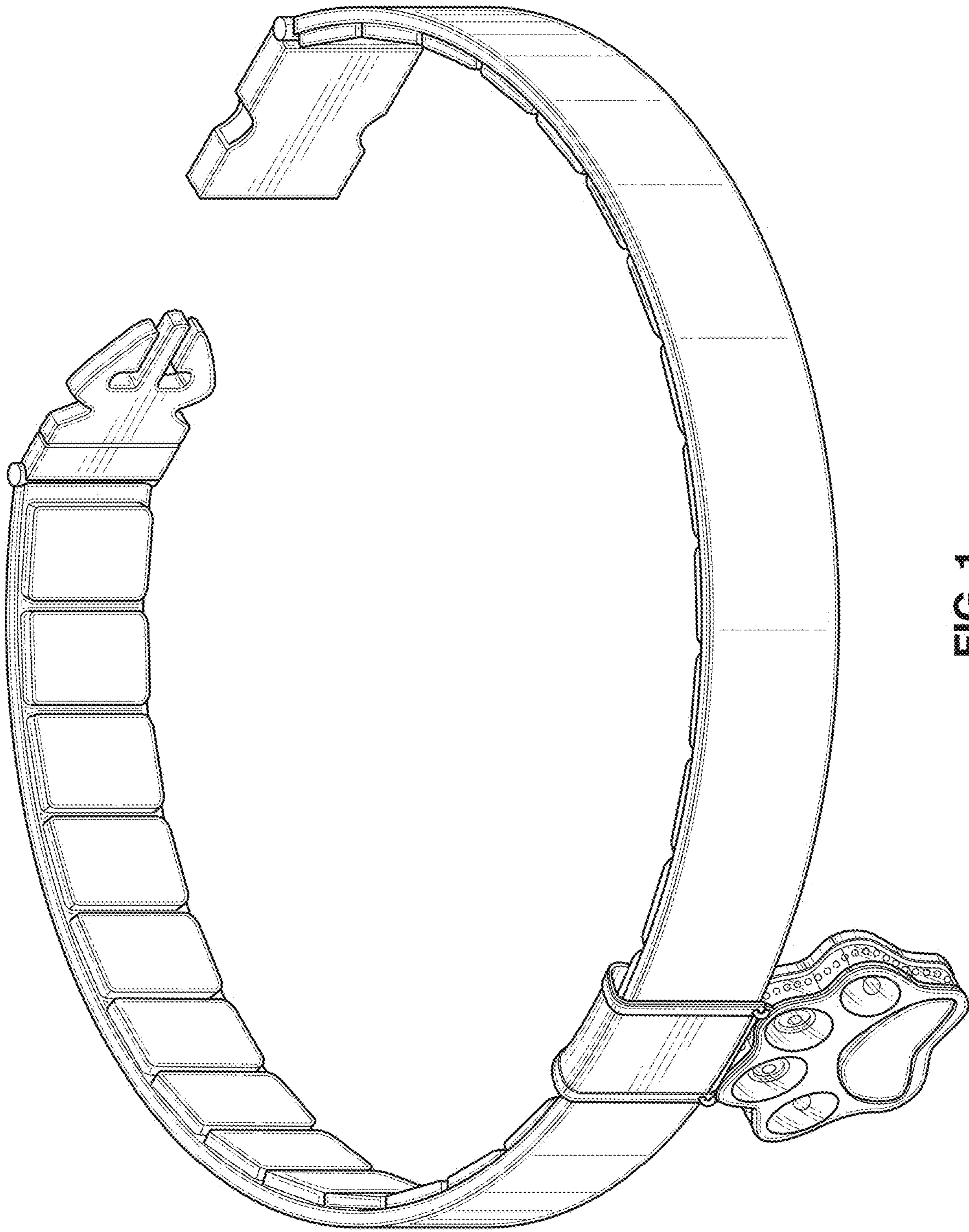


FIG. 1

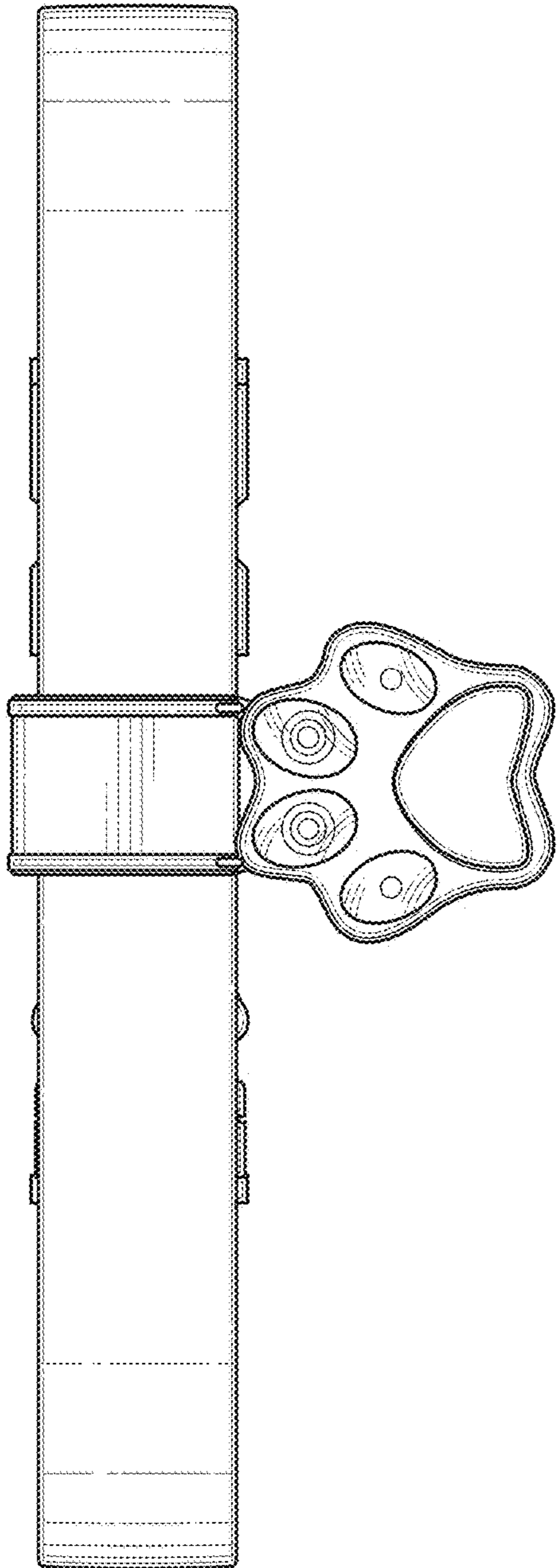


FIG. 2

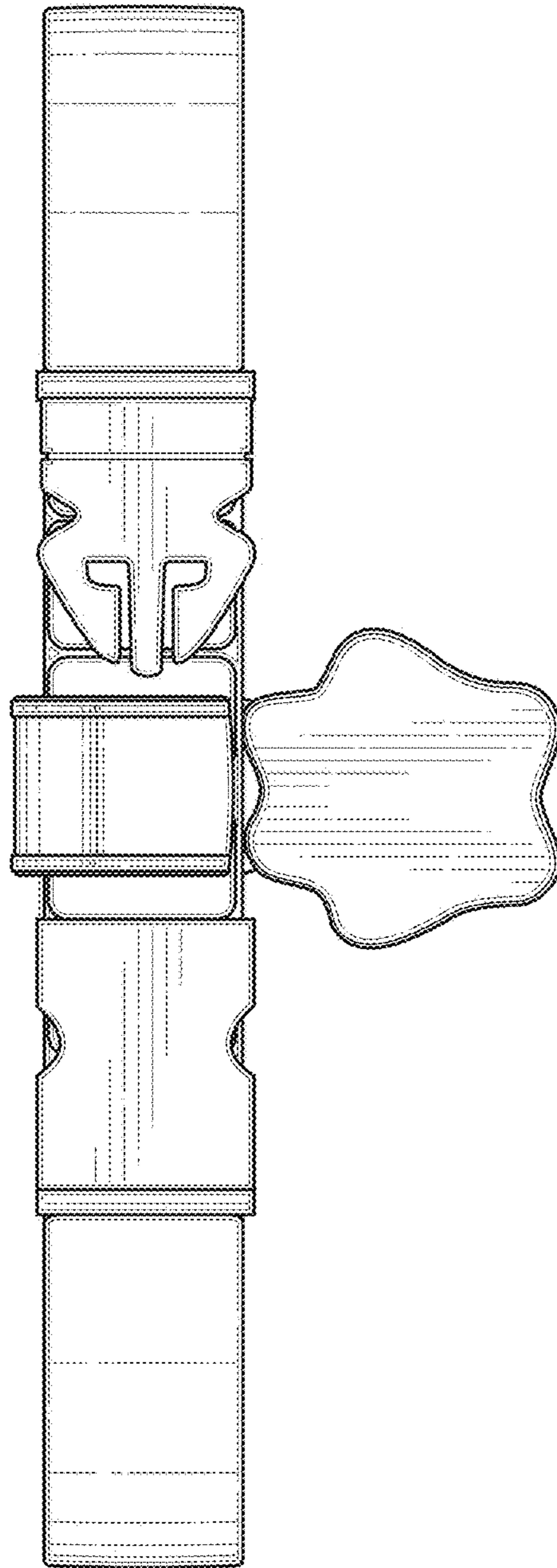


FIG. 3

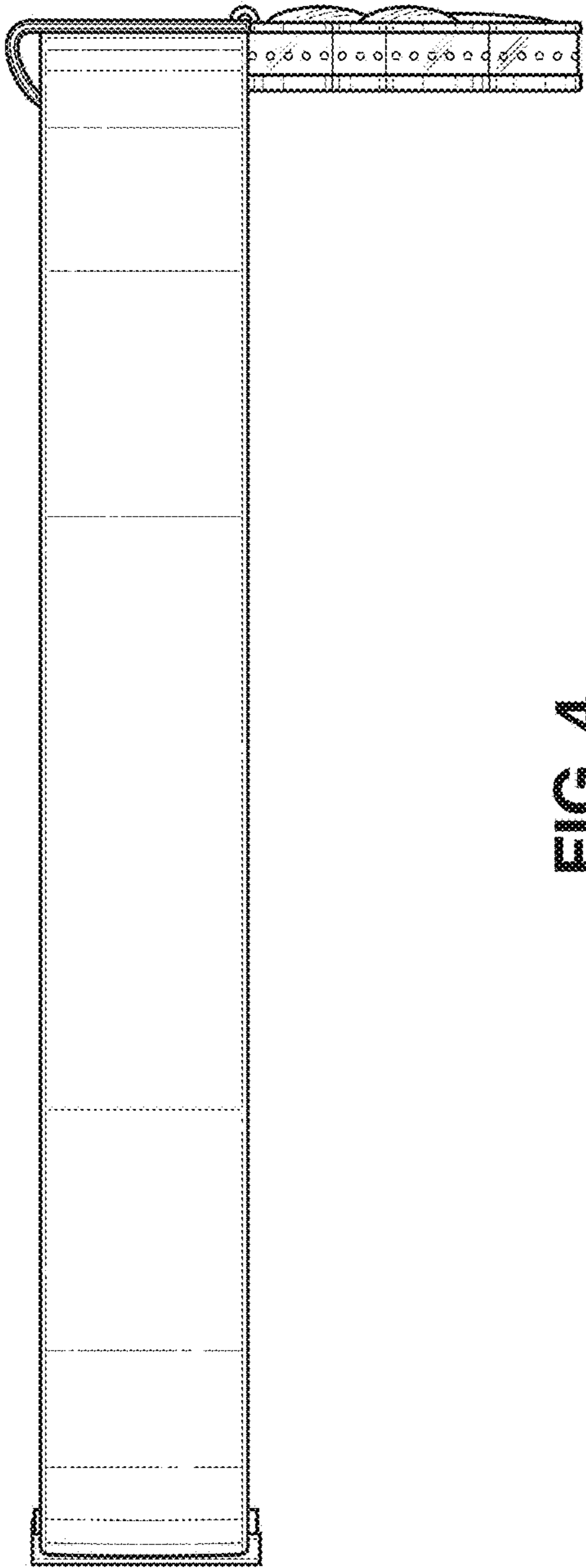


FIG. 4

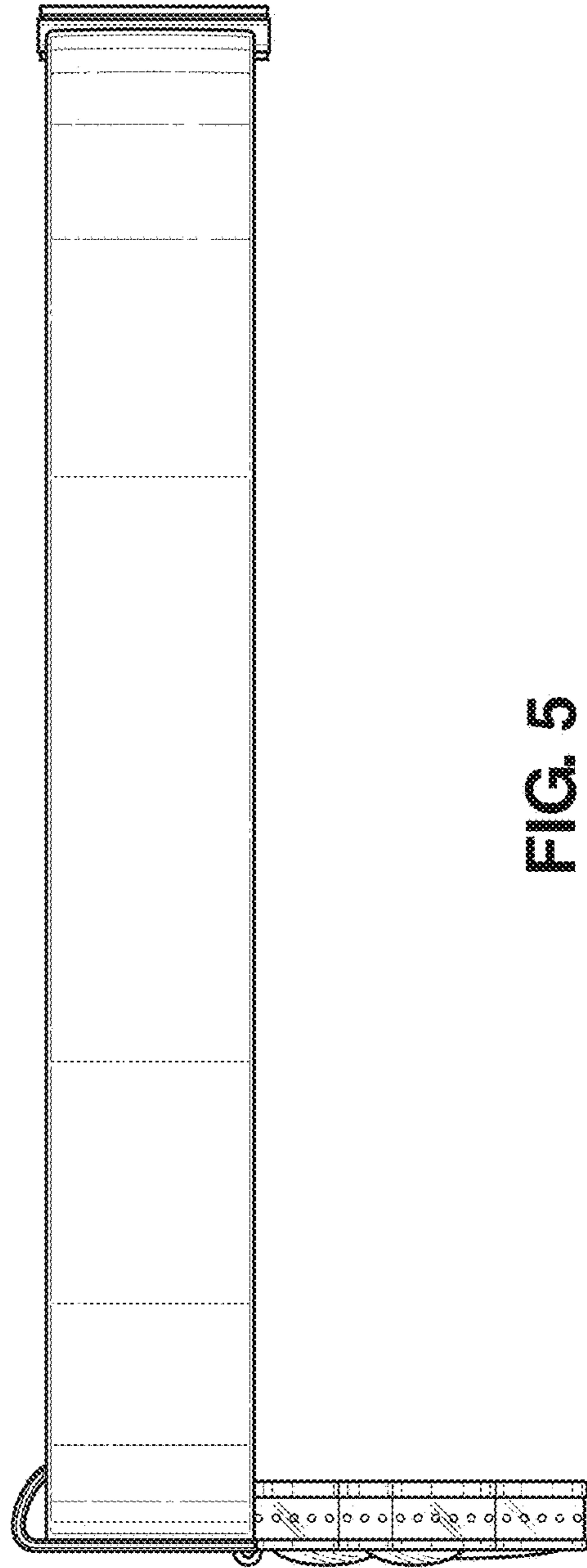


FIG. 5

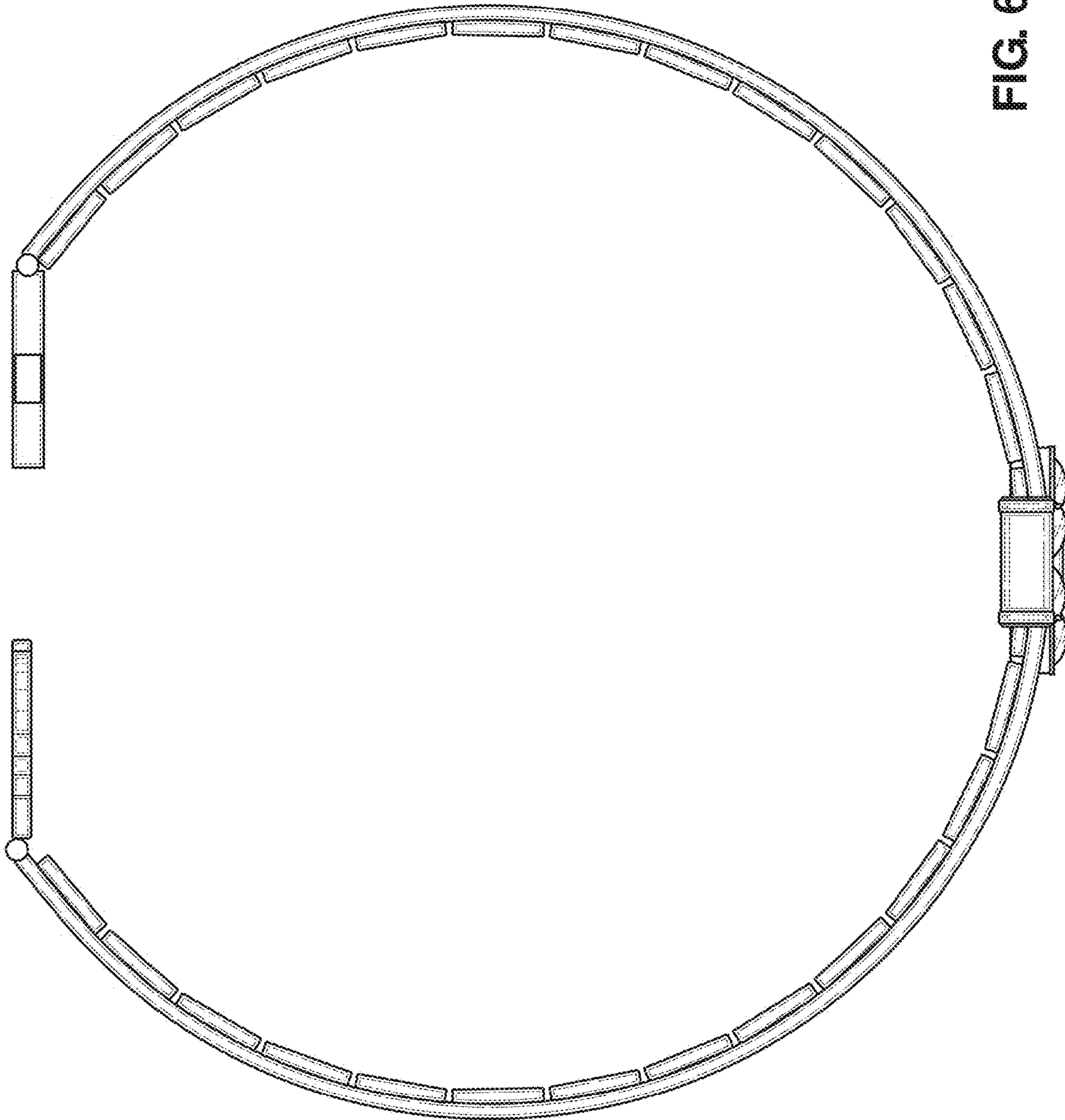


FIG. 6

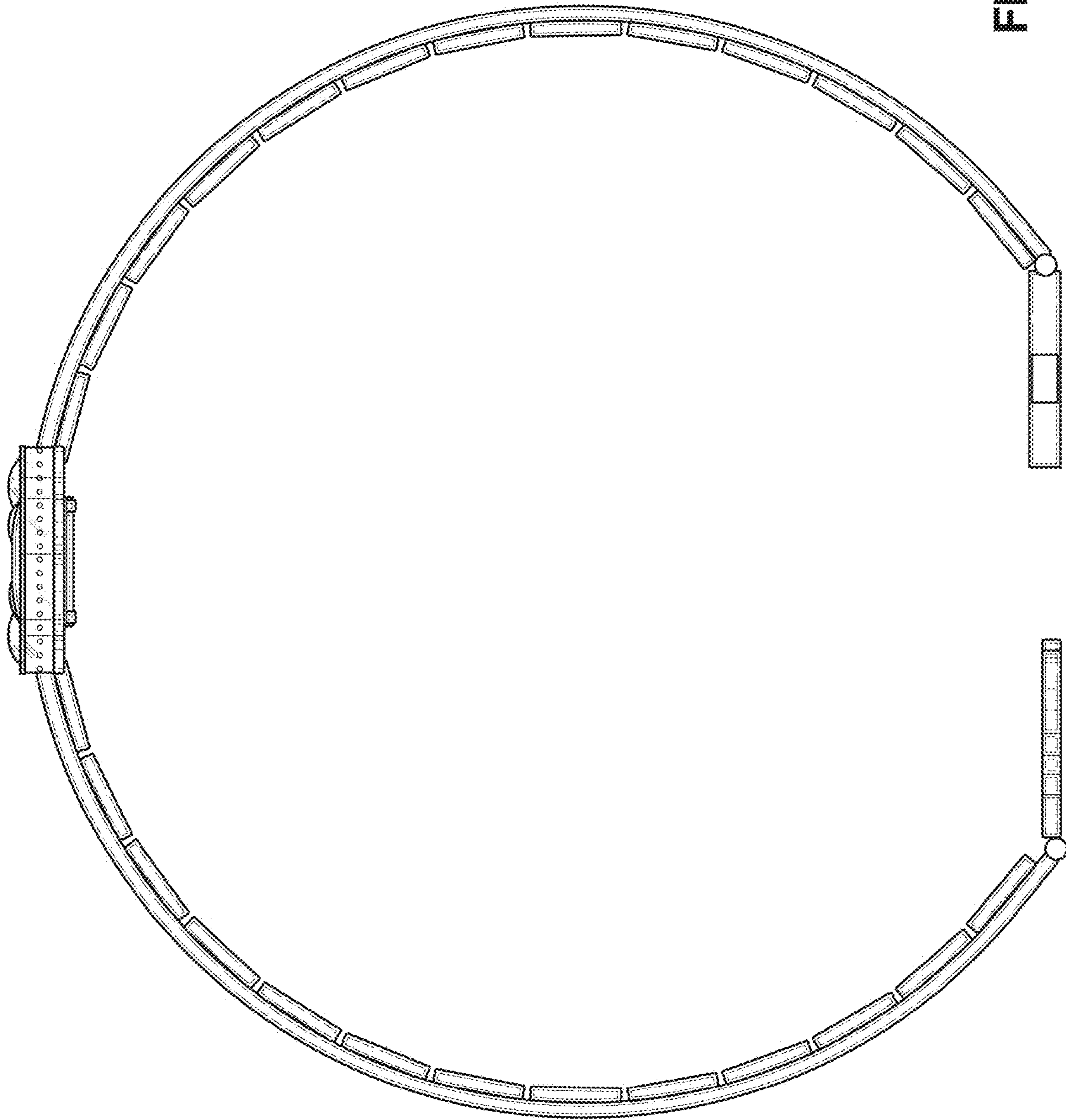


FIG. 7