



US00D928420S

(12) **United States Design Patent** (10) **Patent No.:** **US D928,420 S**
Xu (45) **Date of Patent:** **** Aug. 17, 2021**

(54) **PET BED** 6,385,800 B1 * 5/2002 Chen A47D 13/063
5/93.1
(71) Applicant: **Wuhan Lewei E-Commerce Co., Ltd.,** 6,874,177 B2 * 4/2005 Hsia A47D 7/03
Wuhan (CN) 5/93.1
(72) Inventor: **Wei Xu, Wuhan (CN)** D589,656 S 3/2009 Toltzman et al.
D591,912 S 5/2009 Drew
8,919,284 B2 * 12/2014 Wolfe, Jr. A01K 15/02
119/28.5
(73) Assignee: **Wuhan Lewei E-Commerce Co., Ltd.,** D724,793 S 3/2015 Hansen
Wuhan (CN) D729,986 S 5/2015 Drew
D736,479 S * 8/2015 Robinson D30/118
D809,216 S * 1/2018 French D30/118
D866,995 S * 11/2019 Perrin D6/331
(**) Term: **15 Years** 2006/0174406 A1 * 8/2006 Yang A47D 13/063
5/99.1
(21) Appl. No.: **29/746,137**

(22) Filed: **Aug. 12, 2020**
(51) **LOC (13) Cl.** **30-06**
(52) **U.S. Cl.**
USPC **D30/118**
(58) **Field of Classification Search**
USPC D30/118-119, 158, 160; D21/520;
D6/349, 382, 595-605, 610-611
CPC A01K 1/00; A01K 1/0272; A01K 1/0353;
A01K 1/035
See application file for complete search history.

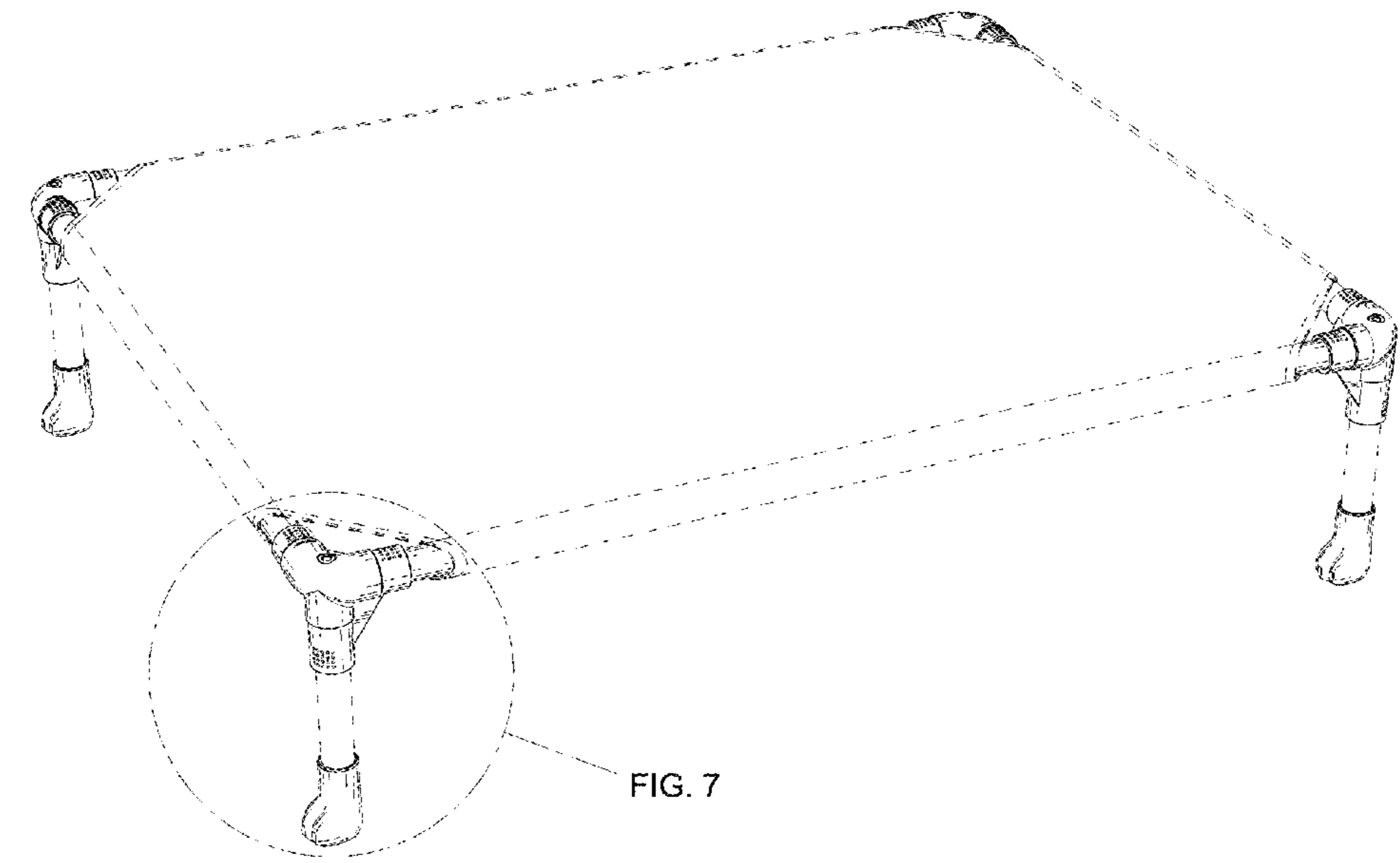
(56) **References Cited**
U.S. PATENT DOCUMENTS
1,820,284 A * 8/1931 Mills A01K 1/0353
119/28.5
1,820,285 A * 8/1931 Mills A47C 19/12
5/187
2,871,489 A * 2/1959 Emmert A47C 17/70
5/114
D379,682 S * 6/1997 Rafaat D21/797
5,991,944 A * 11/1999 Yang A47D 7/04
5/99.1
5,992,348 A * 11/1999 Harding A47C 23/26
119/28.5
D431,695 S * 10/2000 Burt D30/118
6,343,390 B1 * 2/2002 Yang A47D 13/063
5/98.1

(Continued)
Primary Examiner — Sheryl Lane
Assistant Examiner — Aula Soroush
(74) *Attorney, Agent, or Firm* — Bayramoglu Law Offices
LLC

(57) **CLAIM**
The ornamental design for a pet bed, as shown and
described.

DESCRIPTION
FIG. 1 is a perspective view of a pet bed showing my new
design;
FIG. 2 is a top plan view thereof;
FIG. 3 is a bottom plan view thereof;
FIG. 4 is a front elevation view thereof;
FIG. 5 is a right side elevation view thereof;
FIG. 6 is a left side elevation view thereof; and,
FIG. 7 is a partially enlarged view indicating the circled area
in FIG. 1.
The broken lines depict portions of the pet bed in which the
design is embodied that form no part of the claimed design.
The dot-dash broken lines indicating an enlargement portion
of the design form no part of the claimed design.

1 Claim, 7 Drawing Sheets



(56)

References Cited

U.S. PATENT DOCUMENTS

2006/0225208 A1* 10/2006 Chen A47D 13/063
5/99.1

* cited by examiner

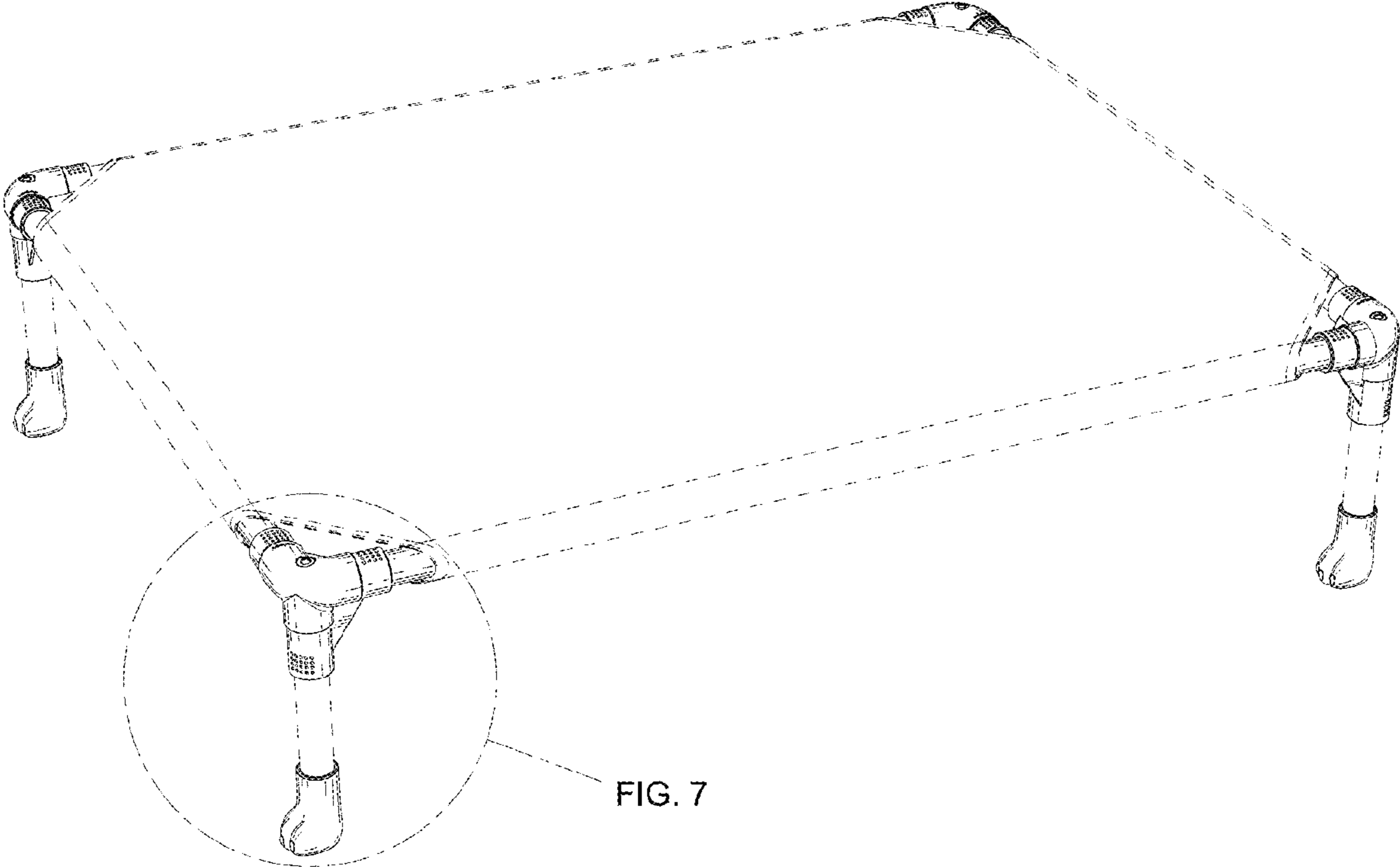


FIG. 7

FIG. 1



FIG. 2

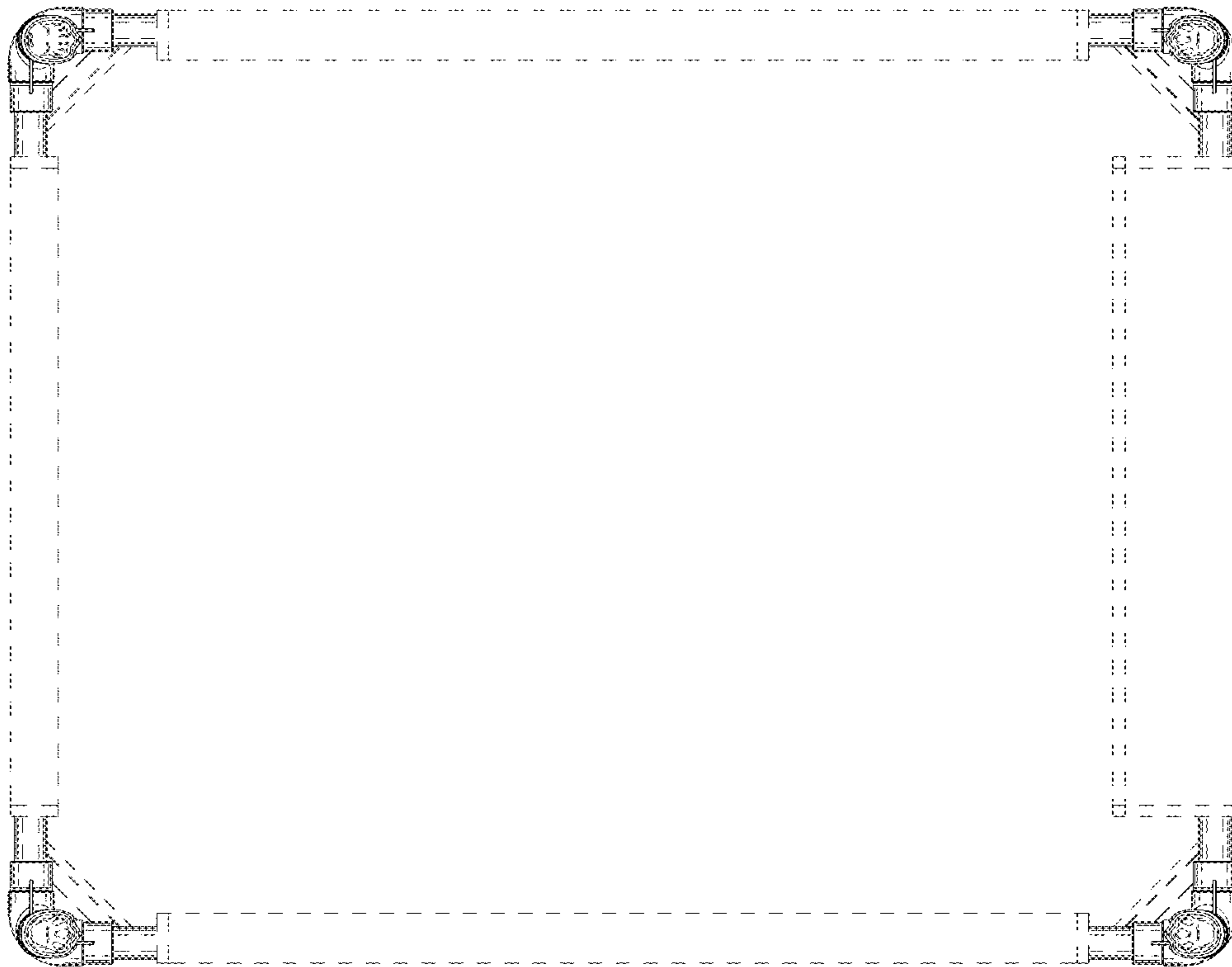


FIG. 3

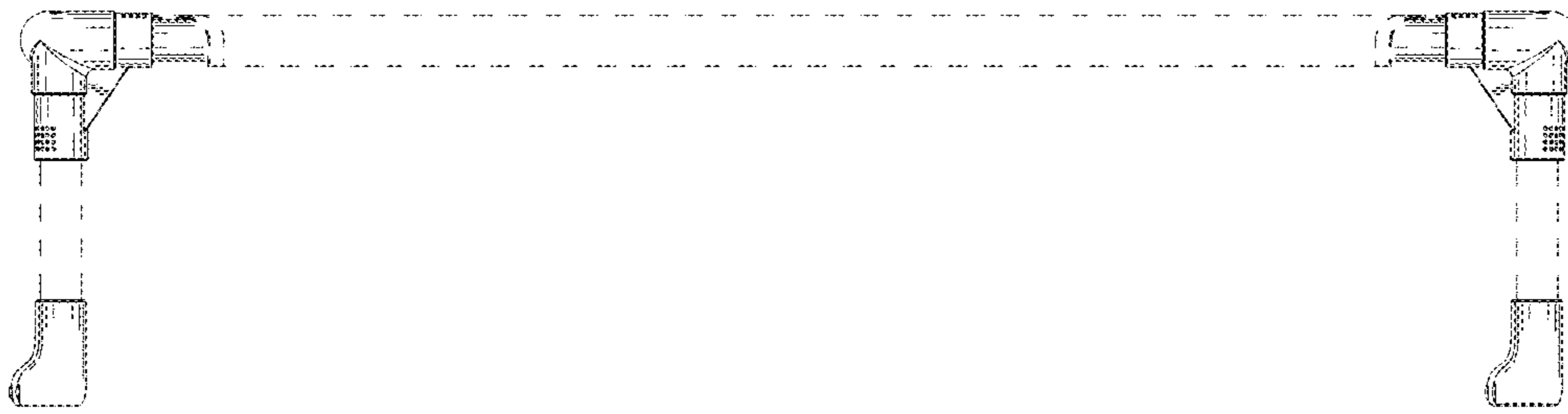


FIG. 4

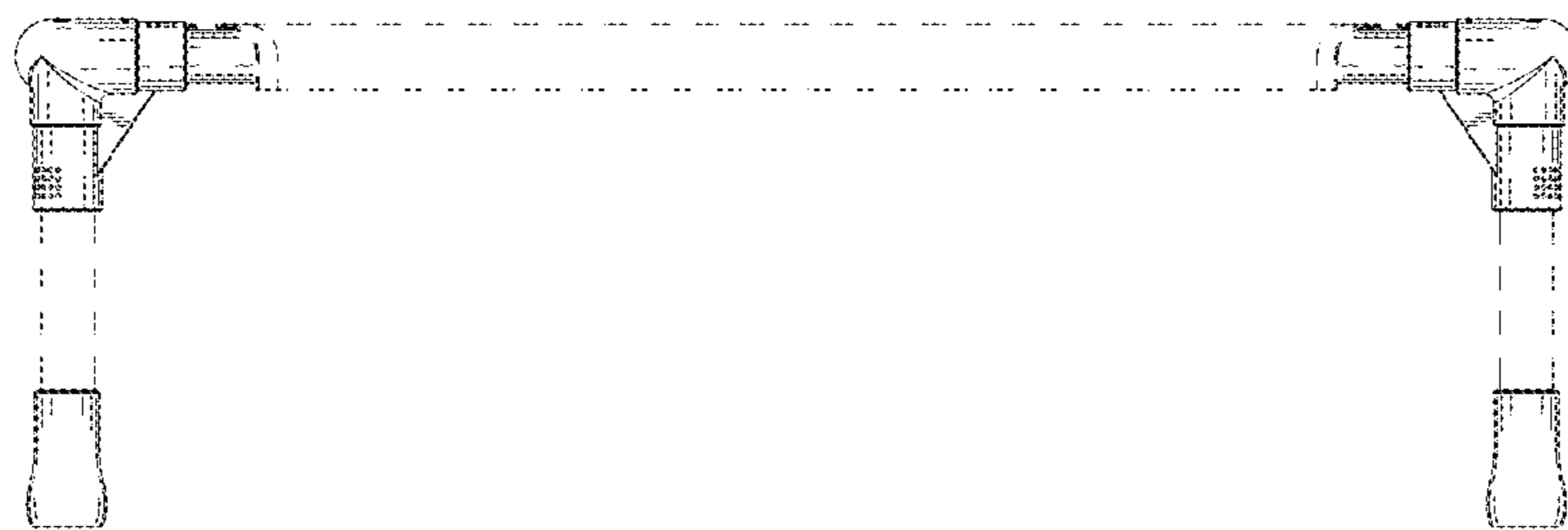


FIG. 5

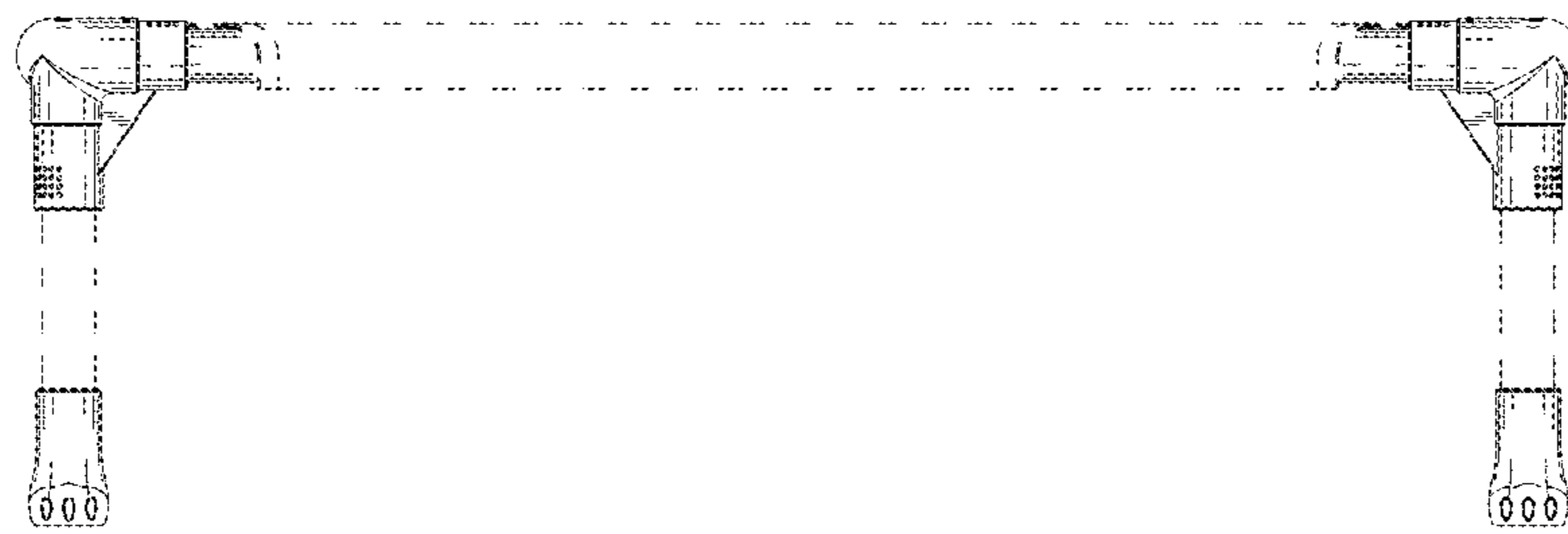


FIG. 6

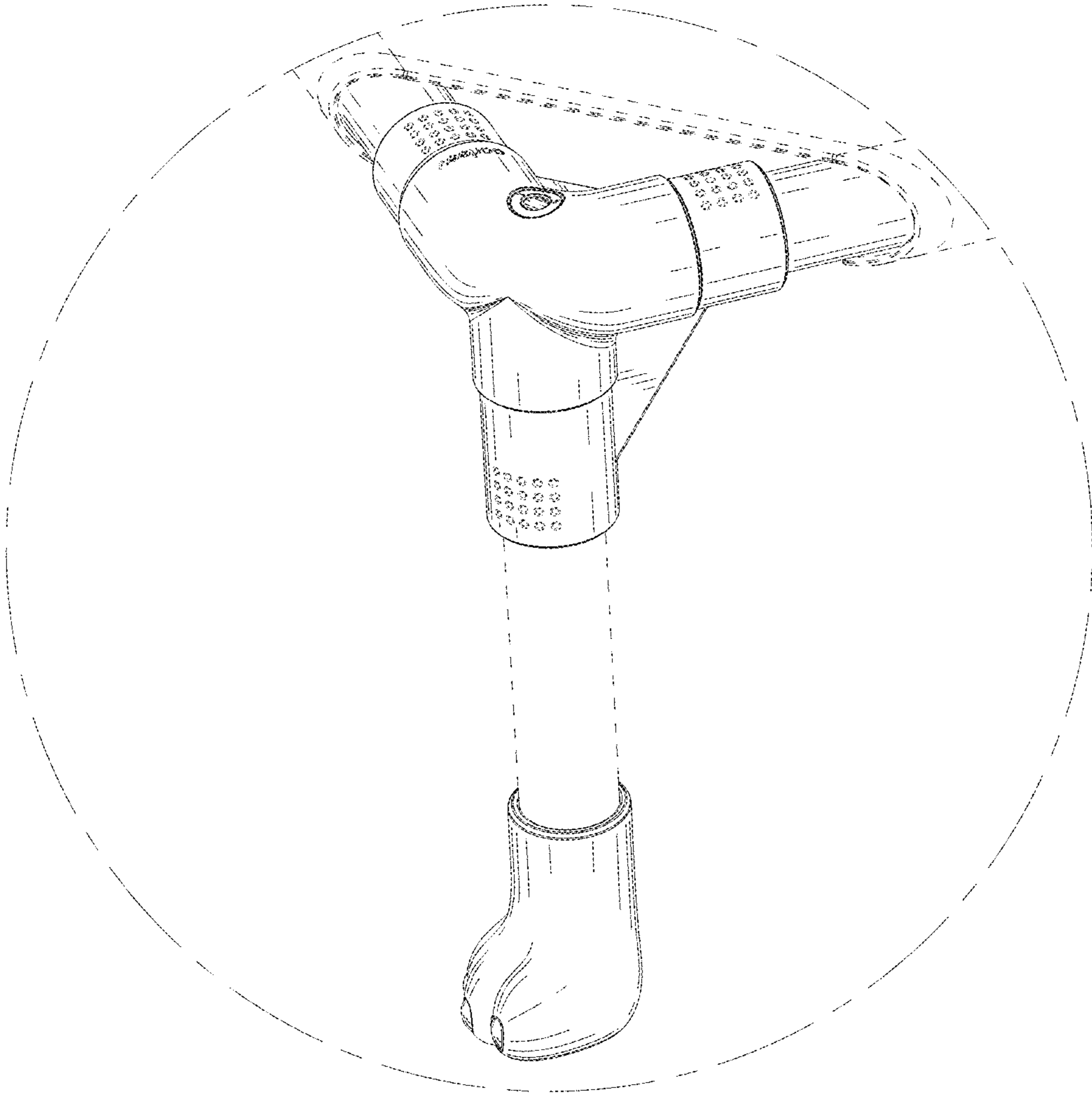


FIG. 7