



US00D928419S

(12) **United States Design Patent**
Koskey, Jr.

(10) **Patent No.:** **US D928,419 S**

(45) **Date of Patent:** **** Aug. 17, 2021**

- (54) **THERMAL BOLSTER BED**
- (71) Applicant: **K&H Manufacturing, LLC**, Colorado Springs, CO (US)
- (72) Inventor: **James Donald Koskey, Jr.**, Colorado Springs, CO (US)
- (73) Assignee: **K&H MANUFACTURING, LLC.**, Colorado Springs, CO (US)
- (**) Term: **15 Years**
- (21) Appl. No.: **29/644,004**
- (22) Filed: **Apr. 13, 2018**
- (51) **LOC (13) Cl.** **30-06**
- (52) **U.S. Cl.**
USPC **D30/118**
- (58) **Field of Classification Search**
USPC D30/118-119, 158, 160; D21/520;
D6/601, 349, 595-597, 604, 382; D2/719
CPC A01K 1/00; A01K 1/0272; A01K 1/0353;
A01K 1/035
See application file for complete search history.

- D809,715 S * 2/2018 Song D30/118
- D818,652 S * 5/2018 Song D30/118
- D818,653 S * 5/2018 Song D30/118
- D822,910 S * 7/2018 Pelz D30/118
- D822,911 S * 7/2018 Menayan D30/118
- 2014/0230735 A1* 8/2014 Coulter A01K 1/0353
119/28.5
- 2017/0258036 A1* 9/2017 Galloway A01K 1/0353

* cited by examiner

Primary Examiner — Sheryl Lane

Assistant Examiner — Aula Soroush

(74) *Attorney, Agent, or Firm* — Ice Miller, LLP

(57) **CLAIM**

I claim the ornamental design for a thermal bolster bed, as shown and described.

DESCRIPTION

FIG. 1 is a top right perspective view of a thermal bolster bed showing my new design;
 FIG. 2 is a perspective exploded view of the thermal bolster bed of FIG. 1;
 FIG. 3 is a front side perspective exploded view of the thermal bolster bed of FIG. 1;
 FIG. 4 is a rear side perspective exploded view of the thermal bolster bed of FIG. 1;
 FIG. 5 is a left side perspective exploded view of the thermal bolster bed of FIG. 1;
 FIG. 6 is a right side perspective exploded view of the thermal bolster bed of FIG. 1;
 FIG. 7 is a top perspective exploded view of the thermal bolster bed of FIG. 1; and,
 FIG. 8 is a bottom perspective exploded view of the thermal bolster bed of FIG. 1.

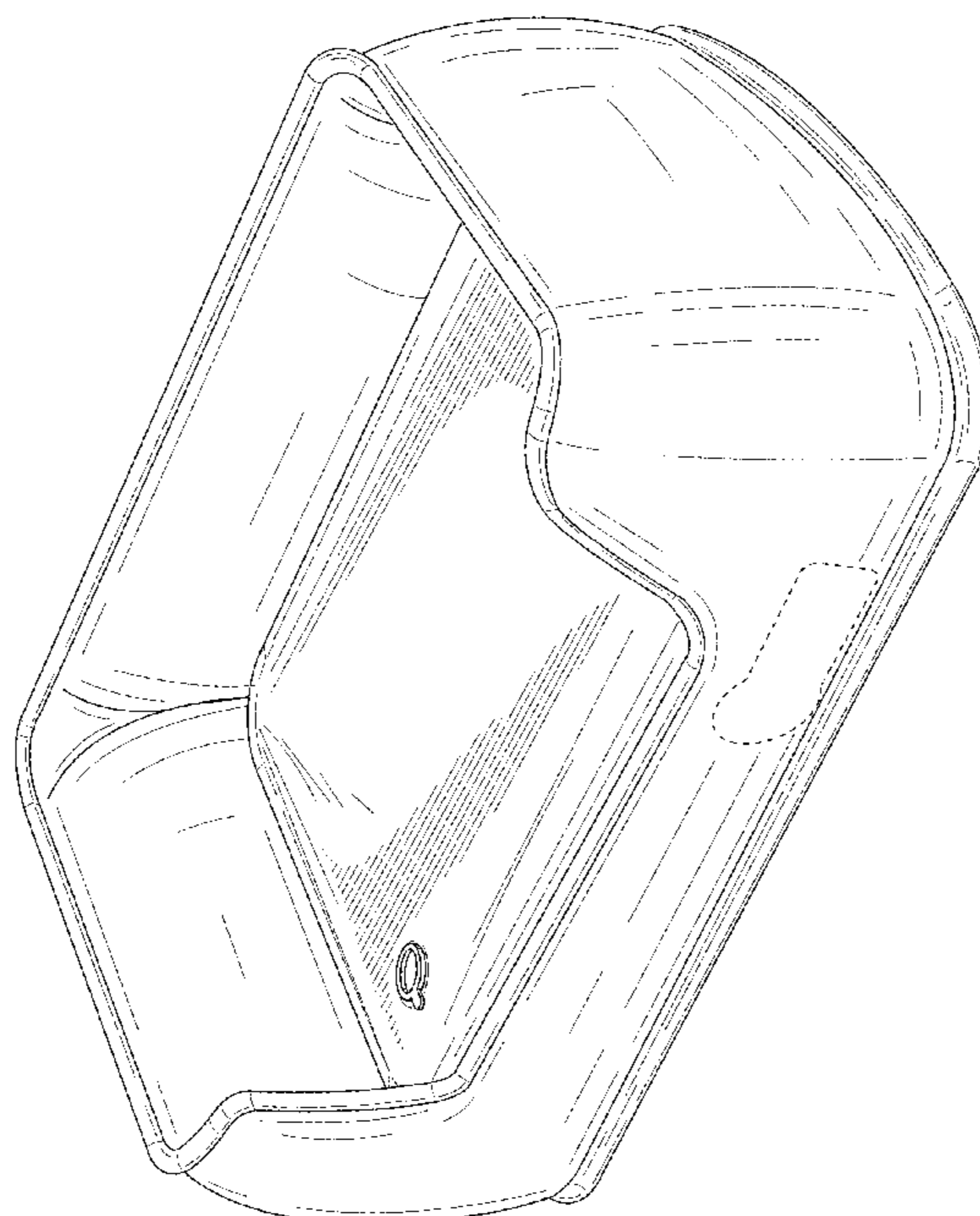
The broken lines in the drawings illustrate portions of the thermal bolster bed that form no part of the claimed design.

1 Claim, 7 Drawing Sheets

(56) **References Cited**

U.S. PATENT DOCUMENTS

- D239,424 S * 4/1976 Offredi D6/381
- 5,784,995 A * 7/1998 Willinger A01K 1/0353
119/28.5
- 7,000,276 B2* 2/2006 Chaffee A47C 4/54
5/654
- D563,058 S * 2/2008 Lamstein D30/118
- 8,316,482 B1* 11/2012 Martin, III A47C 29/00
5/655
- D703,877 S * 4/2014 Popkin D30/118
- D725,832 S * 3/2015 Coulter D30/118



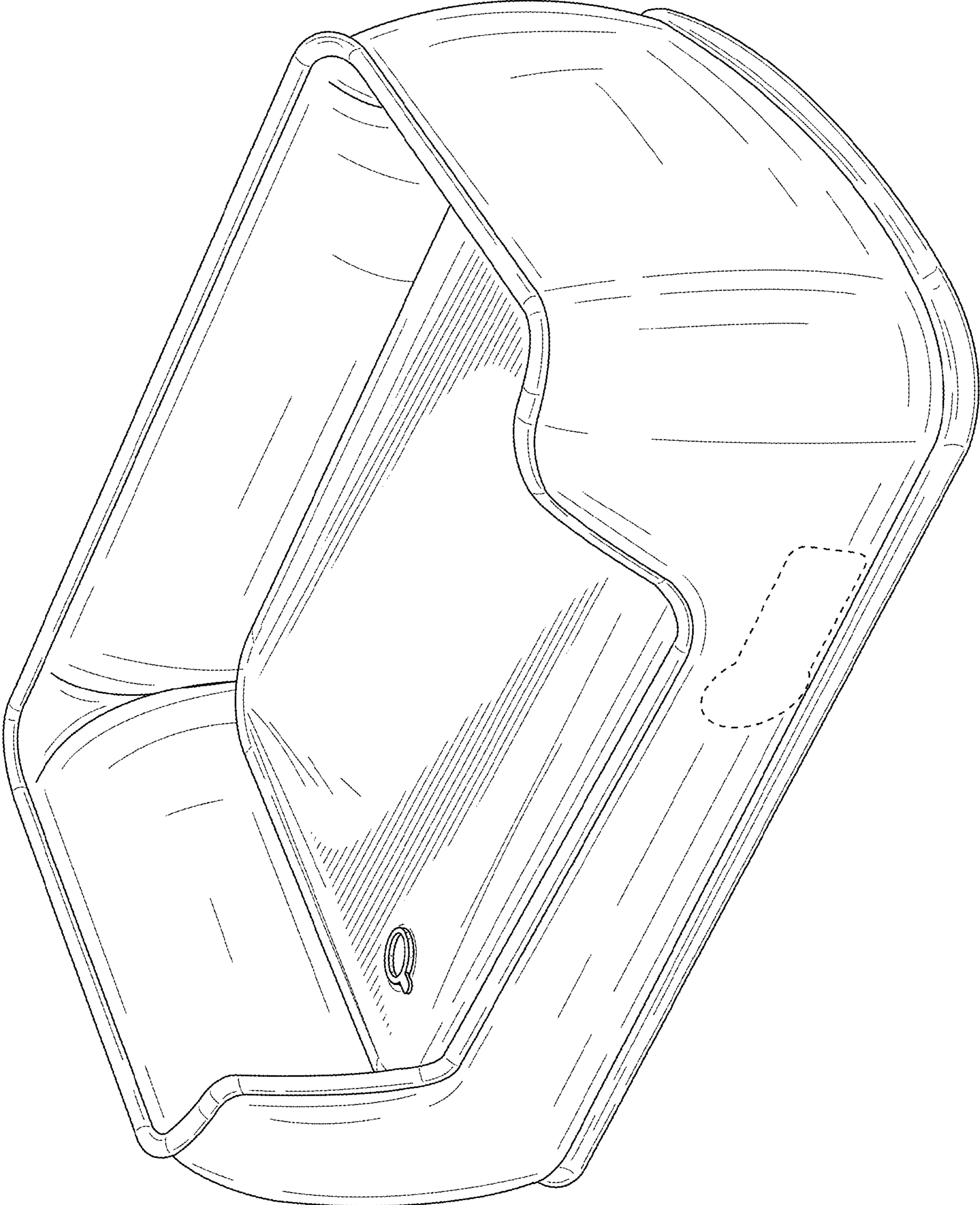


FIG. 1

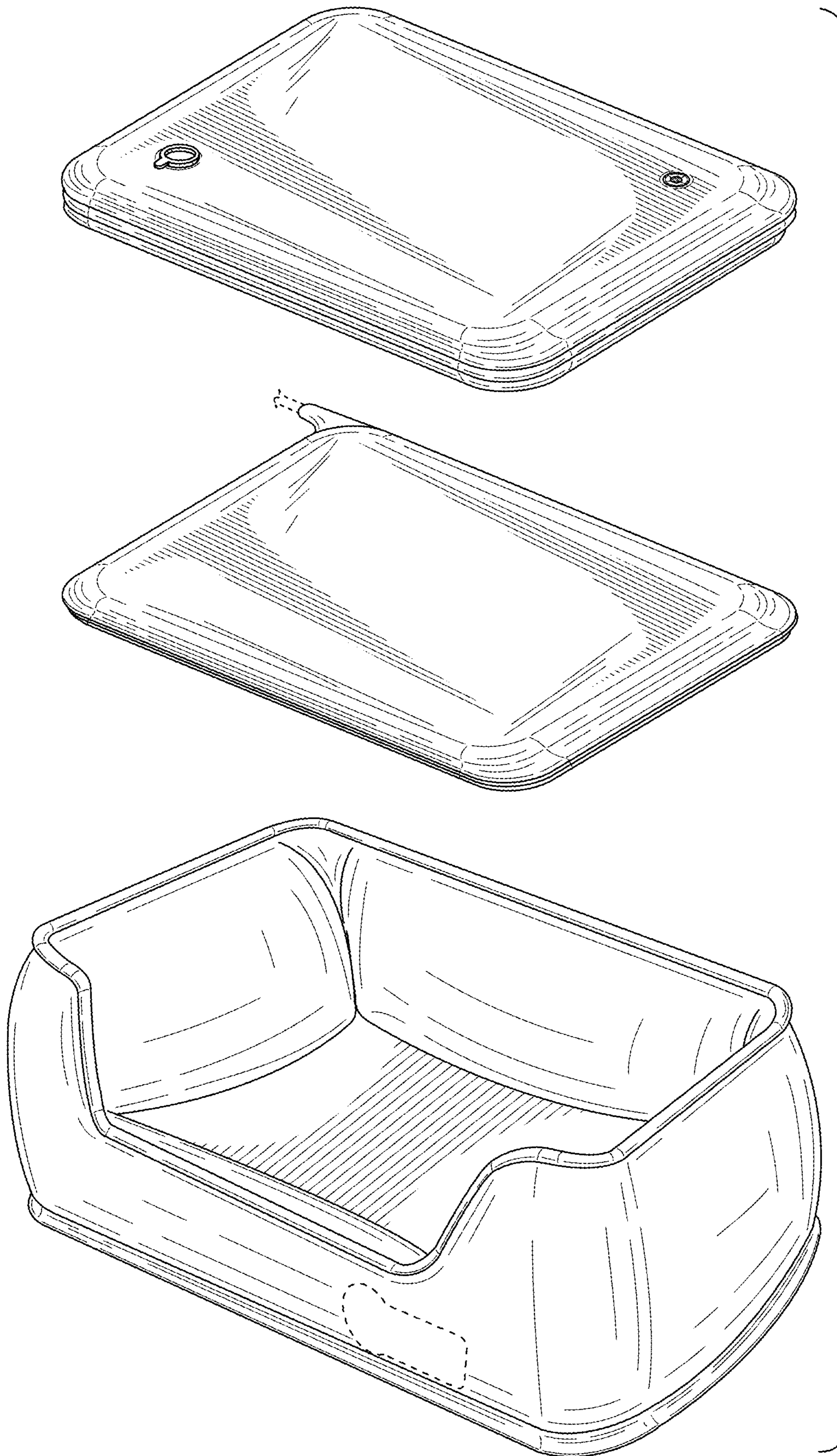


FIG. 2

FIG. 3

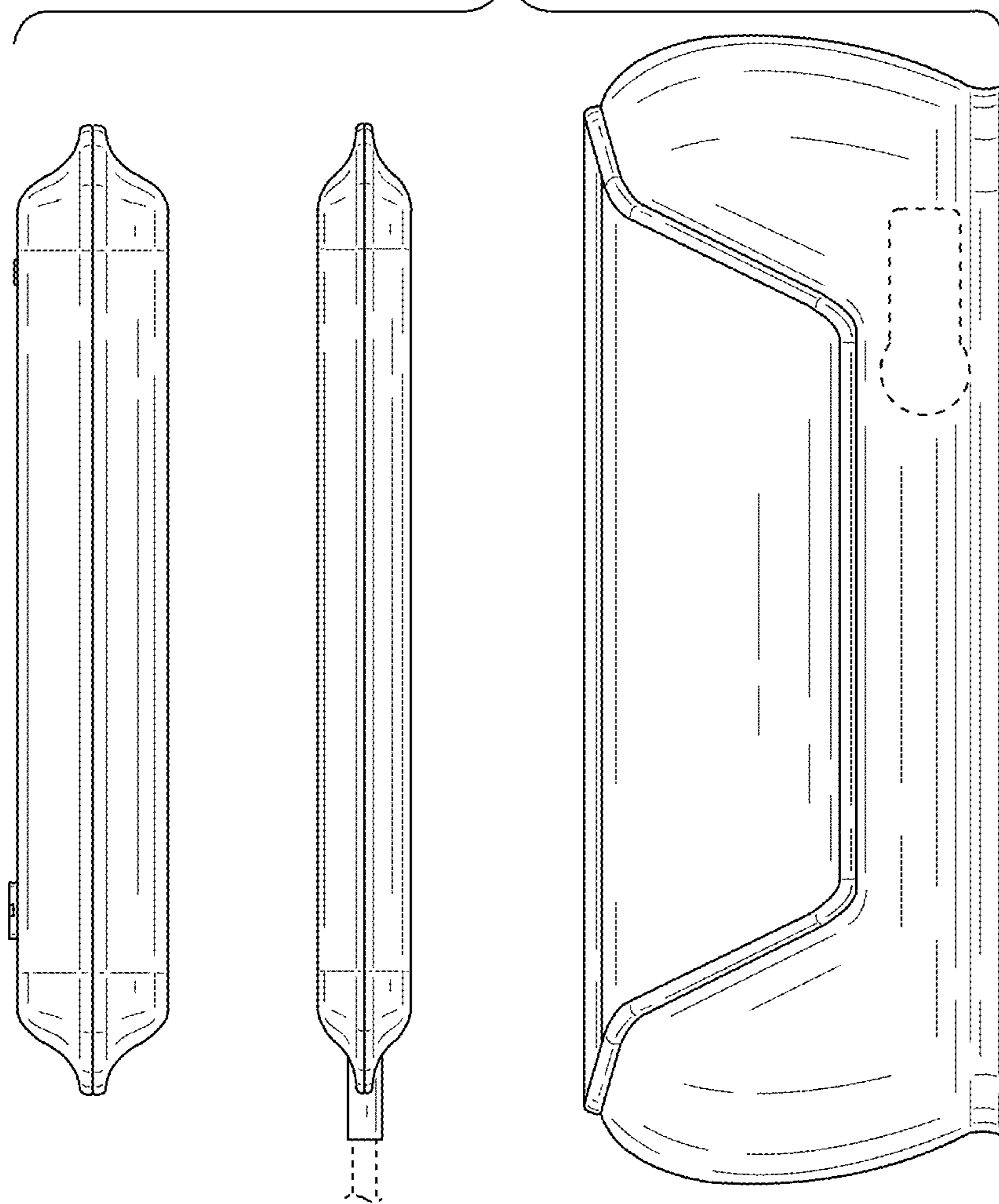


FIG. 4

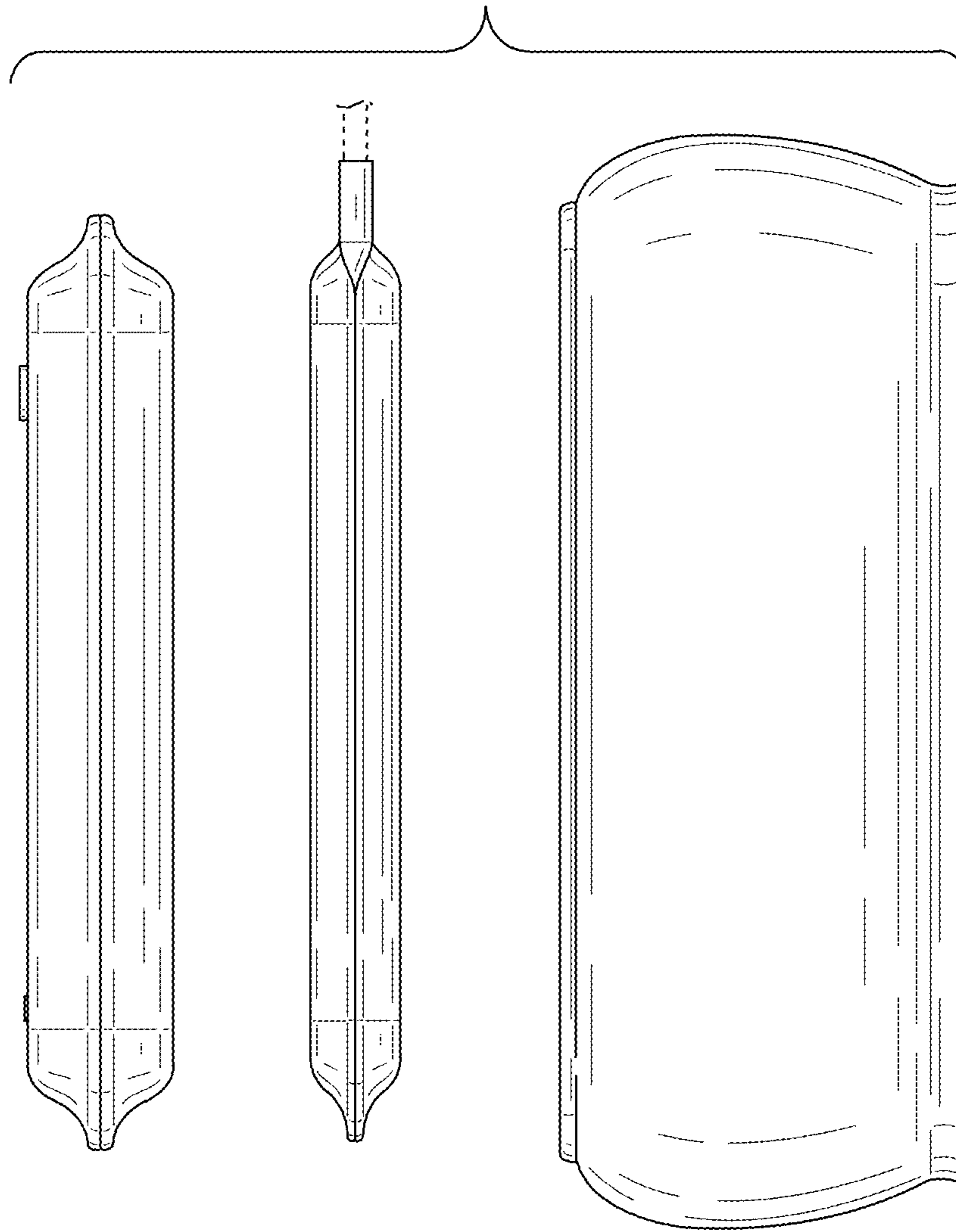


FIG. 6

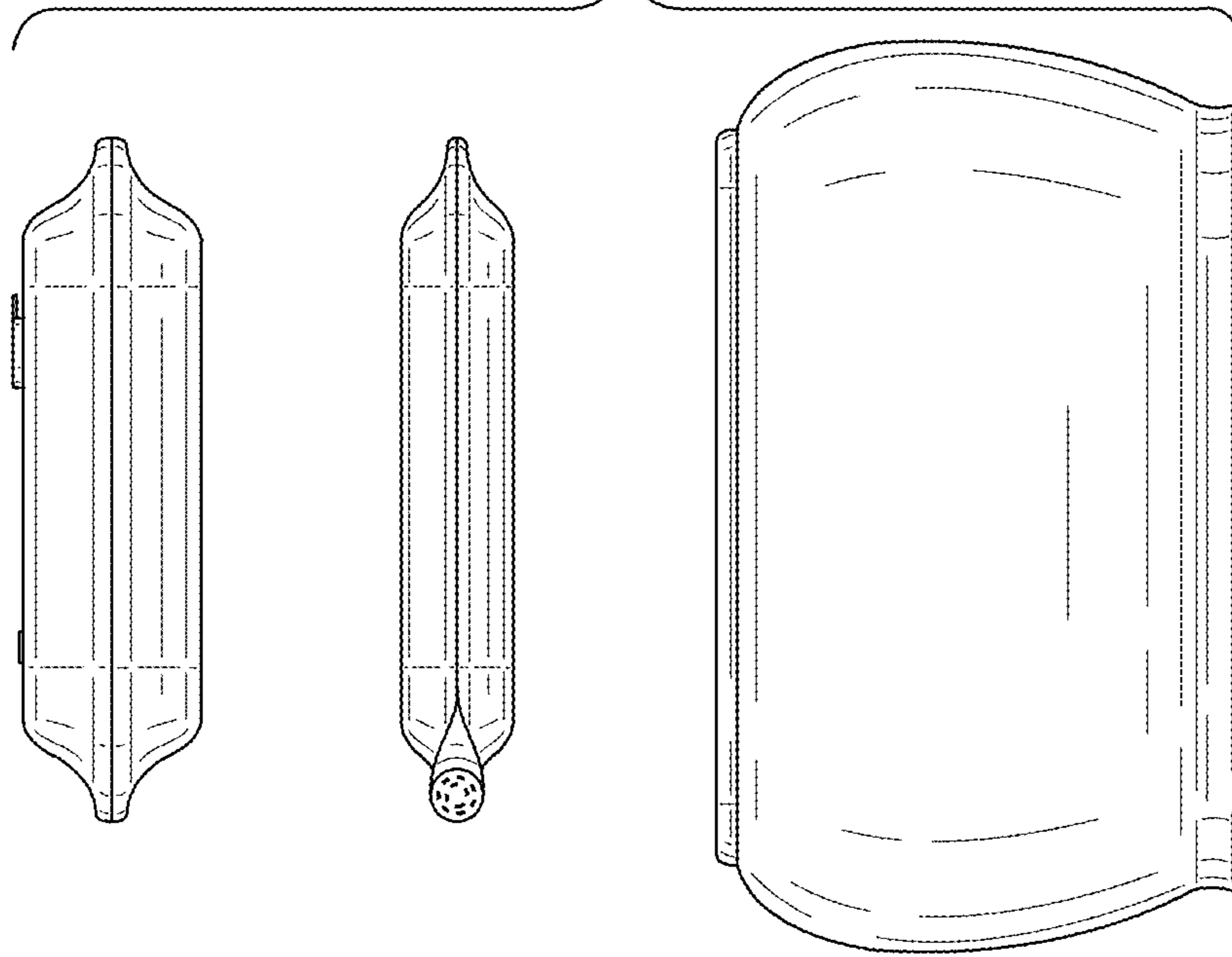


FIG. 5

