



US00D928418S

(12) **United States Design Patent**  
**LaMagna**

(10) **Patent No.:** **US D928,418 S**

(45) **Date of Patent:** **\*\* Aug. 17, 2021**

- (54) **PET ENCLOSURE APPARATUS**
- (71) Applicant: **Victor LaMagna**, La Jolla, CA (US)
- (72) Inventor: **Victor LaMagna**, La Jolla, CA (US)
- (\*\*) Term: **15 Years**
- (21) Appl. No.: **29/749,623**
- (22) Filed: **Sep. 8, 2020**

**Related U.S. Application Data**

- (62) Division of application No. 29/632,709, filed on Jan. 9, 218, now Pat. No. Des. 899,008.
- (51) **LOC (13) Cl.** ..... **30-02**
- (52) **U.S. Cl.**  
USPC ..... **D30/115**
- (58) **Field of Classification Search**  
USPC ..... D30/108-120; D6/339, 361, 382,  
D6/385-387, 595-597, 618.1, 675, 691,  
D6/698; D25/38.1, 39, 45, 48.5, 48.8  
CPC . A01K 1/03; A01K 1/05; A01K 1/035; A01K  
29/00; E04H 17/00; E04H 17/02; E04H  
17/04; E04H 17/06; E04H 17/063; E04H  
17/14; E04H 17/1413; E04H 17/1417;  
E04H 17/1421; E04H 17/1426; E04H  
17/143; E04H 17/1434; E04H 17/16;  
E04H 17/161; E04H 17/163  
See application file for complete search history.

(56) **References Cited**

**U.S. PATENT DOCUMENTS**

- 1,413,410 A \* 4/1922 Langer ..... A01K 5/01  
119/63
- 1,636,189 A \* 7/1927 Louden ..... A01K 1/0005  
256/24
- 3,273,862 A \* 9/1966 Miller ..... A47D 13/06  
256/73
- D254,574 S \* 3/1980 Schneider ..... D30/108

- 5,727,502 A \* 3/1998 Askins ..... A01K 1/033  
119/499
- D573,313 S \* 7/2008 Bing-sen ..... D30/119
- 8,381,454 B1 \* 2/2013 Robinson ..... A01K 1/00  
135/159
- 8,573,565 B1 \* 11/2013 Lyndaker ..... E04H 17/161  
256/23
- D715,006 S \* 10/2014 Pomerantz ..... D30/112
- 9,826,710 B1 \* 11/2017 McNew ..... A01K 1/0035
- D891,642 S \* 7/2020 Jackson ..... D25/48.8
- D897,558 S \* 9/2020 Le ..... D25/45
- 2012/0204498 A1 \* 8/2012 Richey ..... E02B 3/106  
52/102
- 2013/0221300 A1 \* 8/2013 Weber ..... E04H 17/163  
256/19

(Continued)

*Primary Examiner* — Sheryl Lane

*Assistant Examiner* — Aula Soroush

(74) *Attorney, Agent, or Firm* — Garson & Gutierrez, PC

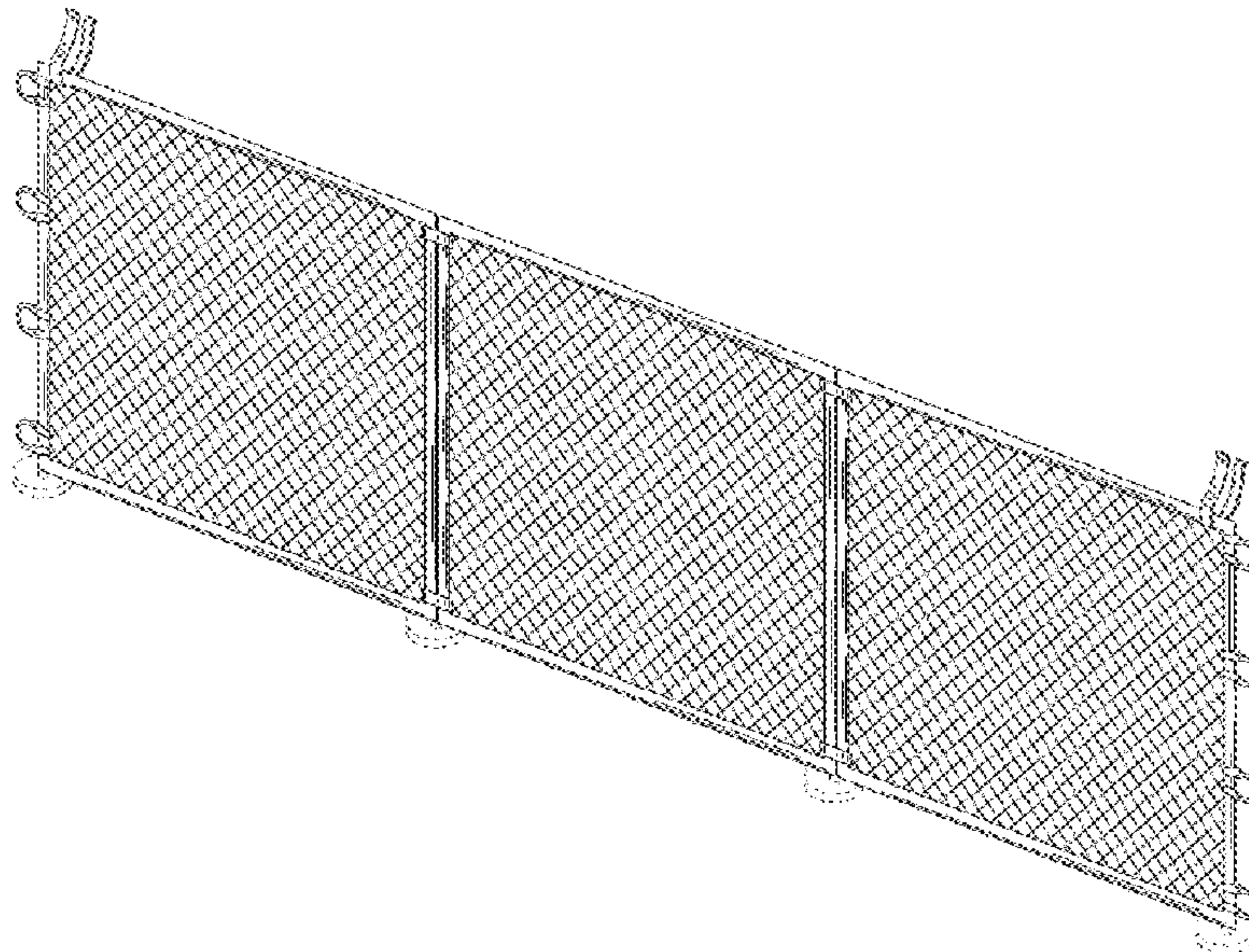
(57) **CLAIM**

The ornamental design of a pet enclosure apparatus, as shown and described herein.

**DESCRIPTION**

FIG. 1 is a perspective view of a pet enclosure apparatus for use in a hallway, showing our new design;  
 FIG. 2 is a front side elevation view of the pet enclosure apparatus of FIG. 1, the back side view being identical;  
 FIG. 3 is a top plan view of the pet enclosure apparatus of FIG. 1; and,  
 FIG. 4 is a left side elevation view of the pet enclosure apparatus of FIG. 1, the right side view being a mirror image.  
 The broken lines shown in the drawings illustrate portions of the pet enclosure apparatus that form no part of the claimed design. More generally, the invention pertains to an ornamental design for an article of manufacture. The article is not limited to the scale shown herein.

**1 Claim, 3 Drawing Sheets**



(56)

**References Cited**

U.S. PATENT DOCUMENTS

2019/0344148 A1\* 11/2019 Miller ..... A63B 71/022  
2020/0056862 A1\* 2/2020 Howe ..... F41H 11/08

\* cited by examiner



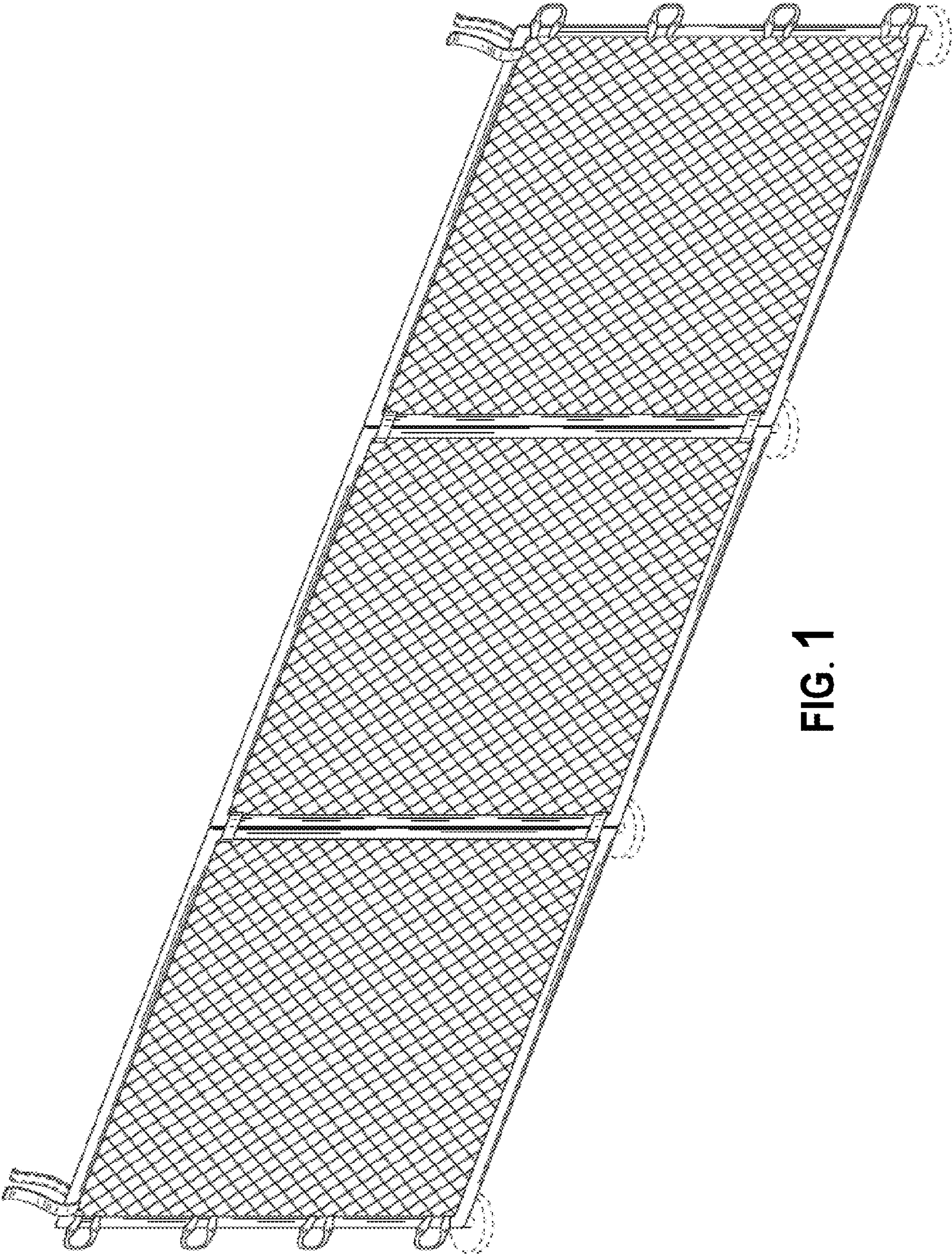


FIG. 1



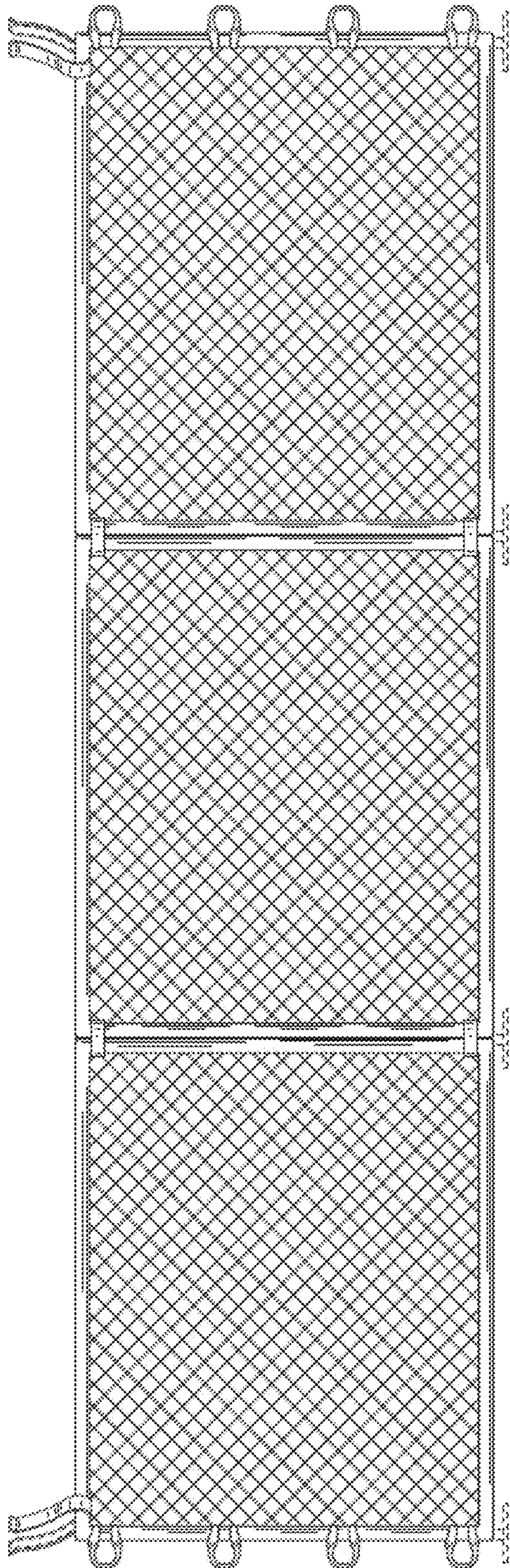
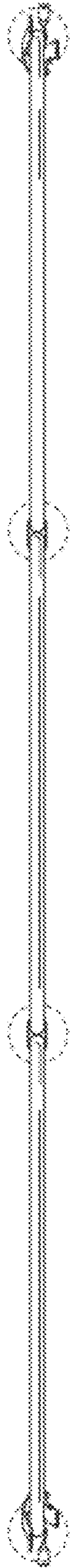
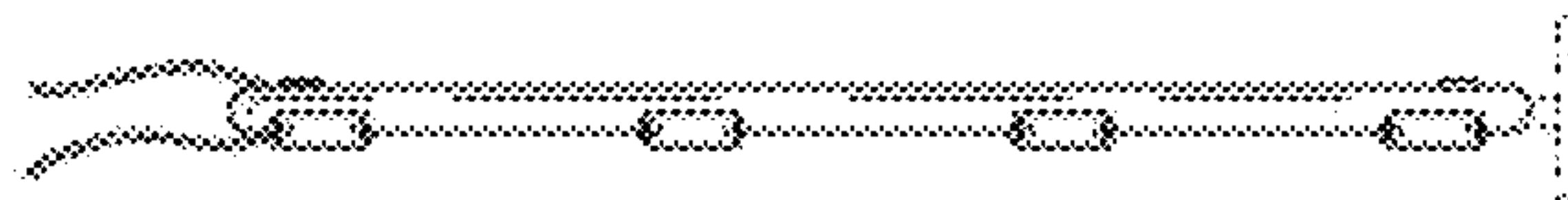


FIG. 2



**FIG. 3**



**FIG. 4**