



US00D928415S

(12) **United States Design Patent**
Baker

(10) **Patent No.:** **US D928,415 S**

(45) **Date of Patent:** **** Aug. 17, 2021**

(54) **FACE SHIELD**

FOREIGN PATENT DOCUMENTS

(71) Applicant: **Jay Baker**, Mayville, NY (US)

CA 306145215 * 10/2020

(72) Inventor: **Jay Baker**, Mayville, NY (US)

* cited by examiner

(**) Term: **15 Years**

Primary Examiner — Robert A Delehanty

(21) Appl. No.: **29/741,716**

(74) *Attorney, Agent, or Firm* — The Bilicki Law Firm, P.C.; Carl A. Hjort, III

(22) Filed: **Jul. 15, 2020**

(51) **LOC (13) Cl.** **29-02**

(52) **U.S. Cl.**
USPC **D29/110**

(57) **CLAIM**

The ornamental design for a face shield, as shown and described.

(58) **Field of Classification Search**

USPC D29/105–110, 123; D24/110.1–110.2;
D2/866, 893; D28/10; D16/310–312

See application file for complete search history.

DESCRIPTION

FIG. 1 is a front elevational view of a face shield according to my design;

FIG. 2 is a left side elevational view thereof;

FIG. 3 is a right side elevational view thereof;

FIG. 4 is a bottom plan view thereof;

FIG. 5 is a top plan view thereof;

FIG. 6 is a bottom left perspective view thereof; and,

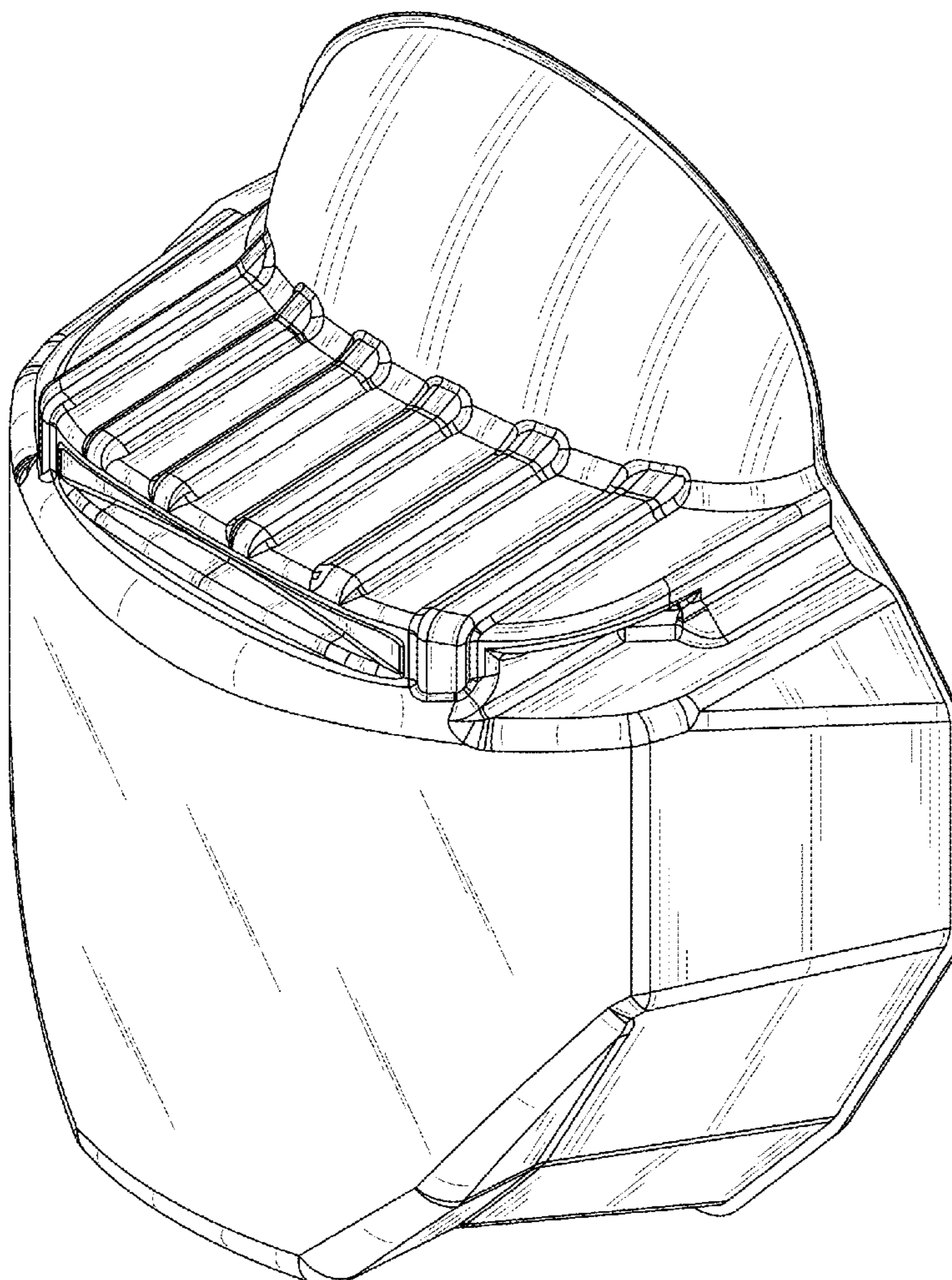
FIG. 7 is a top right perspective view thereof.

(56) **References Cited**

U.S. PATENT DOCUMENTS

D321,067 S * 10/1991 Salce D29/110
D667,590 S * 9/2012 Williams D29/102

1 Claim, 7 Drawing Sheets



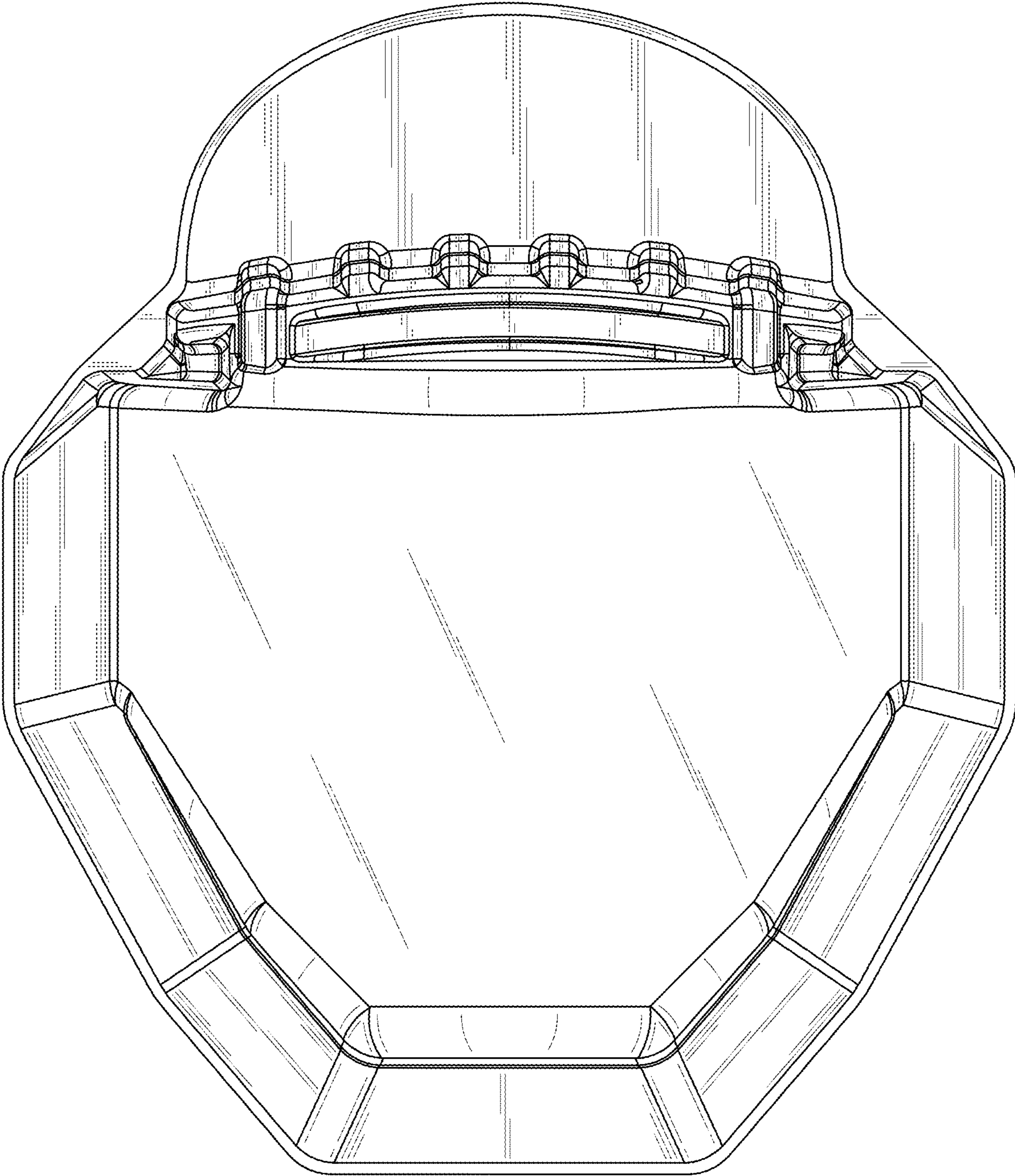


FIG. 1

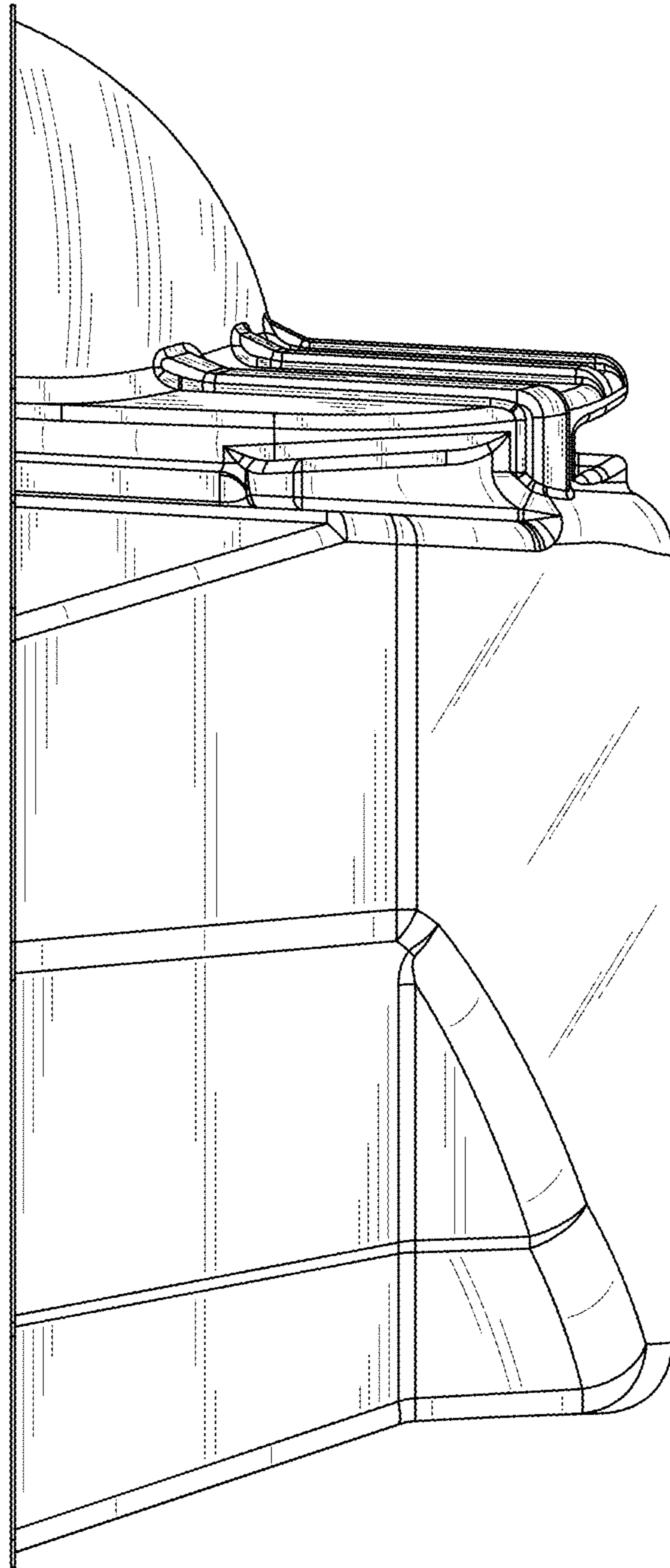


FIG. 2

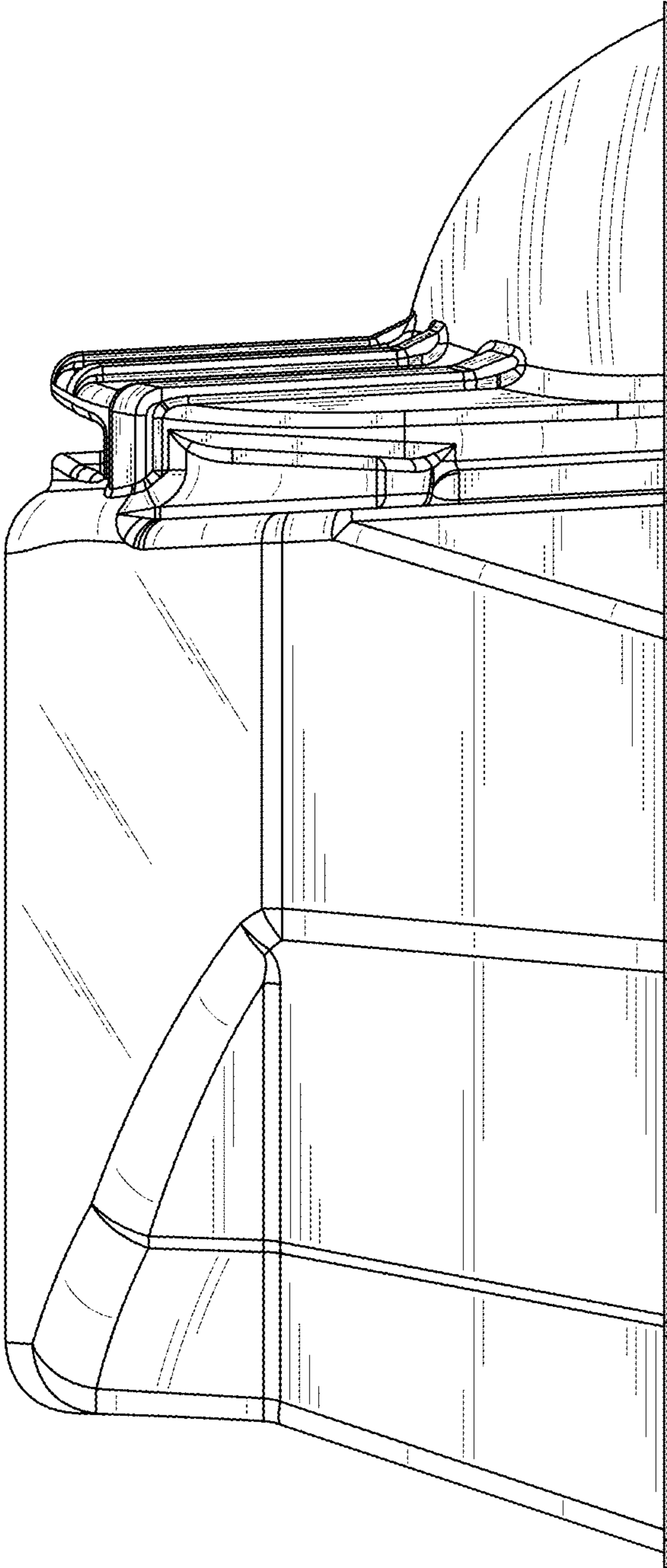


FIG. 3

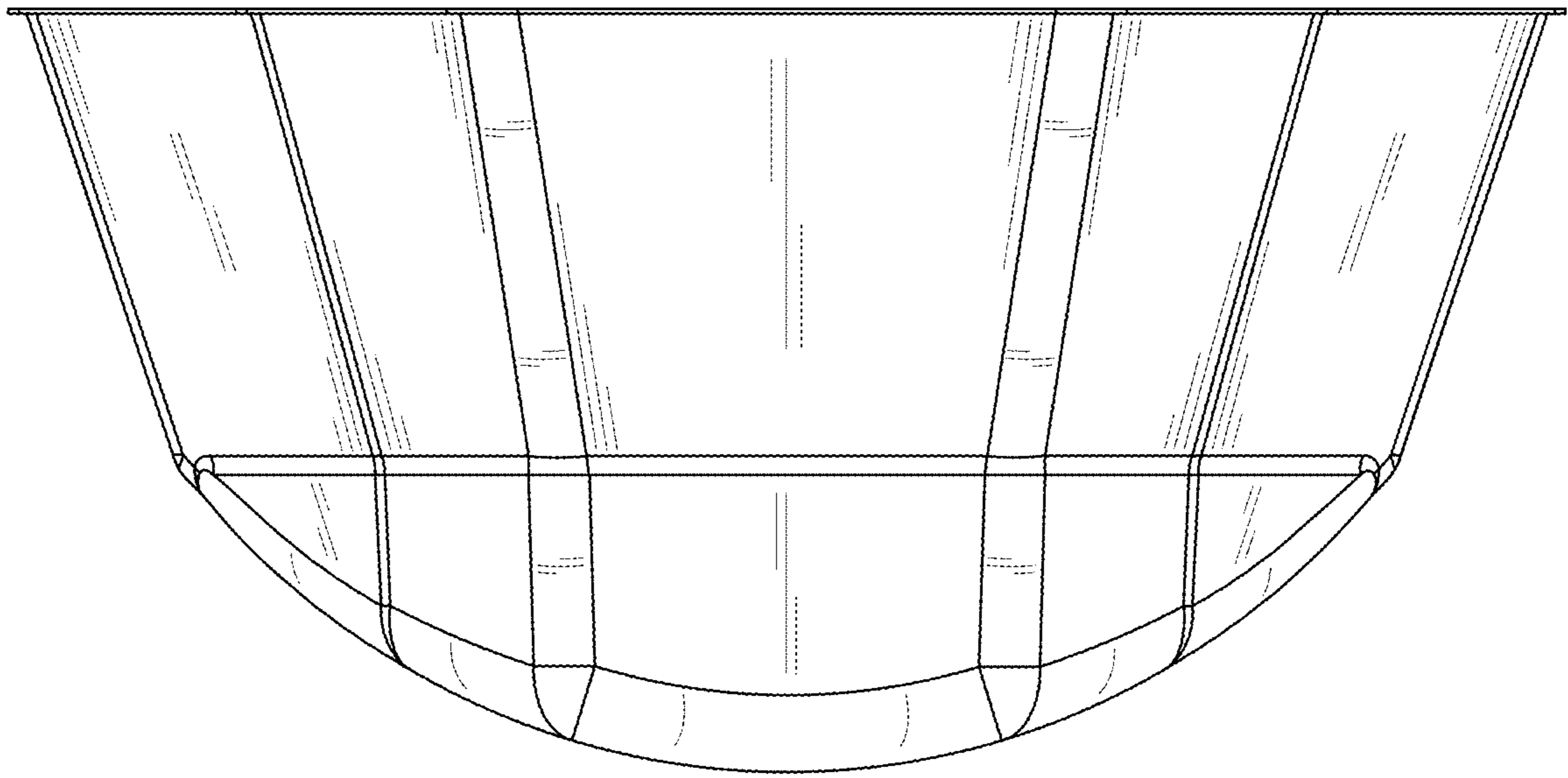


FIG. 4

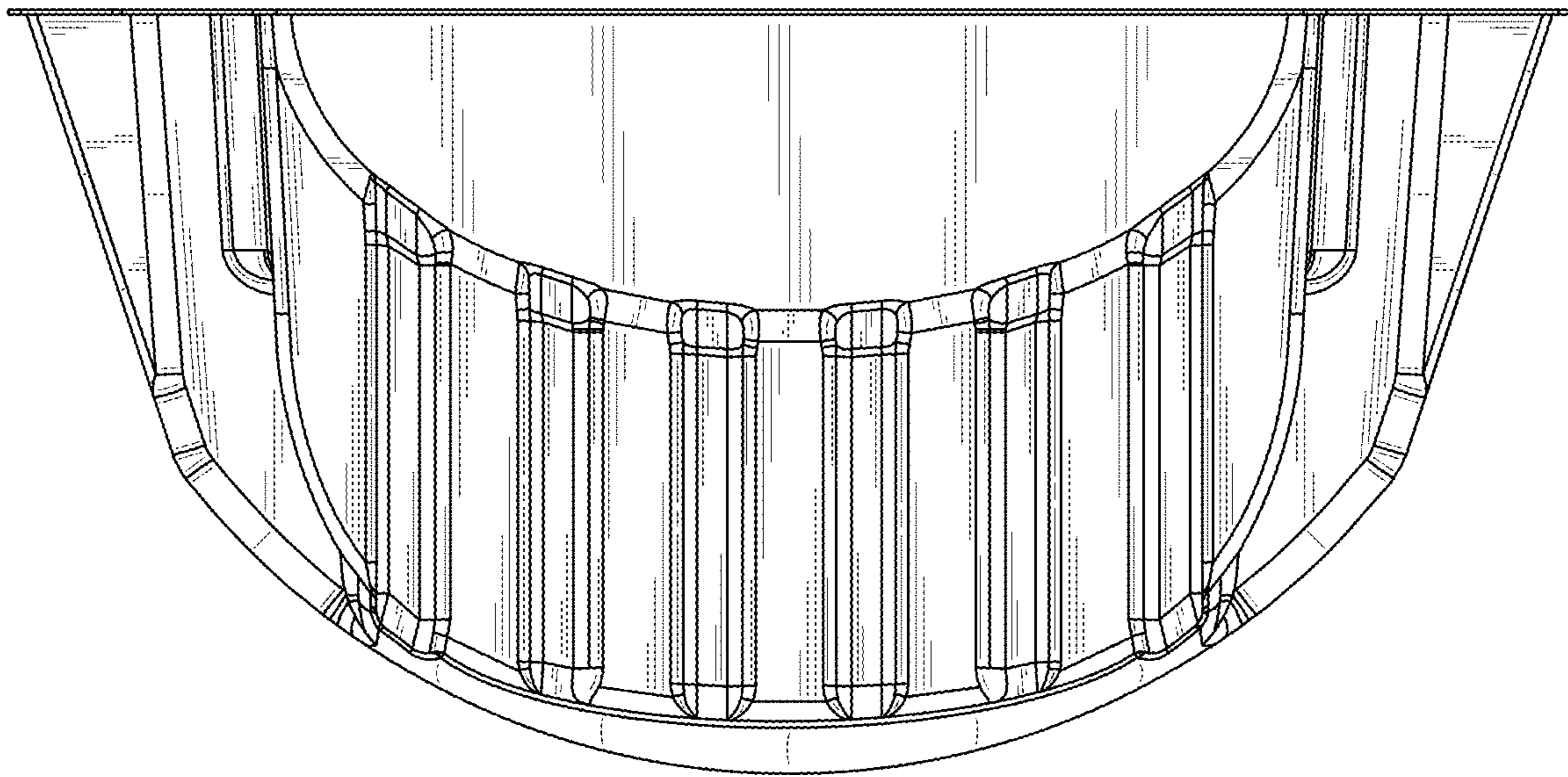


FIG. 5

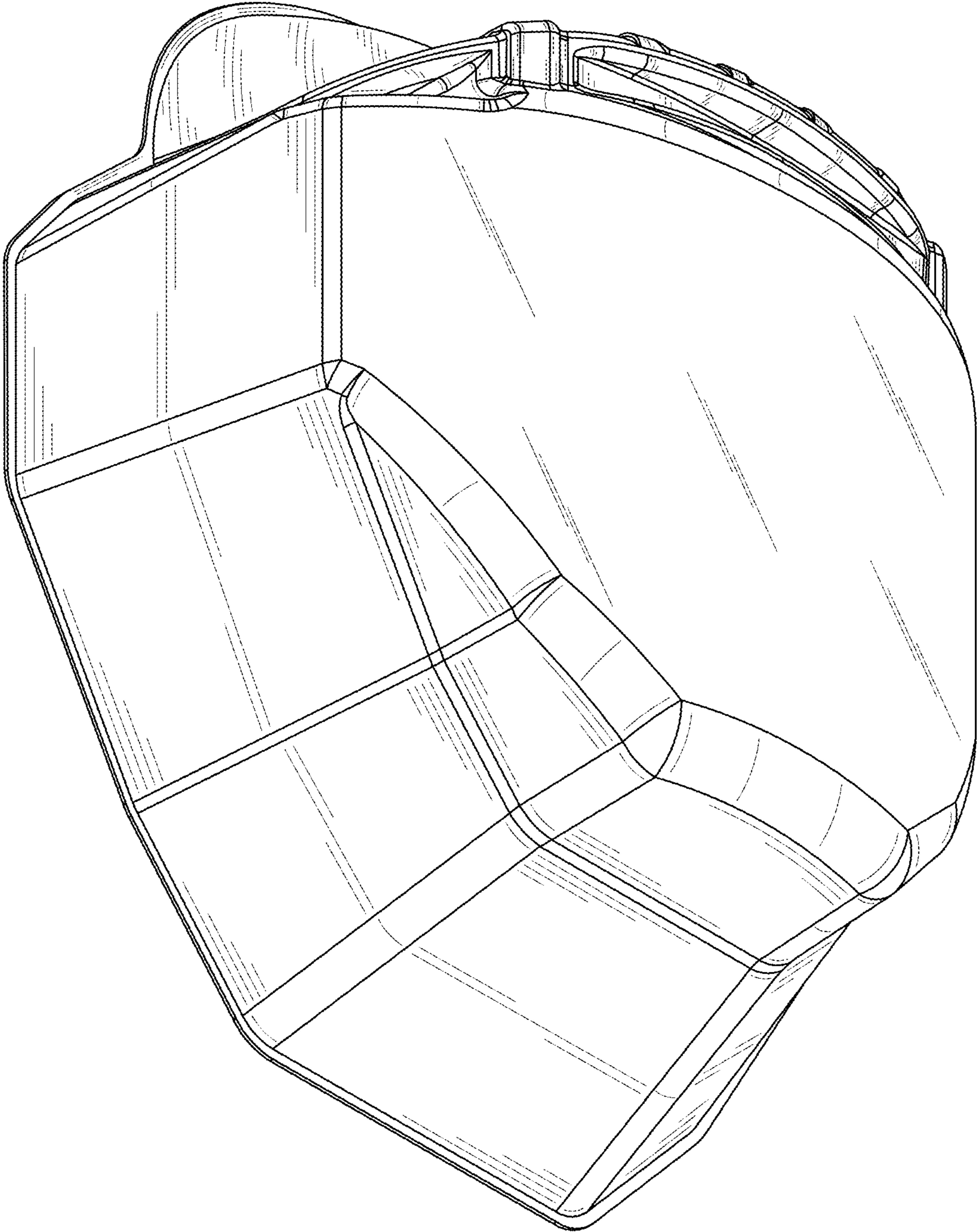


FIG. 6

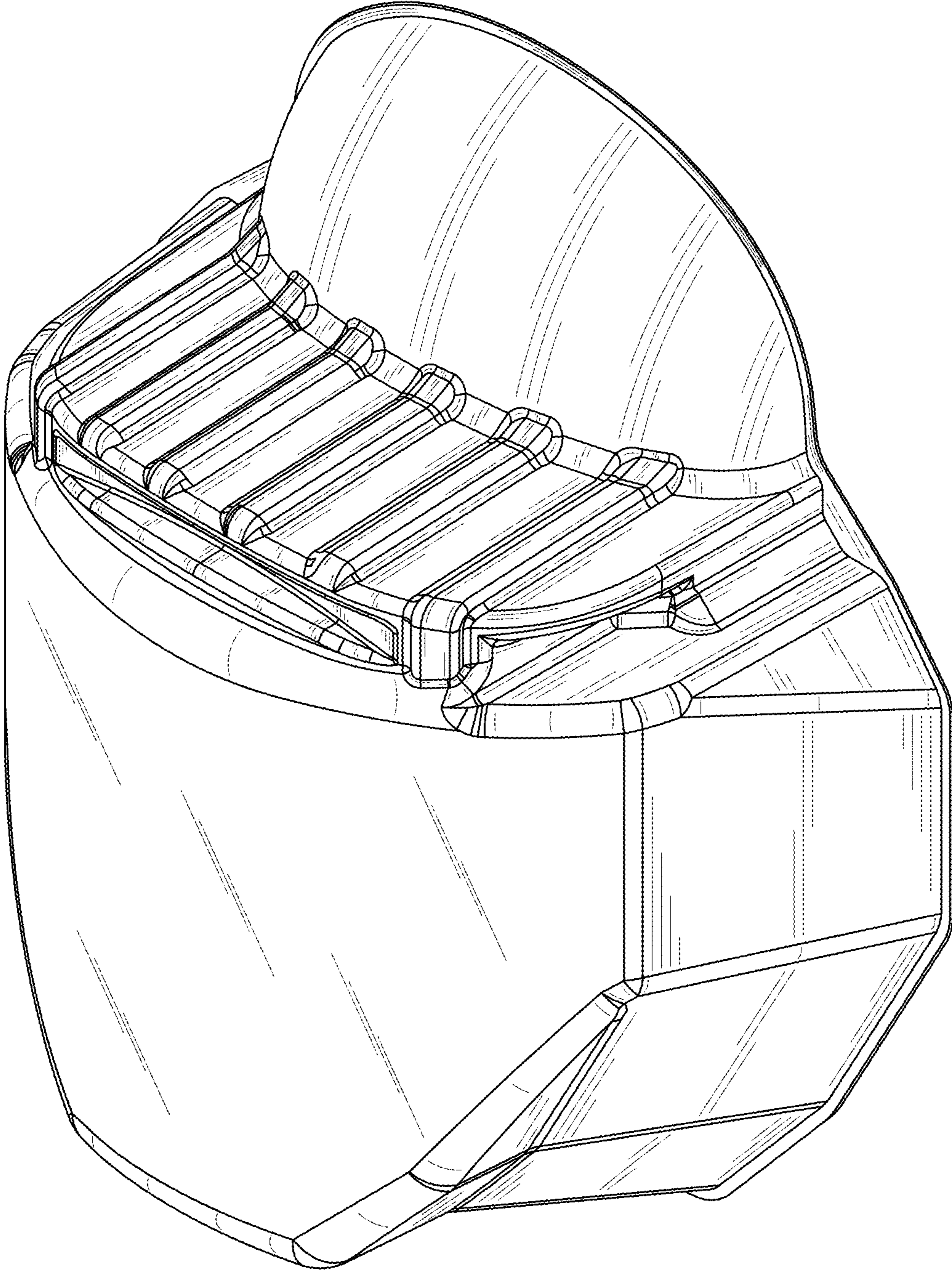


FIG. 7