



US00D928414S

(12) **United States Design Patent** (10) **Patent No.:** **US D928,414 S**
Stevenson (45) **Date of Patent:** **** Aug. 17, 2021**

(54) **FACE SHIELD**

2012/0047614 A1* 3/2012 Choi A41D 13/1184
2/9

(71) Applicant: **F.D.S. Manufacturing Company,**
Pomona, CA (US)

* cited by examiner

(72) Inventor: **Kevin Tyrel Stevenson,** Claremont, CA
(US)

Primary Examiner — Robert A Delehanty

(73) Assignee: **F.D.S. Manufacturing Company,**
Pomona, CA (US)

(57) **CLAIM**

The ornamental design for a face shield, substantially as shown and described.

(**) Term: **15 Years**

DESCRIPTION

(21) Appl. No.: **29/731,947**

FIG. 1 is a perspective view of the face shield in a folded state without the brim portion;
 FIG. 2 is a left side view thereof;
 FIG. 3 is a right side view thereof;
 FIG. 4 is front view thereof;
 FIG. 5 is rear view thereof;
 FIG. 6 is a top view thereof;
 FIG. 7 is a bottom view thereof;
 FIG. 8 is an isolated perspective view of the brim portion;
 FIG. 9 is top view thereof;
 FIG. 10 is bottom view thereof;
 FIG. 11 is front view thereof;
 FIG. 12 is rear view thereof;
 FIG. 13 is right side view thereof;
 FIG. 14 is left side view thereof;
 FIG. 15 is exploded perspective view of the face shield in a folded state and the brim portion;
 FIG. 16 is a perspective view of the face shield in an unfolded flat state without the brim portion;
 FIG. 17 is a left side view thereof;
 FIG. 18 is a right side view thereof;
 FIG. 19 is a front view thereof;
 FIG. 20 is a rear view thereof;
 FIG. 21 is a top view thereof; and,
 FIG. 22 is a bottom view thereof.

(22) Filed: **Apr. 20, 2020**

(51) **LOC (13) Cl.** **29-02**

(52) **U.S. Cl.**
USPC **D29/110**

(58) **Field of Classification Search**
USPC D29/105–110, 123; D24/110.1–110.2;
D2/866, 893; D28/10; D16/310–312
See application file for complete search history.

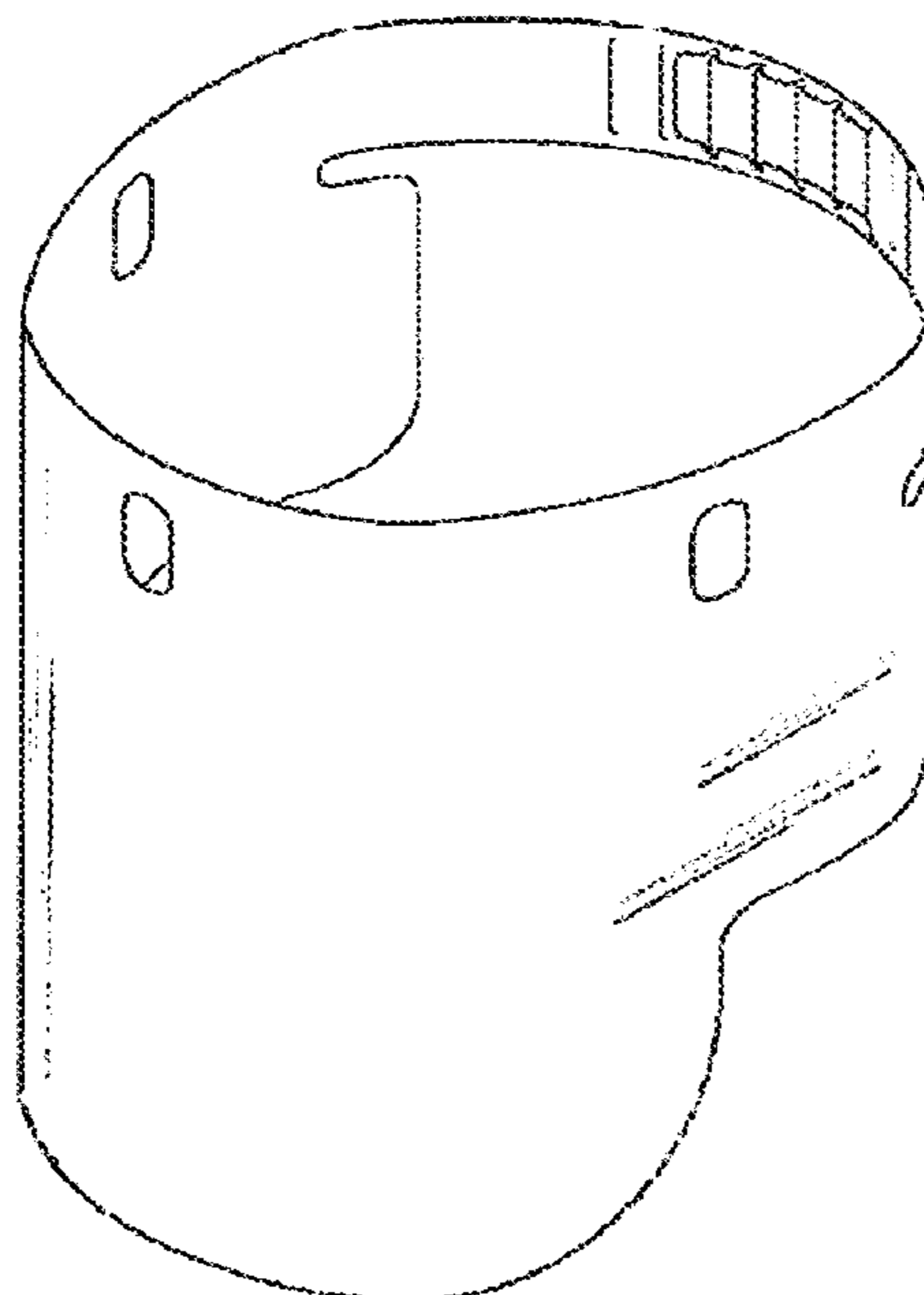
The broken lines shown in the drawings represent unclaimed features of the design.

(56) **References Cited**

U.S. PATENT DOCUMENTS

D349,362 S * 8/1994 Russell A41D 13/1184
D29/110
 D362,086 S * 9/1995 Russell A41D 13/1184
D29/110
 D732,242 S * 6/2015 Miller A41D 13/1184
D29/110
 9,532,617 B2* 1/2017 Miller A41D 13/1184
 D853,656 S * 7/2019 Martin A41D 13/1184
D29/110
 D899,002 S * 10/2020 Chapman A41D 13/1184
D29/110

1 Claim, 22 Drawing Sheets



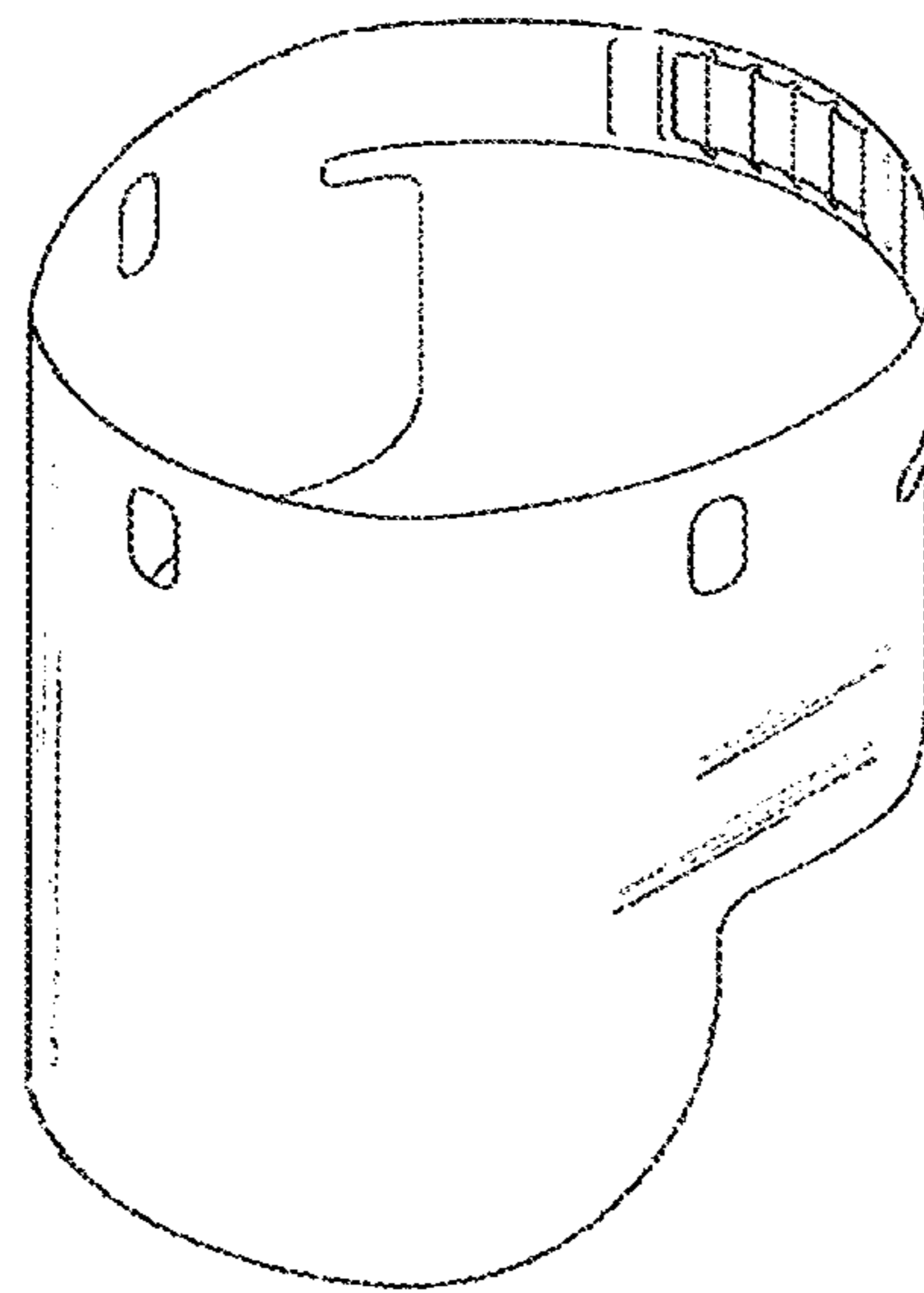


FIG. 1

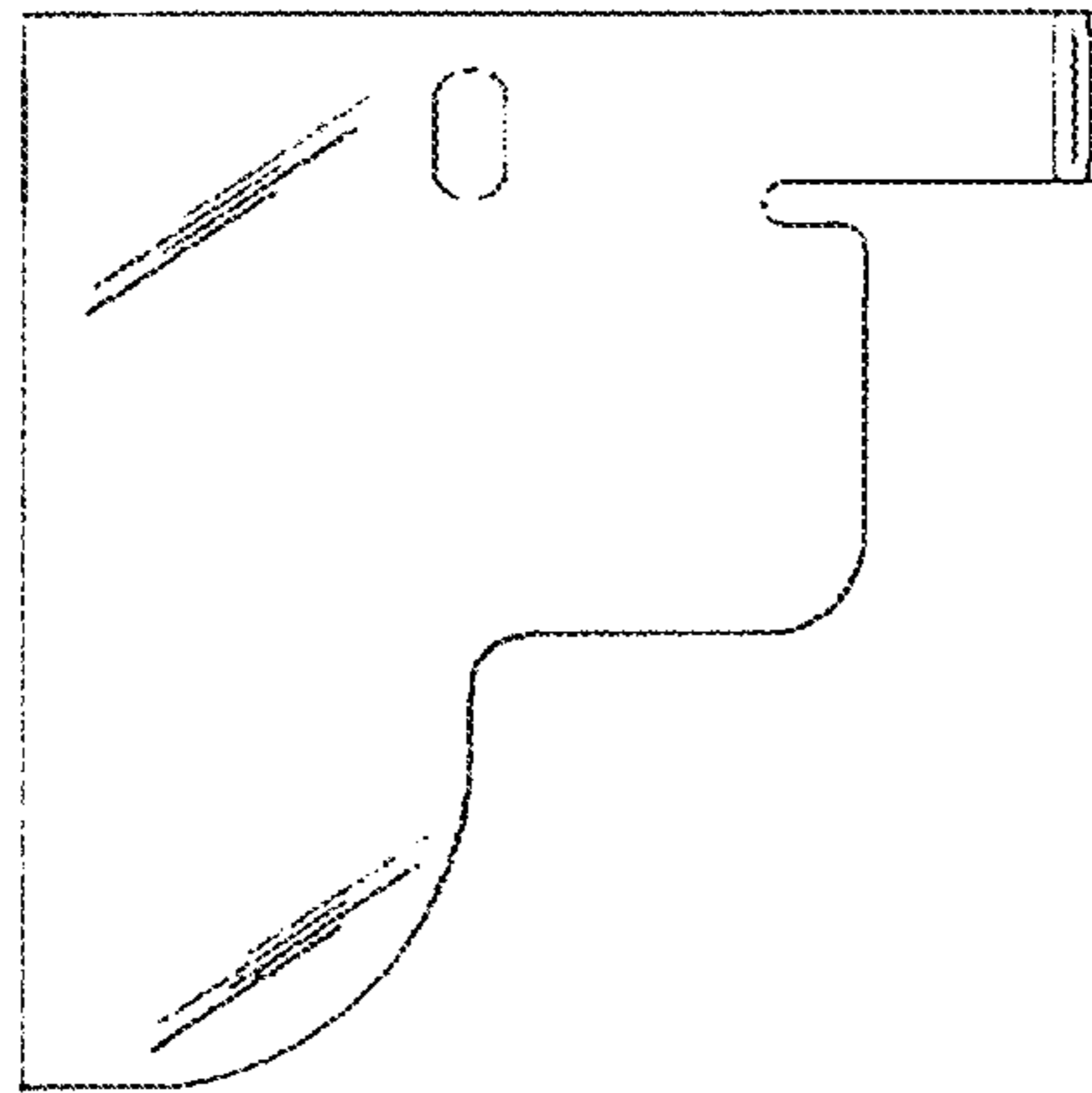


FIG. 2

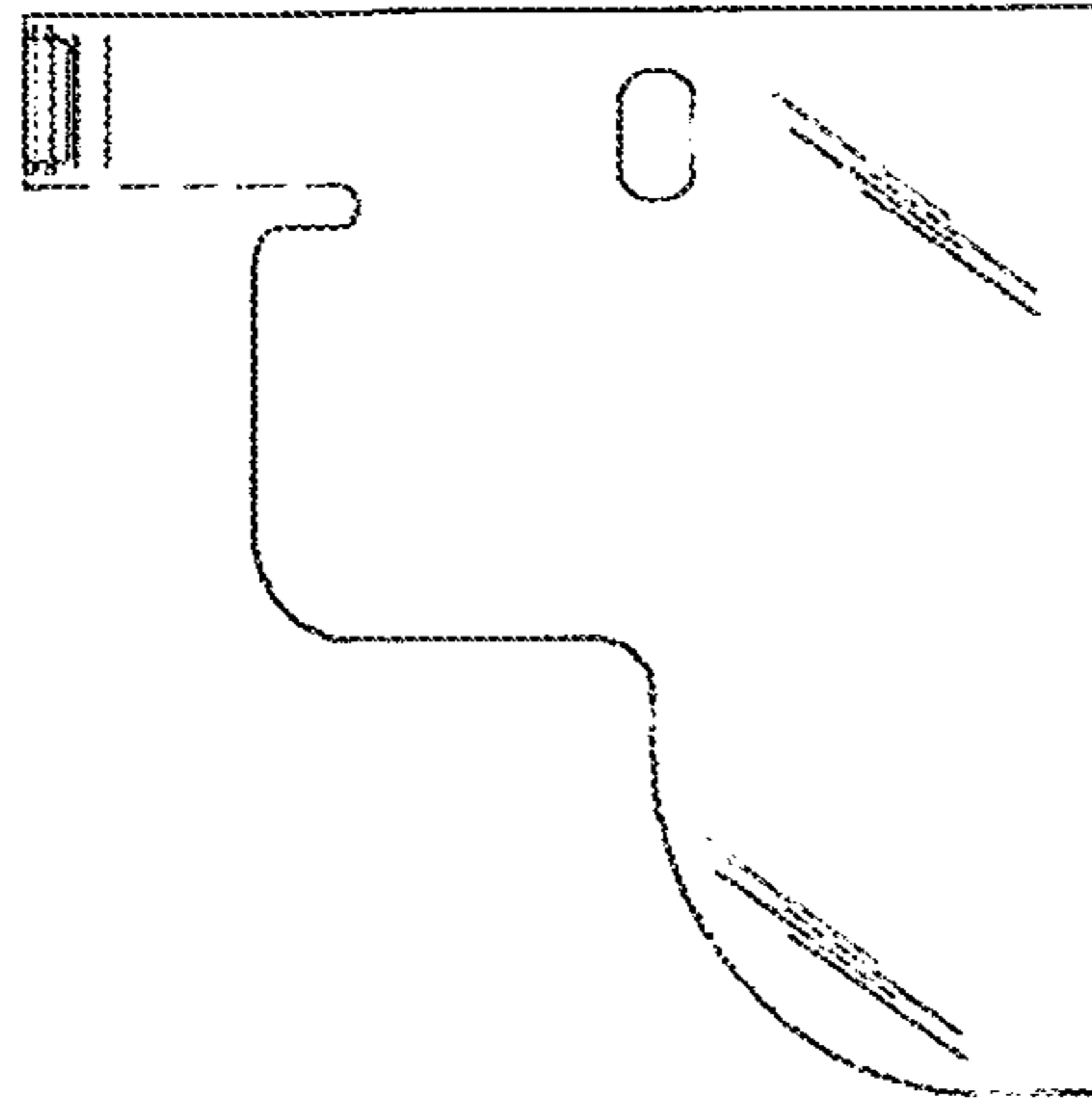


FIG. 3

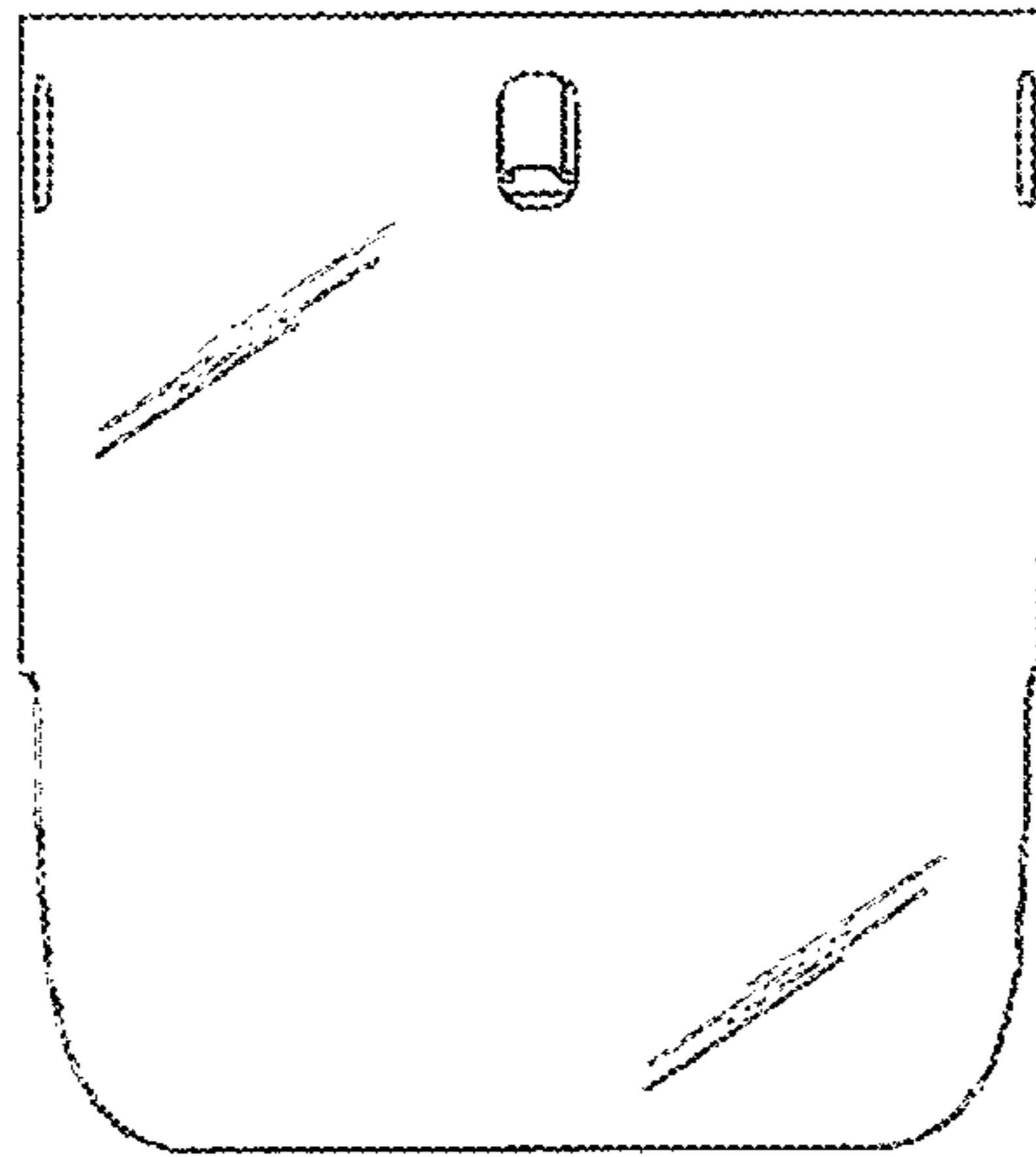


FIG. 4

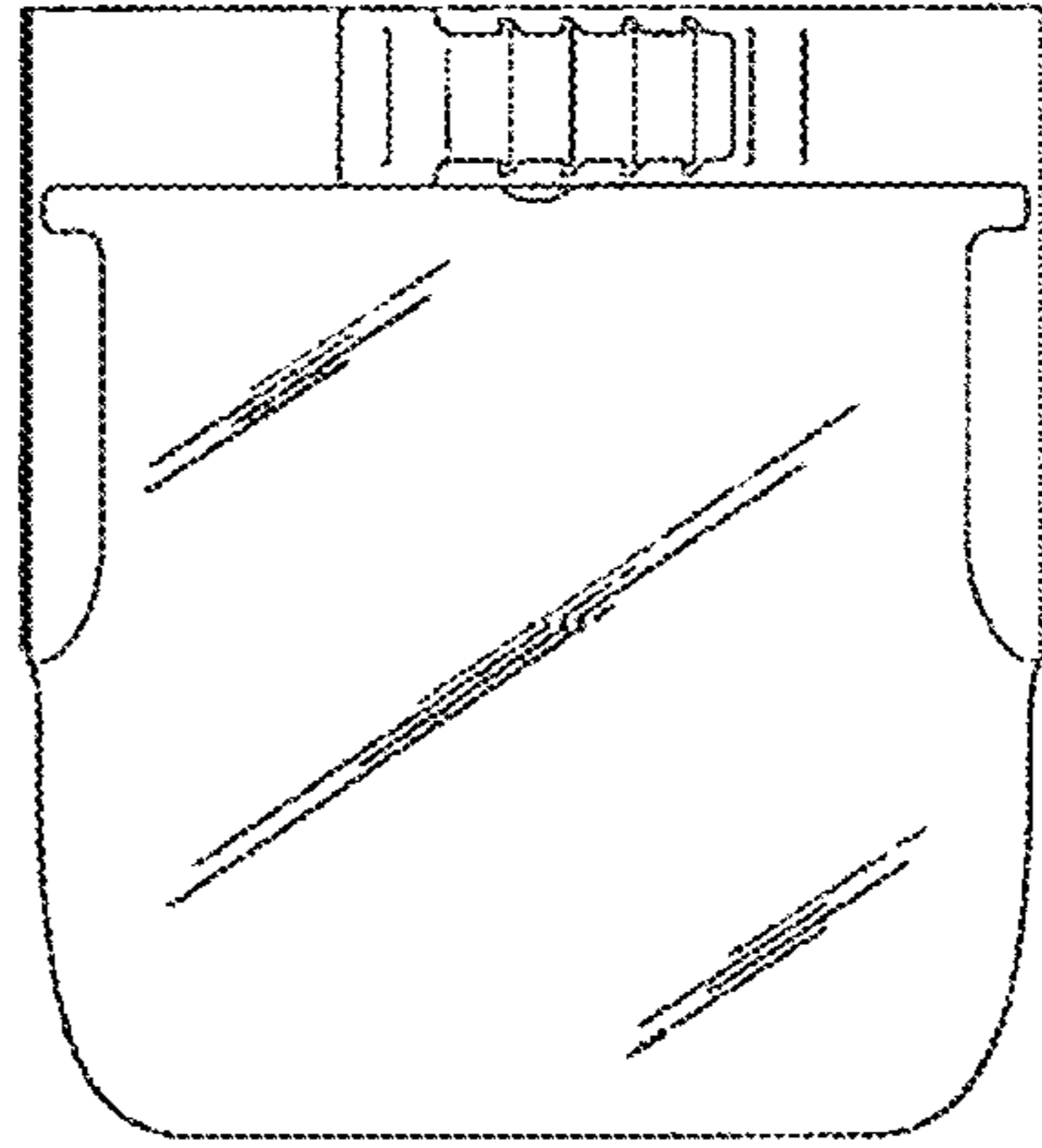


FIG. 5

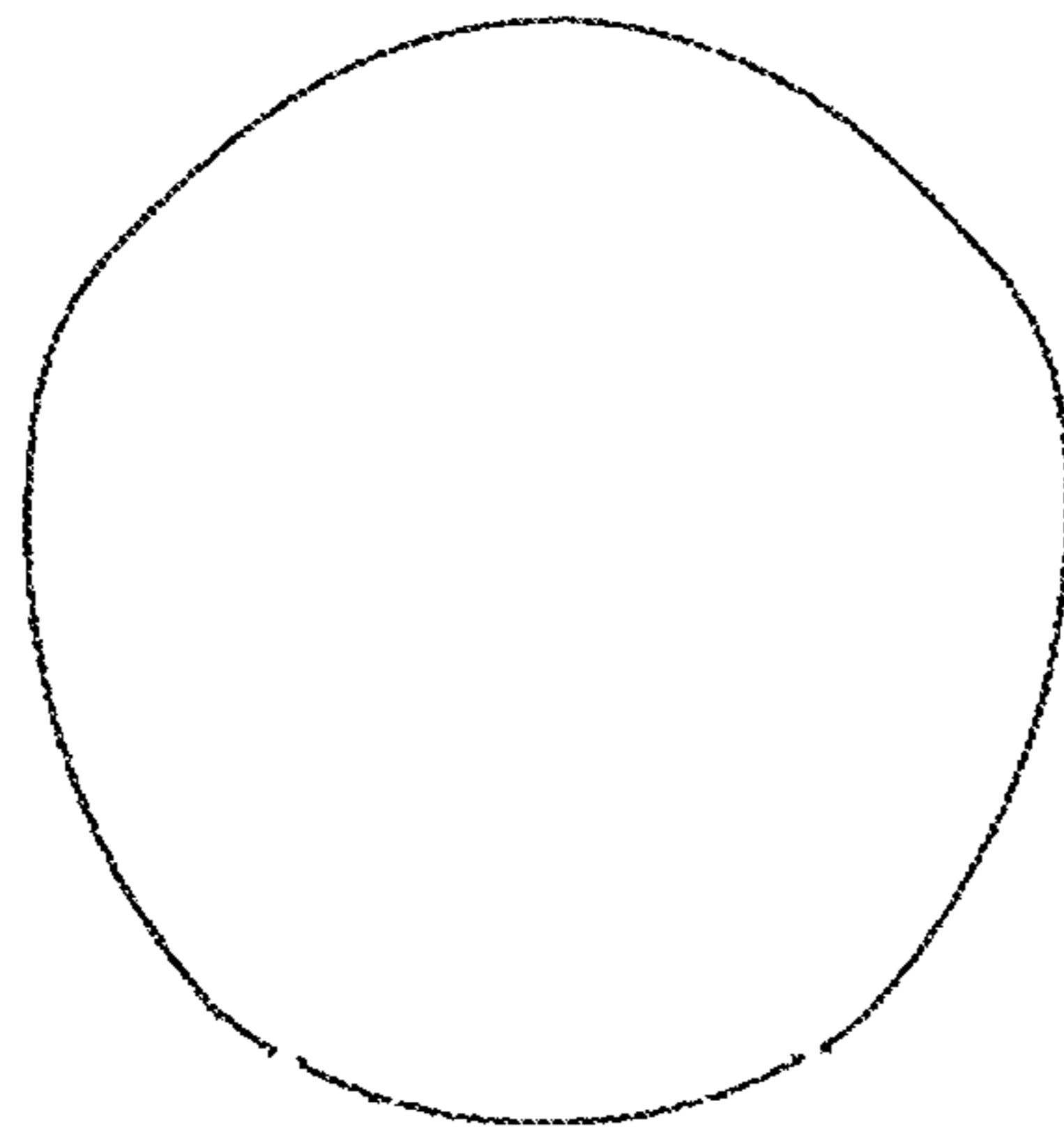


FIG. 6

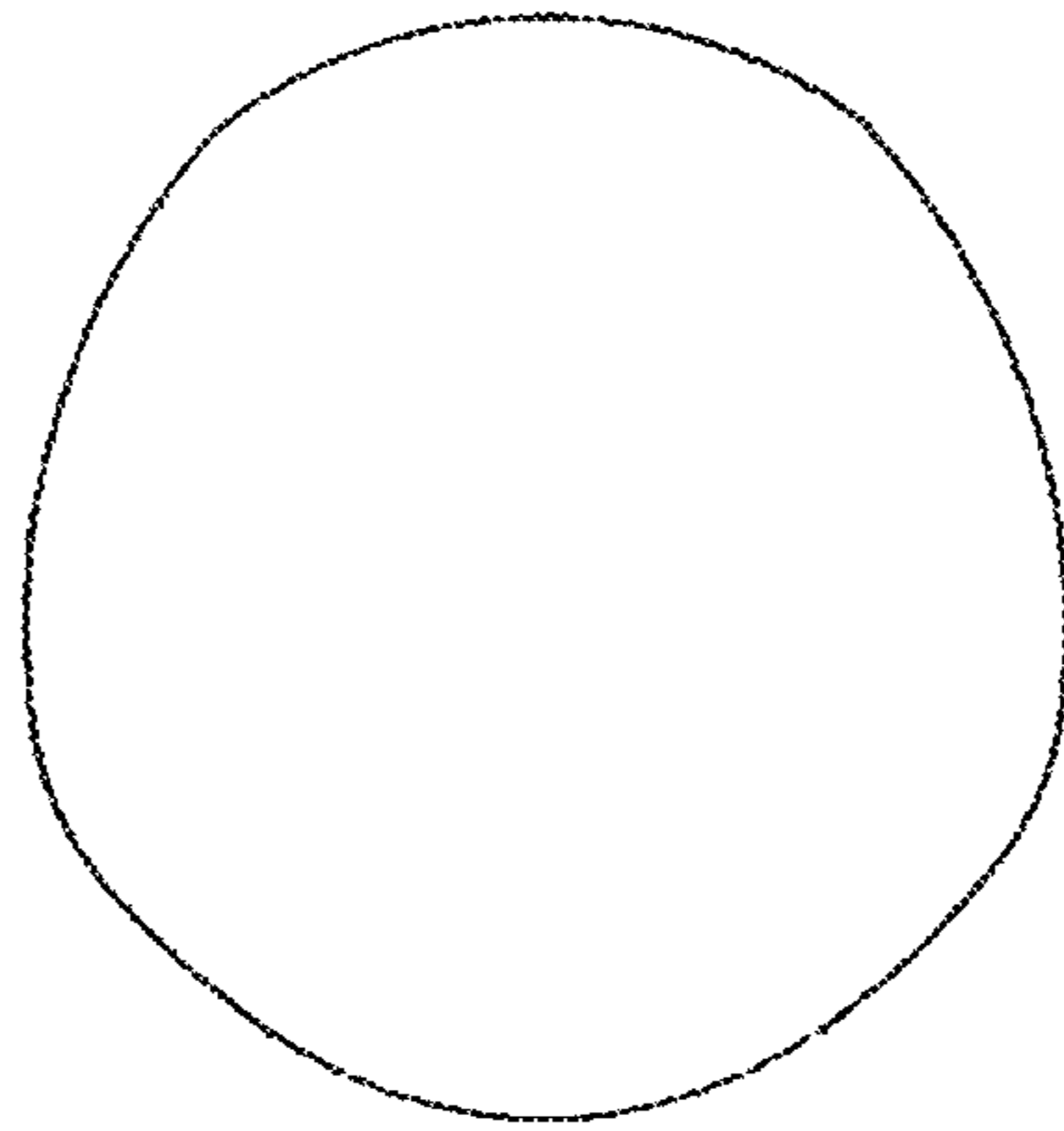


FIG. 7

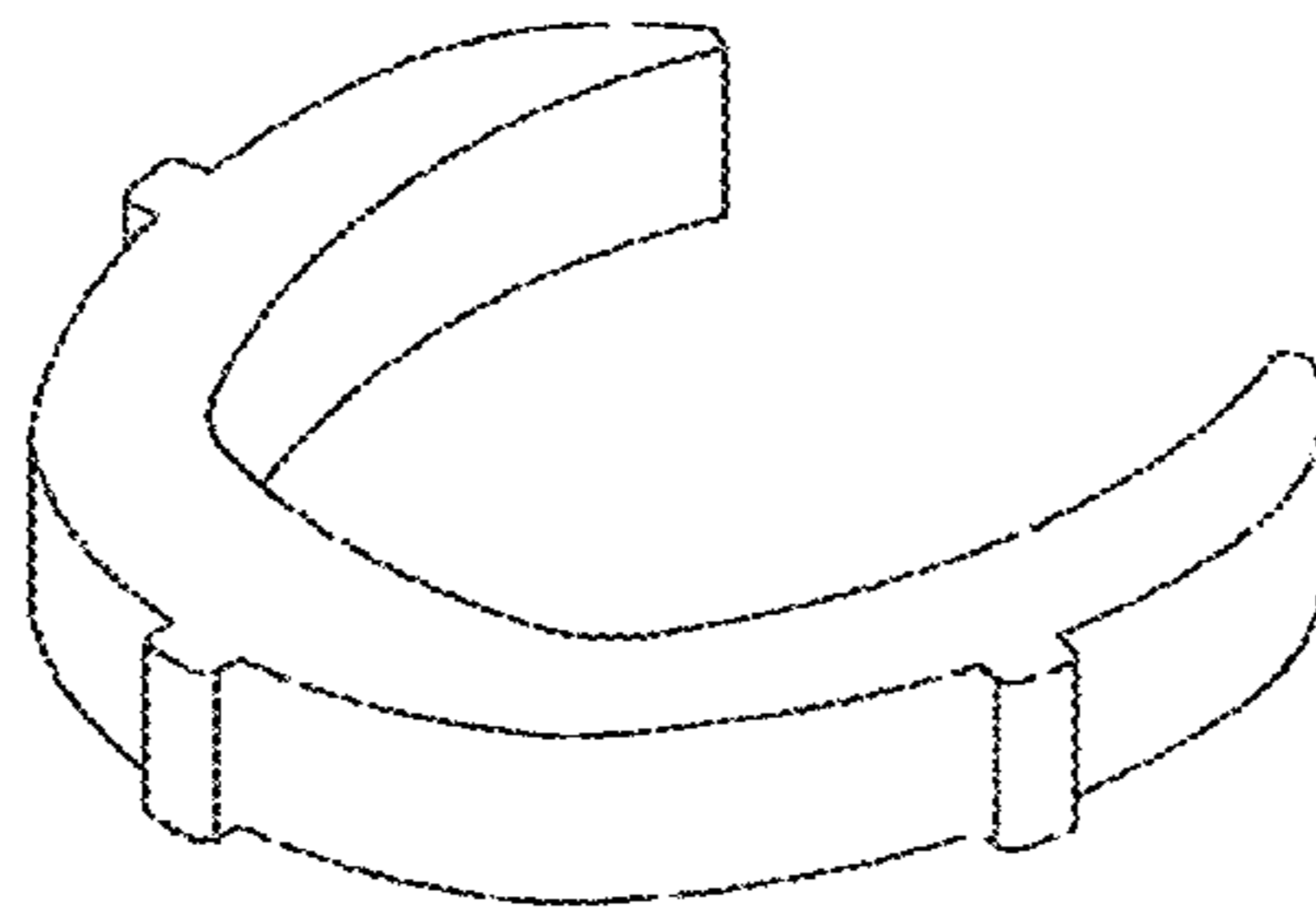


FIG. 8

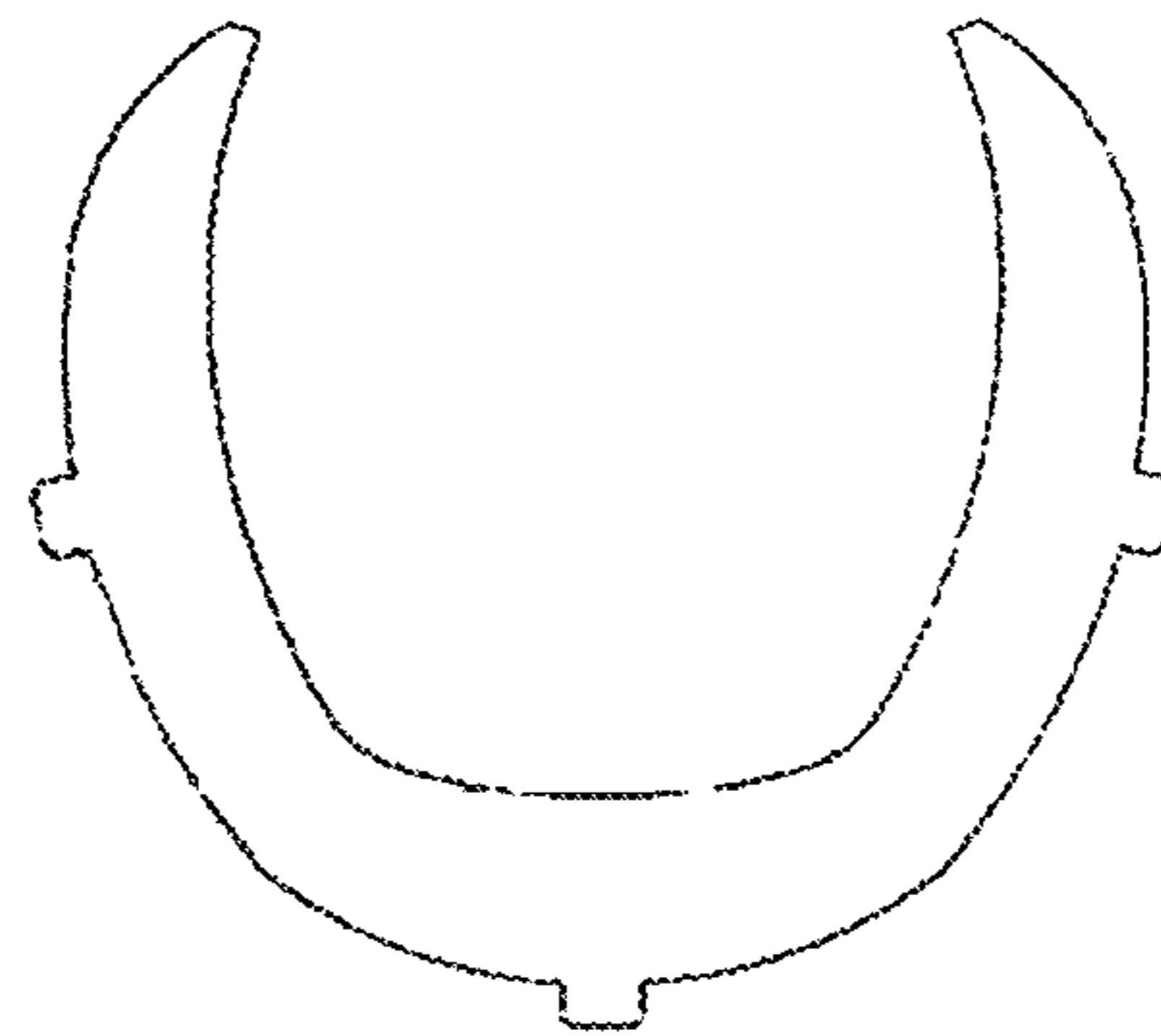


FIG. 9

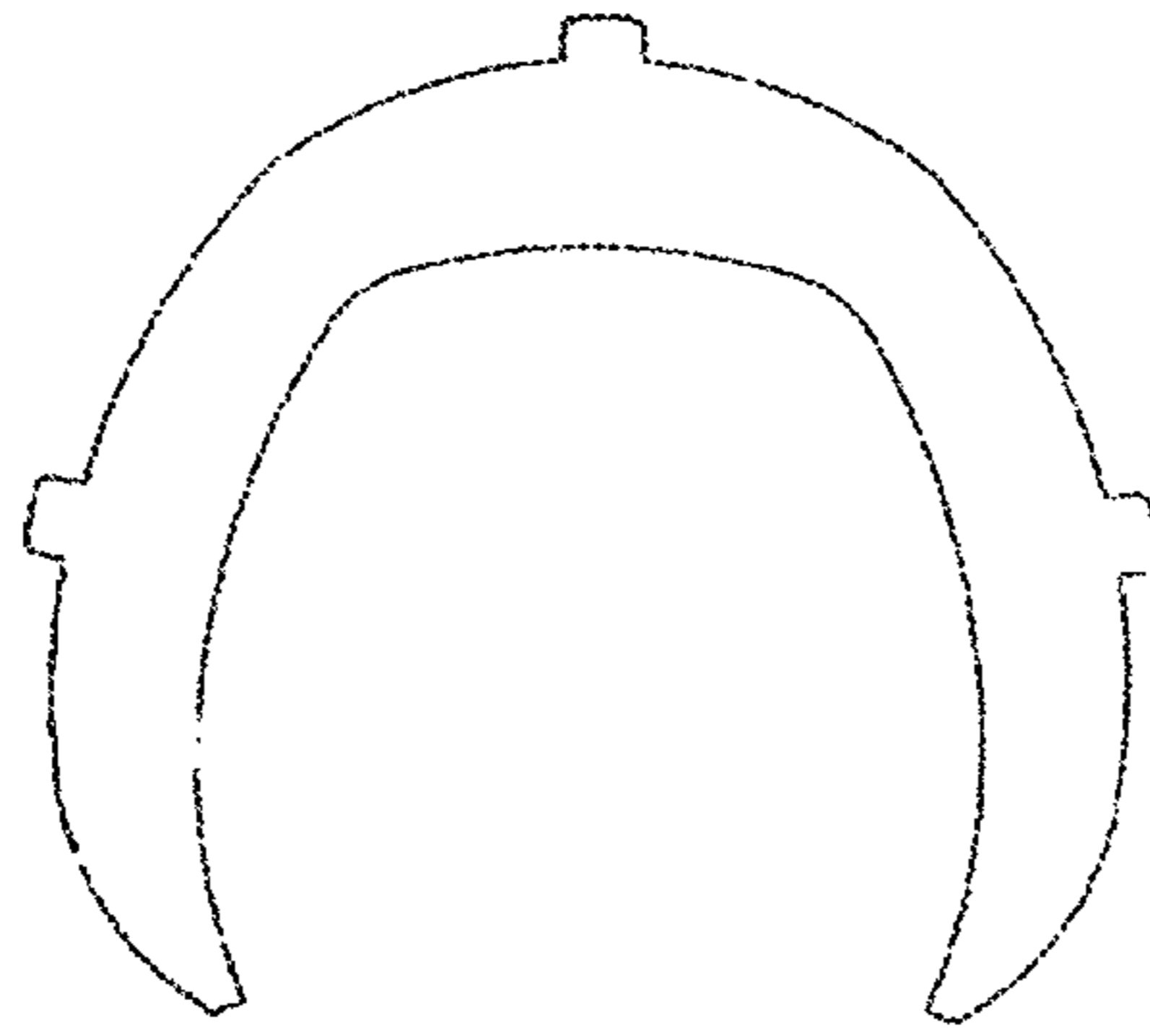


FIG. 10



FIG. 11



FIG. 12



FIG. 13



FIG. 14

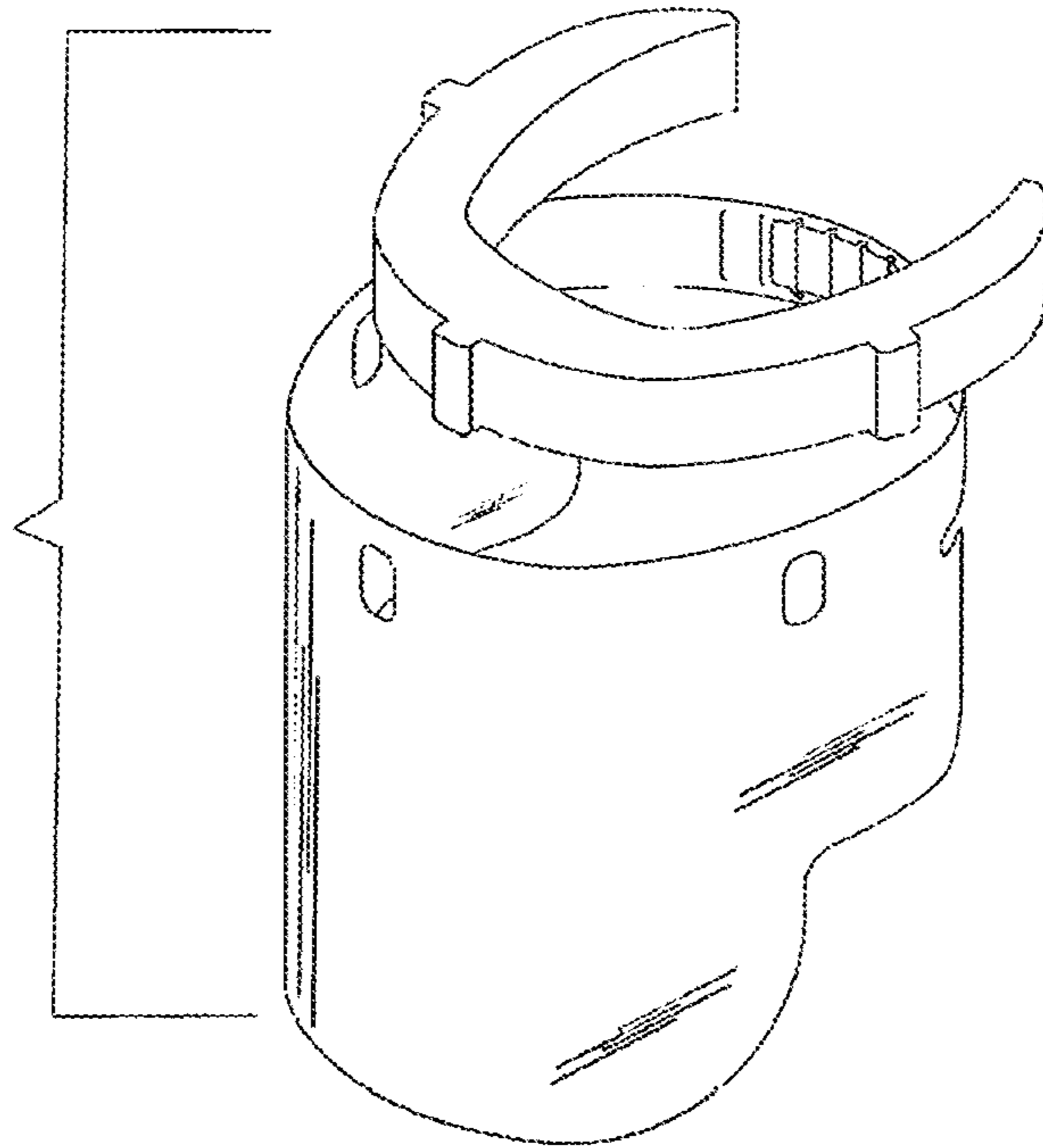


FIG. 15

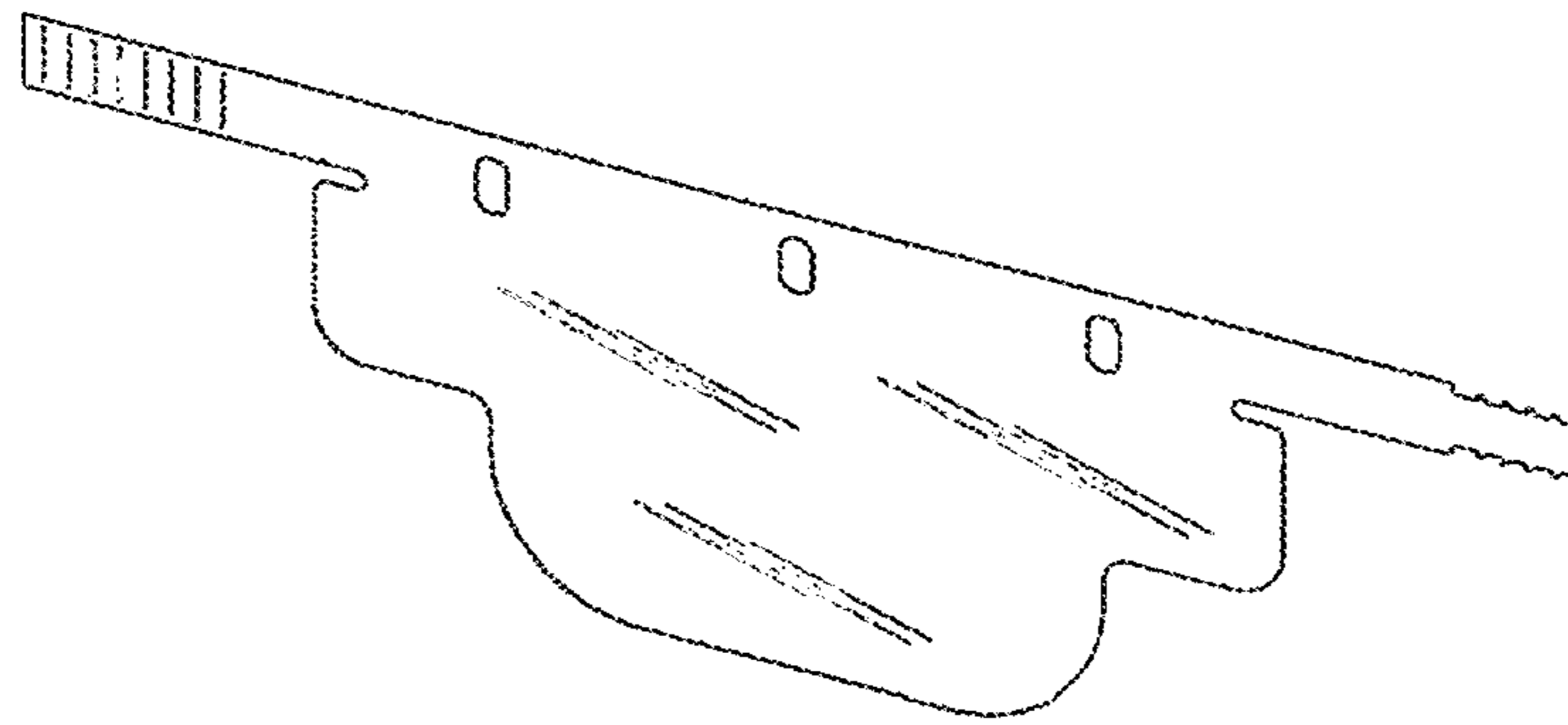


FIG. 16



FIG. 17



FIG. 18

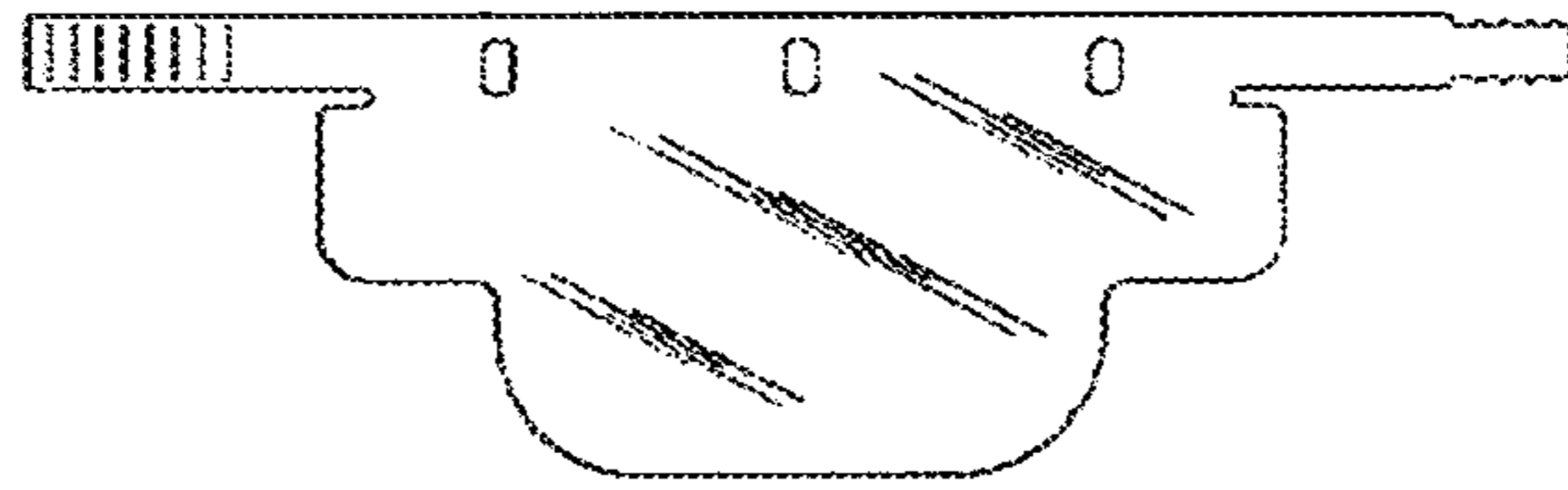


FIG. 19

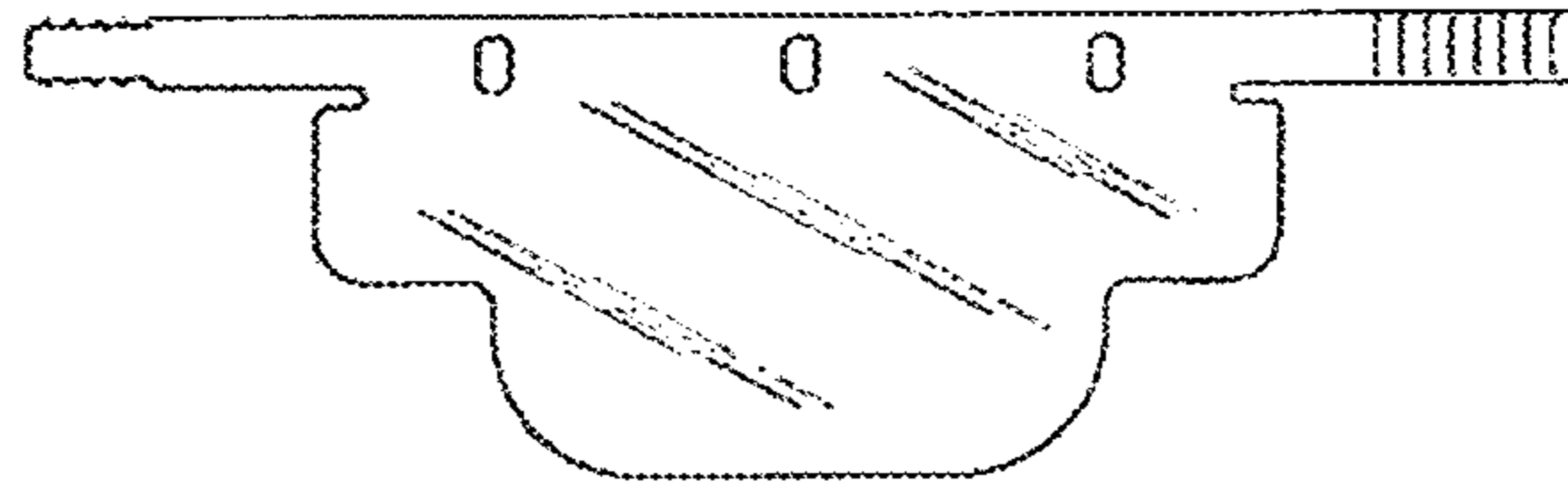


FIG. 20

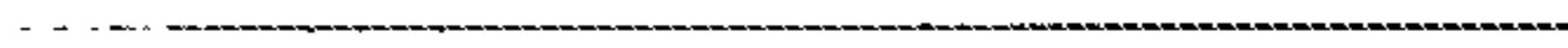


FIG. 21



FIG. 22