



US00D928413S

(12) **United States Design Patent** (10) **Patent No.:** **US D928,413 S**
Baker (45) **Date of Patent:** **** Aug. 17, 2021**

(54) **FACE SHIELD**

(71) Applicant: **Jay Baker**, Mayville, NY (US)

(72) Inventor: **Jay Baker**, Mayville, NY (US)

(**) Term: **15 Years**

(21) Appl. No.: **29/729,631**

(22) Filed: **Mar. 27, 2020**

(51) **LOC (13) Cl.** **29-02**

(52) **U.S. Cl.**
USPC **D29/110**

(58) **Field of Classification Search**
USPC D29/105–110, 123; D24/110.1–110.2;
D2/866, 893; D28/10; D16/310–312
See application file for complete search history.

(56) **References Cited**

U.S. PATENT DOCUMENTS

- 2,798,222 A * 7/1957 Evans A42B 3/225
2/9
- 4,950,445 A * 8/1990 Salce A41D 13/1184
264/549
- 5,009,225 A * 4/1991 Vrabel A41D 13/1184
128/200.24
- D321,958 S * 11/1991 Salce D29/110
- 5,088,114 A * 2/1992 Salce A41D 13/1184
2/9
- D358,684 S * 5/1995 Salce D29/108
- 5,956,760 A * 9/1999 Wine A41D 13/1184
2/9
- D658,333 S * 4/2012 Folkesson D29/108

- D667,590 S * 9/2012 Williams D29/102
- D670,036 S * 10/2012 Folkesson D29/108
- D762,925 S * 8/2016 Axelsson D29/122
- D888,228 S * 6/2020 Hare D24/110.3
- 2007/0220649 A1* 9/2007 Huh A42B 3/226
2/9
- 2020/0353294 A1* 11/2020 Feasey A61F 9/029

FOREIGN PATENT DOCUMENTS

CN 306145215 * 11/2020

* cited by examiner

Primary Examiner — Robert A Delehanty

(74) *Attorney, Agent, or Firm* — The Bilicki Law Firm, P.C.; Carl A. Hjort, III

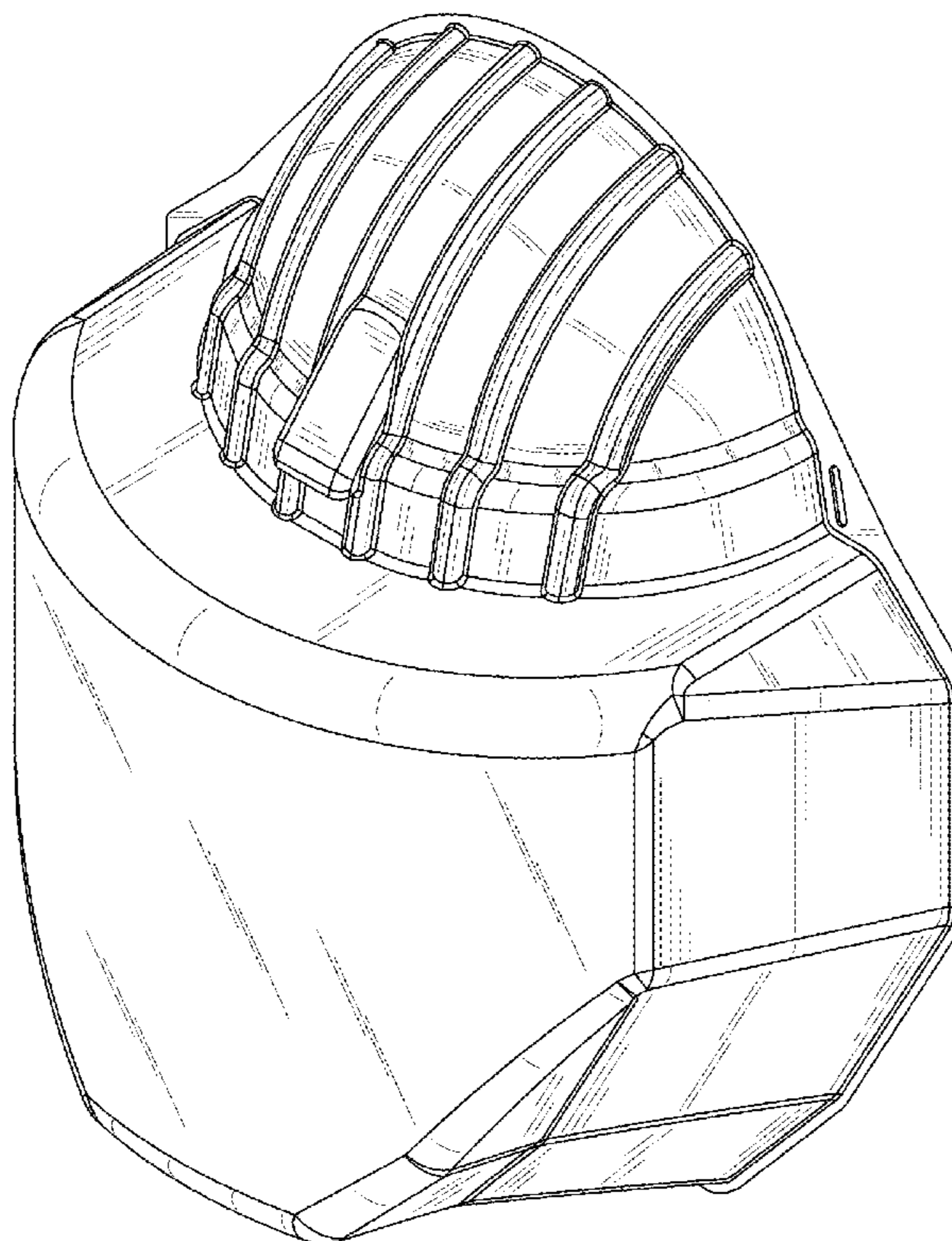
(57) **CLAIM**

The ornamental design for a face shield, as shown and described.

DESCRIPTION

FIG. 1 is a top right perspective view of a face shield according to the present design;
 FIG. 2 is a front elevational view thereof;
 FIG. 3 is a right side elevational view thereof;
 FIG. 4 is a left side elevational view thereof;
 FIG. 5 is a top plan view thereof;
 FIG. 6 is a bottom plan view thereof; and,
 FIG. 7 is a top right perspective view of the face shield in a representative environment. The elements shown in broken lines are for illustration purposes only and form no part of the present design.

1 Claim, 7 Drawing Sheets



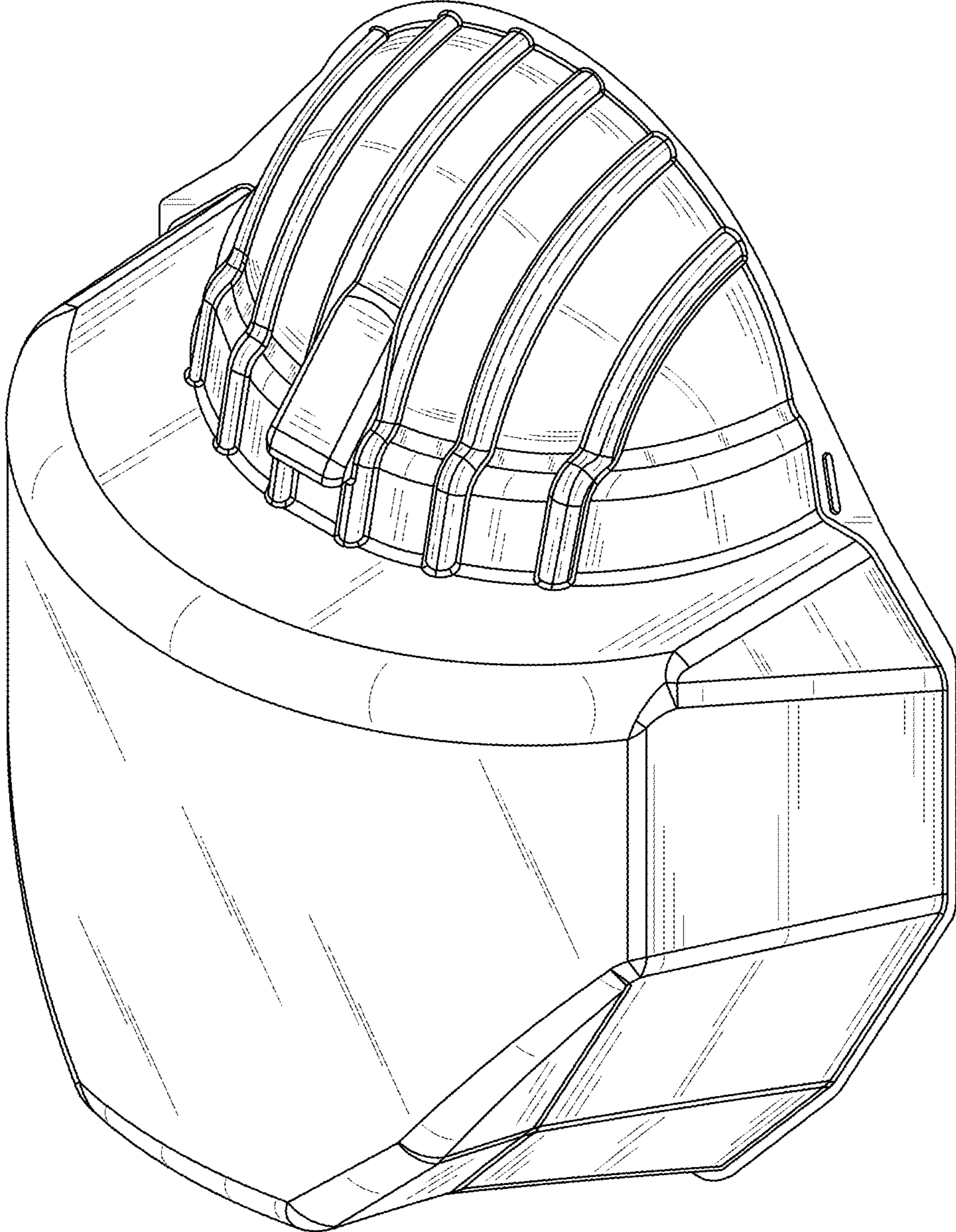


FIG. 1

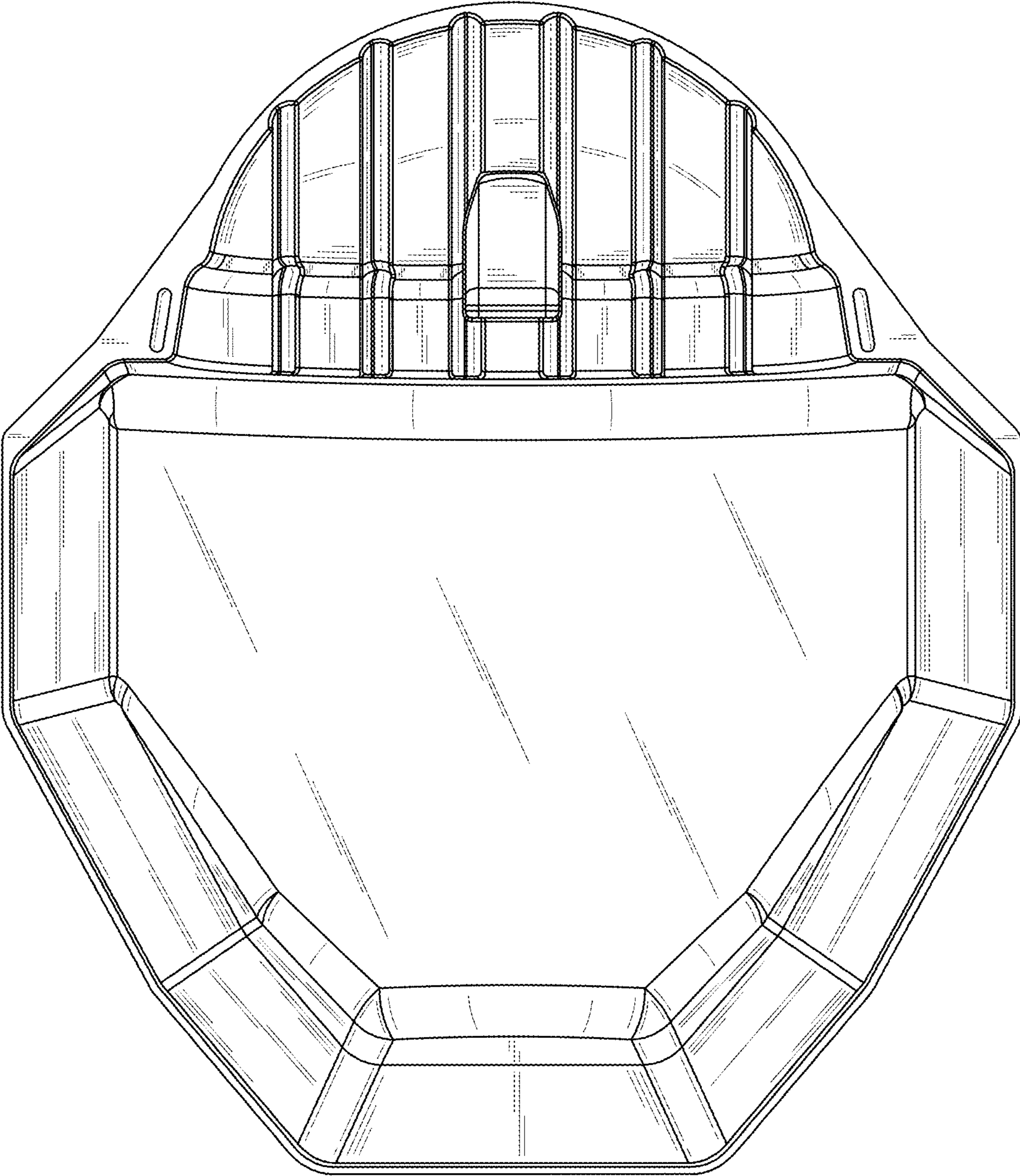


FIG. 2

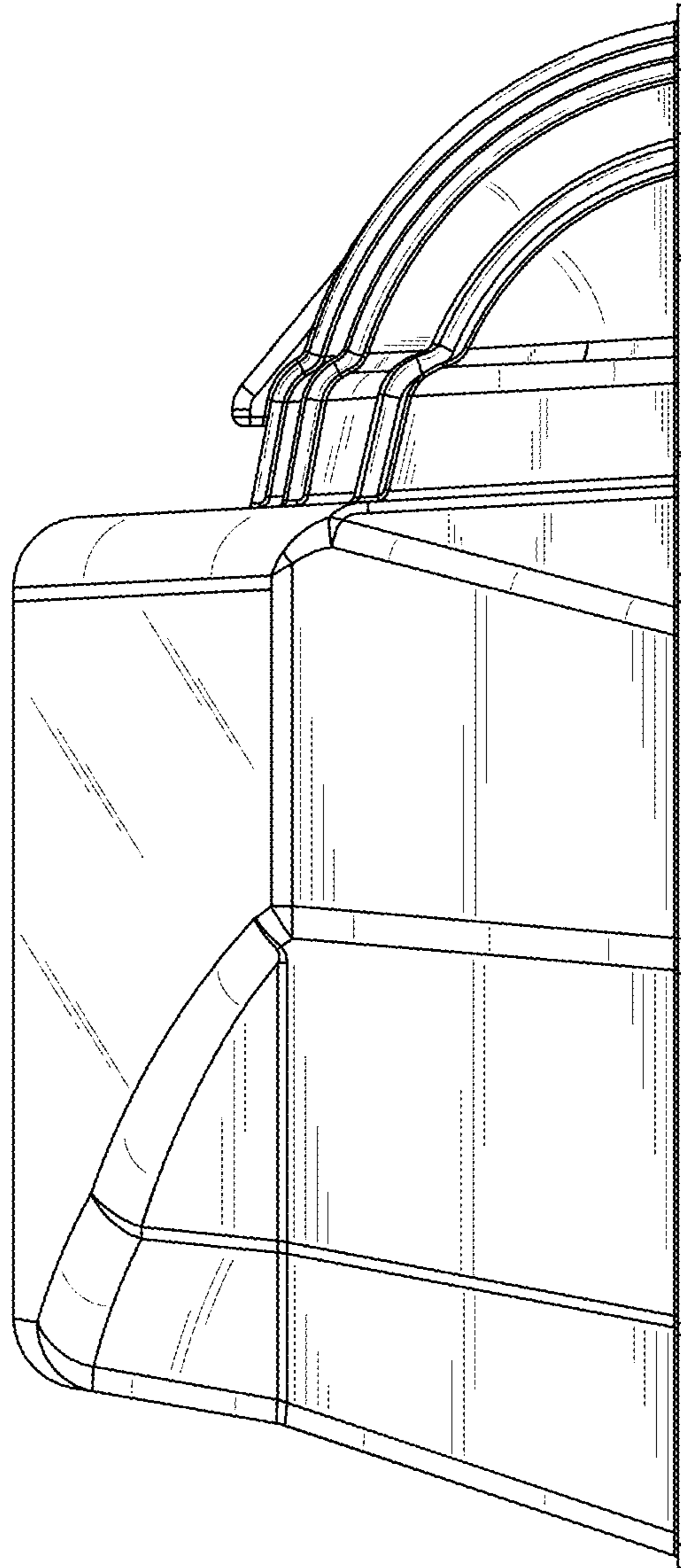


FIG. 3

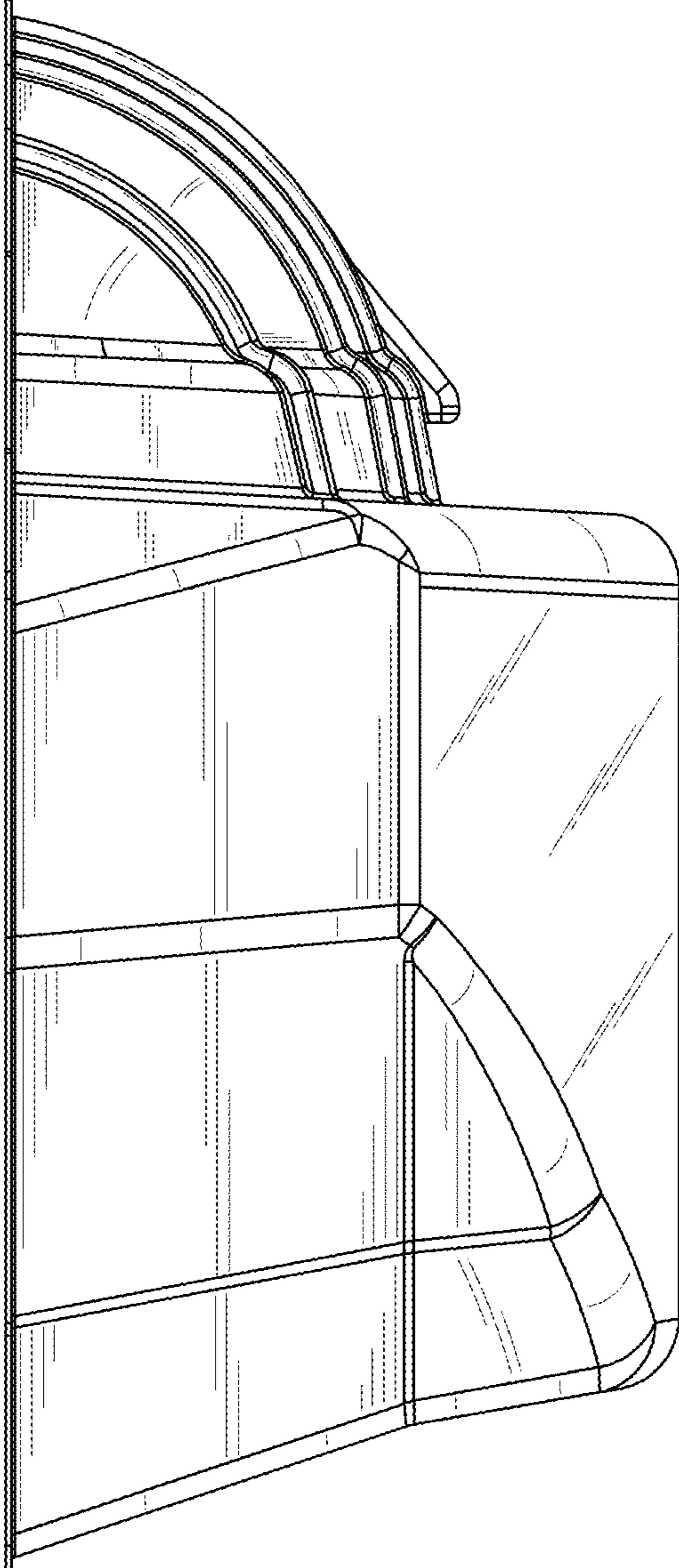


FIG. 4

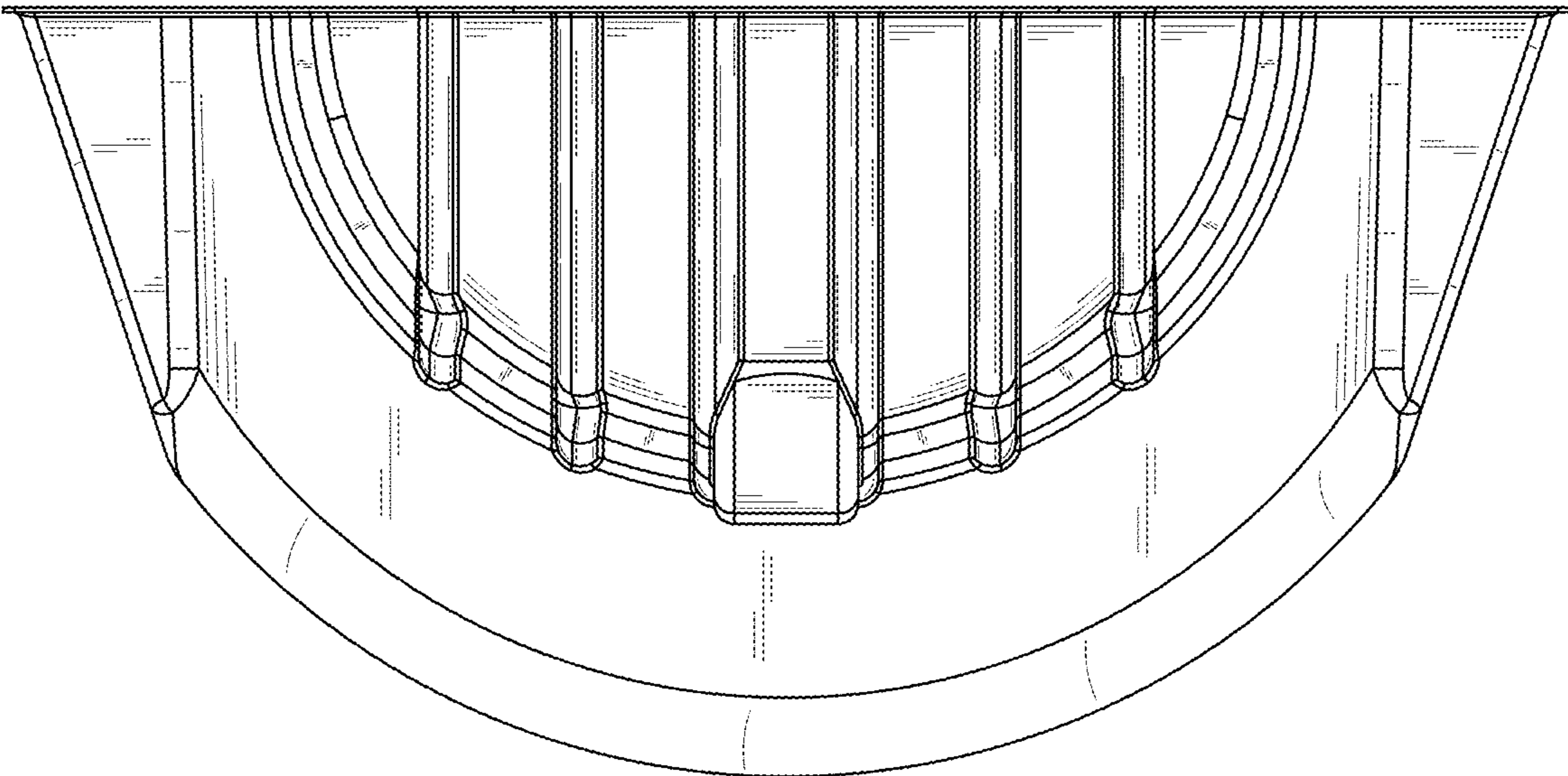


FIG. 5

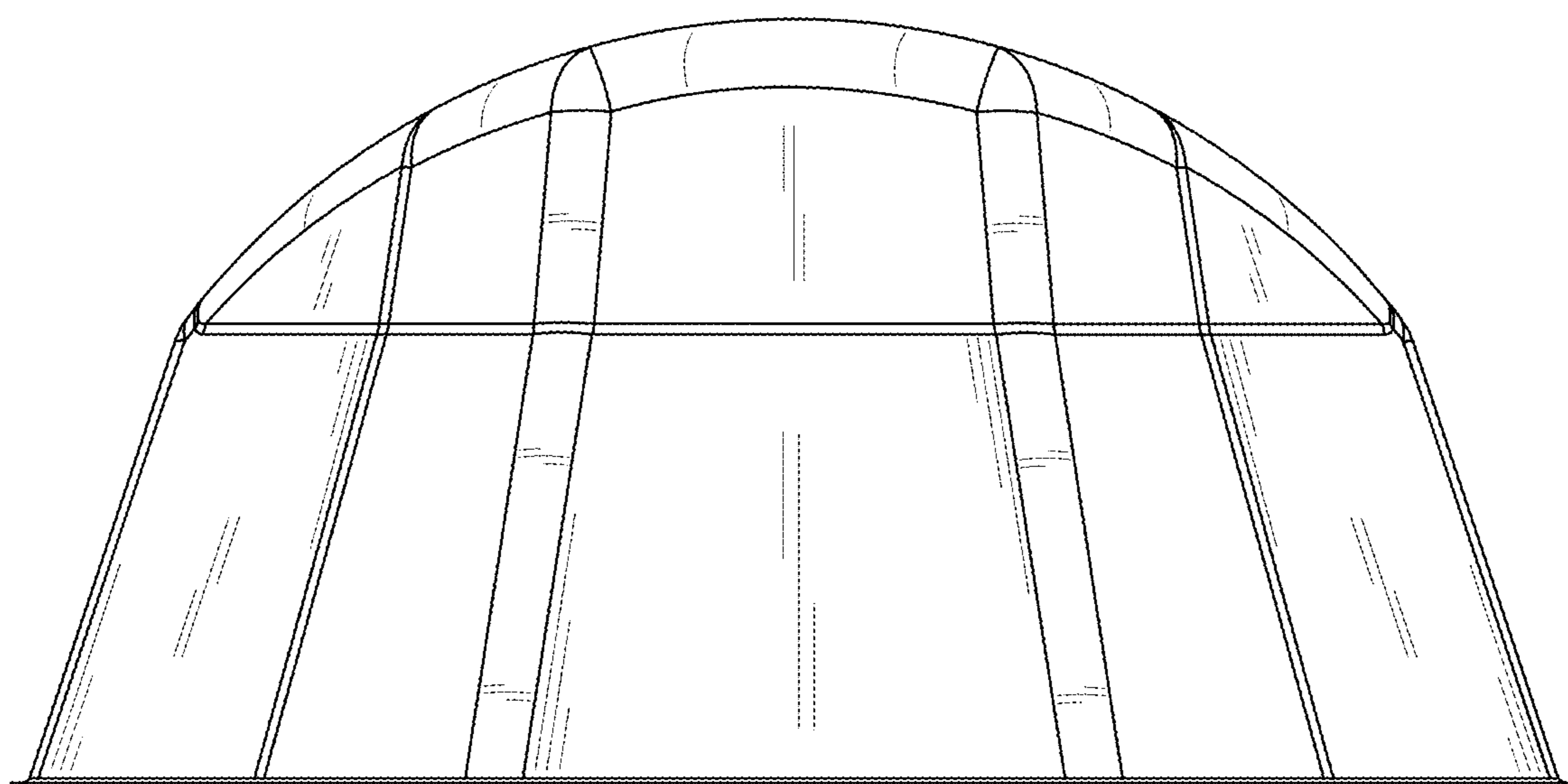


FIG. 6

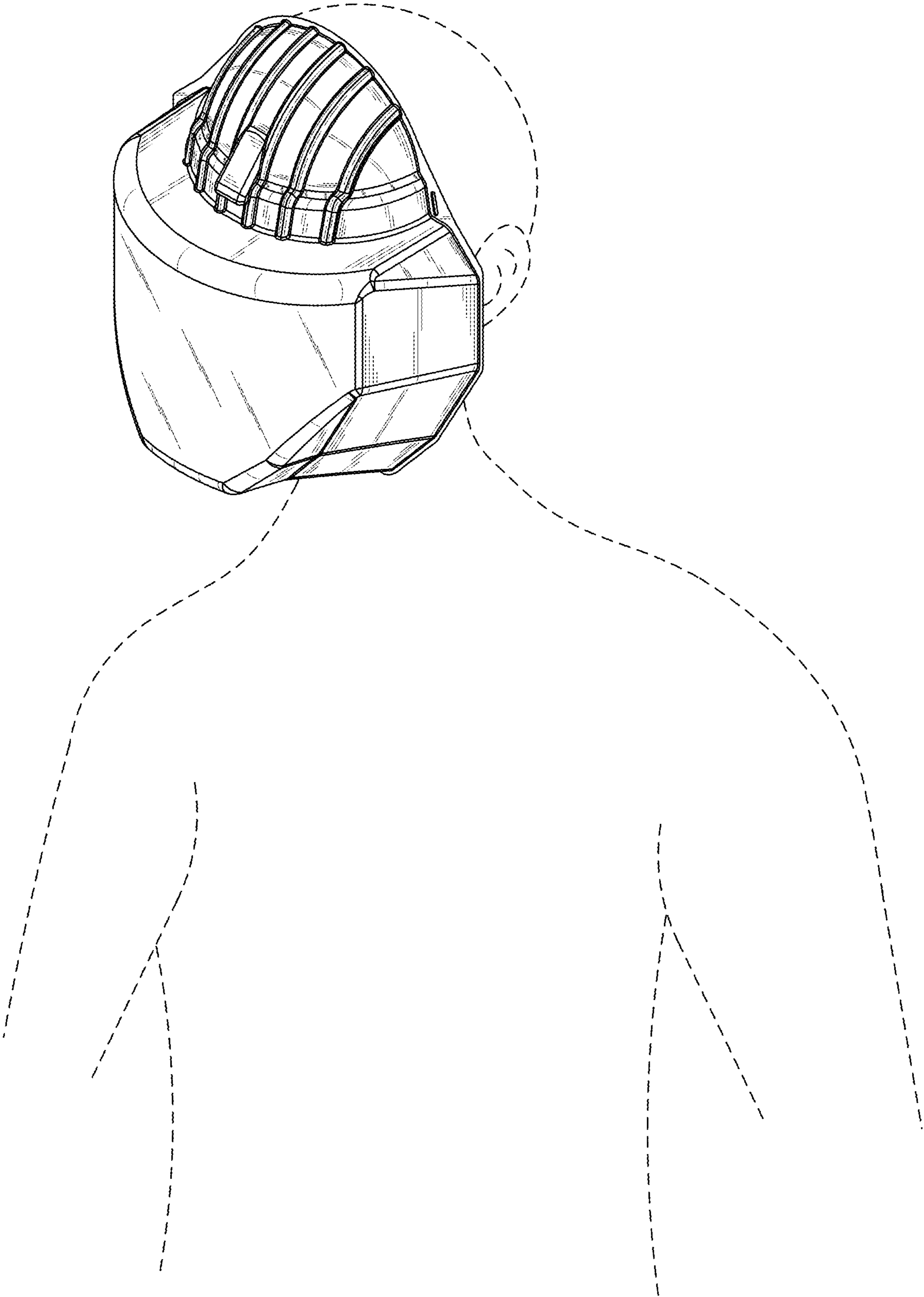


FIG. 7