



US00D928410S

(12) **United States Design Patent** (10) **Patent No.:** **US D928,410 S**  
**Kim** (45) **Date of Patent:** **\*\* Aug. 17, 2021**

(54) **CASE FOR COSMETIC BRUSH**

(71) Applicant: **CJ Olive Young Corporation**, Seoul (KR)

(72) Inventor: **Sunghoon Kim**, Hanam-si (KR)

(73) Assignee: **CJ OLIVE YOUNG CORPORATION**, Seoul (KR)

(\*\*) Term: **15 Years**

(21) Appl. No.: **29/728,815**

(22) Filed: **Mar. 20, 2020**

(30) **Foreign Application Priority Data**

Jan. 14, 2020 (KR) ..... 30-2020-0001553

(51) **LOC (13) Cl.** ..... **28-03**

(52) **U.S. Cl.**  
USPC ..... **D28/73**

(58) **Field of Classification Search**

USPC ... D3/203.1-203.8, 205-206, 215, 219, 226,  
D3/247, 250-252, 263-266, 273,  
D3/293-294, 298-299, 301, 303, 315,  
D3/901; D6/515, 517, 534, 536;  
D7/600.1, 600.4, 637; D9/734, 759-760;  
D19/101-103, 106, 194-195; D27/172,  
D27/180, 183, 186, 189-191; D28/73,  
D28/76, 85-86, 91; D4/199  
CPC .. A24F 9/16; A24F 13/14; A24F 15/00; A24F  
15/12; A24F 15/14; A24F 15/18; A24F  
15/20; A24F 23/00; A24F 23/04; A24F  
47/002; A24F 47/008; A45C 3/00; A45C  
5/00; A45C 5/005; A45C 5/04; A45C  
7/00; A45C 9/00; A45C 11/00; A45C

(Continued)

(56) **References Cited**

**U.S. PATENT DOCUMENTS**

2,888,020 A \* 5/1959 Schultz ..... A45D 34/00  
132/73.5  
D366,063 S \* 1/1996 Lanoie ..... D19/194

(Continued)

**FOREIGN PATENT DOCUMENTS**

JP D1667839 \* 7/2020  
KR 300795284.0000 \* 5/2015

**OTHER PUBLICATIONS**

Fillimilli S Silky Powder Brush (M) 882, unknown first available date, global.oliveyoung.com [online], [site visited Apr. 19, 2021], Available at internet URL: https://global.oliveyoung.com/product/fillimilli-s-silky-powder-brush-m-882-cleaner-special-set/40572/ (Year: 2021).\*

(Continued)

*Primary Examiner* — April Rivas

*Assistant Examiner* — Caitlin A Laverty

(74) *Attorney, Agent, or Firm* — Ladas & Parry LLP

(57) **CLAIM**

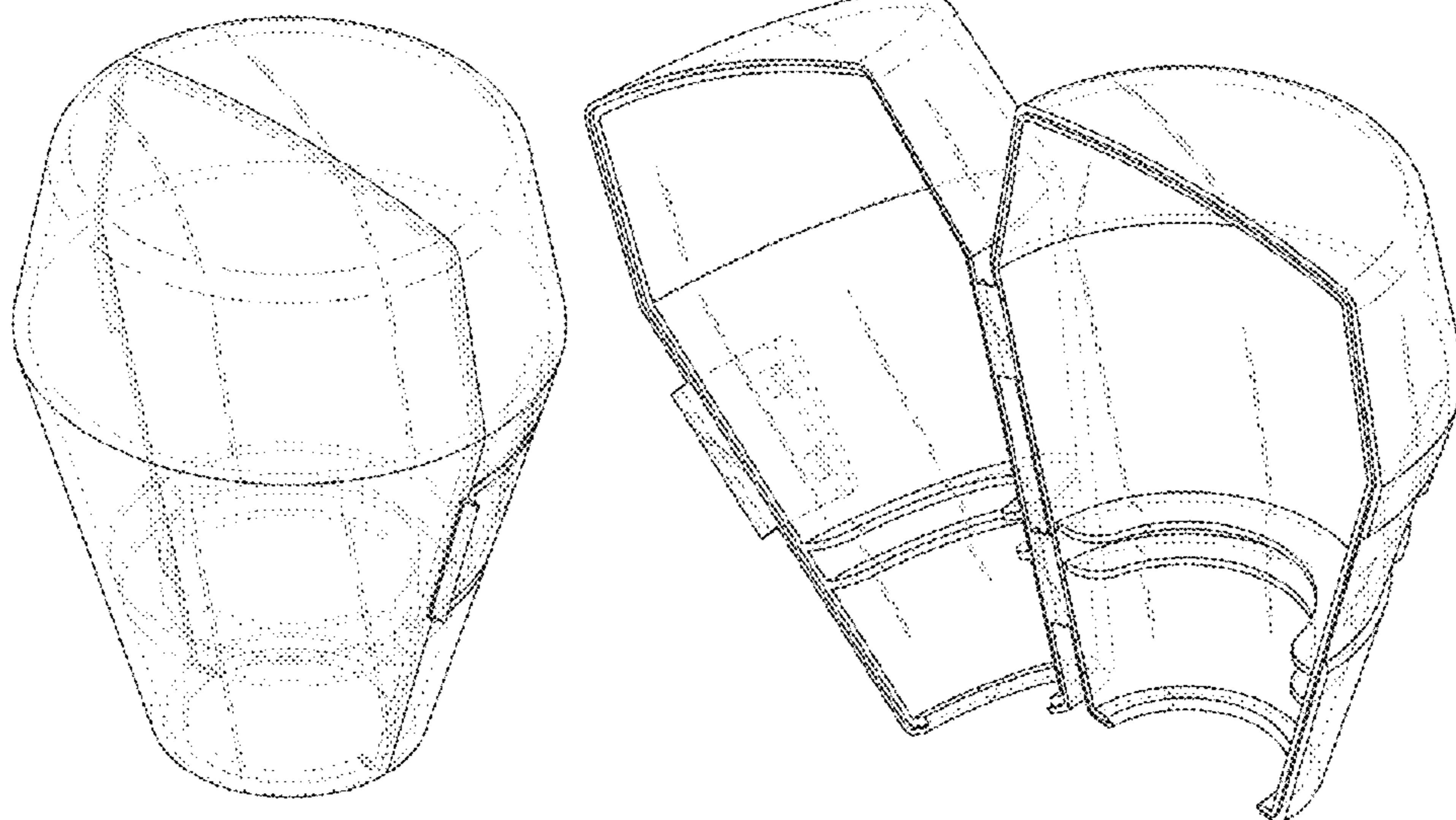
I claim the ornamental design for a case for cosmetic brush, as shown and described.

**DESCRIPTION**

FIG. 1 is a front perspective view of a case for cosmetic brush showing my new design;  
FIG. 2 is a front view thereof;  
FIG. 3 is a rear view thereof;  
FIG. 4 is a left-side view thereof;  
FIG. 5 is a right-side view thereof;  
FIG. 6 is a top view thereof;  
FIG. 7 is a bottom view thereof;  
FIG. 8 is a perspective view of a case for cosmetic brush of the present design in an open position; and,  
FIG. 9 shows the case of the present design mounted to a cosmetic brush.

The broken lines showing a cosmetic brush in FIG. 9 form no part of the claimed design.

**1 Claim, 9 Drawing Sheets**



(58) **Field of Classification Search**

CPC ..... 11/008; A45C 11/04; A45C 11/16; A45C 11/24; A45C 11/26; A45C 11/34; A45C 11/36; A45C 13/002; A45C 2011/007; A45D 33/12; A45D 33/14; A45D 33/22; A45D 33/24; A45D 33/26; A45D 33/28; A45D 34/00; A45D 34/04; A45D 34/041; A45D 34/06; A45D 40/00; A45D 40/18; A45D 40/26; A45D 40/261; A45D 40/262; A45D 44/11; A45D 44/18; A47F 7/02; A47F 7/021; A61J 1/00; A61J 1/03; A61J 7/04; A61J 7/0084; B65D 1/36; B65D 43/16; B65D 50/04; B65D 83/04; B65D 83/0445; B65D 83/0481; B65D 85/00; B65D 85/02; B65D 85/10

See application file for complete search history.

D747,972	S	*	1/2016	Allan	.....	D9/682
D761,022	S	*	7/2016	Wang	.....	D3/293
D772,579	S	*	11/2016	Baranes	.....	D4/116
D778,502	S	*	2/2017	Teller	.....	D28/85
D778,503	S	*	2/2017	Teller	.....	D28/85
D845,549	S	*	4/2019	Nicoline	.....	D28/73
D884,282	S	*	5/2020	Jung	.....	D28/76
D894,001	S	*	8/2020	Huang	.....	D9/444
D915,672	S	*	4/2021	Atlason	.....	D28/47
D920,578	S	*	5/2021	Min	.....	D28/76
D920,580	S	*	5/2021	Min	.....	D28/85
2013/0056377	A1	*	3/2013	Shaughness	.....	A46B 17/04 206/361
2014/0332642	A1	*	11/2014	Lim	.....	A46B 17/04 248/111
2017/0013935	A1	*	1/2017	Schlatter	.....	A45D 40/00
2019/0216201	A1	*	7/2019	Huang	.....	A45D 34/04
2020/0405048	A1	*	12/2020	Pyne	.....	A46B 17/04

(56) **References Cited**

U.S. PATENT DOCUMENTS

D433,799	S	*	11/2000	Weinstock	.....	D3/215
D459,550	S	*	6/2002	Ng	.....	D28/73
D477,227	S	*	7/2003	Goswell	.....	D9/529
D592,502	S	*	5/2009	Casebasse	.....	D9/431
D622,963	S	*	9/2010	Paik	.....	D4/199

OTHER PUBLICATIONS

Candy Drop—Set of 15: Acrylic Makeup Brush Head Cover, unknown first available date, yesstyle.com [online], [site visited Apr. 19, 2021], Available at internet URL: <https://www.yesstyle.com/en/candy-drop-set-of-15-acrylic-makeup-brush-head-cover-15-pieces-one/info.html/pid.1094494242###productAnchor> (Year: 2021).\*

\* cited by examiner

FIG. 1

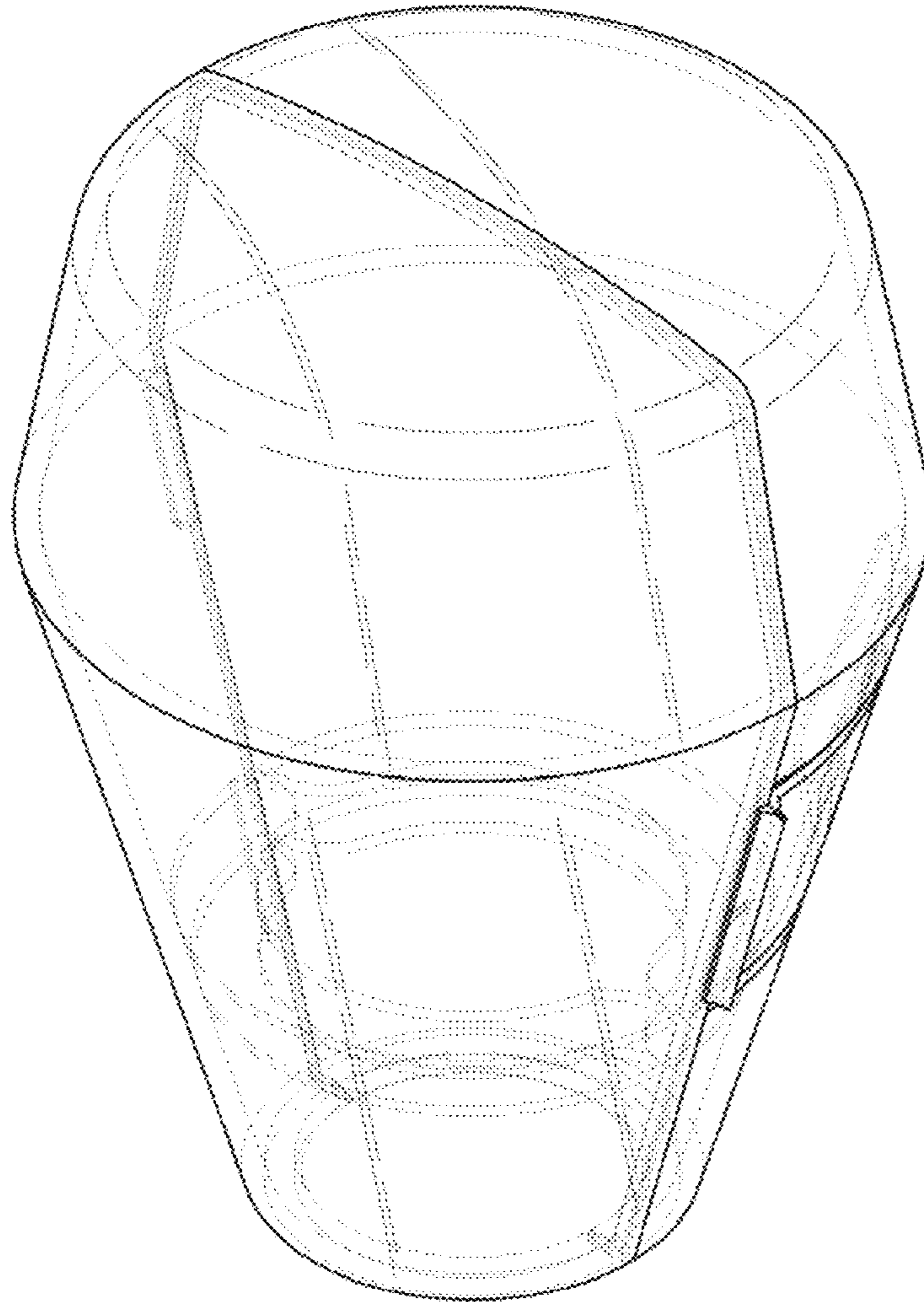


FIG. 2

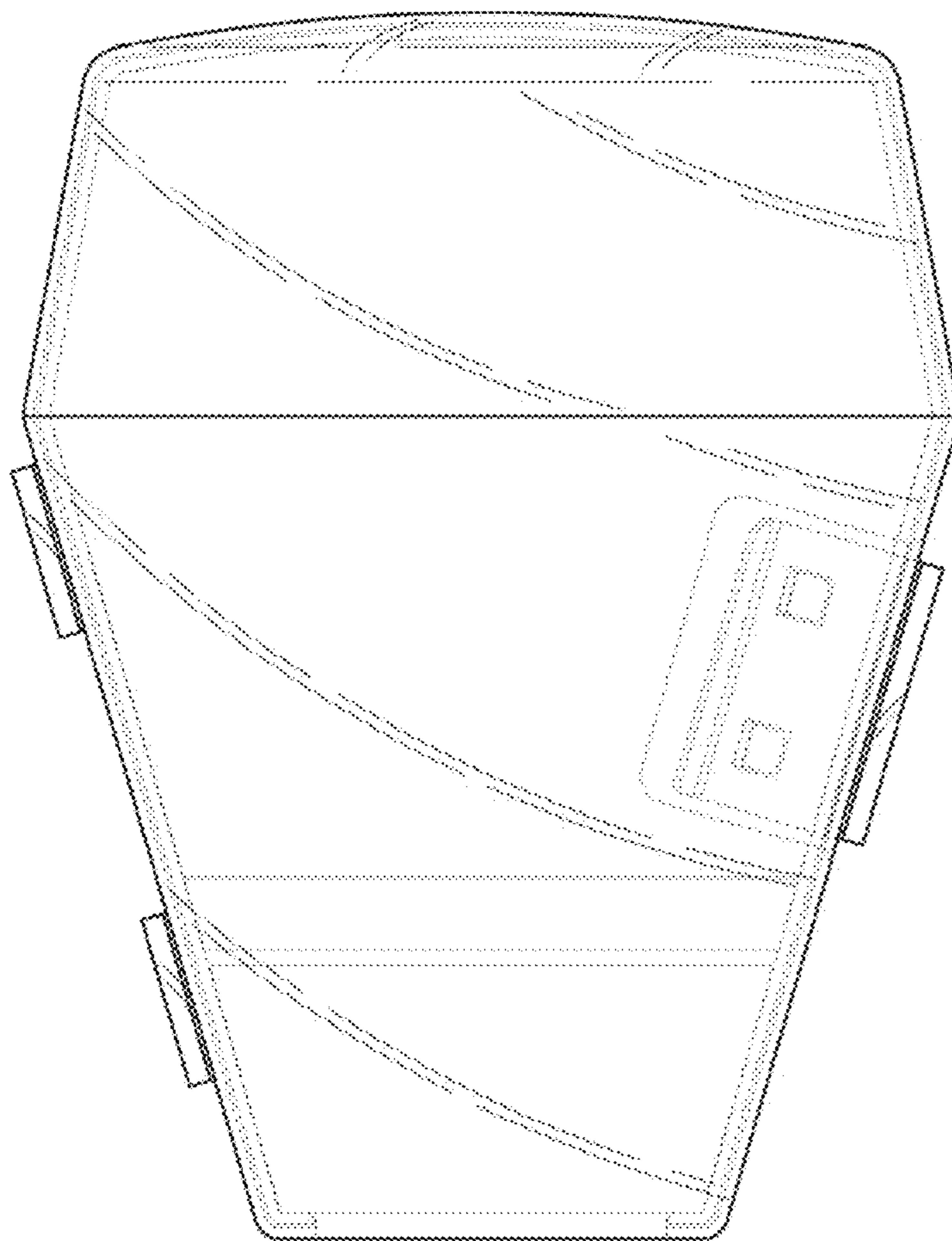


FIG. 3

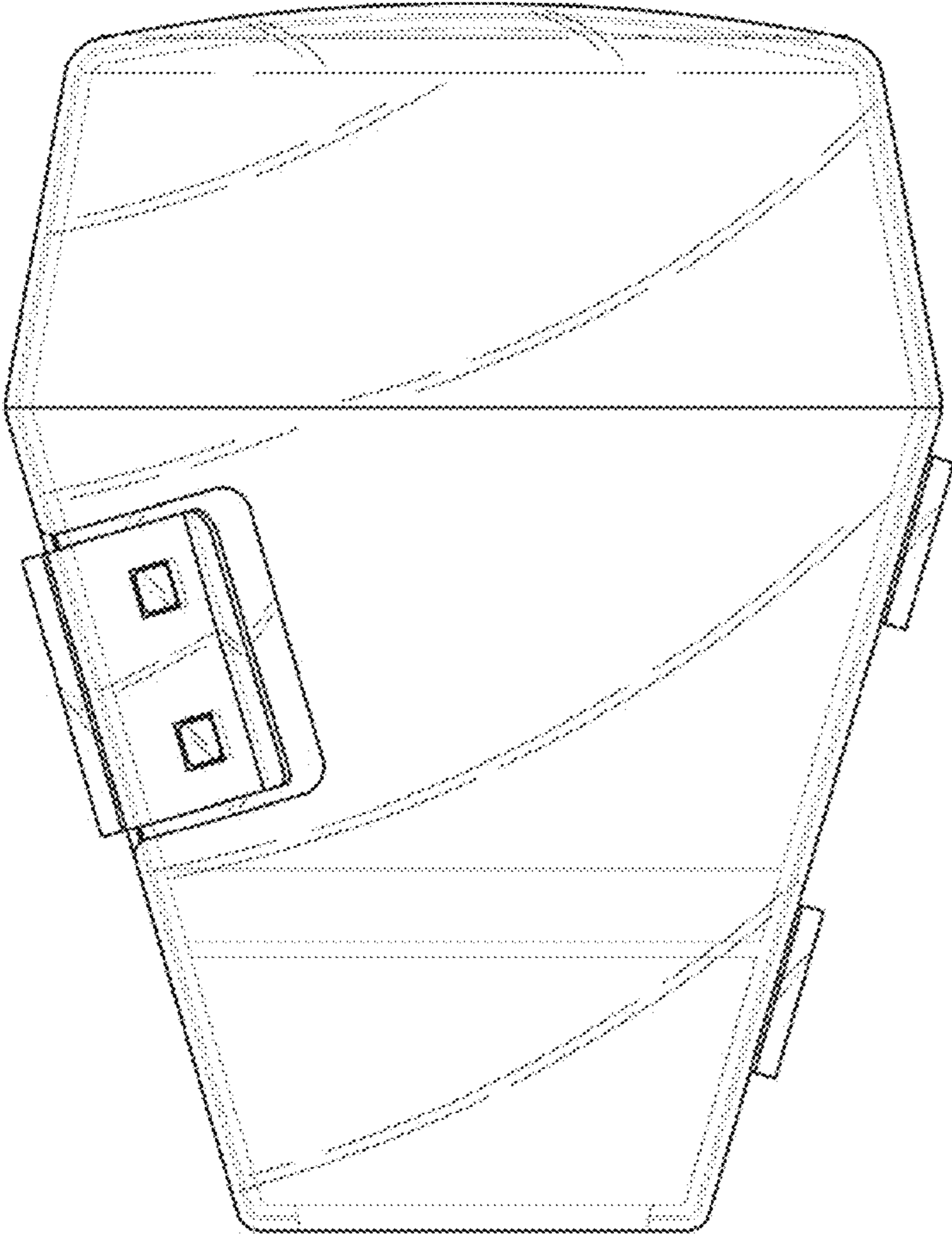


FIG. 4

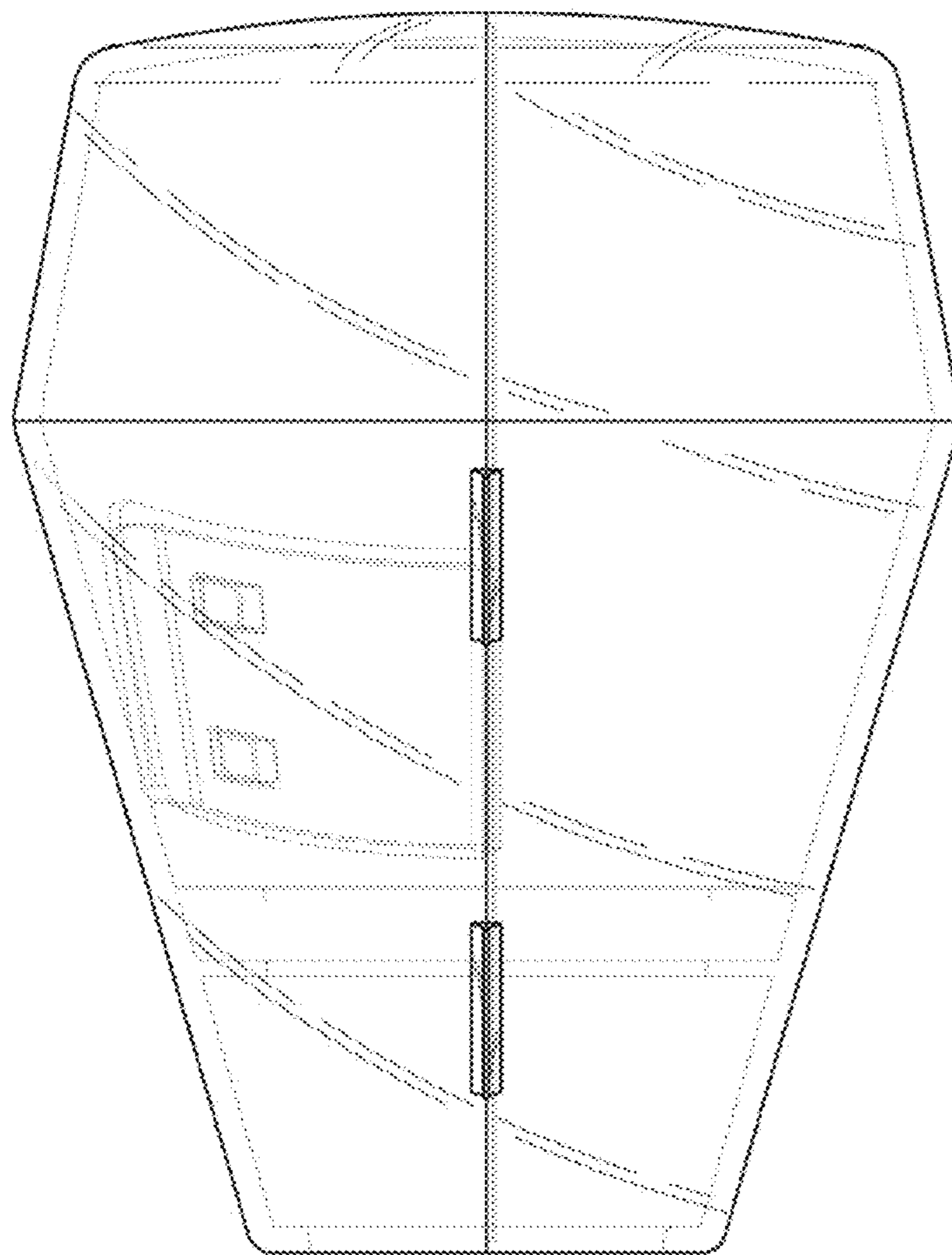


FIG. 5

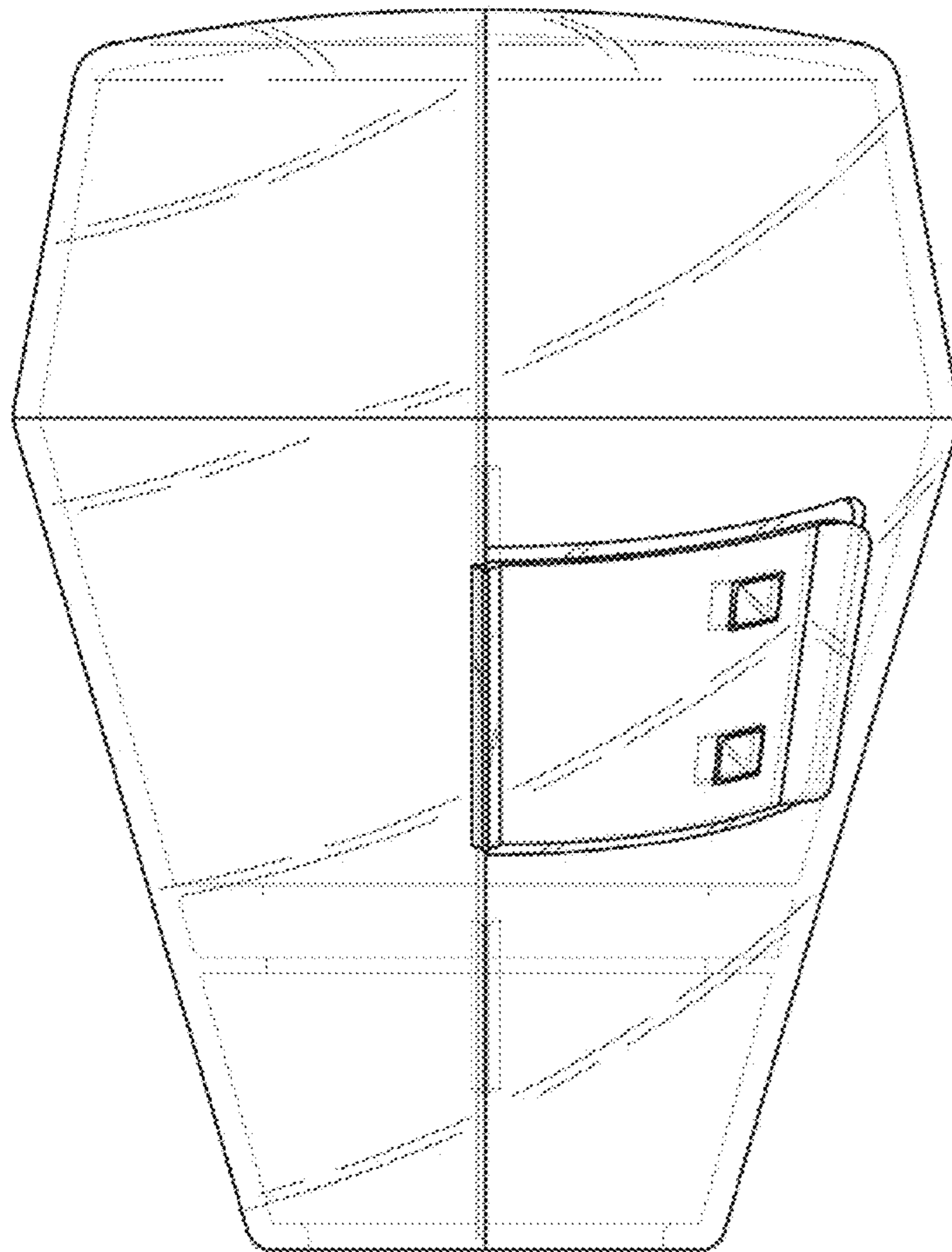


FIG. 6

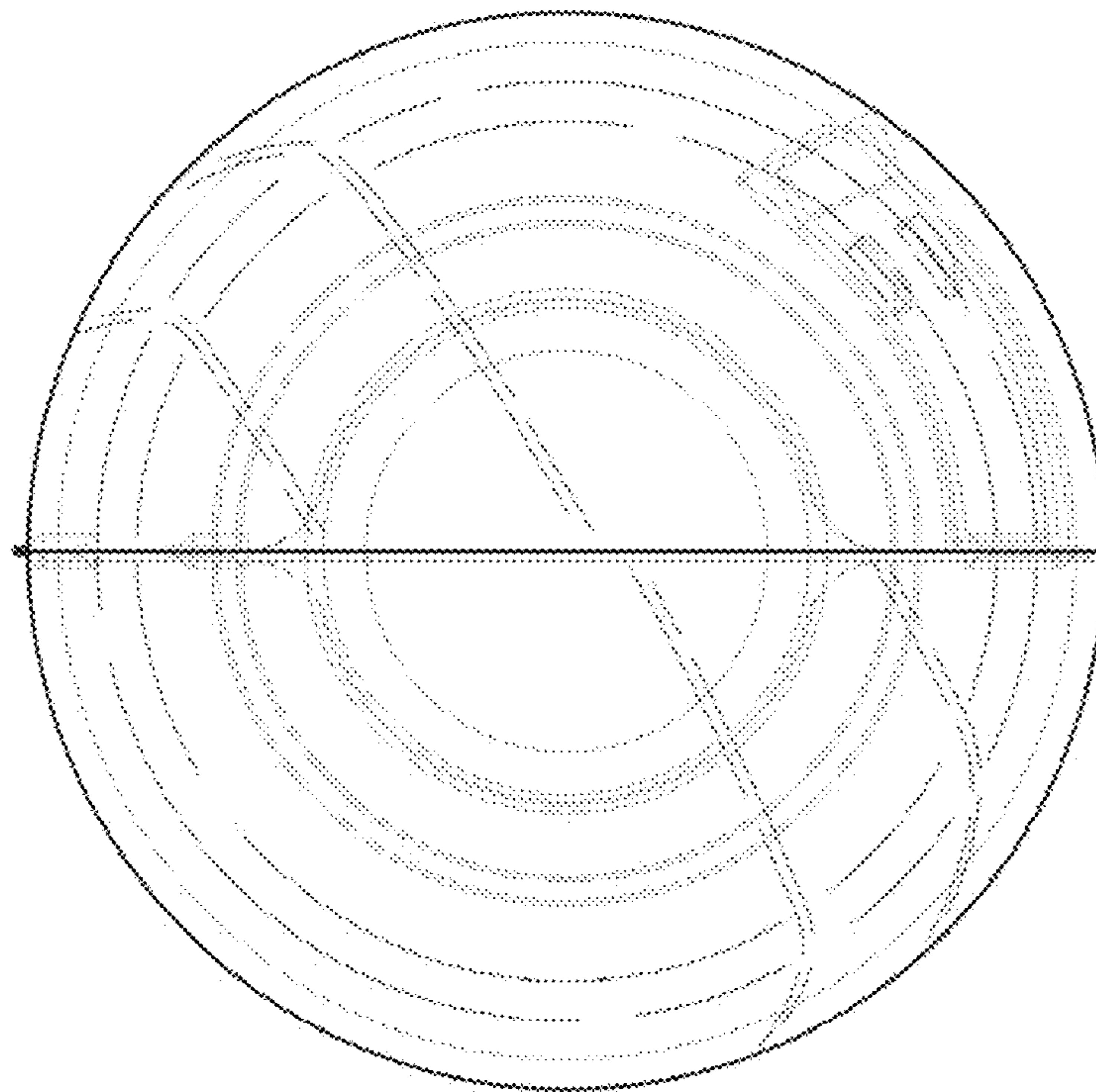




FIG. 7

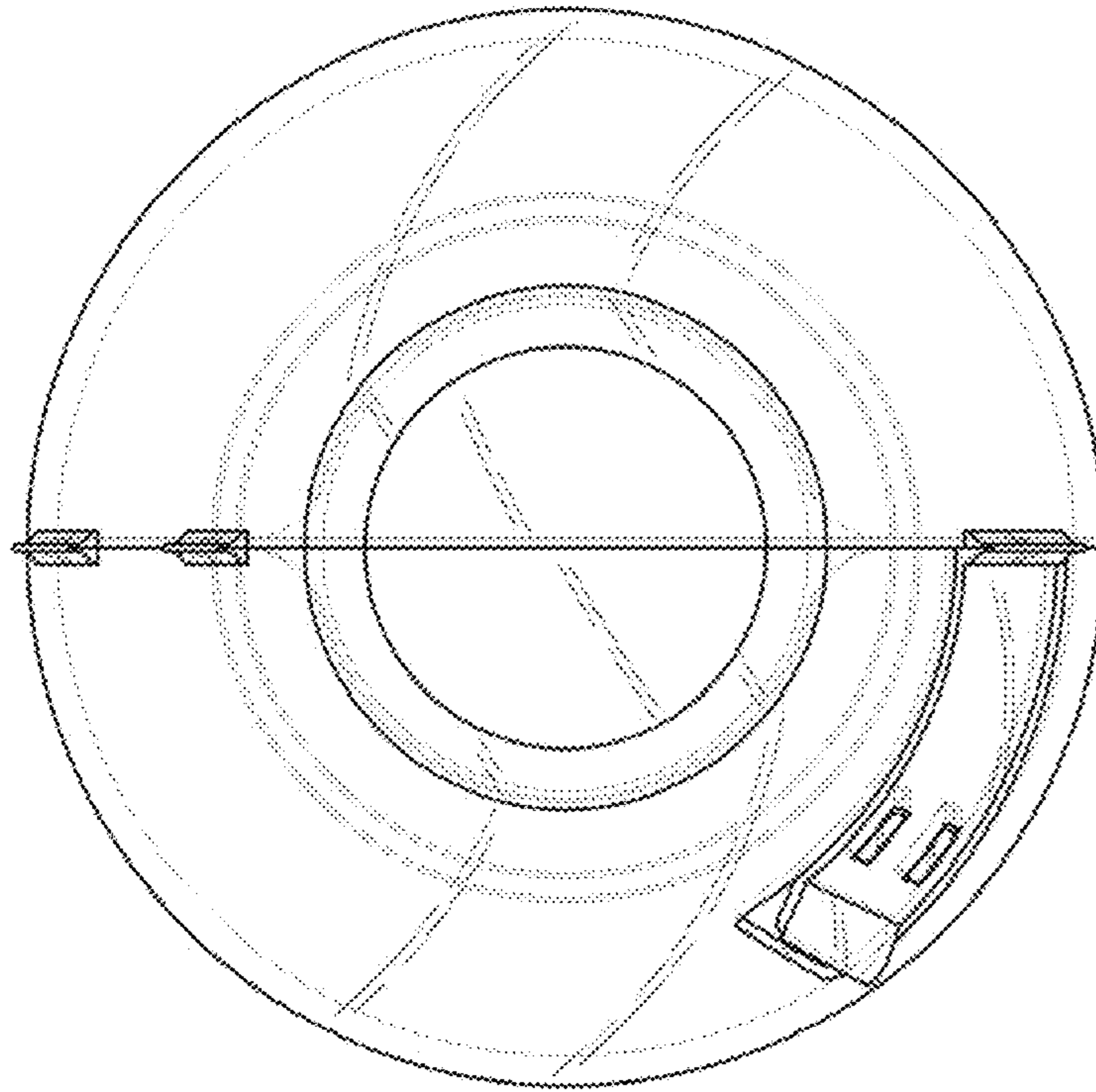


FIG. 8

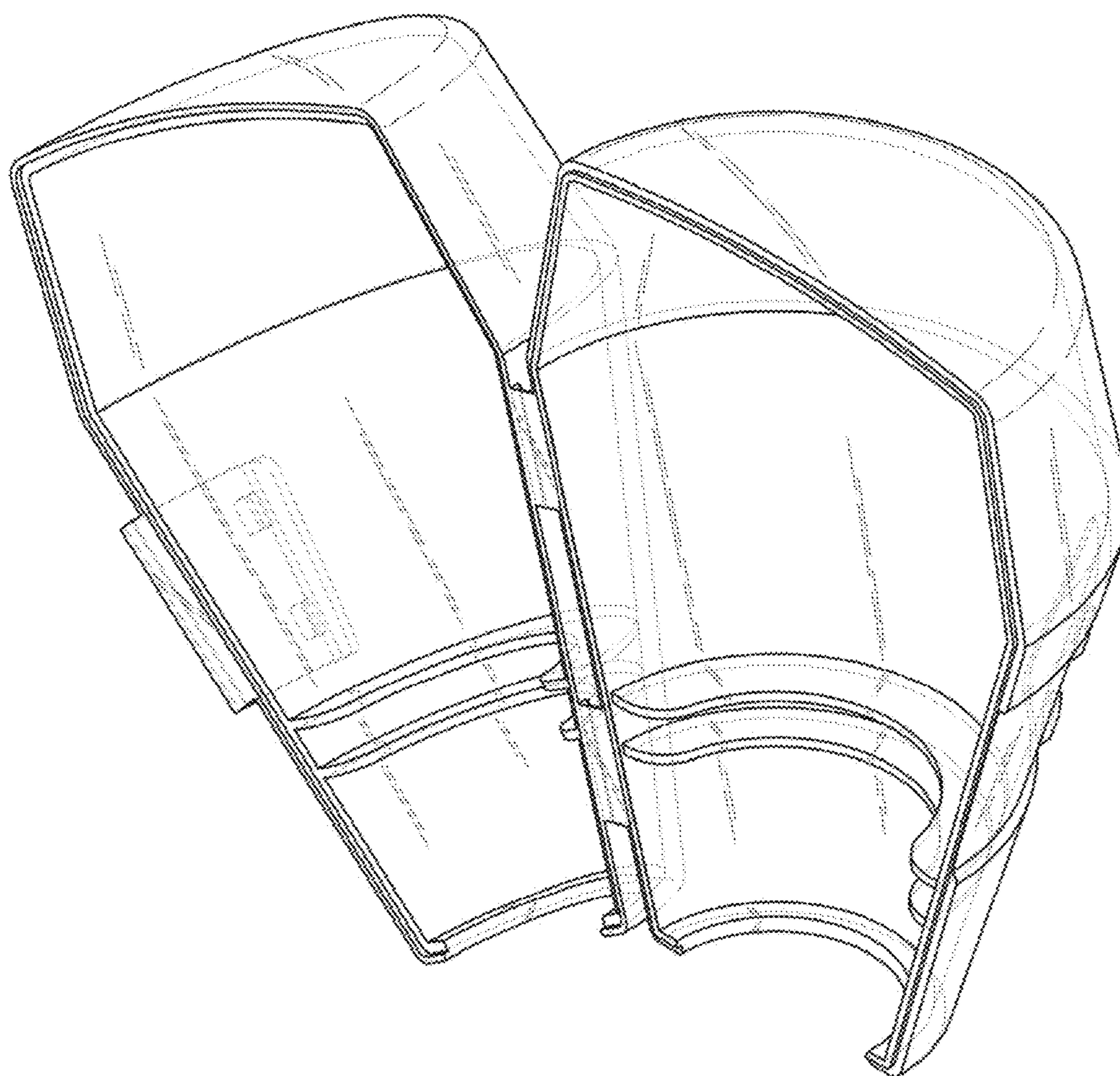


FIG. 9

