



US00D928408S

(12) **United States Design Patent**
Meng

(10) **Patent No.:** **US D928,408 S**

(45) **Date of Patent:** **** Aug. 17, 2021**

(54) **ADJUSTABLE SHOWER BRUSH**

FOREIGN PATENT DOCUMENTS

(71) Applicant: **Shen Zhen Qing Ying Development Co., Ltd.**, Shenzhen (CN)

CN 305271678 * 7/2019
CN 305642483 * 3/2020

(72) Inventor: **Peiqin Meng**, Shenzhen (CN)

Primary Examiner — Karen E Eldridge Powers

(73) Assignee: **Shen Zhen Qing Ying Development Co., Ltd.**, ShenZhen (CN)

(74) *Attorney, Agent, or Firm* — Zhihua Han; Wen IP LLC

(**) Term: **15 Years**

(57) **CLAIM**

(21) Appl. No.: **29/748,518**

The ornamental design for an adjustable shower brush, as shown and described.

(22) Filed: **Aug. 30, 2020**

(51) **LOC (13) Cl.** **28-03**

(52) **U.S. Cl.**
USPC **D28/63; D4/134**

(58) **Field of Classification Search**

USPC D4/100, 102, 114, 115, 116, 117, 118, D4/119, 120, 121, 122, 123, 124, 125, D4/126, 127, 128, 129, 130, 131, 132, D4/133, 134, 135, 136, 137, 138, 199; D24/200, 214, 215; D28/7, 20, 28, 29, D28/58, 63, 99; D30/158, 159, 160
CPC A47K 7/00; A47K 7/702; A47K 7/028; A46B 2200/1006; A46B 2200/102; A46B 5/002; A61H 7/03

See application file for complete search history.

DESCRIPTION

FIG. 1 is a front, left side and bottom perspective view of an adjustable shower brush, showing my new design; FIG. 2 is a rear, right side and top perspective view thereof; FIG. 3 is a top plan view thereof; FIG. 4 is a bottom plan view thereof; FIG. 5 is a front elevation view thereof; FIG. 6 is a rear elevation view thereof; FIG. 7 is a right side elevation view thereof; FIG. 8 is a left side elevation view thereof; FIG. 9 is a front, left side and bottom perspective view of the adjustable shower brush shown in FIGS. 1-8, but where the adjustable shower brush is shown in a folded configuration; FIG. 10 is rear, right side and top perspective view thereof; FIG. 11 is a top plan view thereof; FIG. 12 is a bottom plan view thereof; FIG. 13 is a front elevation view thereof; FIG. 14 is a rear elevation view thereof; FIG. 15 is a right side elevation view thereof; and, FIG. 16 is a left side elevation view thereof. The broken lines in the figures illustrate portions of the adjustable shower brush that form no part of the claimed design.

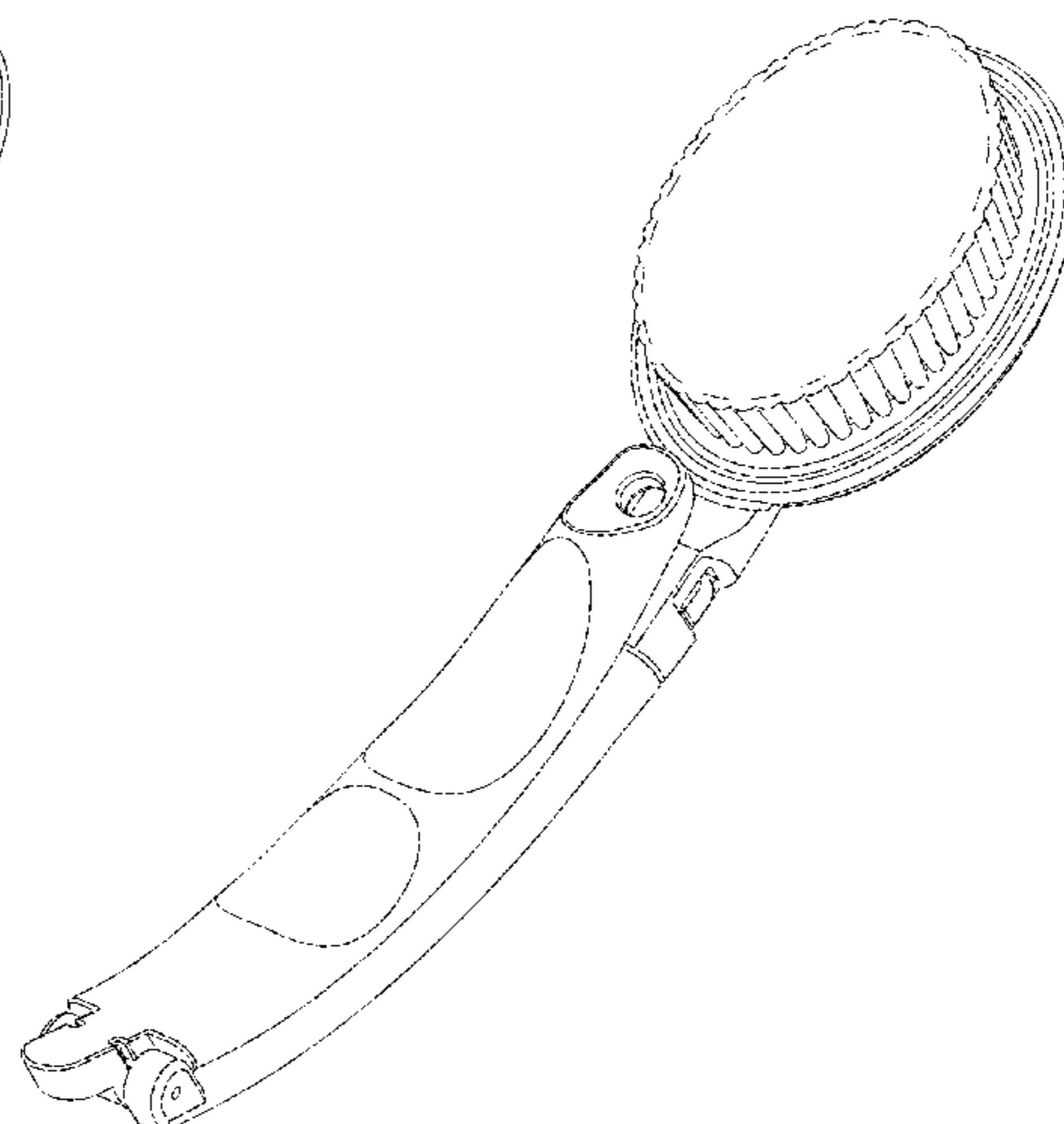
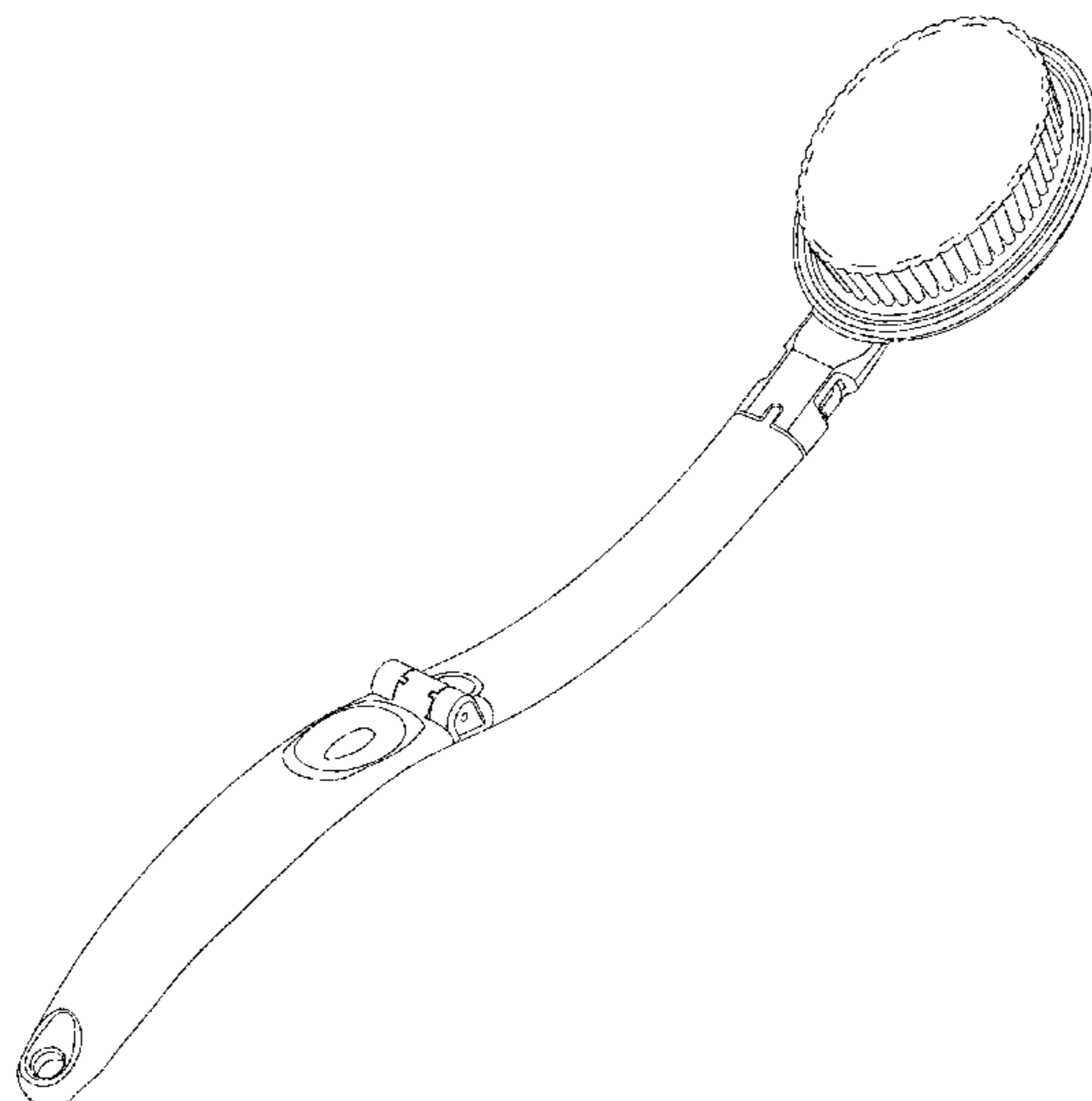
(56) **References Cited**

U.S. PATENT DOCUMENTS

D180,848 S * 8/1957 Scholl D4/134
D471,364 S 3/2003 Kwong
D518,597 S * 4/2006 Sommers D24/119
D558,456 S * 1/2008 Bingaman D4/121
D572,407 S * 7/2008 Cook D28/7
D580,659 S * 11/2008 Zemel D4/132
8,141,565 B2 * 3/2012 Slavin A45D 34/041
132/320
D749,326 S 2/2016 Renette
D816,343 S * 5/2018 Tai D4/100

(Continued)

1 Claim, 16 Drawing Sheets



(56)

References Cited

U.S. PATENT DOCUMENTS

D909,067 S * 2/2021 Robbins D4/121
2005/0268416 A1 * 12/2005 Sommers A47K 7/028
15/209.1

* cited by examiner

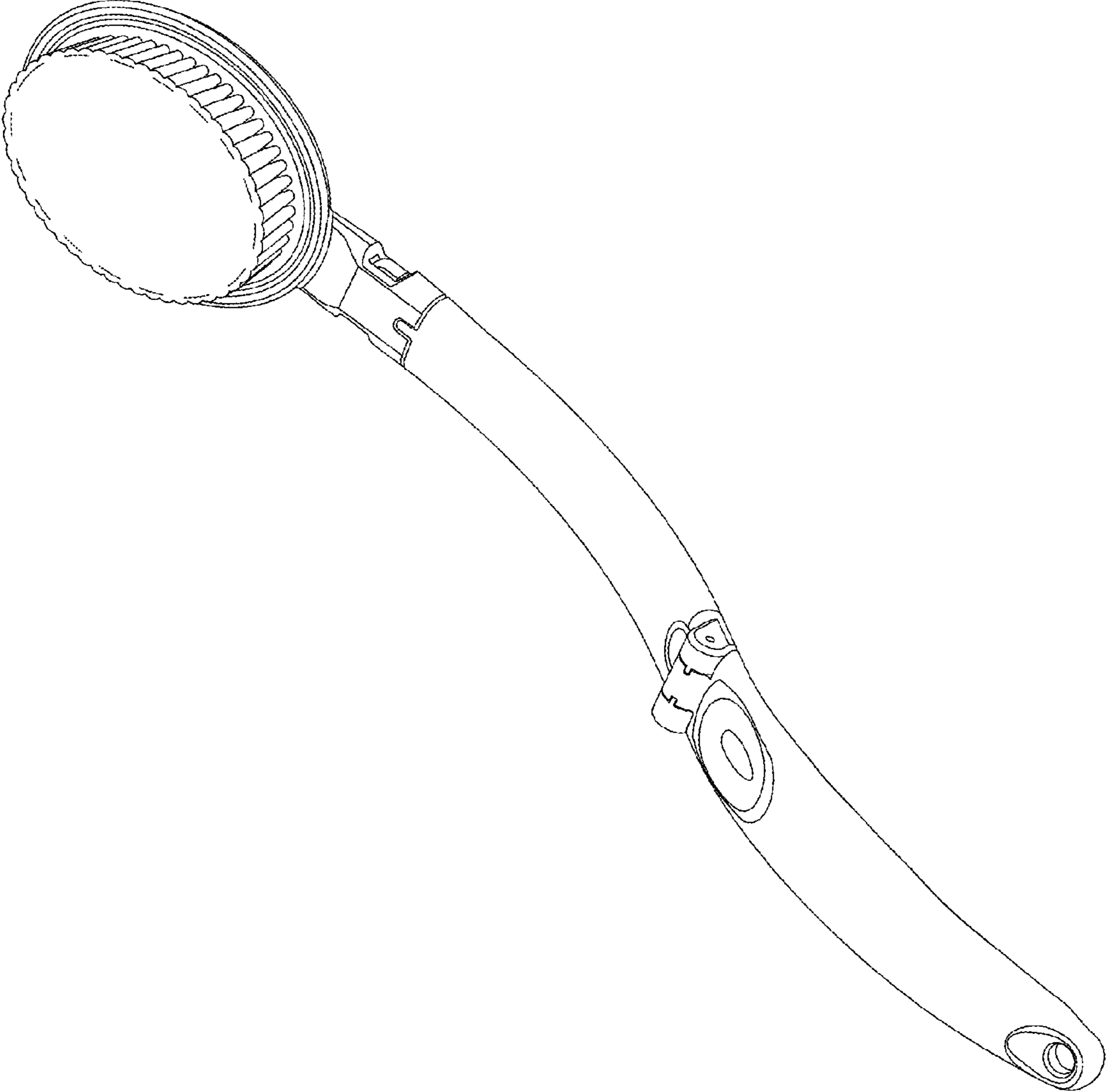


FIG. 1

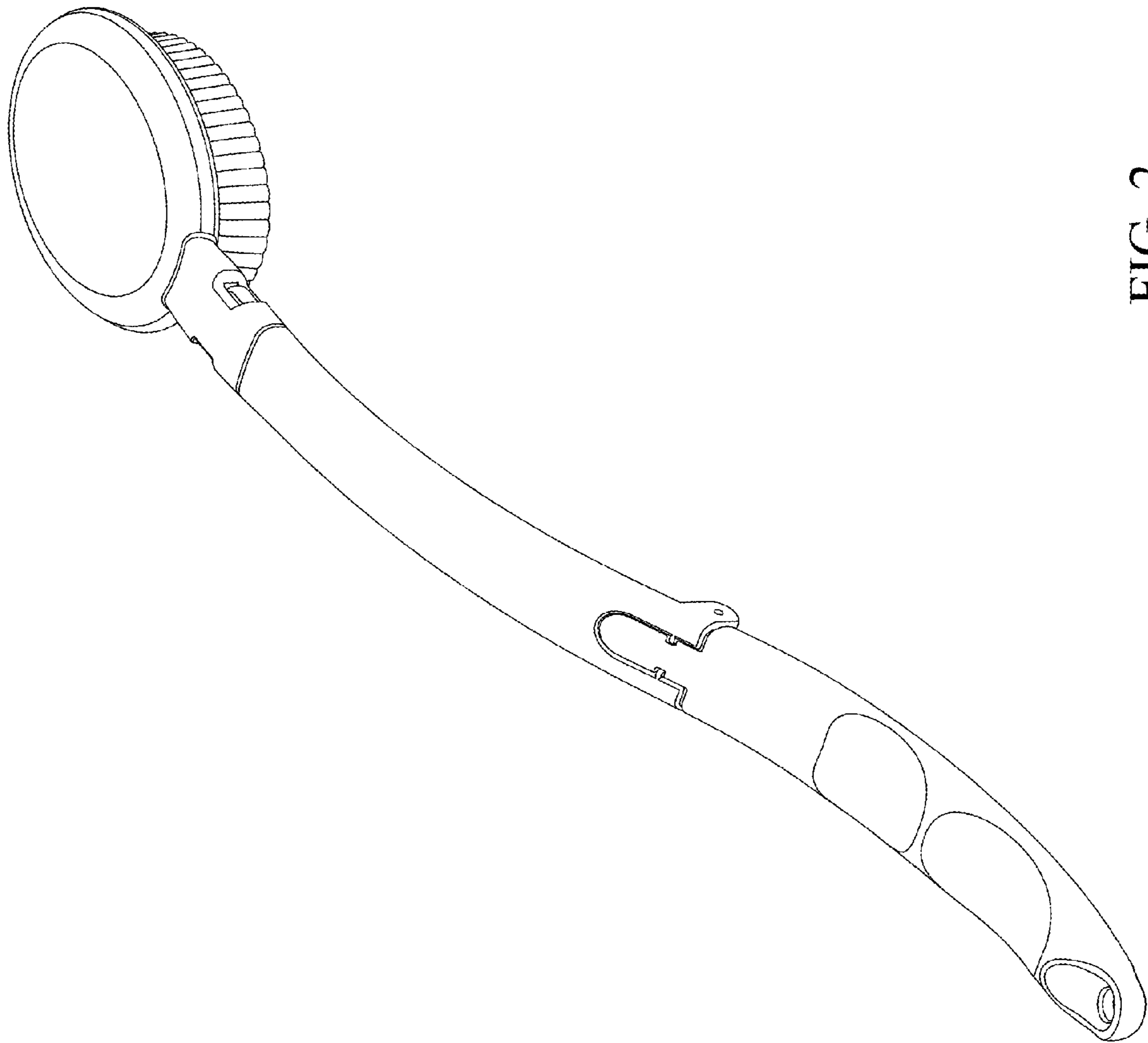


FIG. 2

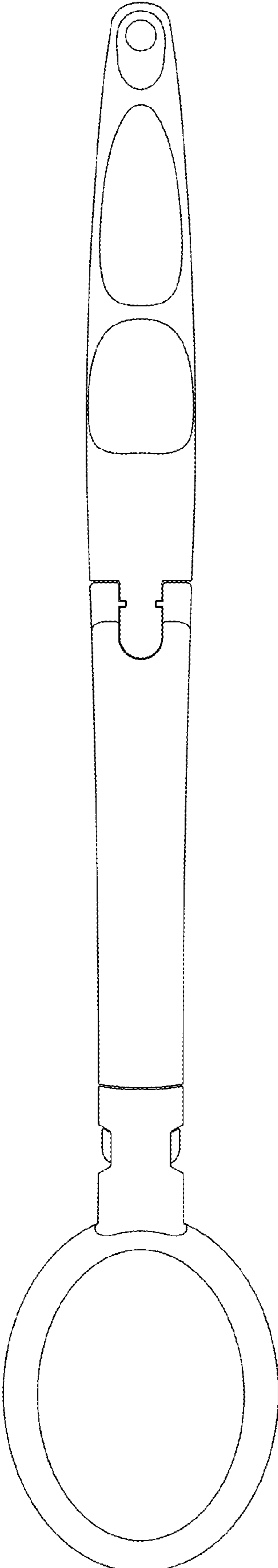


FIG. 3

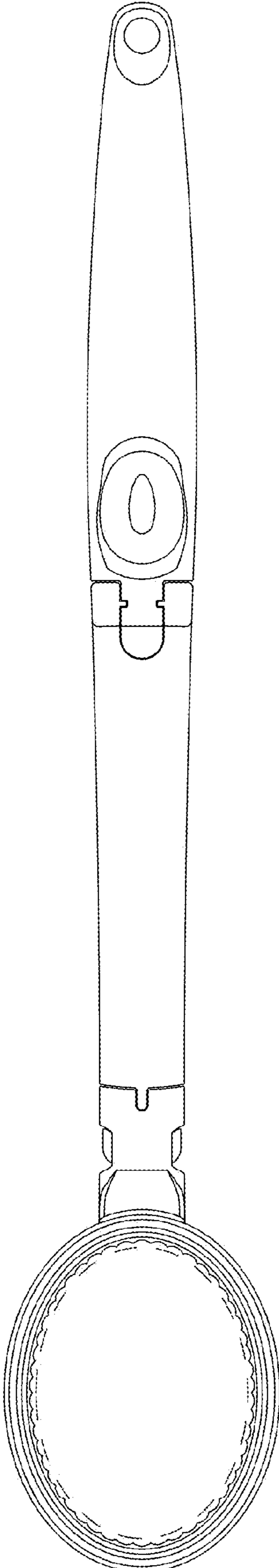


FIG. 4

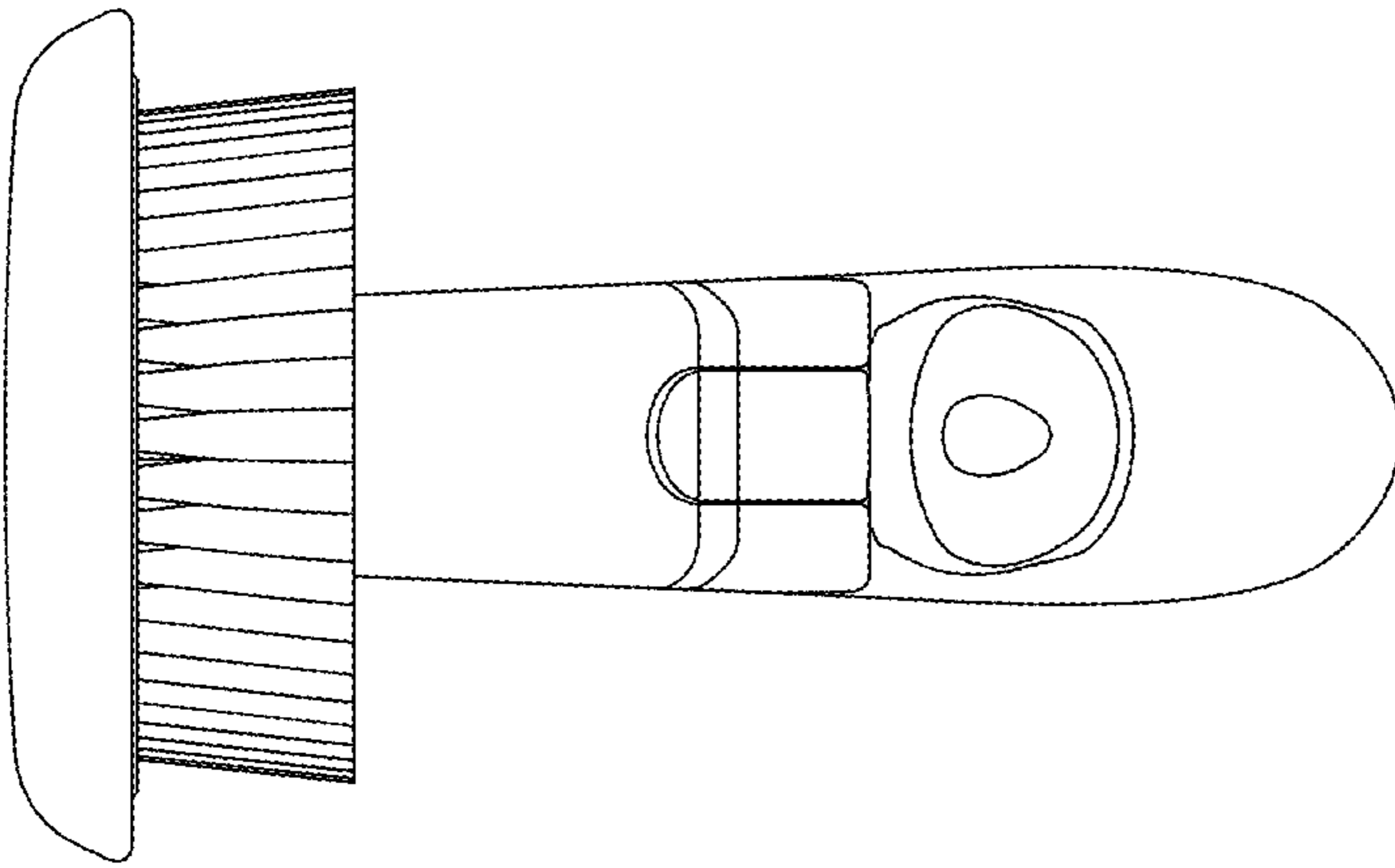


FIG. 5

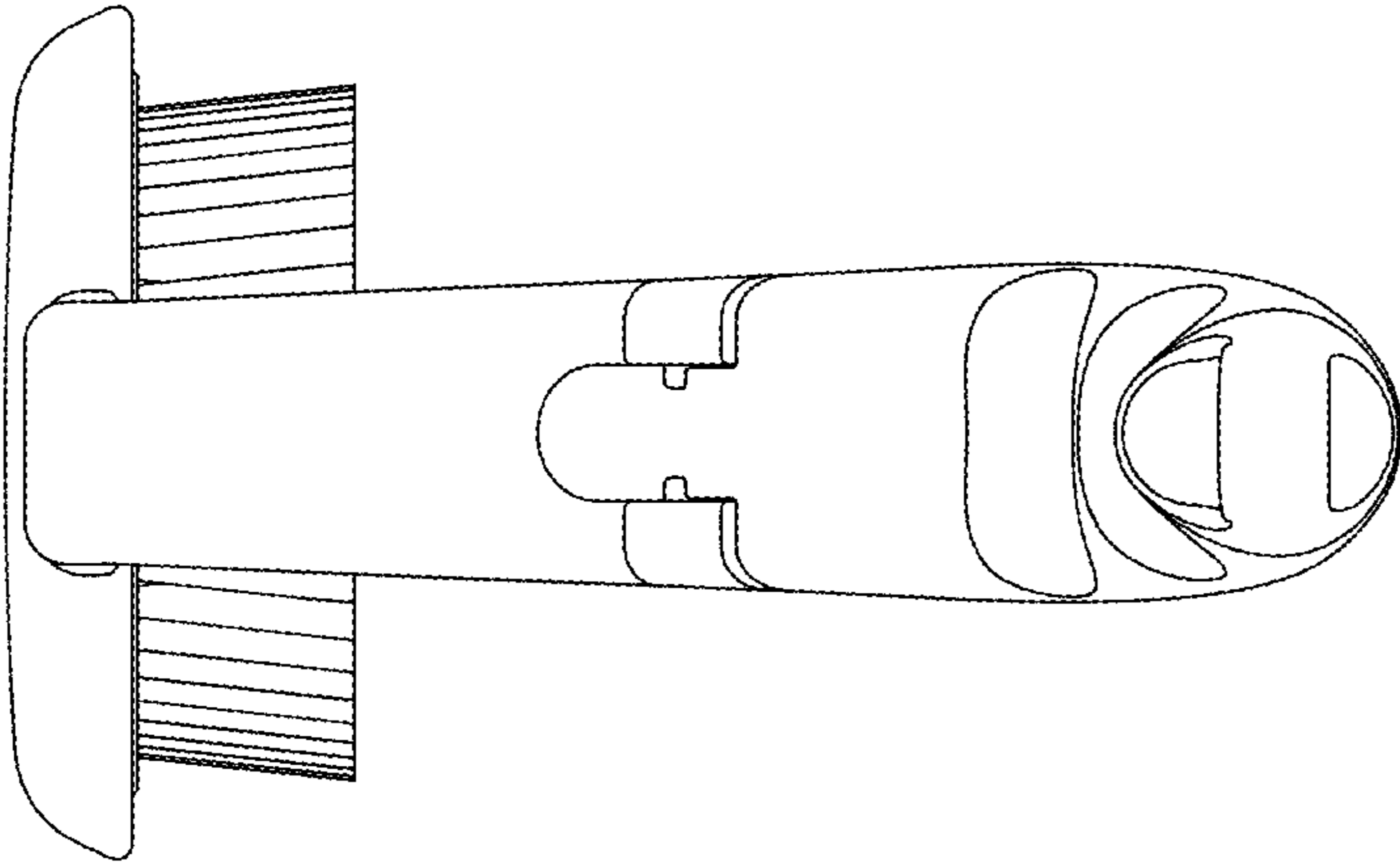


FIG. 6

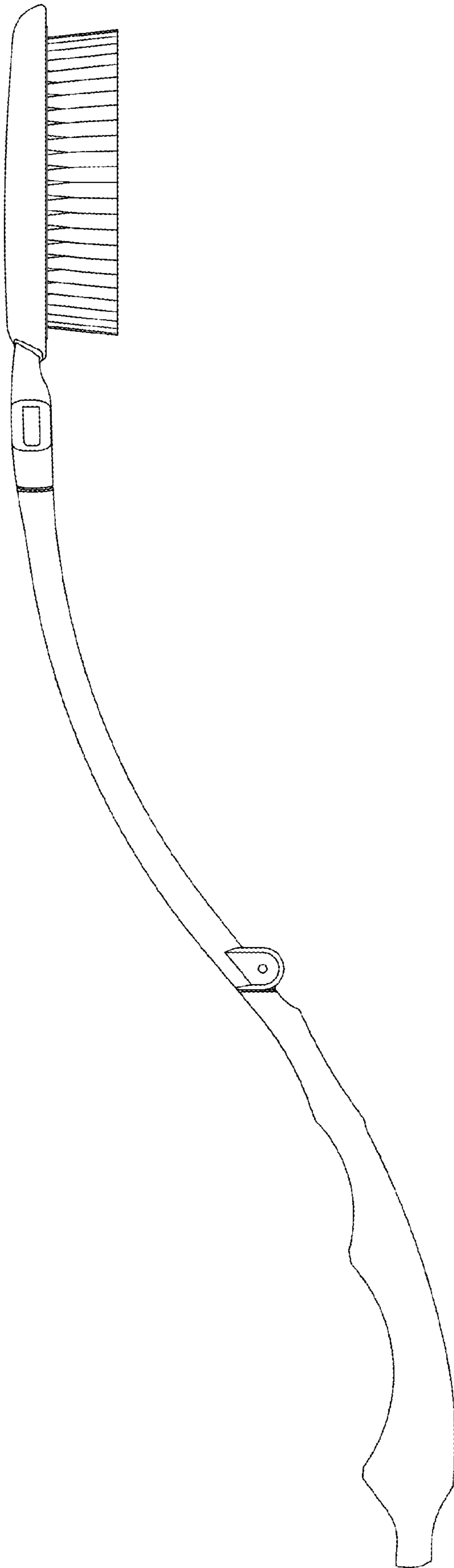


FIG. 7

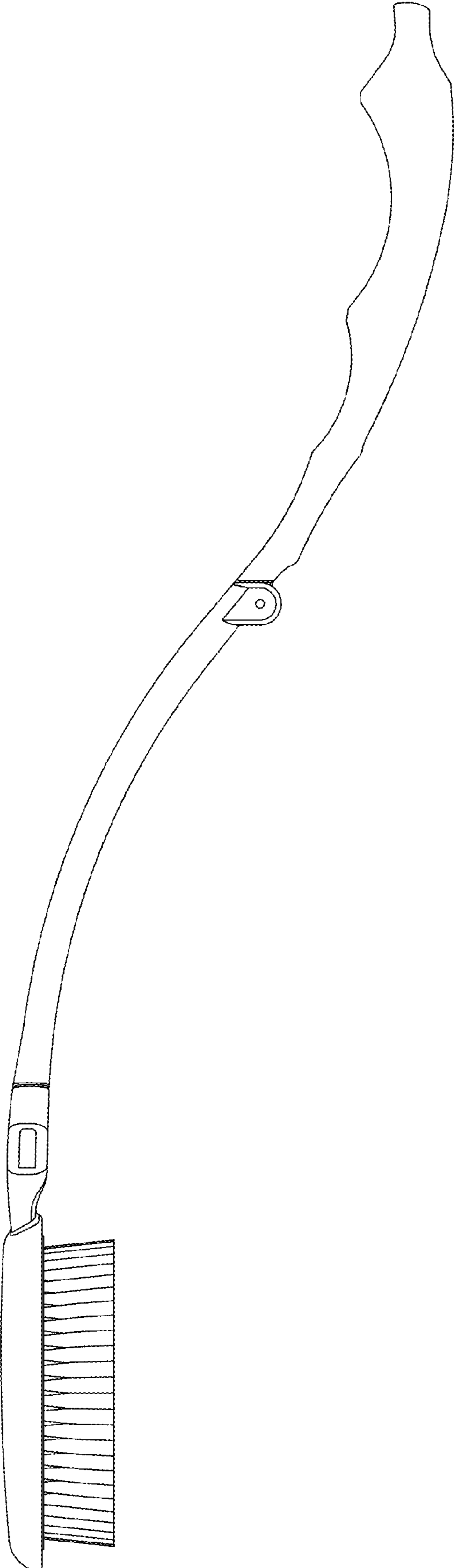


FIG. 8

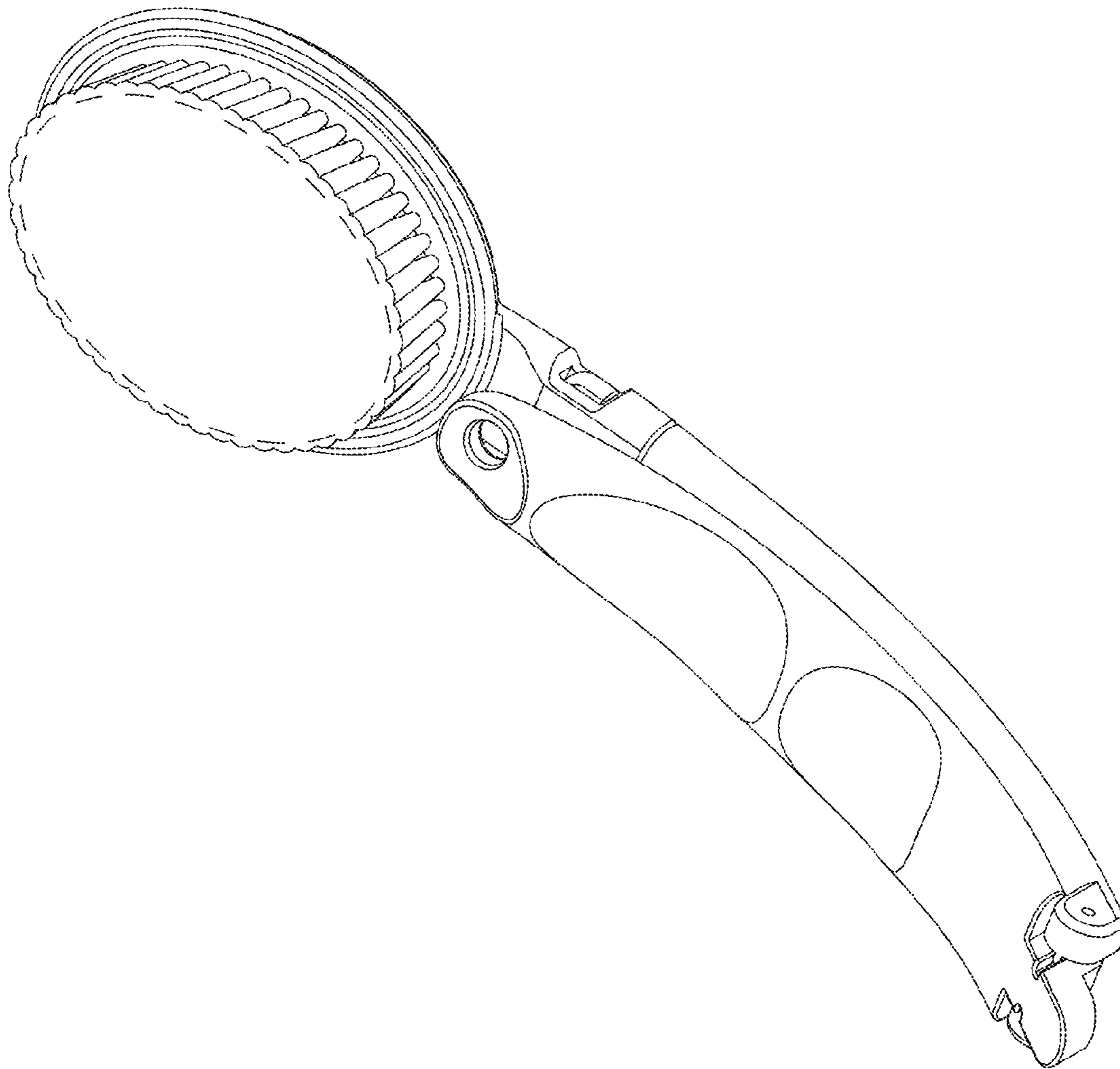


FIG. 9

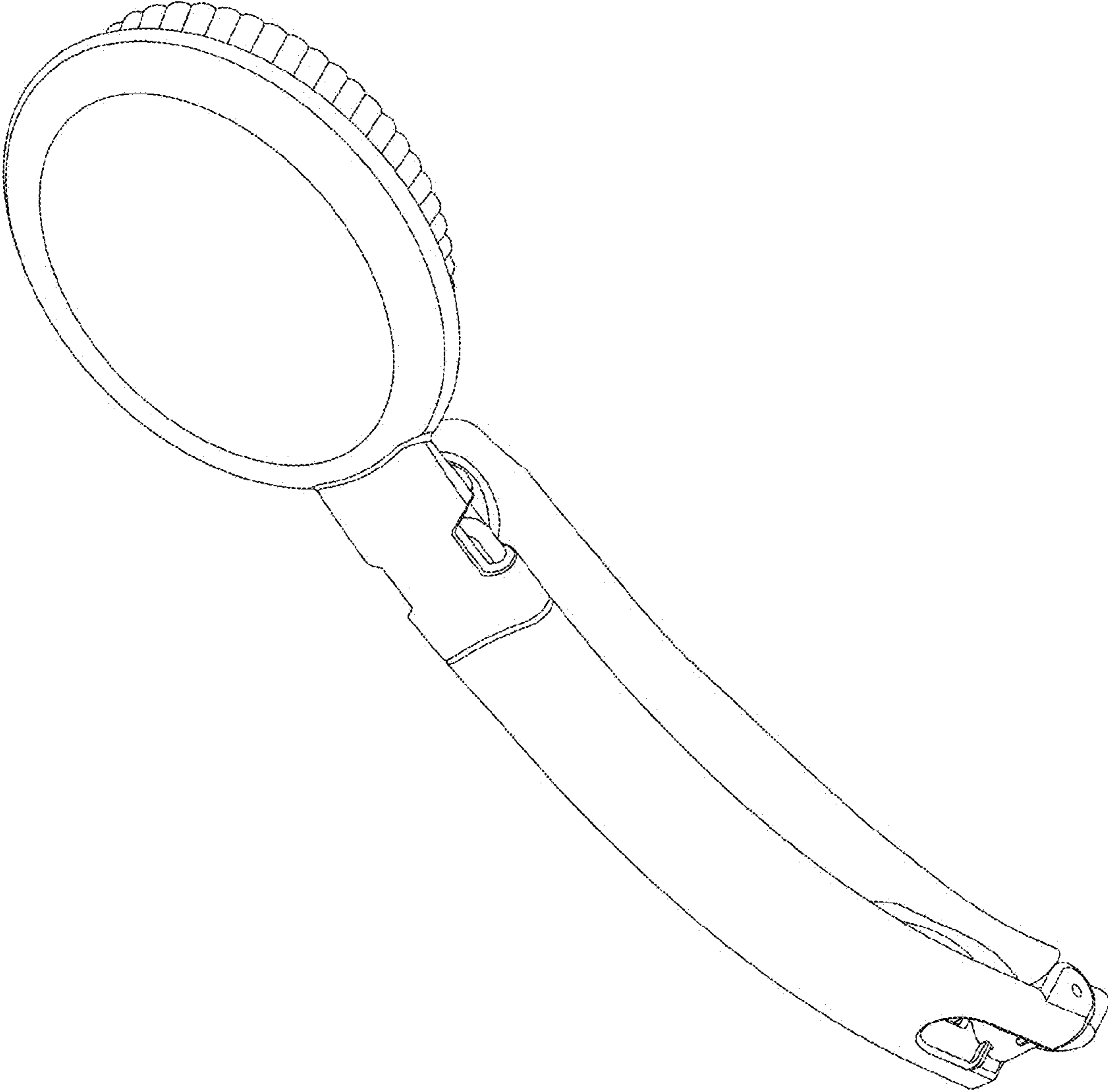


FIG. 10

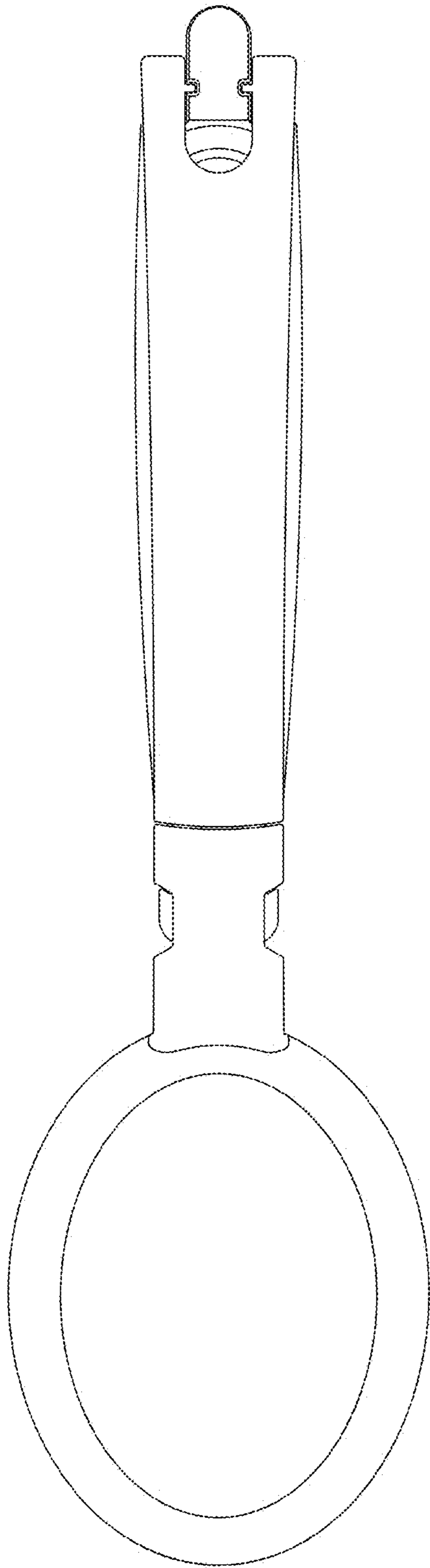


FIG. 11

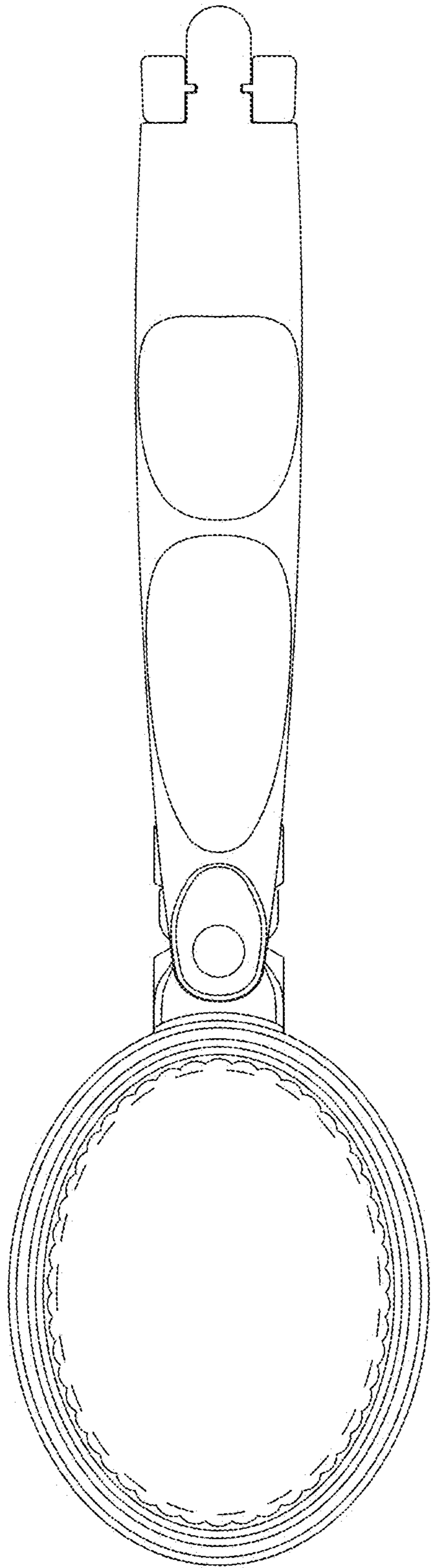


FIG. 12

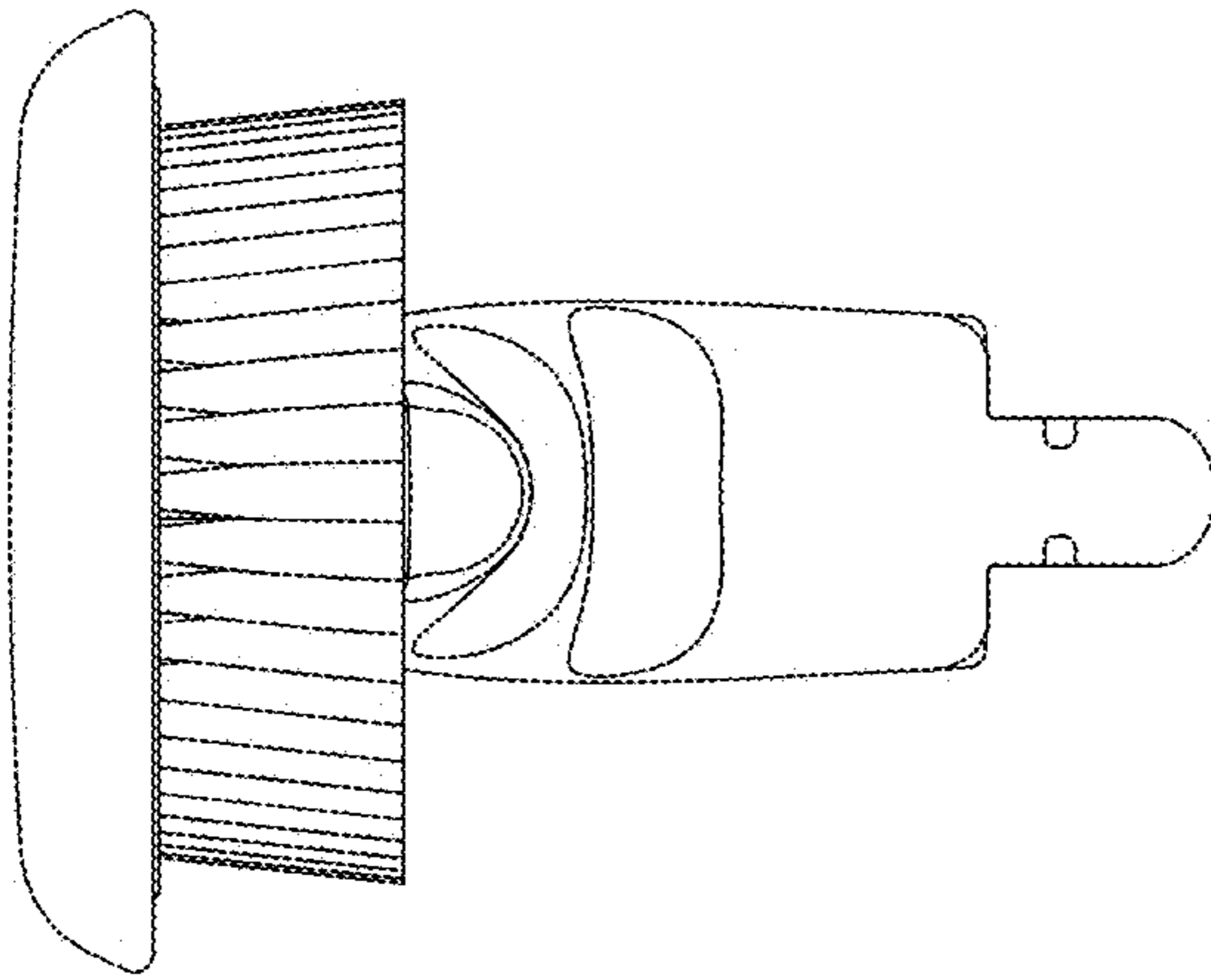


FIG. 13

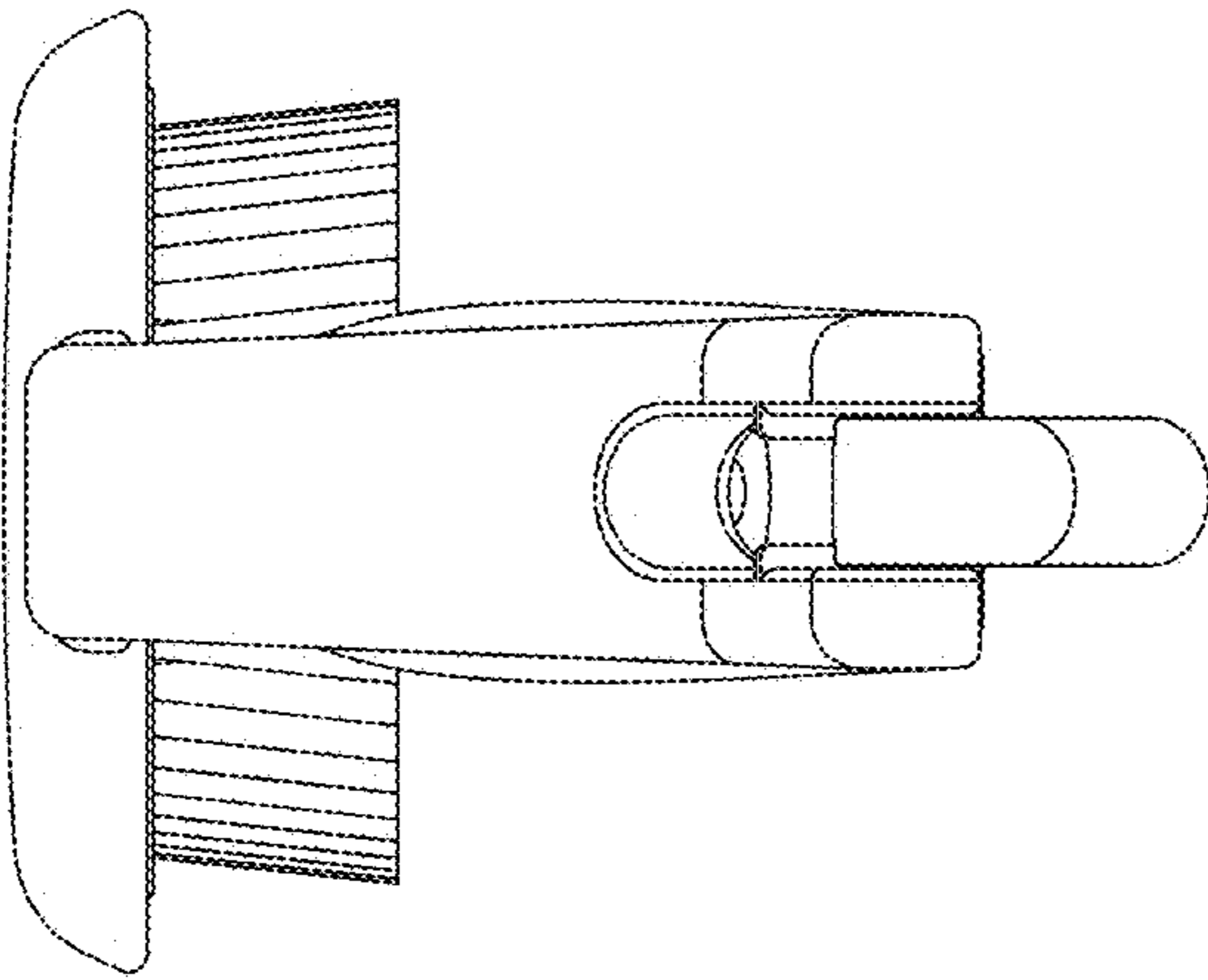


FIG. 14

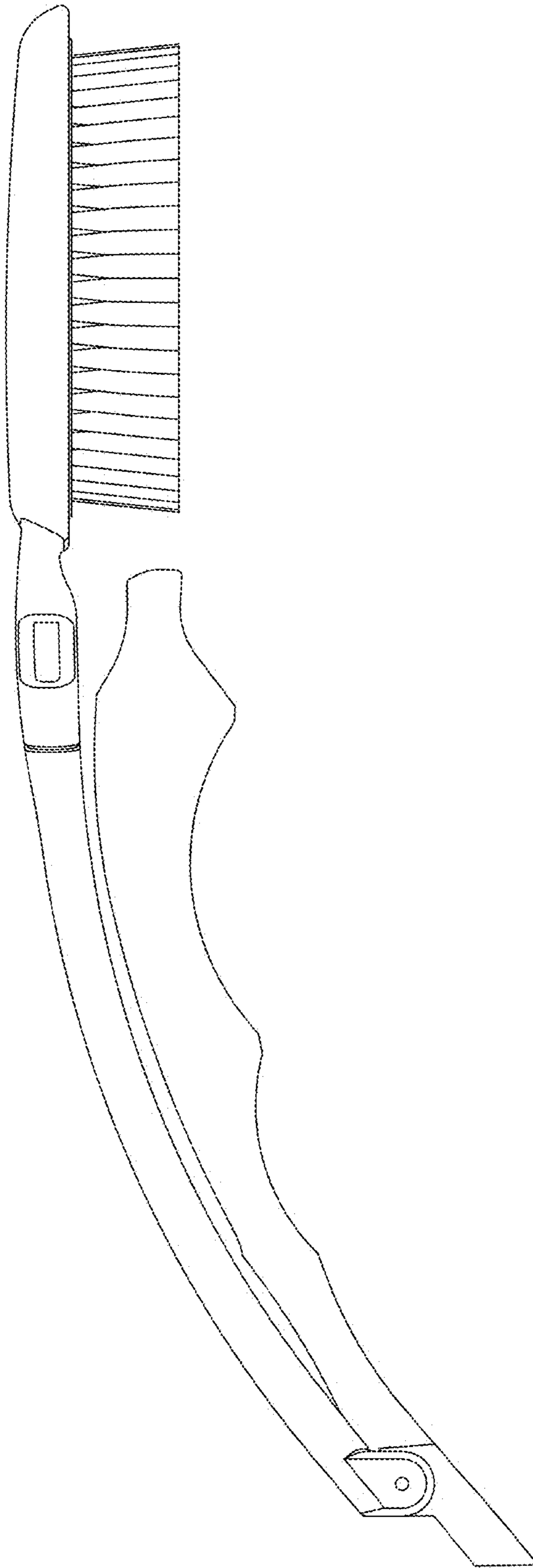


FIG. 15

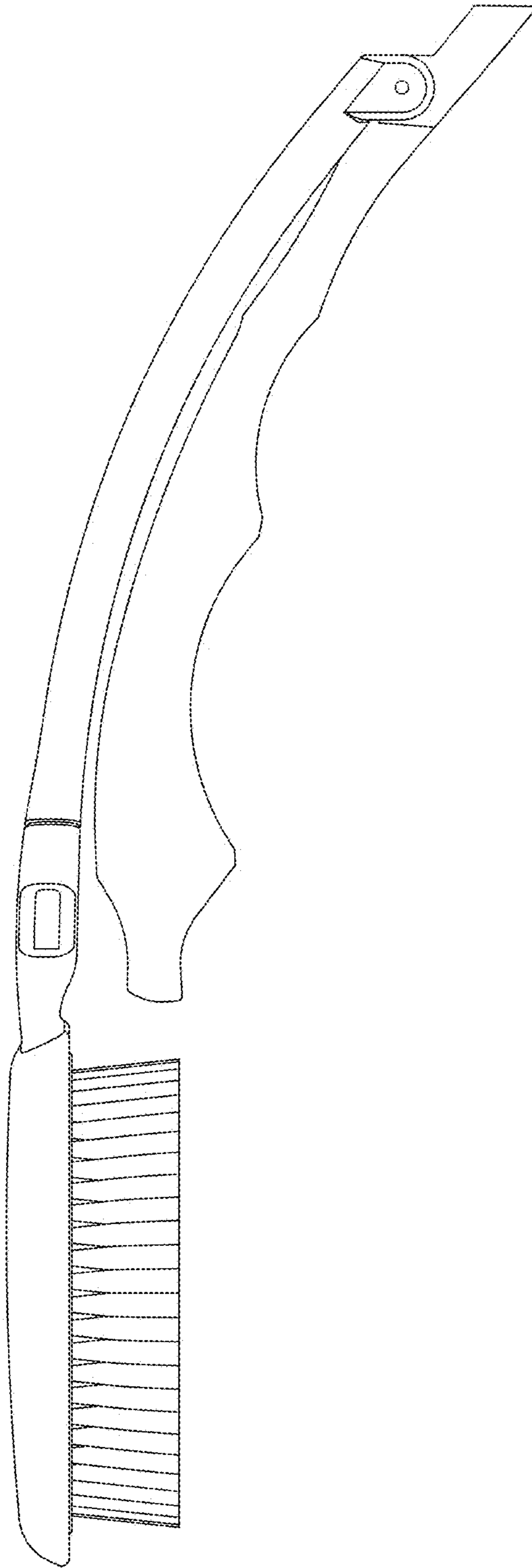


FIG. 16