



US00D928405S

(12) **United States Design Patent**  
**Huang**

(10) **Patent No.:** **US D928,405 S**

(45) **Date of Patent:** **\*\* Aug. 17, 2021**

(54) **HAIR CLIPPER**

(71) Applicant: **Guangdong Huanengda Electrical appliances Co., LTD., Jieyang (CN)**

(72) Inventor: **Huaqun Huang, Jieyang (CN)**

(73) Assignee: **GUANGDONG HUANENGDA ELECTRICAL APPLIANCES CO., LTD., Jieyang (CN)**

(\*\*) Term: **15 Years**

(21) Appl. No.: **29/704,061**

(22) Filed: **Aug. 30, 2019**

(30) **Foreign Application Priority Data**

Apr. 10, 2019 (CN) ..... 201930160034.0

(51) **LOC (13) Cl.** ..... **28-03**

(52) **U.S. Cl.**  
USPC ..... **D28/53**

(58) **Field of Classification Search**

USPC ..... D28/49-54  
CPC ..... B26B 19/00-08; B26B 19/10-12; B26B 19/20-24; B26B 19/26-265; B26B 19/38-3826; B26B 19/3873-3893; B26B 19/42

See application file for complete search history.

(56) **References Cited**

**U.S. PATENT DOCUMENTS**

D628,745 S \* 12/2010 Dingelstad ..... D28/53  
D637,760 S \* 5/2011 Tasar ..... D28/53

D651,747 S \* 1/2012 Nitsch ..... D28/53  
D696,459 S \* 12/2013 Chan ..... D28/53  
D872,366 S \* 1/2020 Cociffi ..... D28/53  
D893,804 S \* 8/2020 Zhang ..... D28/53  
D897,602 S \* 9/2020 Zhang ..... D28/53  
2001/0004896 A1 \* 6/2001 Chaouachi ..... B26B 19/20  
132/213.1  
2008/0289192 A1 \* 11/2008 Martelli ..... B26B 19/3813  
30/233.5  
2017/0305020 A1 \* 10/2017 Darwinkel ..... B26B 19/3886  
2017/0341245 A1 \* 11/2017 Nayna ..... B26B 19/063  
2018/0345510 A1 \* 12/2018 Julemont ..... B26B 19/44

\* cited by examiner

*Primary Examiner* — Jennifer Rivard

(74) *Attorney, Agent, or Firm* — Dragon Sun Law Firm, PC; Jinggao Li, Esq.

(57) **CLAIM**

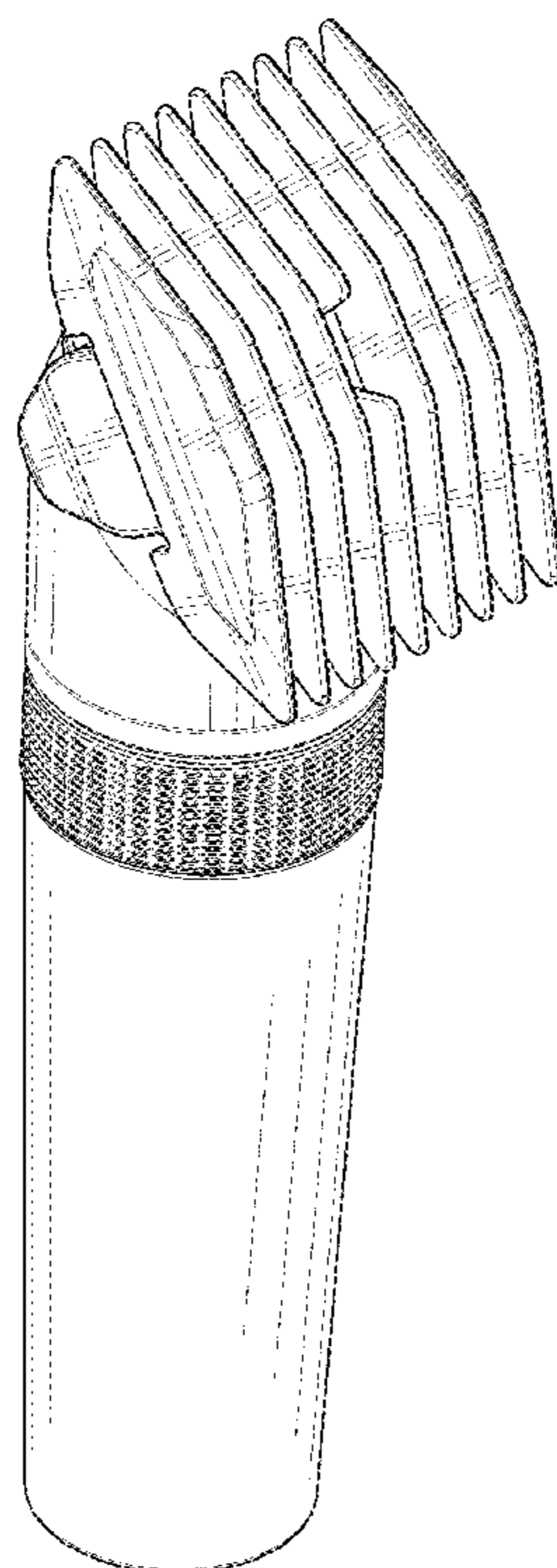
The ornamental design for a hair clipper, as shown and described.

**DESCRIPTION**

FIG. 1 is a perspective view of a hair clipper showing my new design;  
FIG. 2 is a left view thereof;  
FIG. 3 is a right view thereof;  
FIG. 4 is a bottom plan view thereof;  
FIG. 5 is a top plan view thereof;  
FIG. 6 is a back view thereof; and,  
FIG. 7 is a front view thereof.

The broken lines shown in the figures depict portions of the hair clipper that form no part of the claimed design.

**1 Claim, 7 Drawing Sheets**



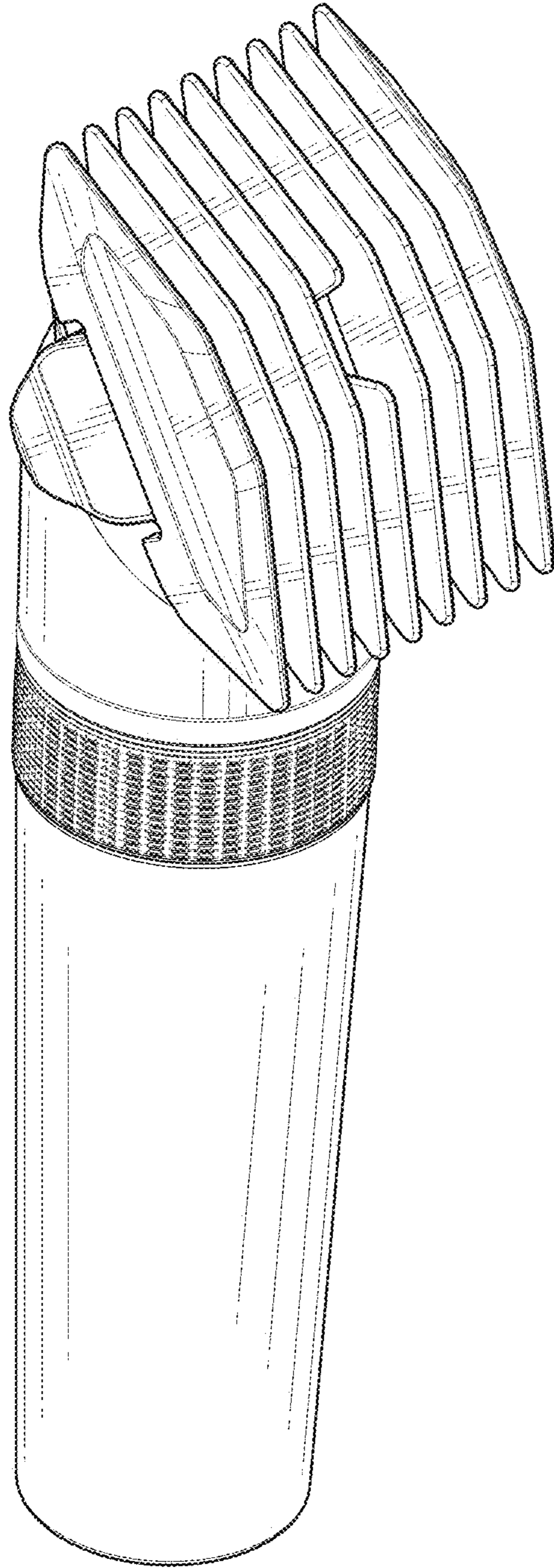


FIG. 1

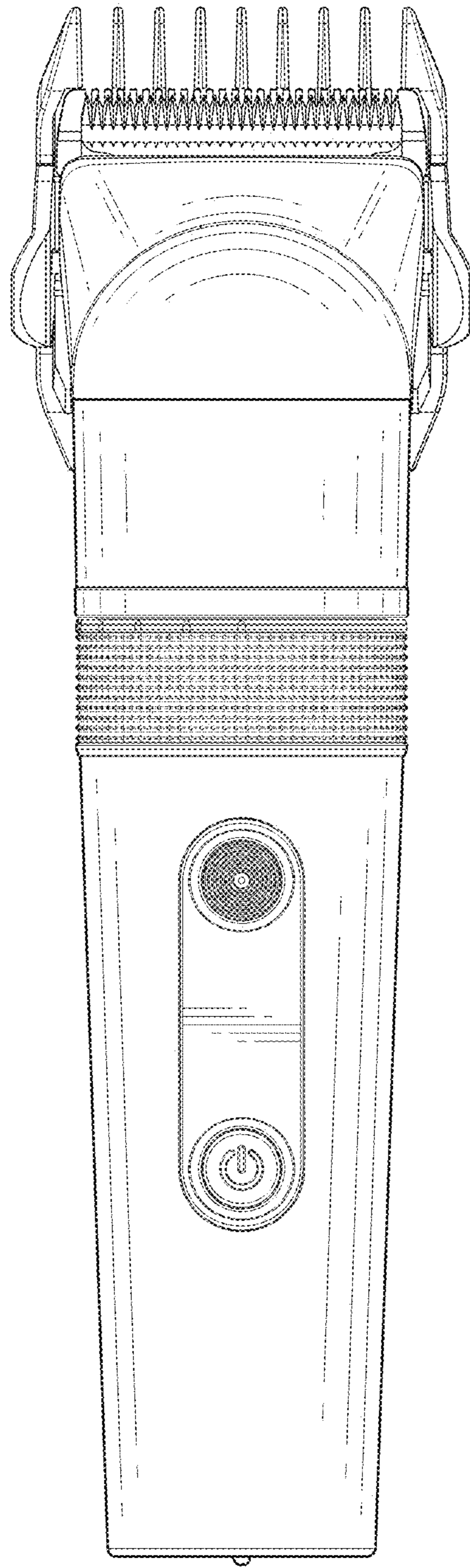


FIG. 2



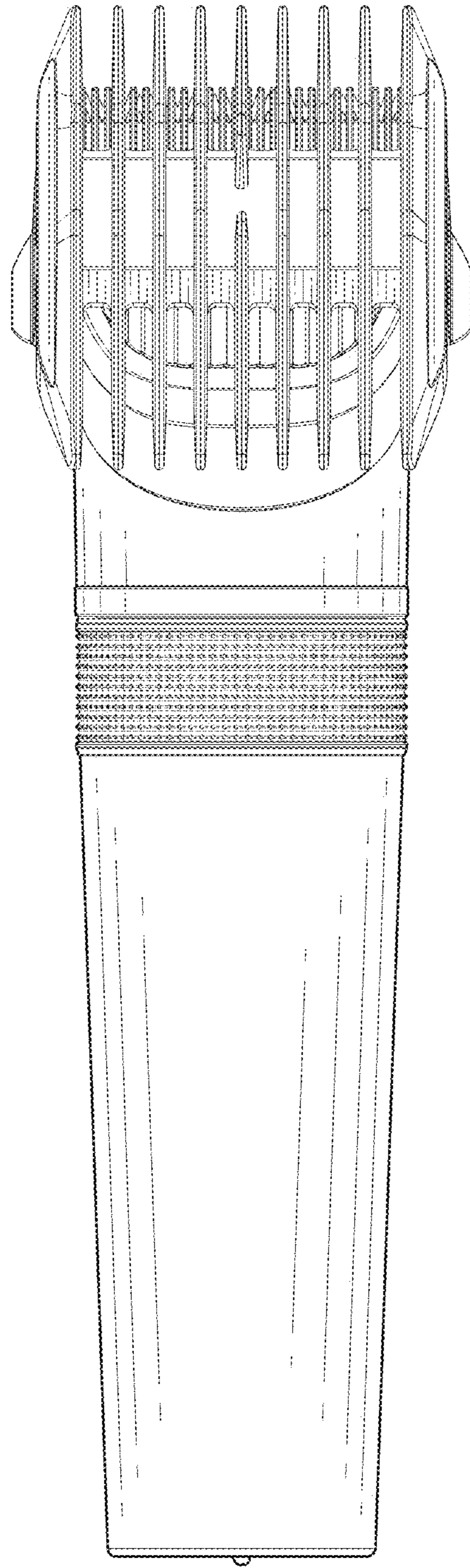


FIG. 3

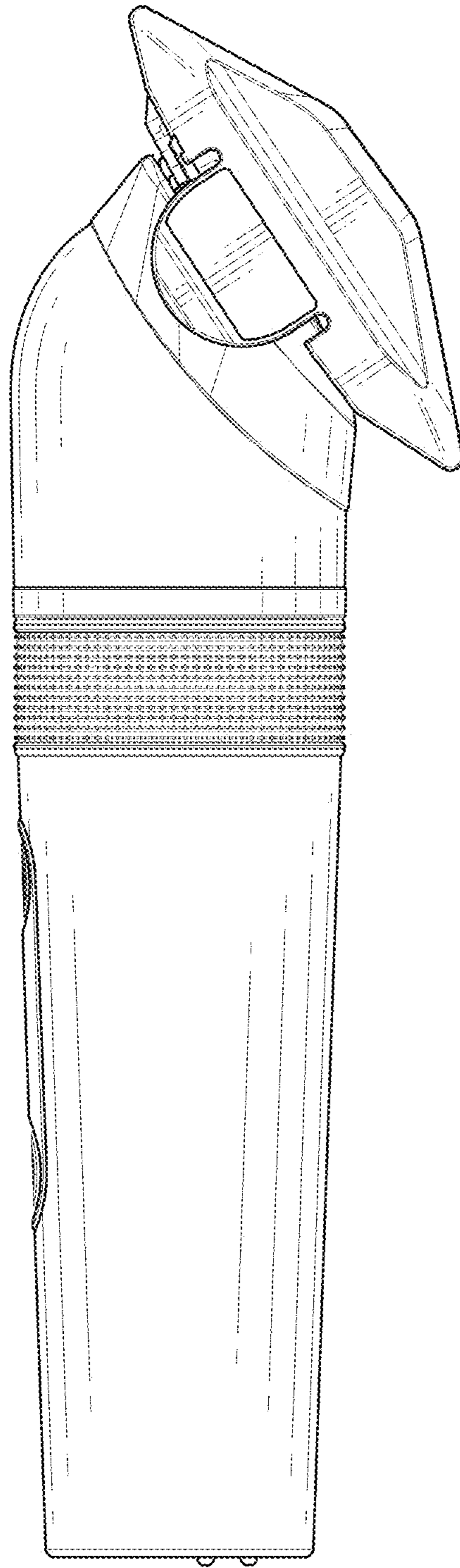


FIG. 4

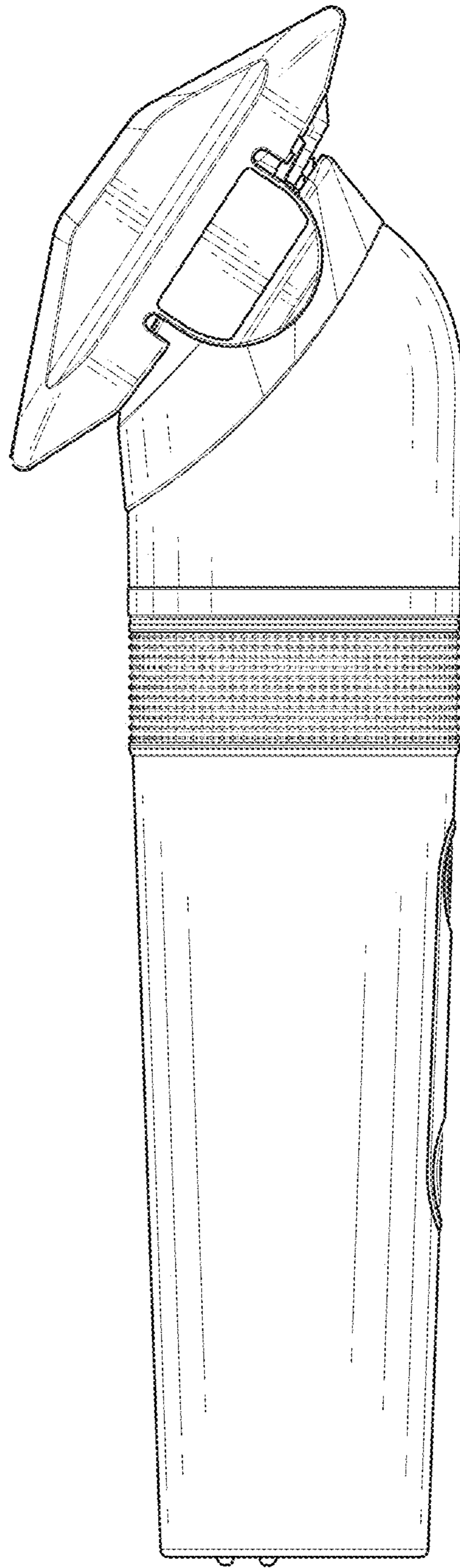


FIG. 5

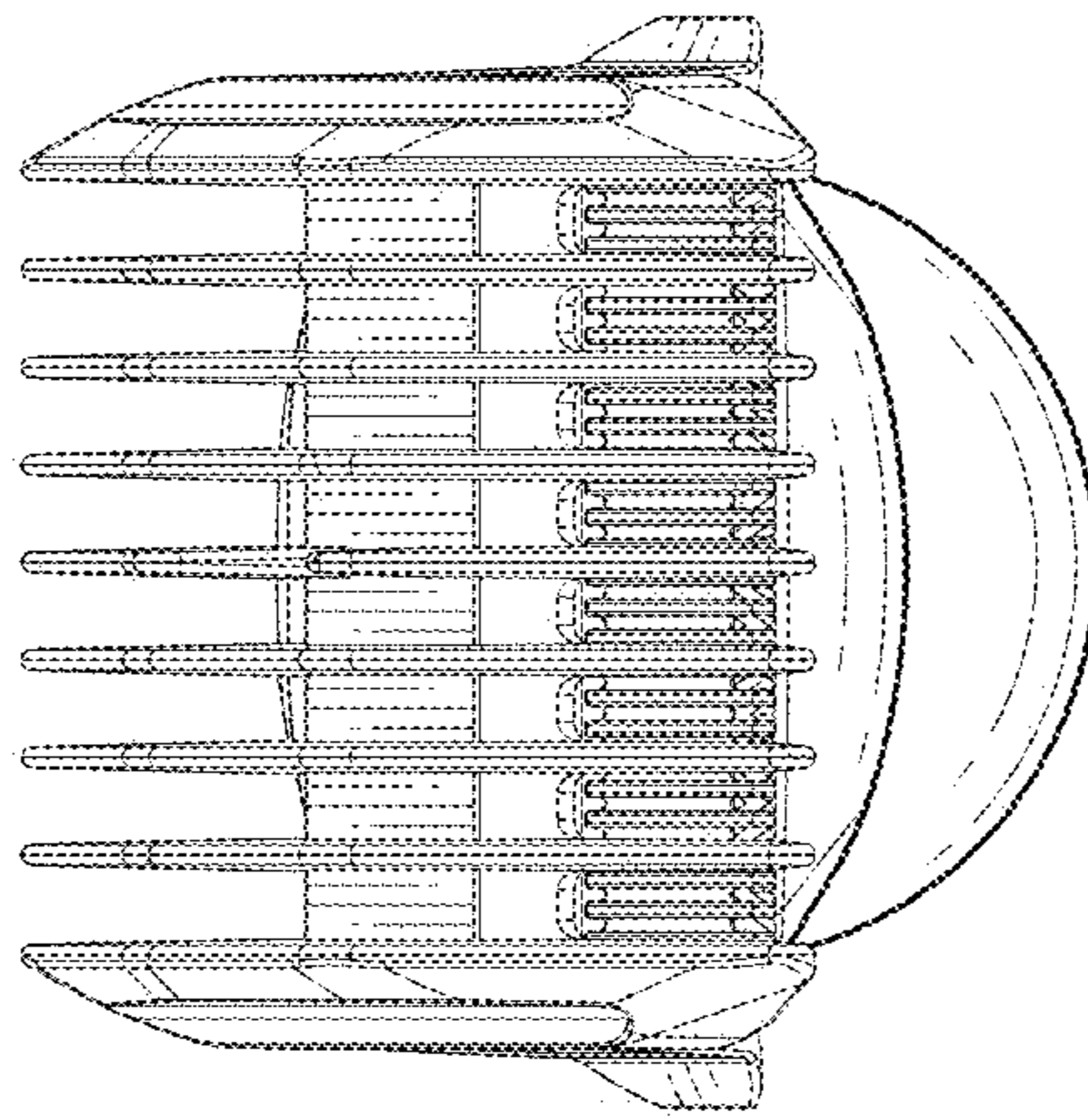


FIG. 6

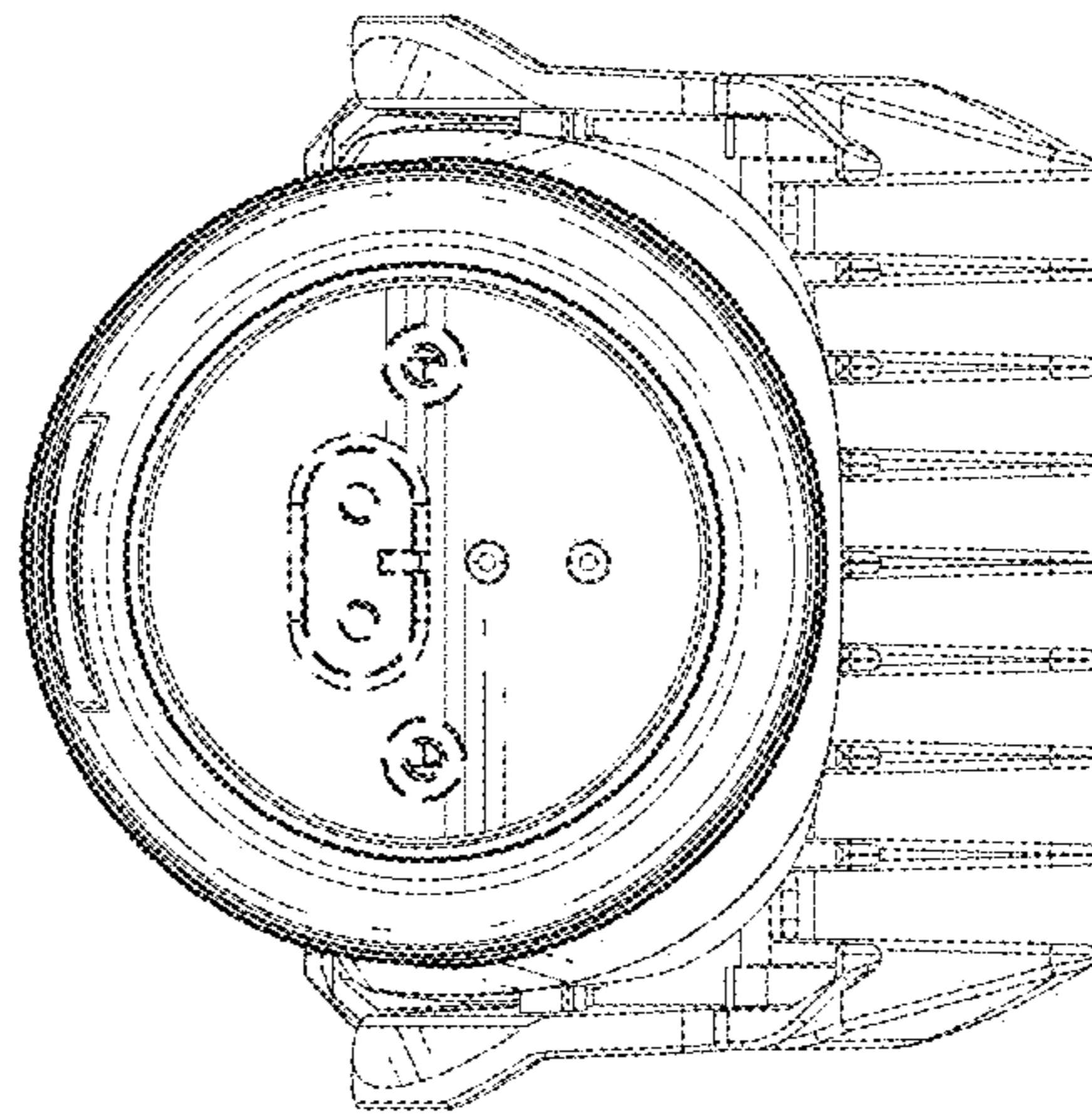


FIG. 7