

US00D928403S

(12) **United States Design Patent** (10) **Patent No.:** **US D928,403 S**  
**Aboabdo** (45) **Date of Patent:** **\*\* Aug. 17, 2021**

(54) **CIGARETTE CASE**  
(71) Applicant: **Chubby Gorilla, Inc.**, Santa Fe Springs, CA (US)  
(72) Inventor: **Ibrahiem H. Aboabdo**, Yorba Linda, CA (US)  
(73) Assignee: **Chubby Gorilla, Inc.**, Fullerton, CA (US)  
(\*\*) Term: **15 Years**  
(21) Appl. No.: **29/691,367**  
(22) Filed: **May 15, 2019**  
(51) **LOC (13) Cl.** ..... **27-06**  
(52) **U.S. Cl.**  
USPC ..... **D27/183**  
(58) **Field of Classification Search**  
USPC ..... D27/189, 172, 174, 183, 186, 187, 194  
CPC ..... A24F 15/20; A24F 15/02; A24F 15/00; A24F 15/005  
See application file for complete search history.

D802,838 S \* 11/2017 Clark ..... D27/189  
D824,094 S \* 7/2018 Rein ..... D27/141  
D834,248 S \* 11/2018 Cordani ..... D27/172  
(Continued)

*Primary Examiner* — Marissa J Cash  
*Assistant Examiner* — Rebecca Tsehaye  
(74) *Attorney, Agent, or Firm* — Knobbe Martens Olson & Bear, LLP

(57) **CLAIM**

The ornamental design for a cigarette case, as shown and described herein.

**DESCRIPTION**

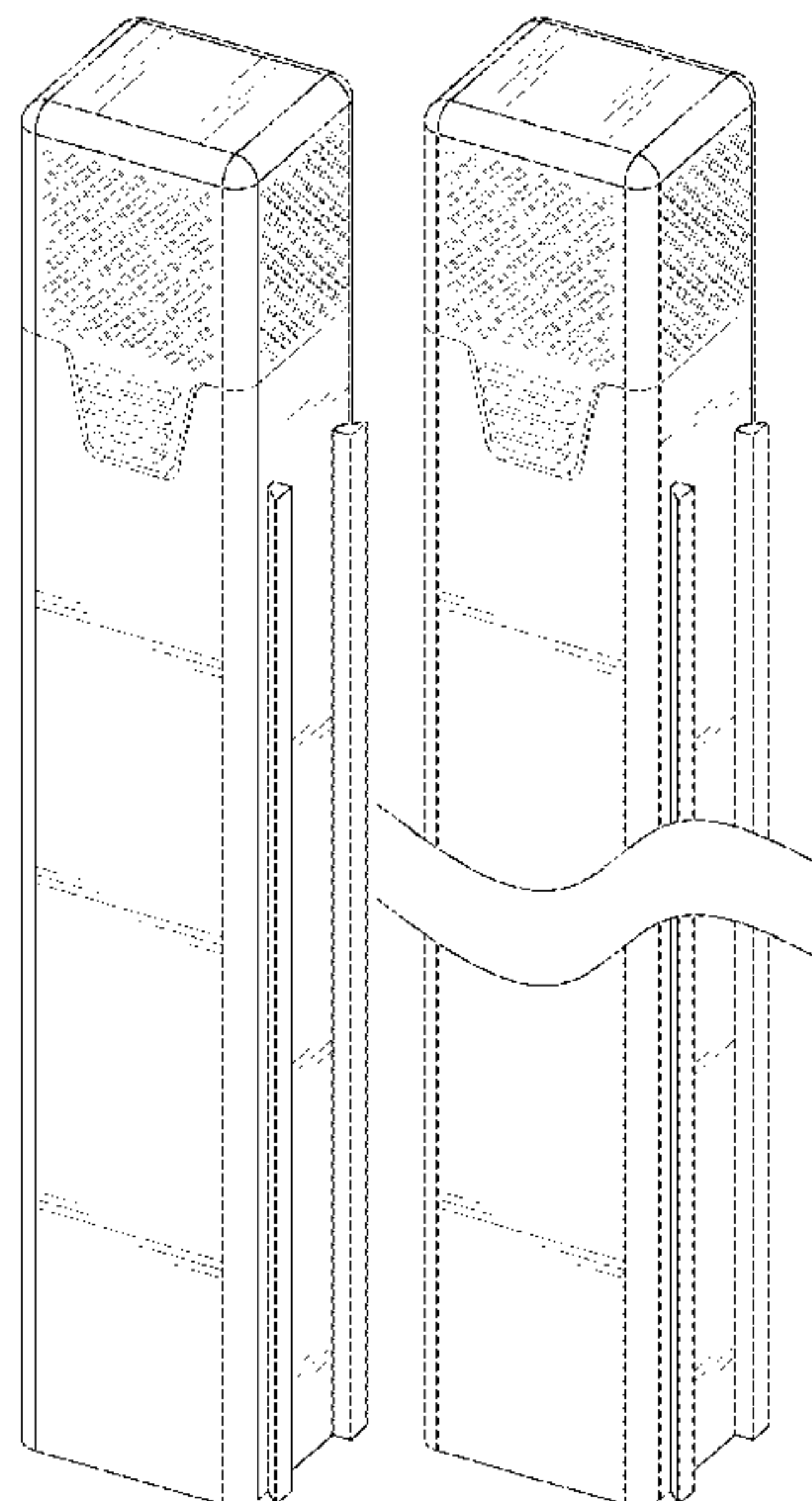
FIG. 1 is a front perspective view of a first embodiment of a cigarette case embodying the new design.  
FIG. 2 is a rear perspective view thereof.  
FIG. 3 is a front view thereof.  
FIG. 4 is a rear view thereof.  
FIG. 5 is a first side view thereof.  
FIG. 6 is a second side view thereof.  
FIG. 7 is a top view thereof.  
FIG. 8 is a bottom view thereof.  
FIG. 9 is a front perspective view of a second embodiment of a cigarette case embodying the new design.  
FIG. 10 is a rear perspective view thereof.  
FIG. 11 is a front view thereof.  
FIG. 12 is a rear view thereof.  
FIG. 13 is a first side view thereof.  
FIG. 14 is a second side view thereof.  
FIG. 15 is a top view thereof; and,  
FIG. 16 is a bottom view thereof.  
The second embodiment is shown with a symbolic break in its length, represented by break lines. The appearance of any portion of the article between the break lines forms no part of the claimed subject matter.  
The broken lines in the drawings depict portions of the cigarette case that form no part of the claimed design.

(56) **References Cited**

**U.S. PATENT DOCUMENTS**

4,328,902 A	5/1982	North	
4,650,256 A	3/1987	Wetzinger	
4,685,565 A	8/1987	Sparling	
4,790,443 A	12/1988	Auer	
5,024,067 A	6/1991	Maier, II	
5,503,288 A	4/1996	Conconi	
6,830,236 B2	12/2004	Augusto de Lorenzo	
D635,714 S *	4/2011	Rojas	D27/175
D704,549 S *	5/2014	Liu	D9/418
D723,736 S *	3/2015	Liu	D27/189
D737,506 S *	8/2015	Liu	D27/189
D756,563 S *	5/2016	Joyce, III	D27/189
D767,821 S *	9/2016	Clark	D27/189
D768,920 S *	10/2016	Jones	D27/189
D798,500 S *	9/2017	Joyce, III	D27/189

**1 Claim, 10 Drawing Sheets**



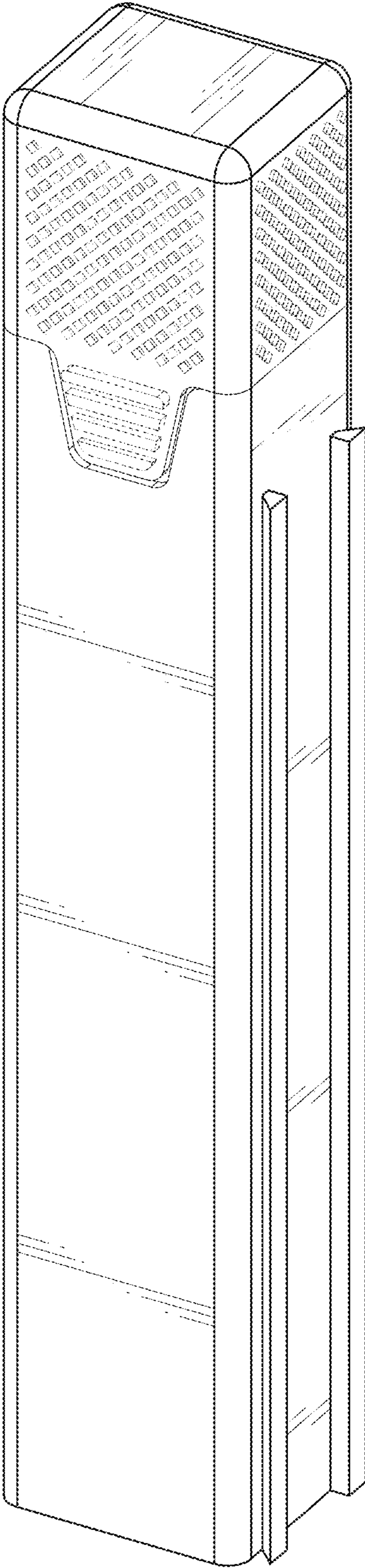
(56)

**References Cited**

U.S. PATENT DOCUMENTS

D848,850 S \* 5/2019 Gillespie ..... D9/529  
D851,829 S \* 6/2019 Weigensberg ..... D27/189  
D853,023 S \* 7/2019 Bailey ..... D27/189  
D882,166 S \* 4/2020 Seidenfeld ..... D27/172  
2009/0090647 A1 4/2009 Panchal et al.  
2016/0068303 A1 3/2016 Schroeder et al.  
2016/0229107 A1 8/2016 Hendrickson et al.  
2016/0367055 A1 12/2016 Rausch et al.  
2017/0081076 A1 3/2017 Meroz  
2017/0217634 A1 8/2017 Hendrickson et al.

\* cited by examiner



*FIG. 1*

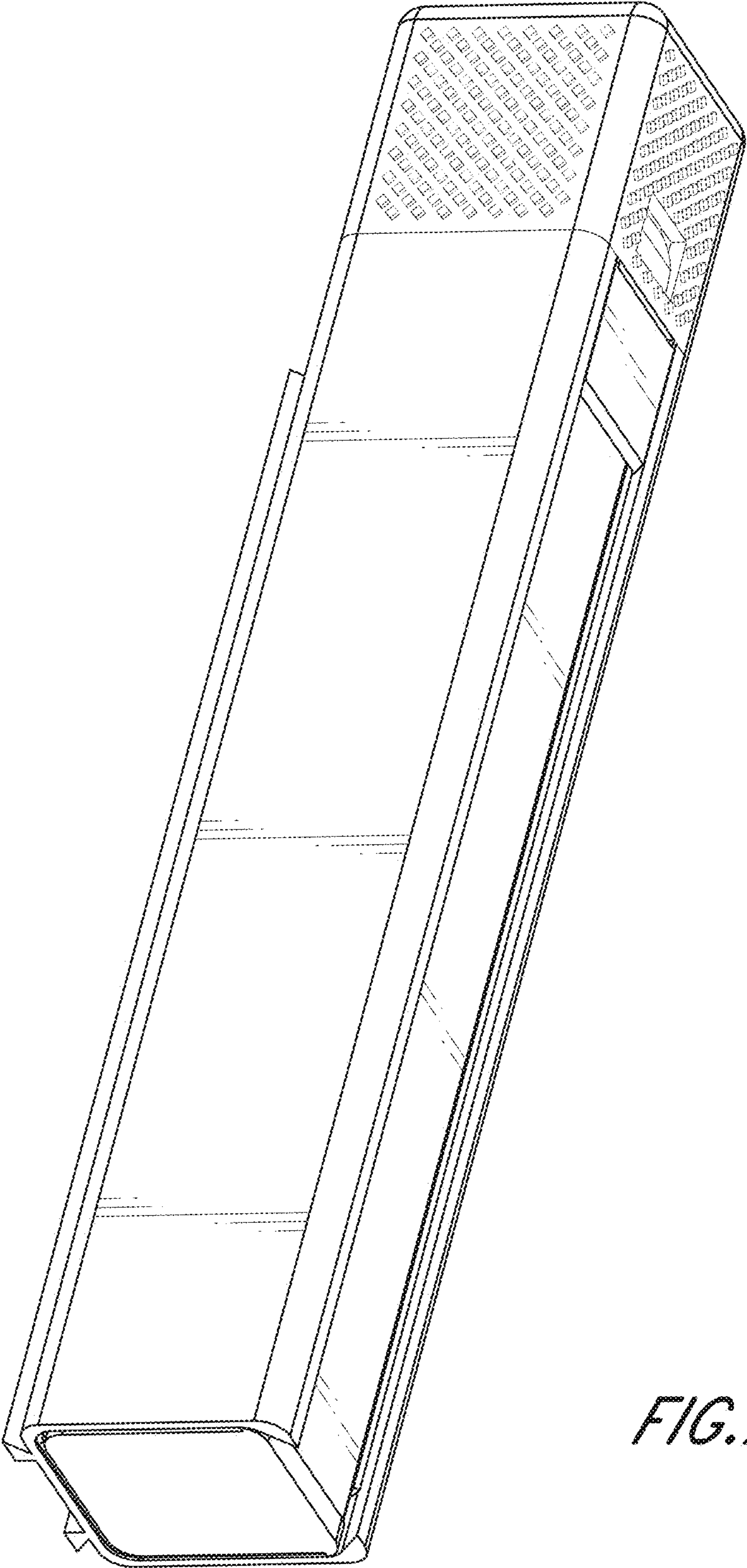
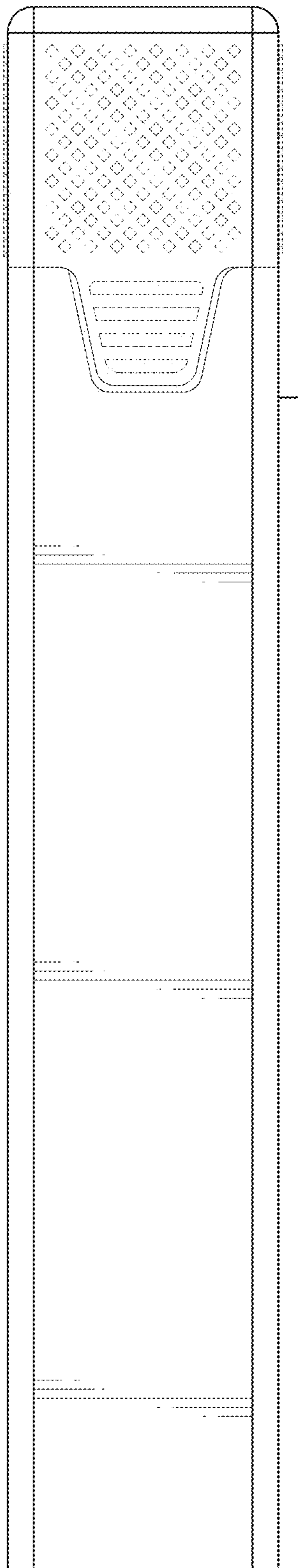
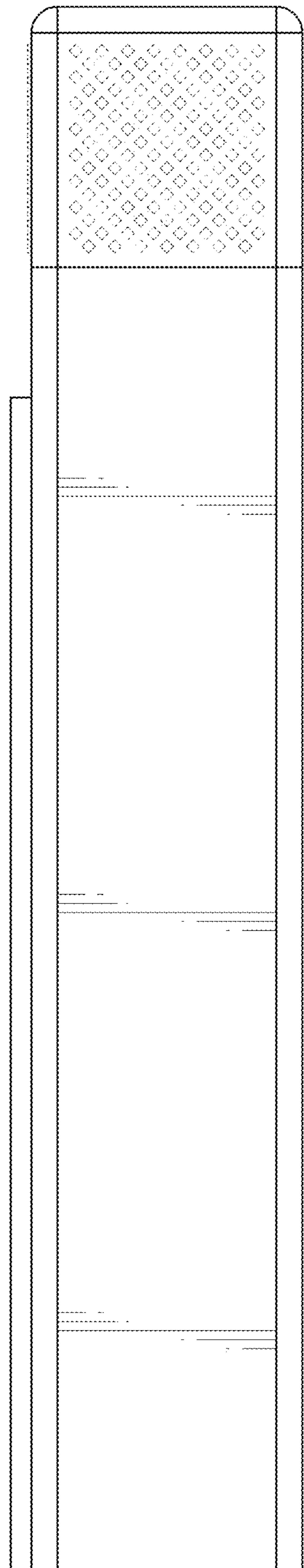


FIG. 2

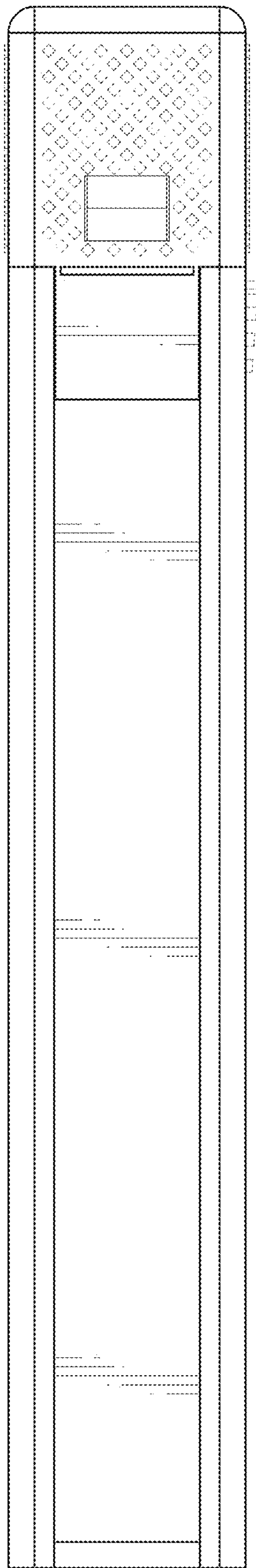




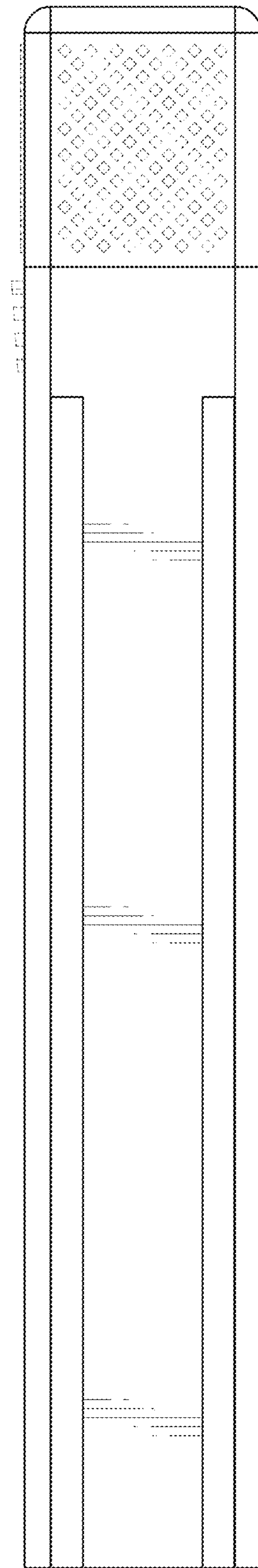
*FIG. 3*



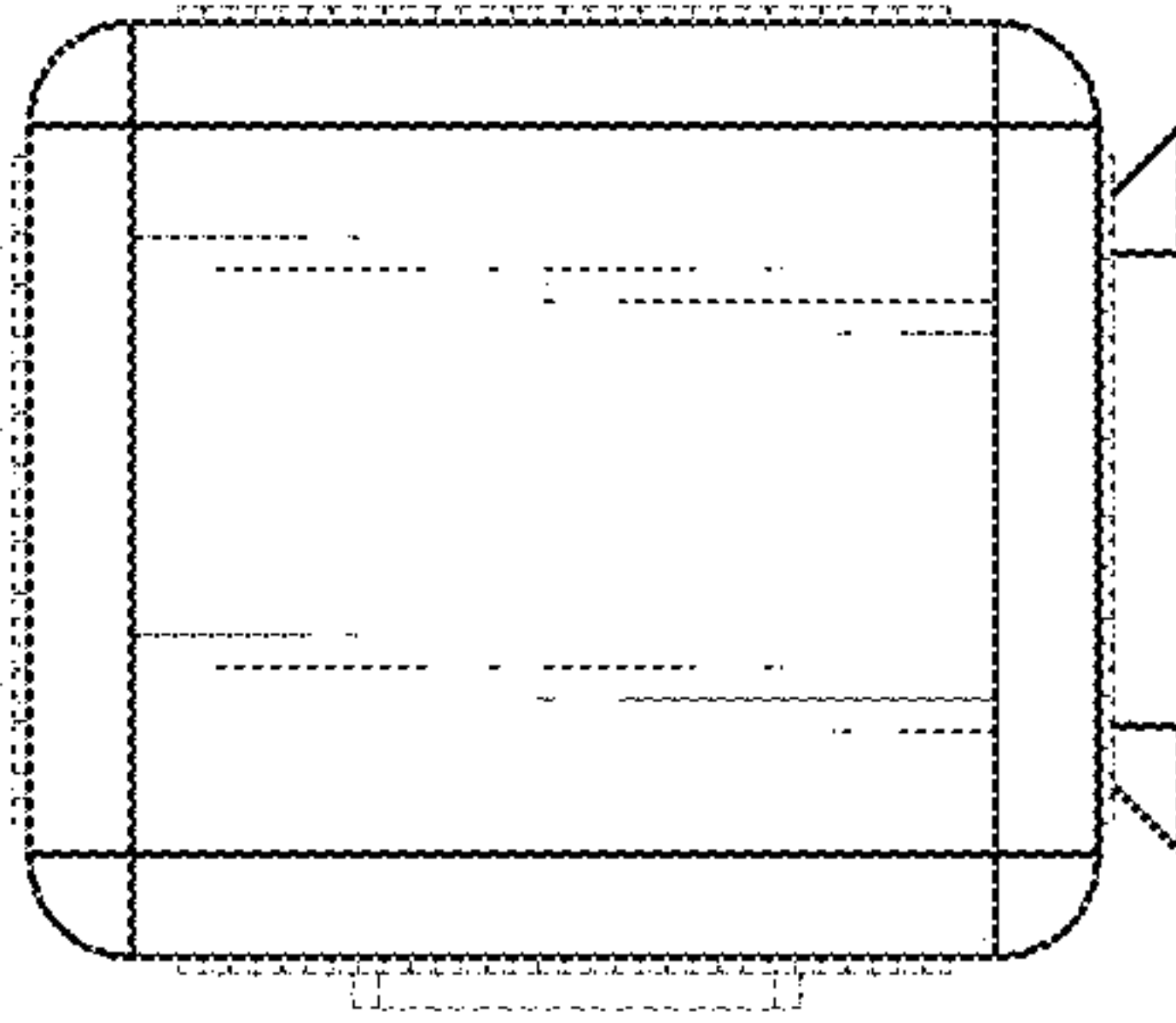
*FIG. 4*



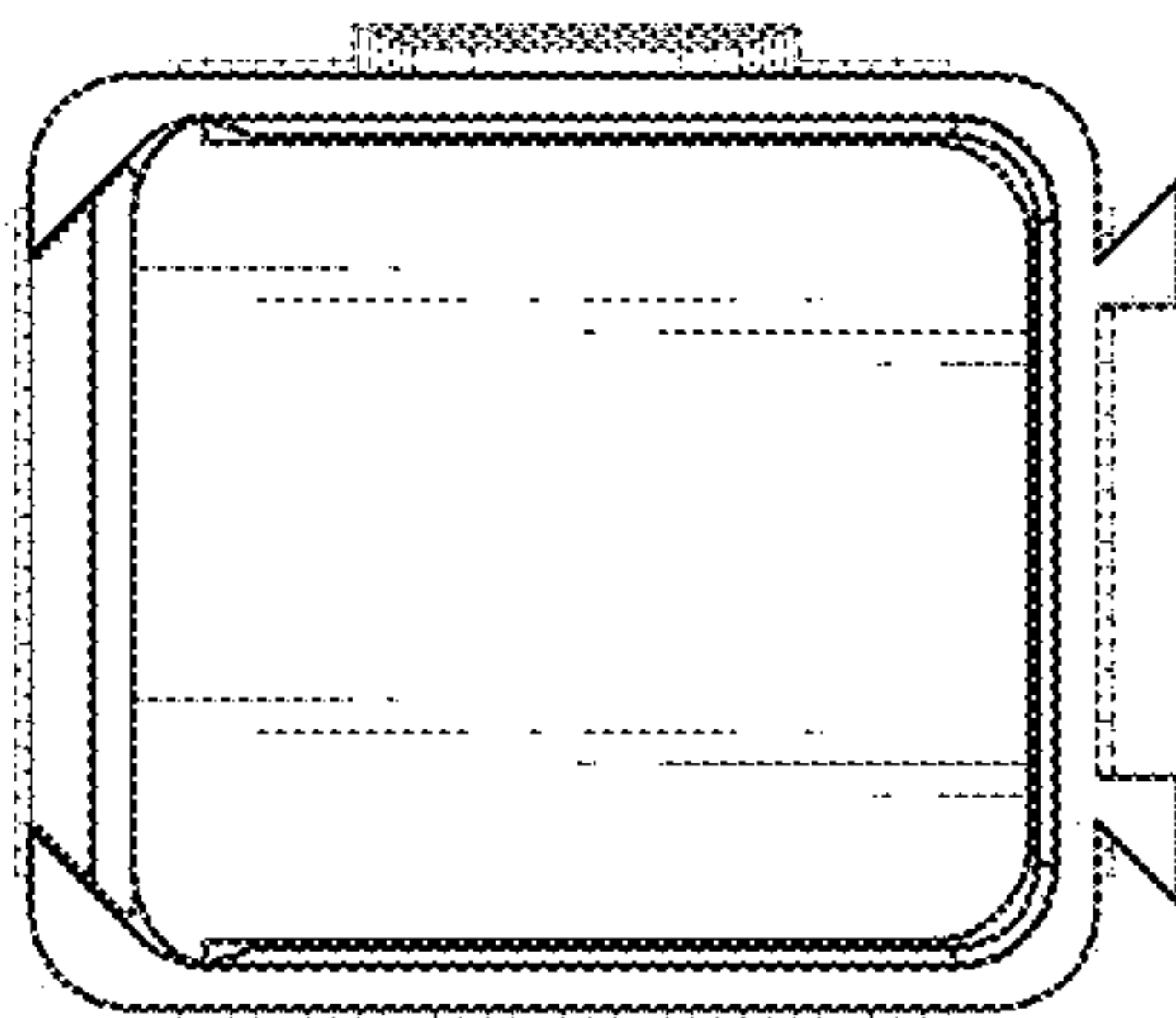
*FIG. 5*



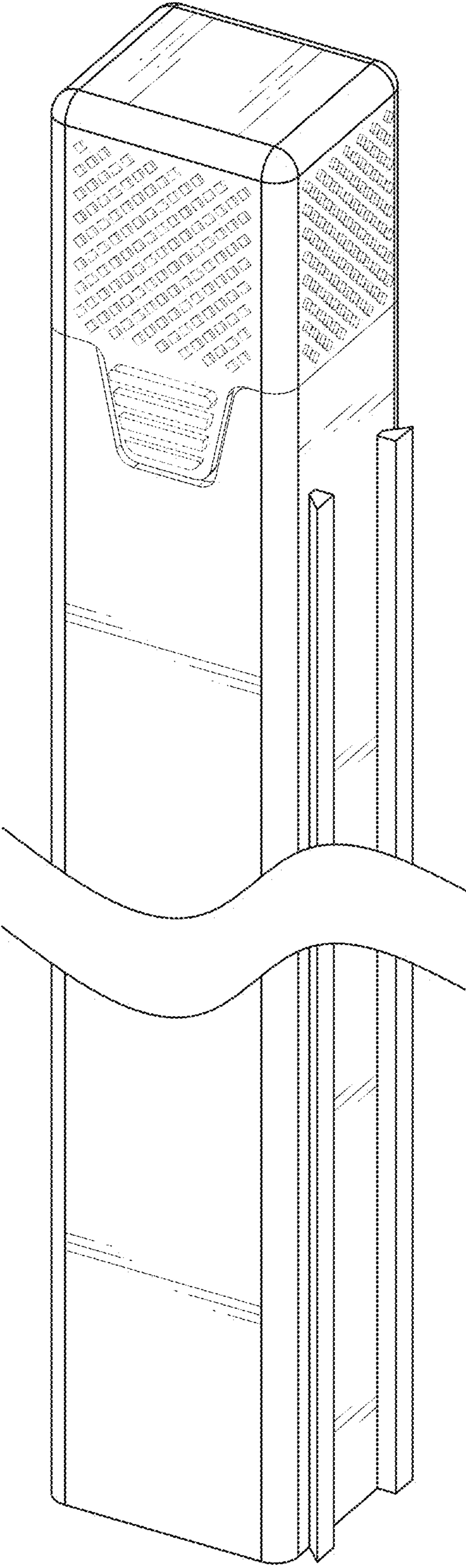
*FIG. 6*



*FIG. 7*

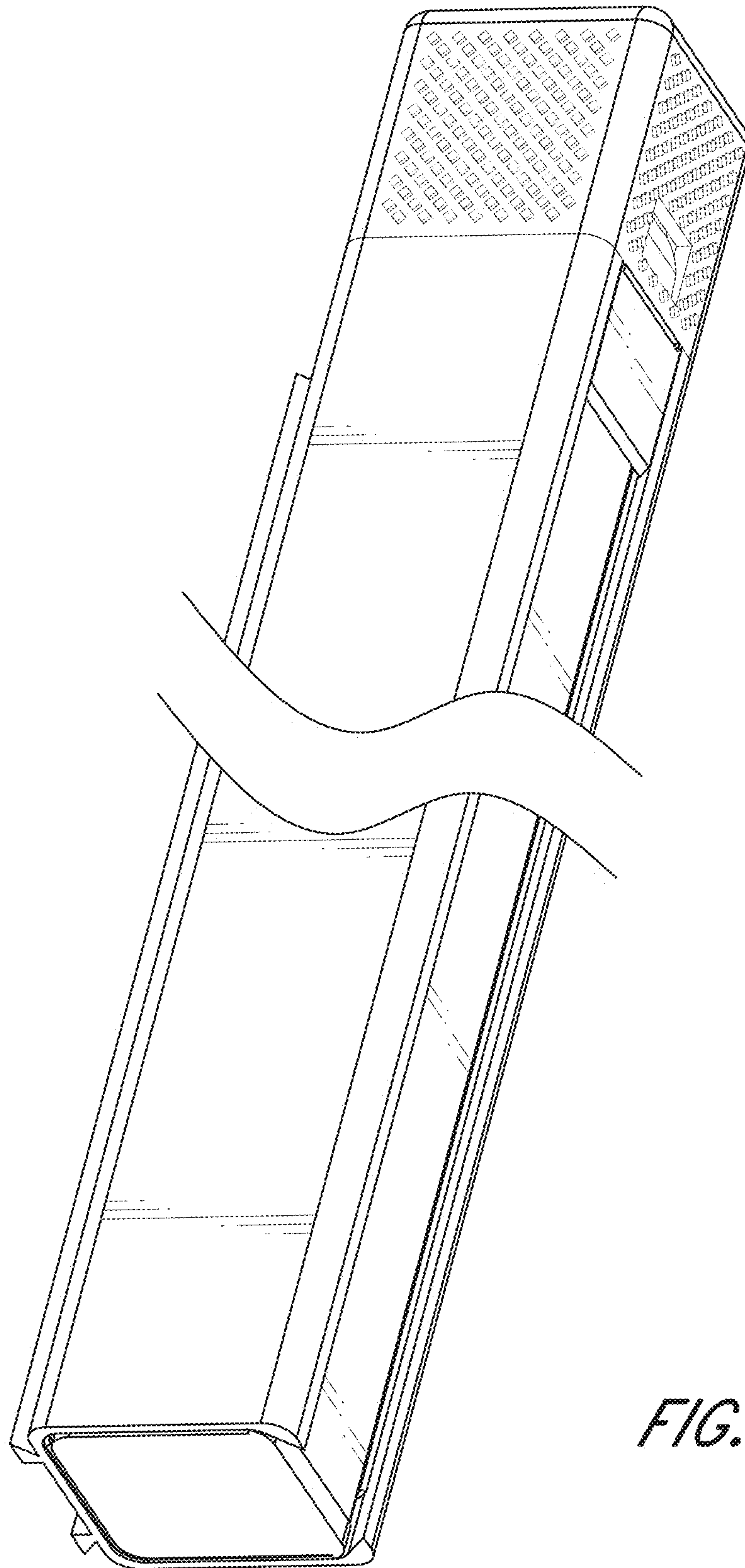


*FIG. 8*

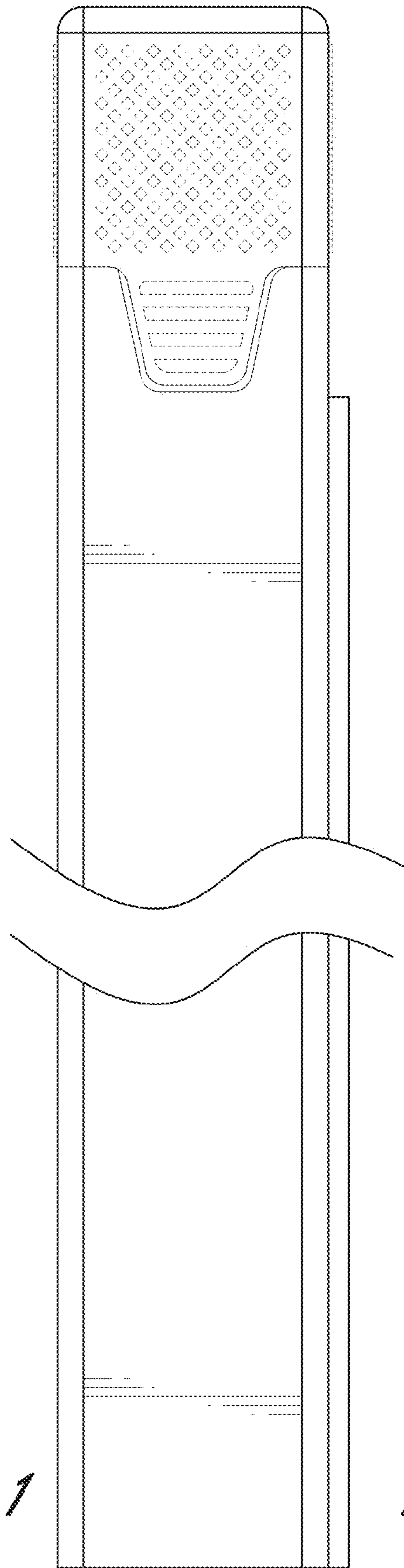


*FIG. 9*

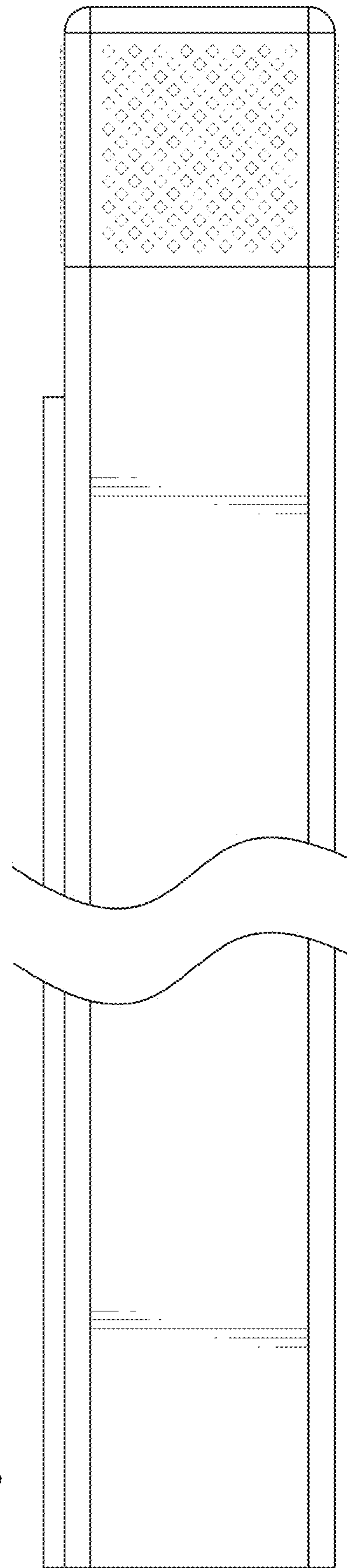




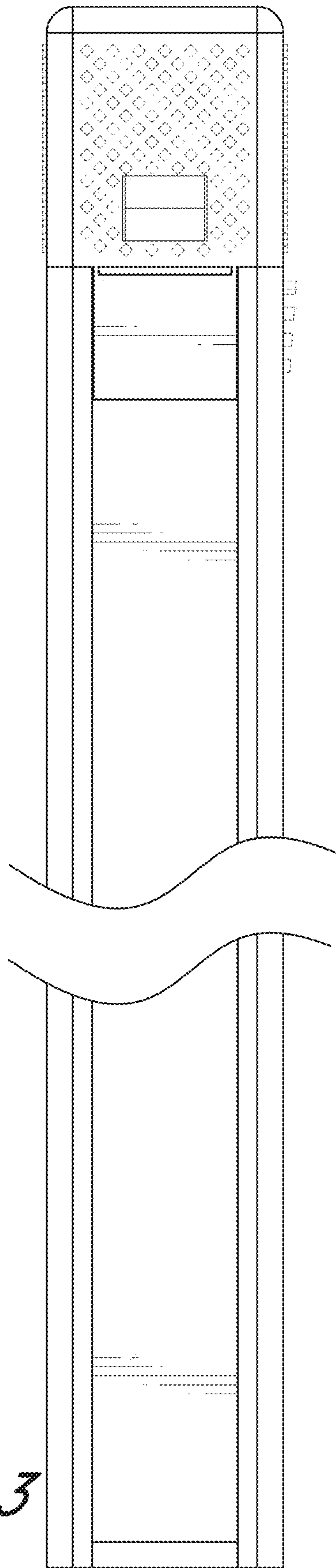
*FIG. 10*



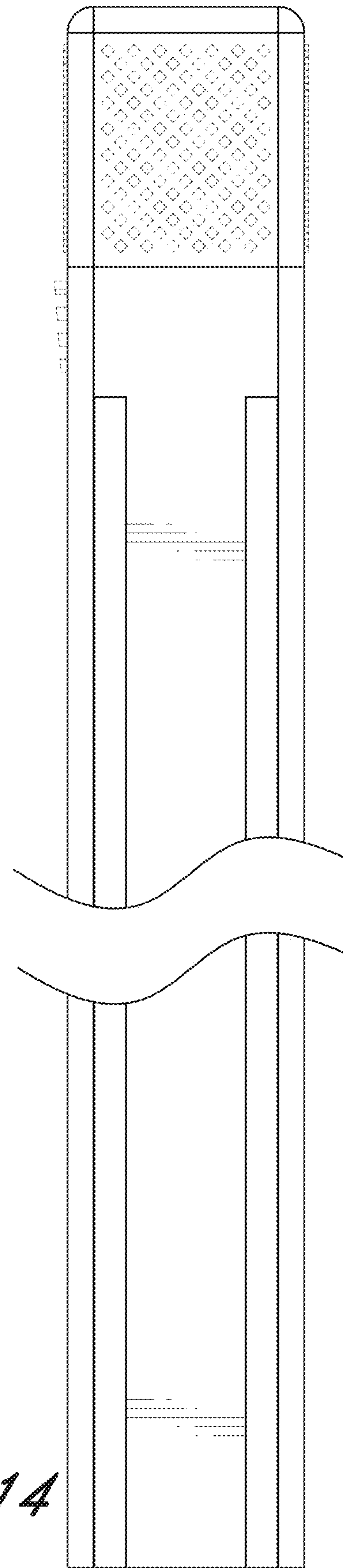
*FIG. 11*



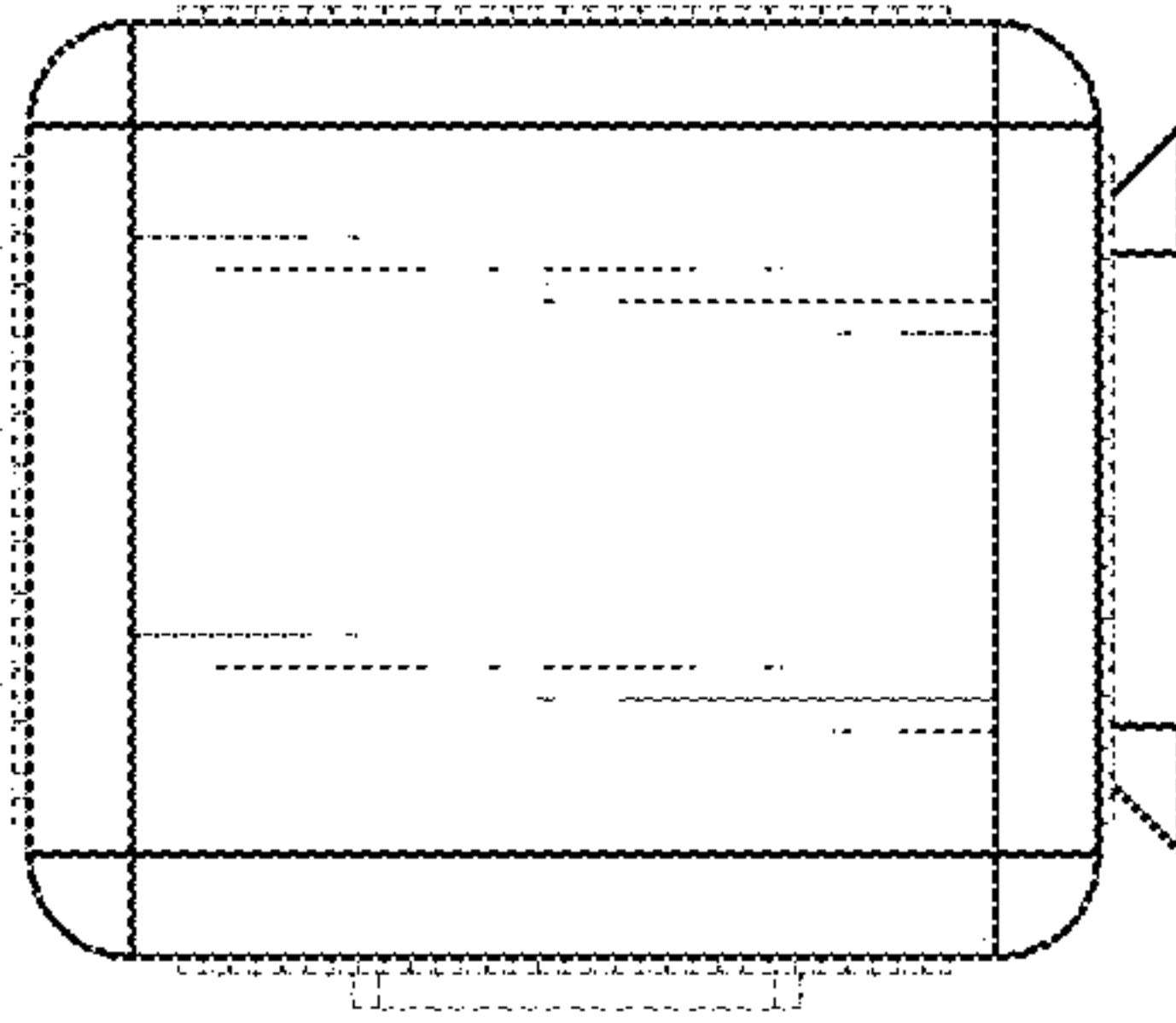
*FIG. 12*



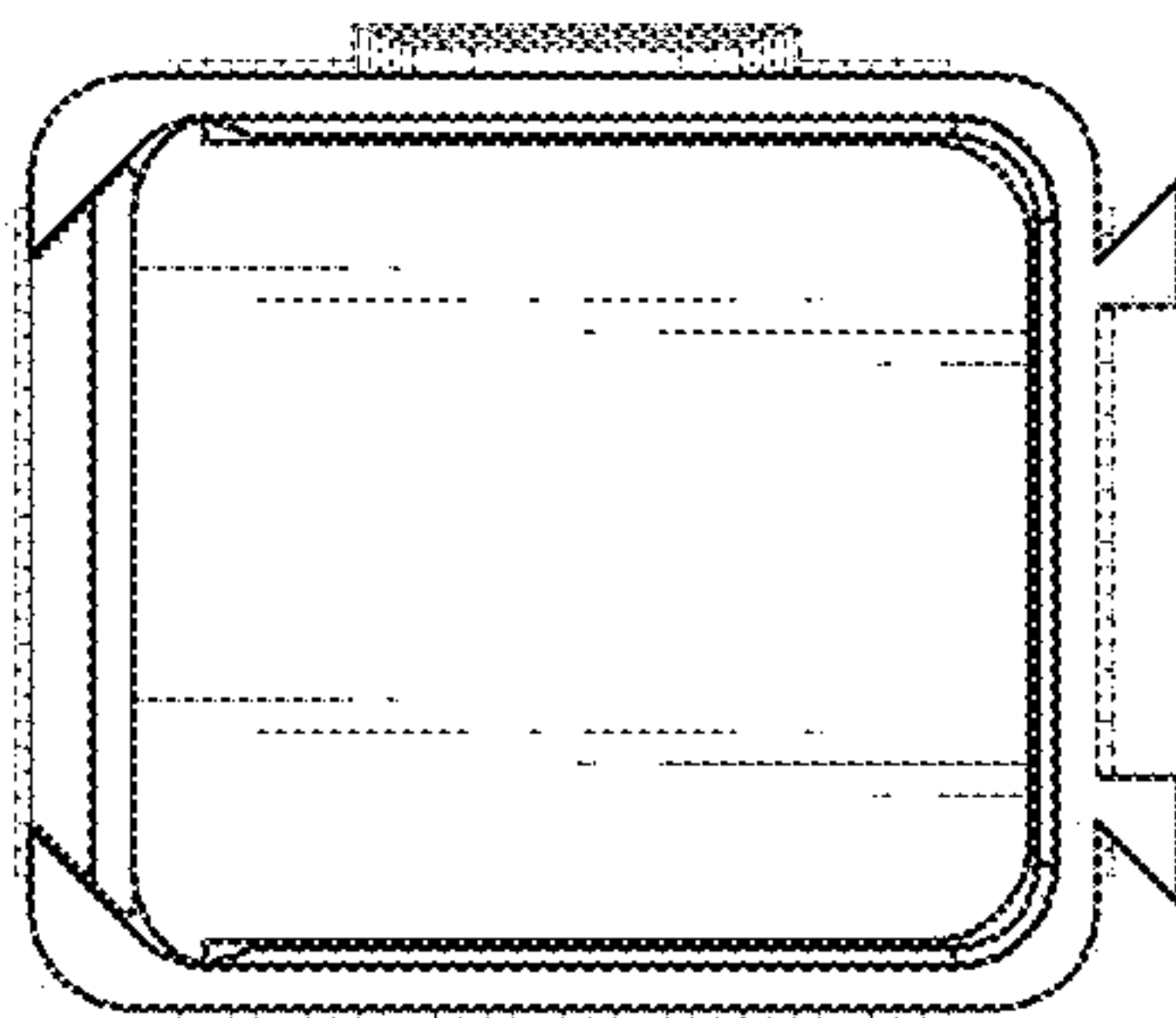
*FIG. 13*



*FIG. 14*



*FIG. 15*



*FIG. 16*