



US00D928401S

(12) **United States Design Patent** (10) **Patent No.:** **US D928,401 S**
Kilger et al. (45) **Date of Patent:** **** Aug. 17, 2021**

(54) **CAPSULE**

A24F 42/20; A24F 15/01; A61M 11/042;
A61M 15/06; A61M 2205/8206; A61M
2205/3653; A61M 2016/0024; A61M
(Continued)

(71) Applicant: **Smokeless.world GmbH**, Grünwald
(DE)

(72) Inventors: **Daniel Kilger**, Munich (DE); **Patrick
Müller**, Heiningen (DE); **Michael
Sedlmeier**, Munich (DE)

(56) **References Cited**

U.S. PATENT DOCUMENTS

(73) Assignee: **SMOKELESS.WORLD GMBH**,
Grünwald (DE)

D377,215 S * 1/1997 Rand D24/110
D527,817 S * 9/2006 Ziegler D24/110
(Continued)

(**) Term: **15 Years**

FOREIGN PATENT DOCUMENTS

(21) Appl. No.: **29/703,940**

CN 201630006750 * 7/2016
CN 201730631569 * 4/2018
CN 201930132163.9 * 12/2019

(22) Filed: **Aug. 30, 2019**

(30) **Foreign Application Priority Data**

Primary Examiner — Marissa J Cash
Assistant Examiner — William B Melliar
(74) *Attorney, Agent, or Firm* — Greer, Bums & Crain,
Ltd.

Mar. 1, 2019 (EM) 006272571-0002

(51) **LOC (13) Cl.** **27-02**

(52) **U.S. Cl.**
USPC **D27/167; D27/162**

(57) **CLAIM**

The ornamental design for a capsule, as shown and
described.

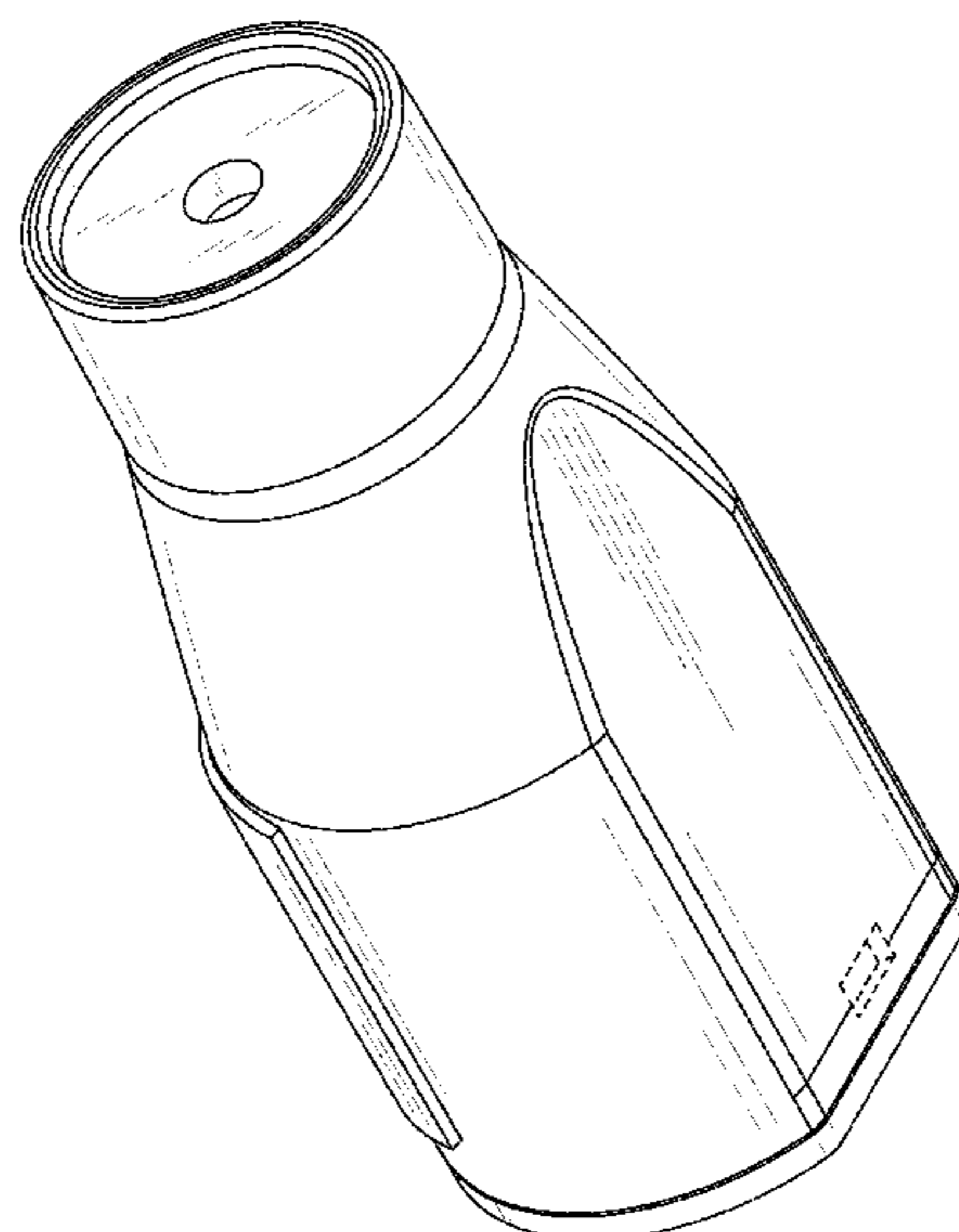
(58) **Field of Classification Search**

USPC D27/100, 101, 162, 163, 164, 170, 171,
D27/172, 173, 174, 180, 181, 182, 183,
D27/184, 190, 191, 192, 193, 165, 166,
D27/167, 168, 169, 175, 176, 177, 178,
D27/179, 185, 186, 187, 188, 189;
D24/110, 110.2, 110.5, 110.6; D28/91.1
CPC A24F 47/008; A24F 40/10; A24F 40/40;
A24F 40/42; A24F 40/46; A24F 47/00;
A24F 40/44; A24F 40/50; A24F 40/90;
A24F 40/485; A24F 40/70; A24F 40/60;
A24F 47/002; A24F 40/48; A24F 40/51;
A24F 40/53; A24F 40/57; A24F 40/65;
A24F 7/00; A24F 40/20; A24F 40/05;
A24F 40/30; A24F 7/02; A24F 7/04;
A24F 15/015; A24F 1/32; A24F 40/00;
A24F 40/49; A24F 40/85; A24F 40/95;
A24F 42/60; A24F 40/465; A24F 1/00;
A24F 1/02; A24F 47/004; A24F 9/16;

DESCRIPTION

FIG. 1 is a bottom perspective view of the present capsule;
FIG. 2 is another bottom perspective view of same;
FIG. 3 is a top perspective view of the present capsule;
FIG. 4 is another top perspective view of same;
FIG. 5 is a right side view of the present capsule;
FIG. 6 is a left side view of same;
FIG. 7 is a front view of the present capsule, the rear view
is a mirror image of the front view;
FIG. 8 is a top view of the present capsule; and,
FIG. 9 is a bottom view of same.
The subject matter depicted in broken lines is for environ-
ment purposes only and forms no part of the claimed
invention.

1 Claim, 8 Drawing Sheets



(58) **Field of Classification Search**

CPC .. 11/005; A61M 2016/0027; A61M 2205/587;
 A61M 11/003; A61M 11/044; A61M
 15/002; A61M 15/0085; A61M 16/0003;
 A61M 2205/3368; A61M 2205/8256;
 A61M 11/001; A61M 11/04; A61M
 15/0021; A61M 2016/0018; A61M
 2016/0021; A61M 2021/0016; A61M
 2205/8268; A61M 2209/02; A61M
 11/041; A61M 15/0025; A61M 15/008;
 A61M 2016/0033; A61M 2016/0039;
 A61M 21/00; A61M 2205/0211; A61M
 2205/3331; A61M 2205/3334; A61M
 2205/3379; A61M 2205/52; A61M
 2205/58; A61M 2205/583; A61M
 2205/6018; A61M 2205/6054; A61M
 2205/75; A61M 2206/11; A61M 2206/20;
 A61M 2209/045; A61M 11/02; A61M
 15/0001; A61M 2205/42; A61M 35/003;
 A61M 35/25; A61M 11/00; A61M
 11/002; A61M 11/006; A61M 11/007;
 A61M 11/06; A61M 15/00; A61M
 15/0028; A61M 15/0065; A61M 15/0066;
 A61M 15/0091; A61M 15/0095; A61M
 16/06; A61M 2016/0036; A61M
 2202/0007; A61M 2202/0468; A61M
 2205/0238; A61M 2205/0288; A61M
 2205/07; A61M 2205/103; A61M
 2205/12; A61M 2205/18; A61M

2205/3317; A61M 2205/3327; A61M
 2205/3337; A61M 2205/3372; A61M
 2205/3375; A61M 2205/3569; A61M
 2205/3592; A61M 2205/50; A61M
 2205/581; A61M 2205/6009; A61M
 2205/8243; A61M 2205/8262; A61M
 2206/16; A61M 2206/18; A61M 2207/00;
 A61M 2209/086; A61M 2209/10; A61M
 2210/04; A61M 2210/0612; A61M
 2230/42; A61M 2240/00; A61M 35/30;
 A61M 39/24; A24B 15/167; A24B 15/16;
 A24B 15/18; A24B 15/303; A24B
 15/308; A24B 15/34

See application file for complete search history.

(56)

References Cited

U.S. PATENT DOCUMENTS

D528,654	S	*	9/2006	Nishibayashi	D24/110
D813,448	S	*	3/2018	Servutas	D27/167
D814,629	S	*	4/2018	Chuang	D24/110
D823,535	S	*	7/2018	Xu	D27/163
D825,842	S	*	8/2018	Xu	D27/163
D828,530	S	*	9/2018	Brandenburg	D23/366
D844,233	S	*	3/2019	Yamada	D27/167
D854,739	S	*	7/2019	Li	D27/162
D864,475	S	*	10/2019	Pierce	D27/162
D877,409	S	*	3/2020	Jiang	D27/162
D880,765	S	*	4/2020	Tasselli	D27/163
2020/0107576	A1	*	4/2020	Rains	A24F 1/30

* cited by examiner

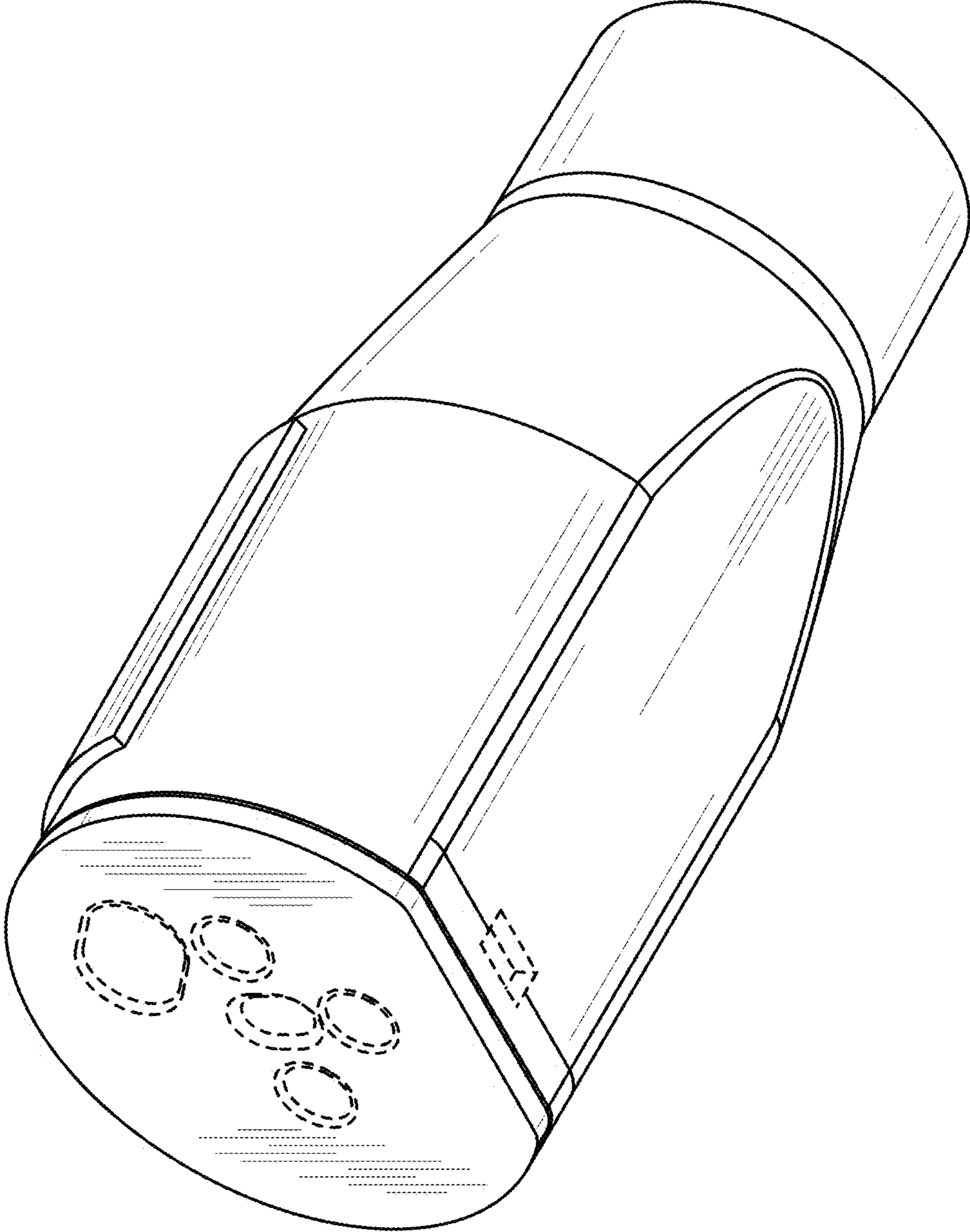


FIG. 1

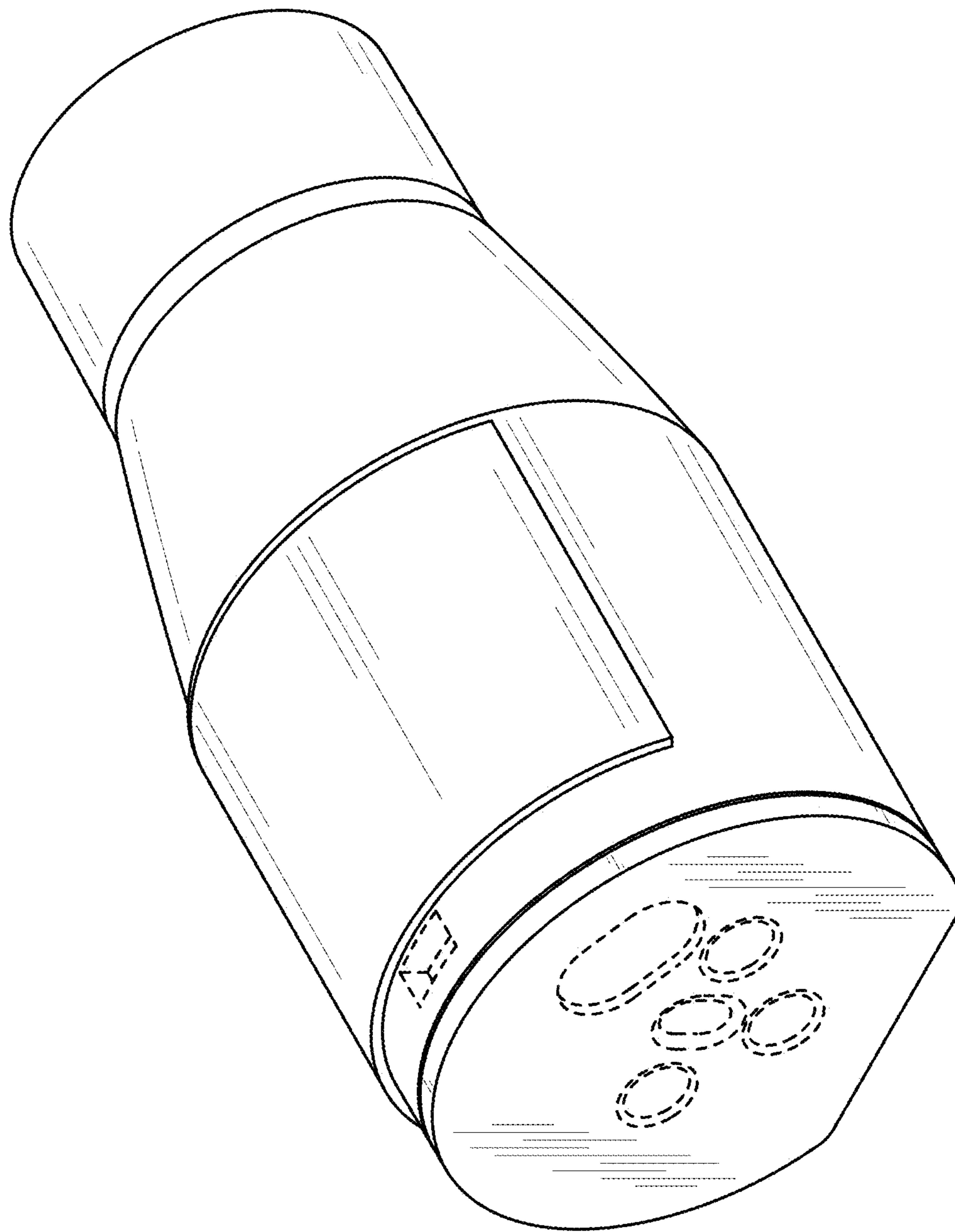


FIG. 2

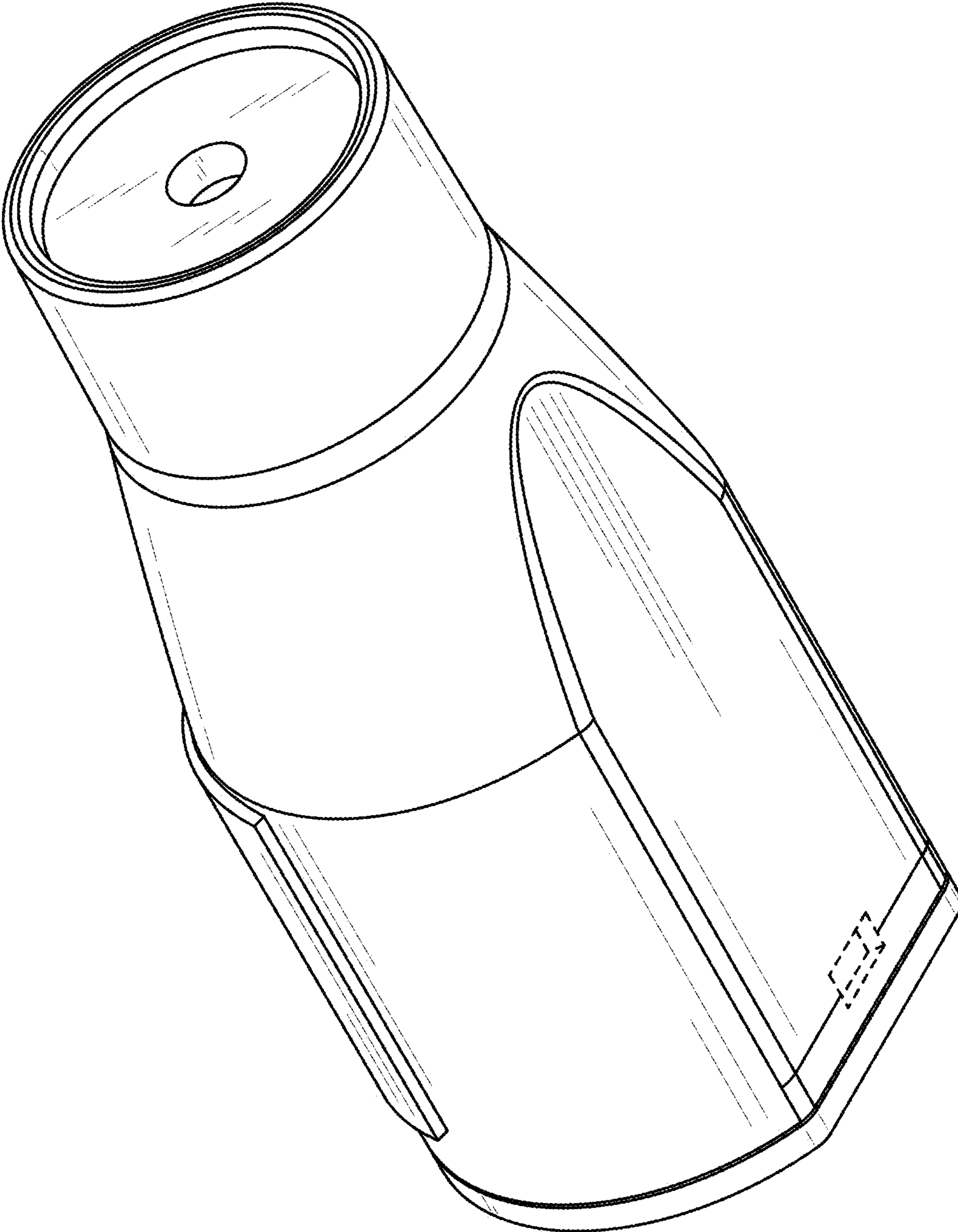


FIG. 3

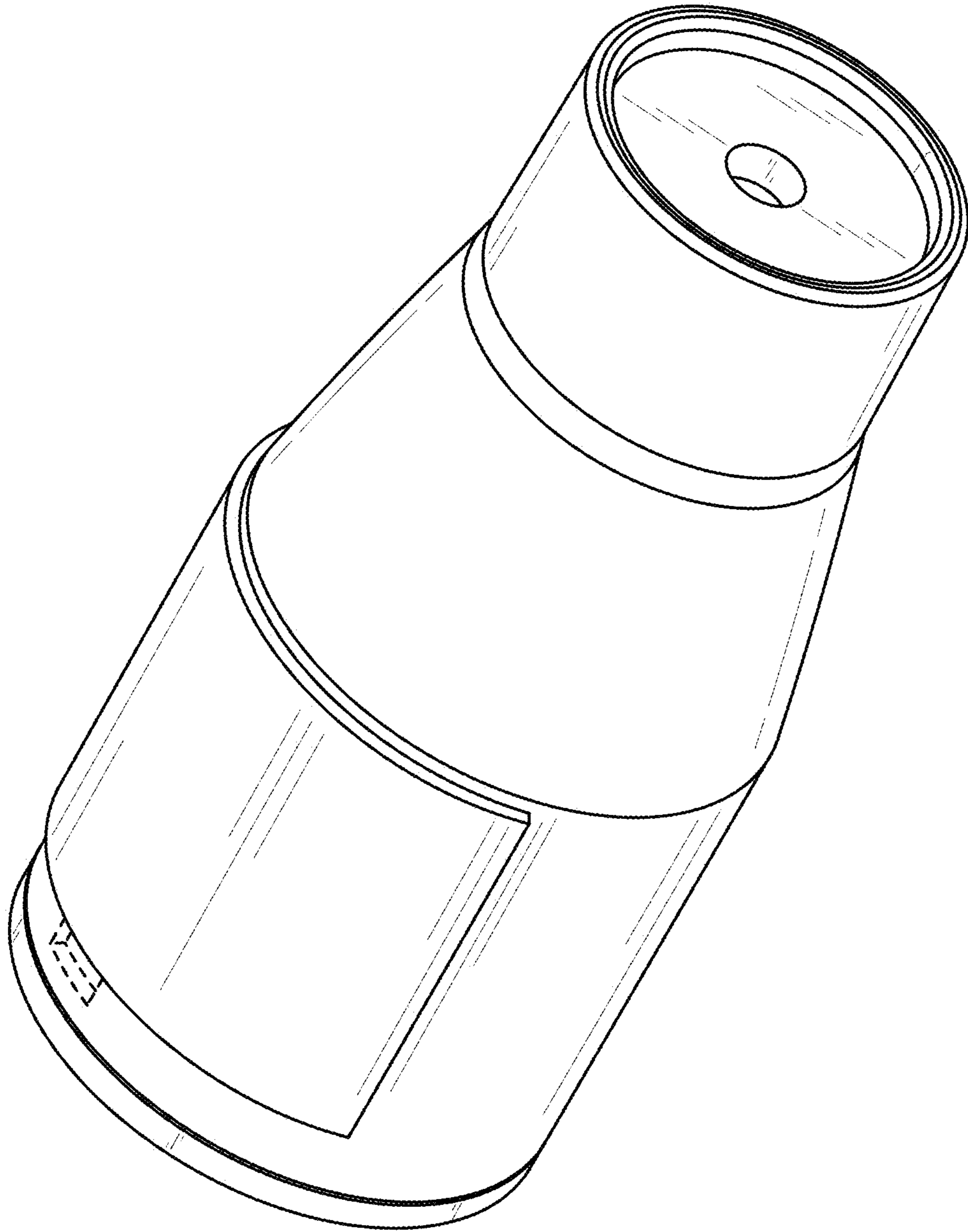


FIG. 4

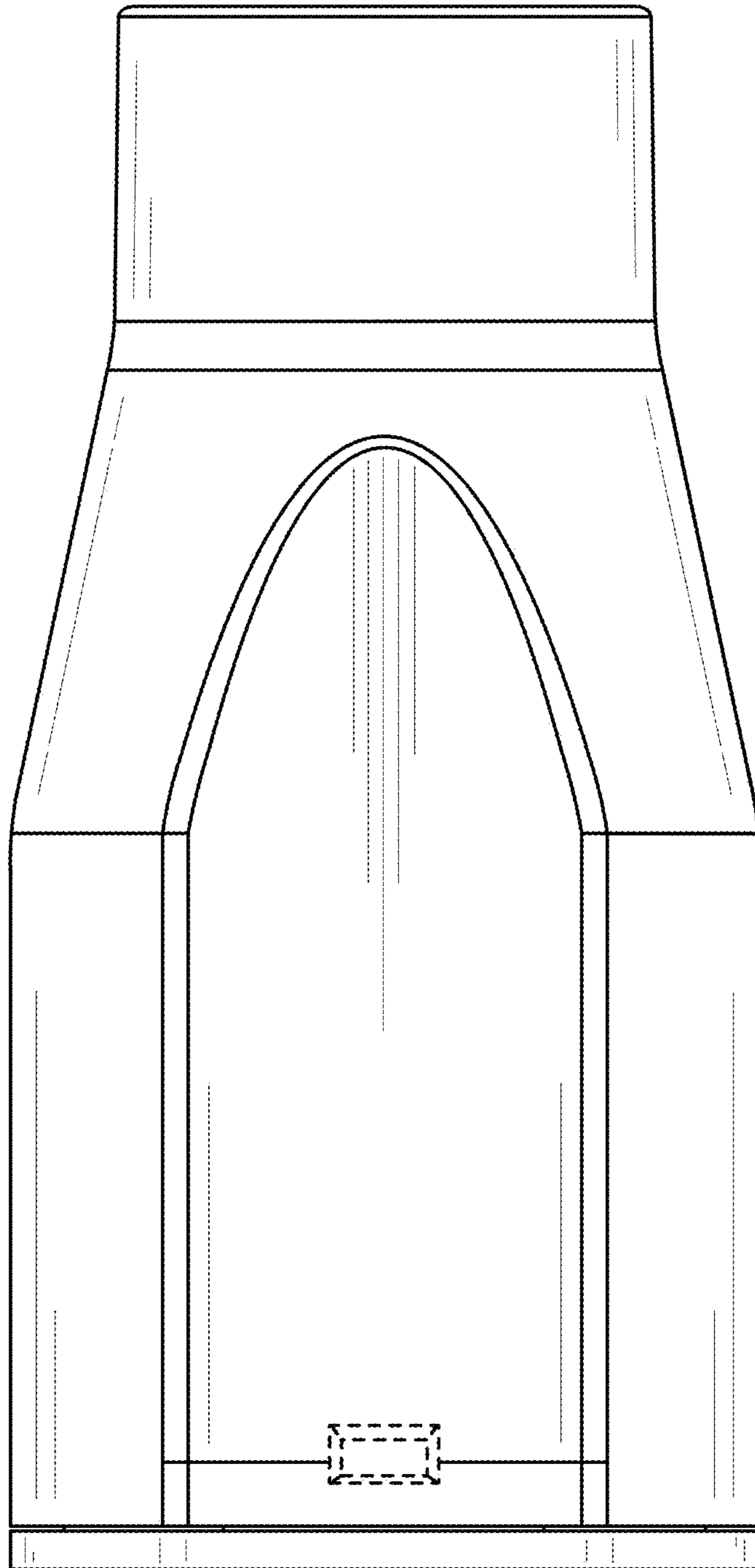


FIG. 5

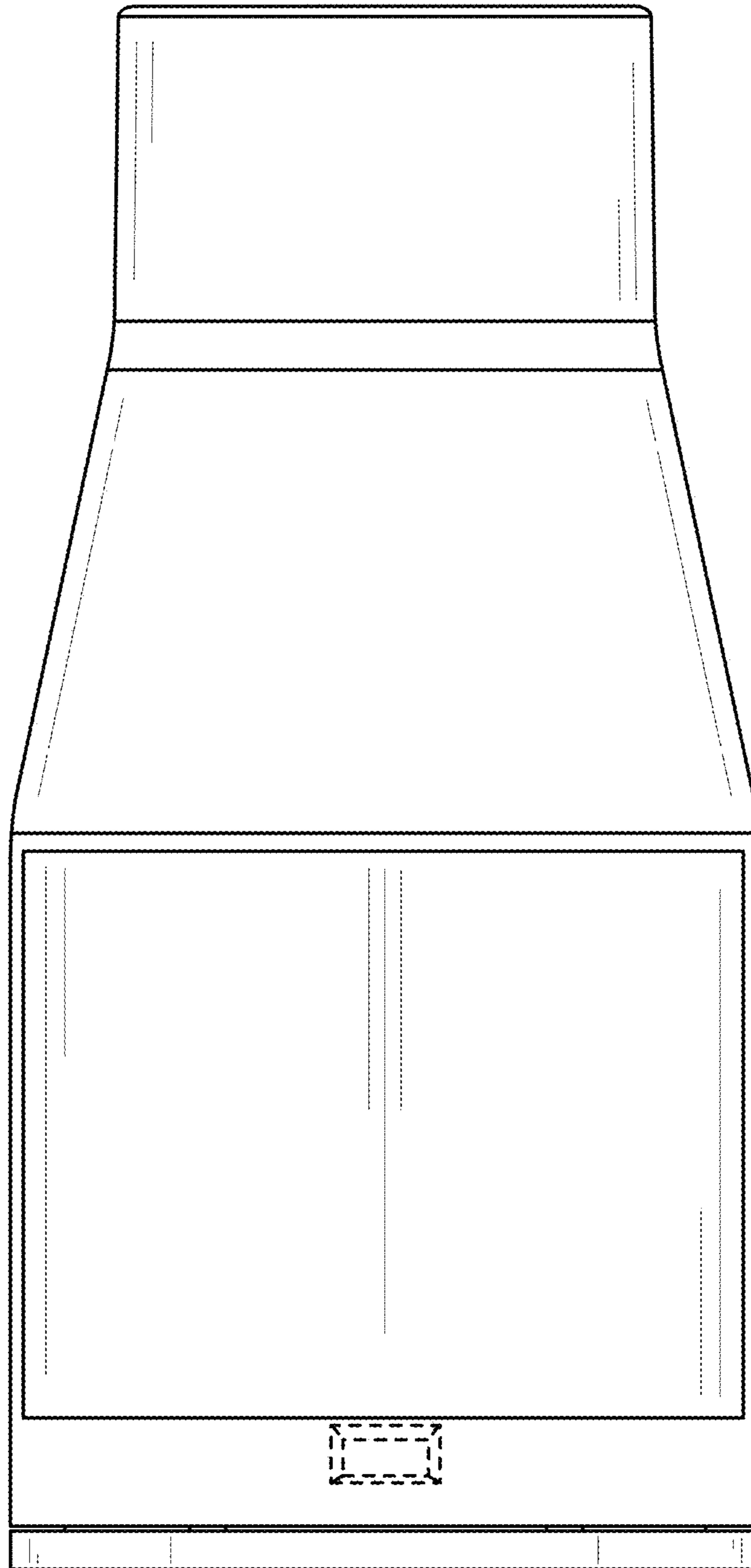


FIG. 6

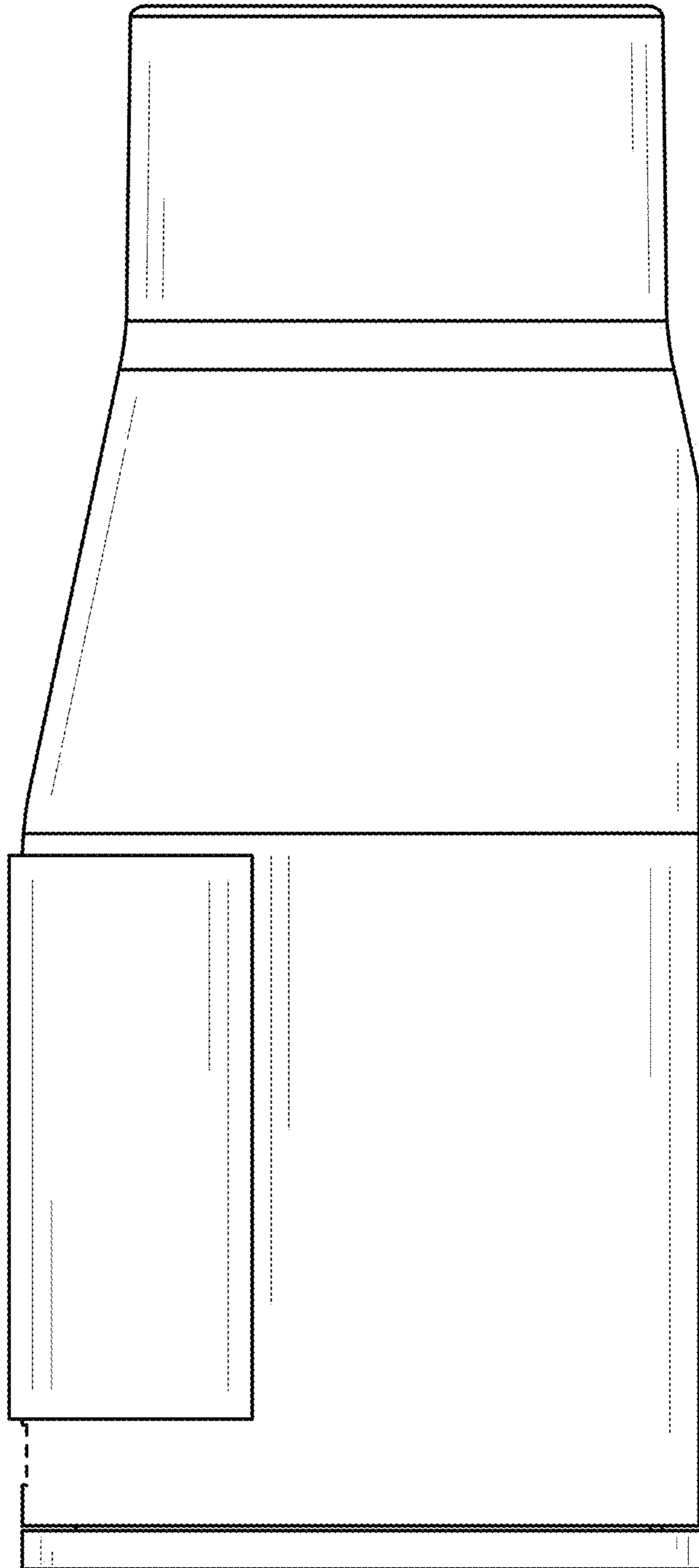


FIG. 7

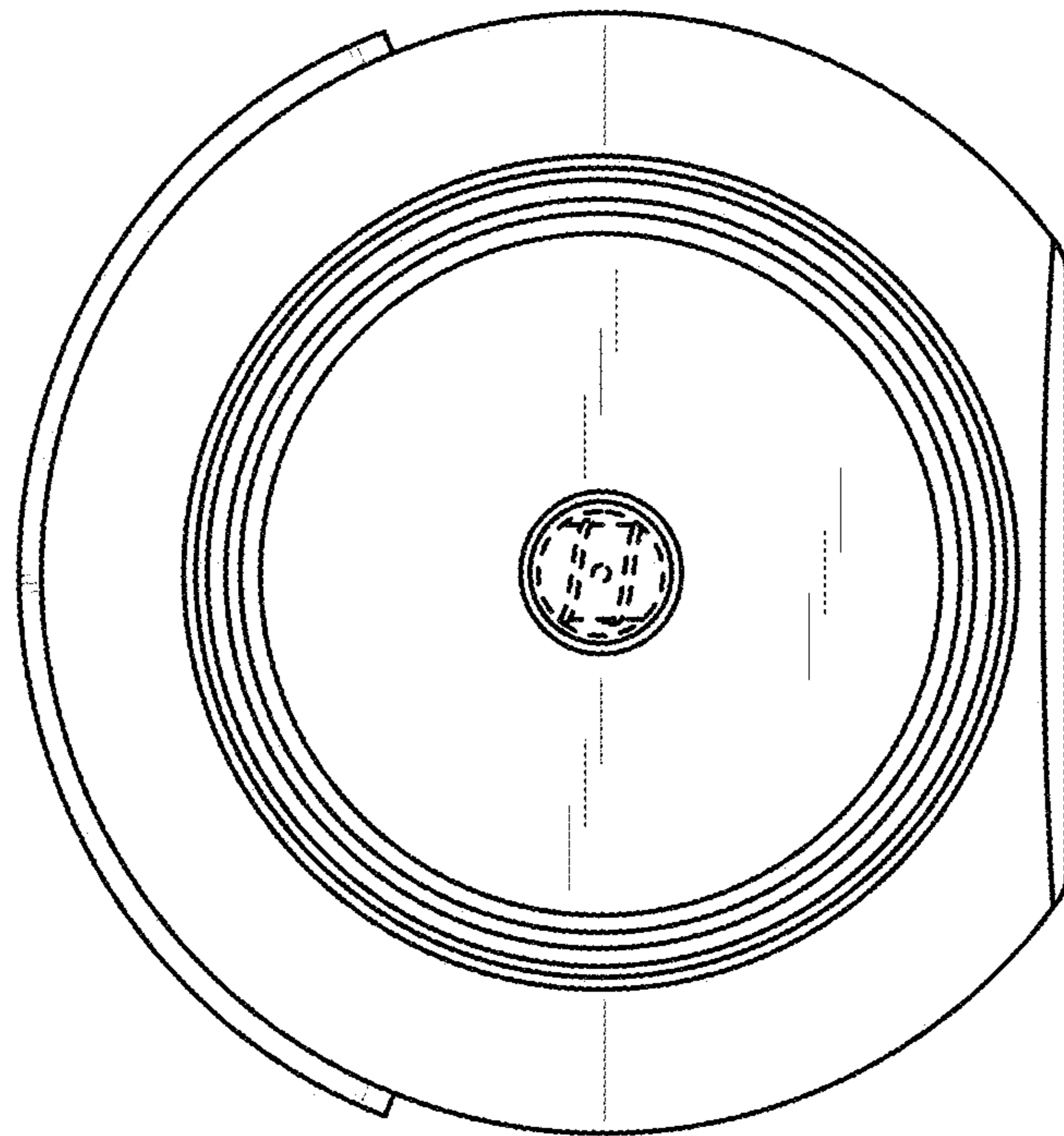


FIG. 8

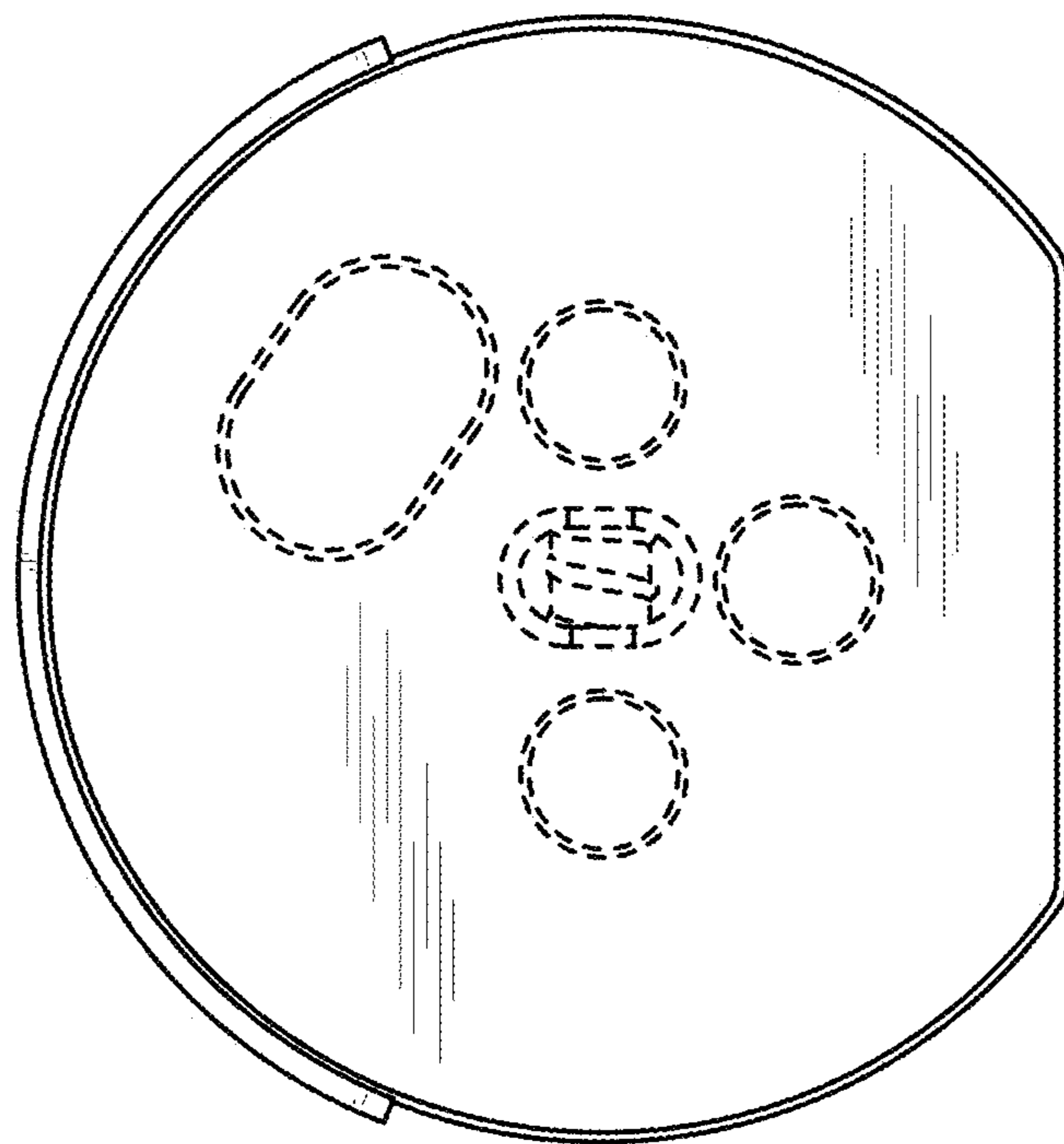


FIG. 9