



US00D928399S

(12) **United States Design Patent** (10) **Patent No.:** **US D928,399 S**
Chen (45) **Date of Patent:** **** Aug. 17, 2021**

(54) **ELECTRONIC CIGARETTE**

A24F 40/44; A24F 40/48; A24F 40/50;
A24F 1/00; A24F 47/00; A24F 40/53;
A24F 40/65

(71) Applicant: **SHENZHEN SINOVA TECHNOLOGY CO., LTD.**, Shenzhen (CN)

See application file for complete search history.

(72) Inventor: **Jingming Chen**, Shenzhen (CN)

(56) **References Cited**

(73) Assignee: **SHENZHEN SINOVA TECHNOLOGY CO., LTD.**, Shenzhen (CN)

U.S. PATENT DOCUMENTS

(**) Term: **15 Years**

D799,112 S *	10/2017	Qiu	D27/101
D799,113 S *	10/2017	Qiu	D27/101
D829,371 S *	9/2018	Durand	D27/101
D829,980 S *	10/2018	Qiu	D27/162
D832,500 S *	10/2018	Qiu	D27/162
D834,246 S *	11/2018	Qiu	D27/162
D850,712 S *	6/2019	Fornarelli	D27/162

(Continued)

(21) Appl. No.: **29/734,347**

(22) Filed: **May 12, 2020**

FOREIGN PATENT DOCUMENTS

(51) **LOC (13) Cl.** **27-02**

CN	201830695961.8	*	4/2019
CN	201930346622.3	*	12/2019

(52) **U.S. Cl.**

USPC **D27/162**

(Continued)

(58) **Field of Classification Search**

USPC D27/100, 101, 162, 163, 164, 165, 166, D27/167, 168, 169, 170, 171, 172, 173, D27/174, 175, 176, 177, 178, 179, 180, D27/181, 182, 183, 184, 185, 186, 187, D27/188, 189, 190, 191, 192, 193, 194, D27/196; D28/91.1; D23/360, 362; D24/110, 110.4, 110.5, 110.6, 113

Primary Examiner — Marissa J Cash
Assistant Examiner — William B Melliar

(57) **CLAIM**

The ornamental design for an electronic cigarette, as shown and described.

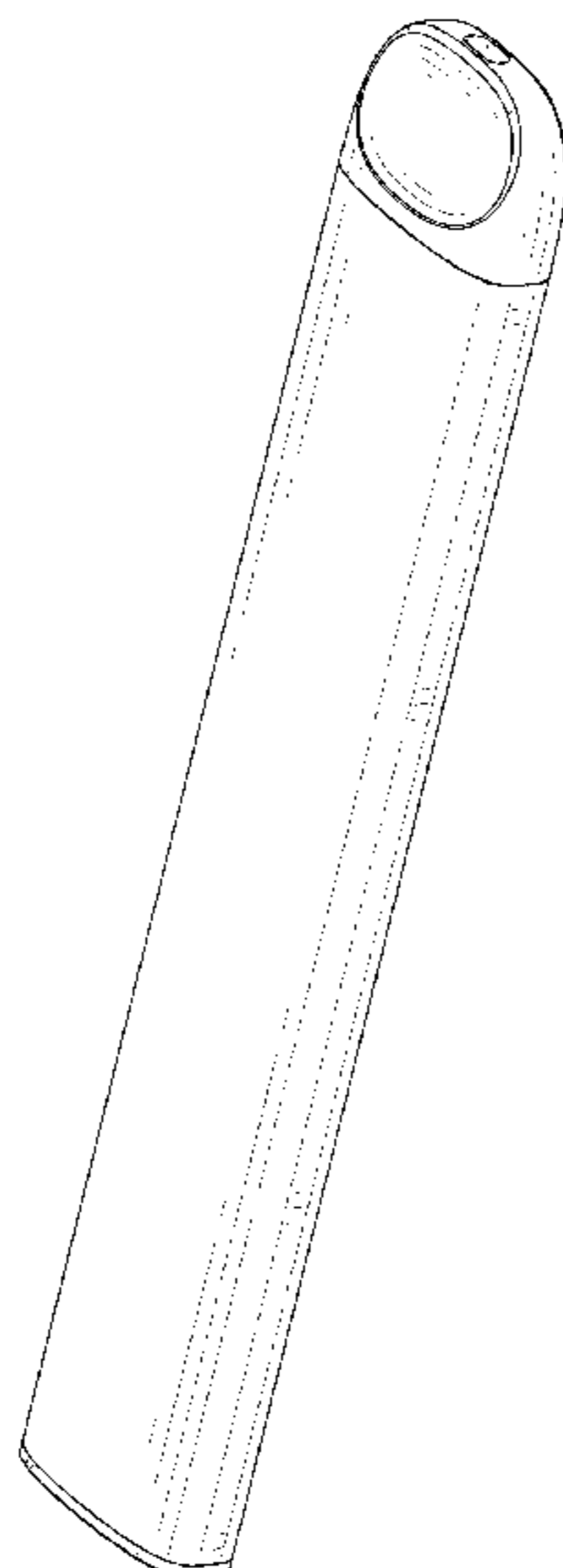
CPC A24F 40/10; A24F 40/40; A24F 40/46; A24F 47/008; A24F 40/60; A24F 40/70; A24F 40/51; A24F 40/20; A24F 40/05; A24F 40/90; A24F 40/30; A24F 40/95; A24F 40/00; A24F 7/00; A24F 13/00; A24F 13/14; A24F 1/32; A24F 40/49; A24F 42/60; A24F 42/80; A24F 47/002; A24F 7/02; A24F 9/16; A24F 40/42; A24F 40/57; A24F 15/015; A24F 40/465; A24F 1/02; A24F 2700/03; A24F 15/01; A24F 1/28; A24F 40/85; A24F 42/00; A24F 42/10; A24F 42/20; A24F 47/004; A24F 47/006; A24F 7/04; A24F 40/485;

DESCRIPTION

FIG. 1 is a perspective view of an electronic cigarette showing my new design;
FIG. 2 is another perspective view thereof;
FIG. 3 is a front elevational view thereof;
FIG. 4 is a rear elevational view thereof;
FIG. 5 is a left side elevational view thereof;
FIG. 6 is a right side elevational view thereof;
FIG. 7 is a top plan view thereof; and,
FIG. 8 is a bottom plan view thereof.

The broken lines in the drawings depict portions of the electronic cigarette that form no part of the claimed design.

1 Claim, 8 Drawing Sheets



(56)

References Cited

U.S. PATENT DOCUMENTS

D875,306 S	*	2/2020	Pan	D27/167
D885,655 S	*	5/2020	Ding	D27/162
D889,736 S	*	7/2020	Han	D27/162
D900,386 S	*	10/2020	Wang	D27/162
D902,474 S	*	11/2020	Chen	D27/101
D905,329 S	*	12/2020	Wang	D27/162
D912,890 S	*	3/2021	Liu	D27/162

FOREIGN PATENT DOCUMENTS

CN	201930240625.9	*	1/2020
CN	201930435132.0	*	7/2020
CN	202030049655.4	*	7/2020
KR	3020190033508	*	3/2020

* cited by examiner

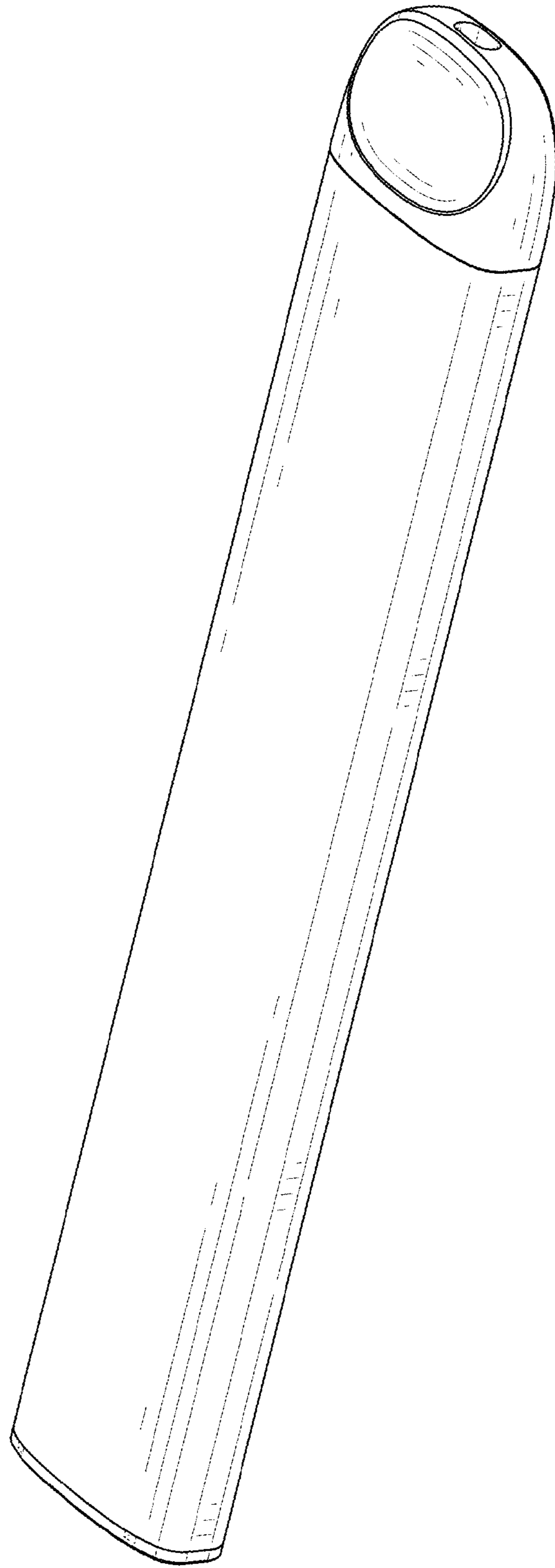


FIG. 1

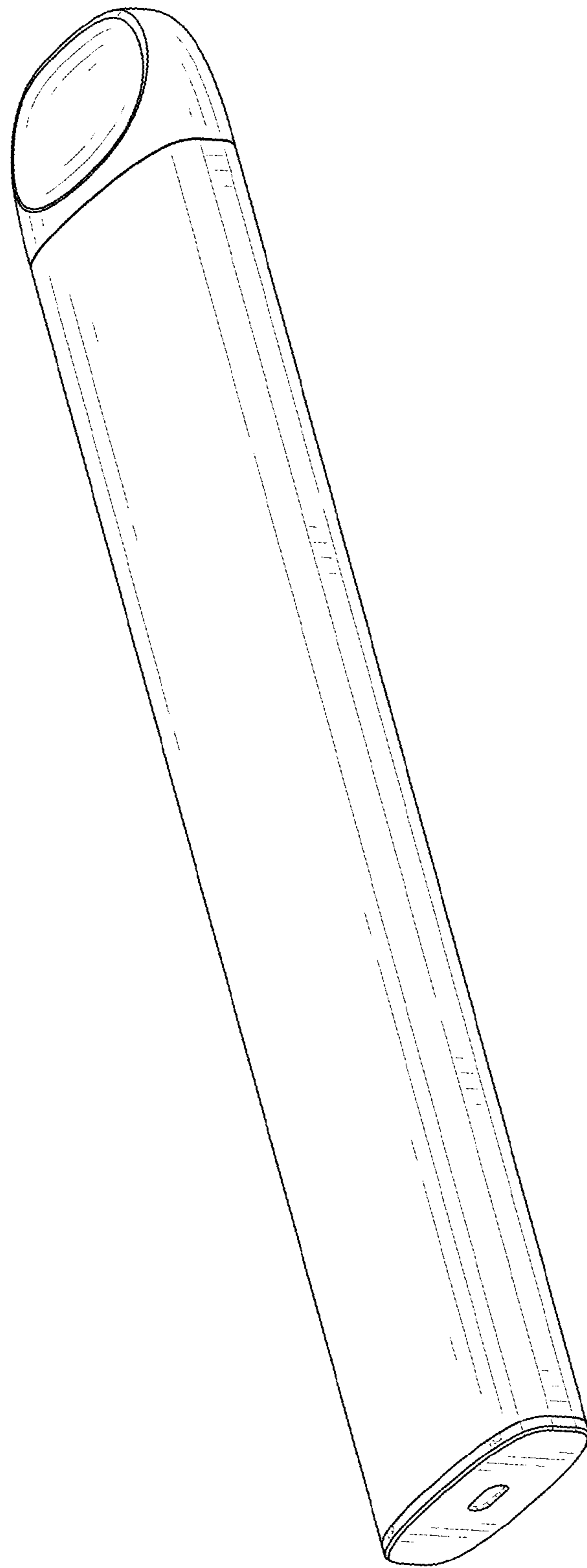


FIG. 2

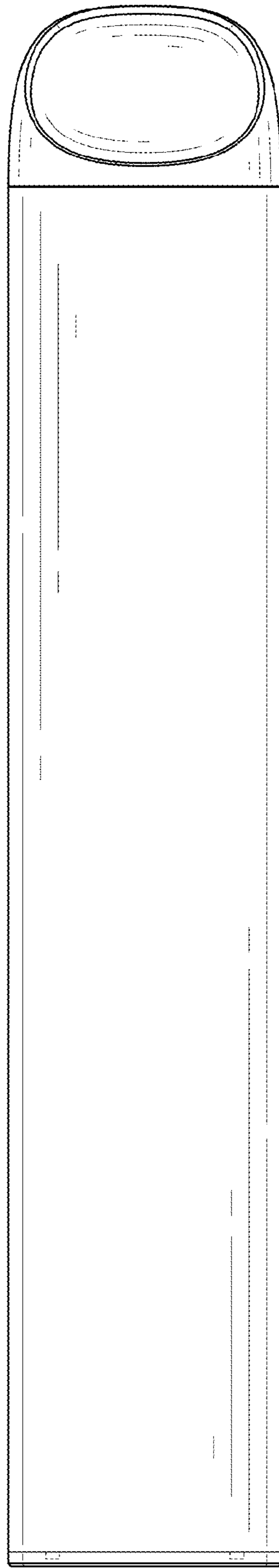


FIG. 3

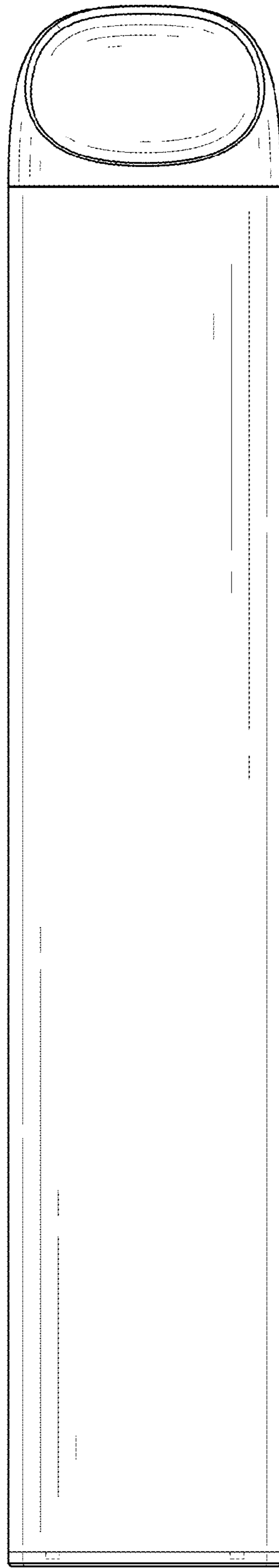


FIG. 4

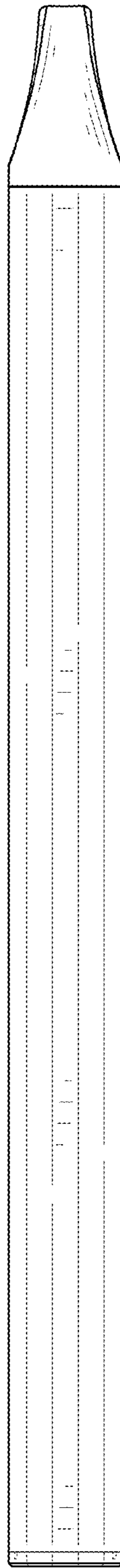


FIG. 5

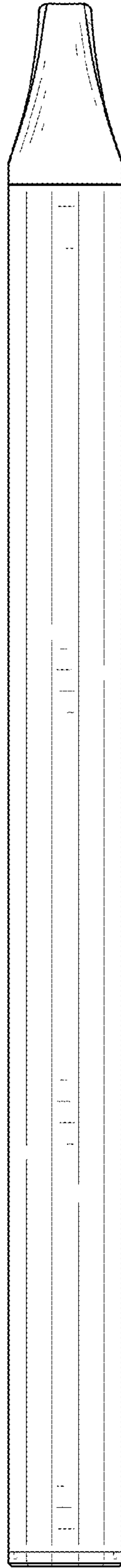


FIG. 6

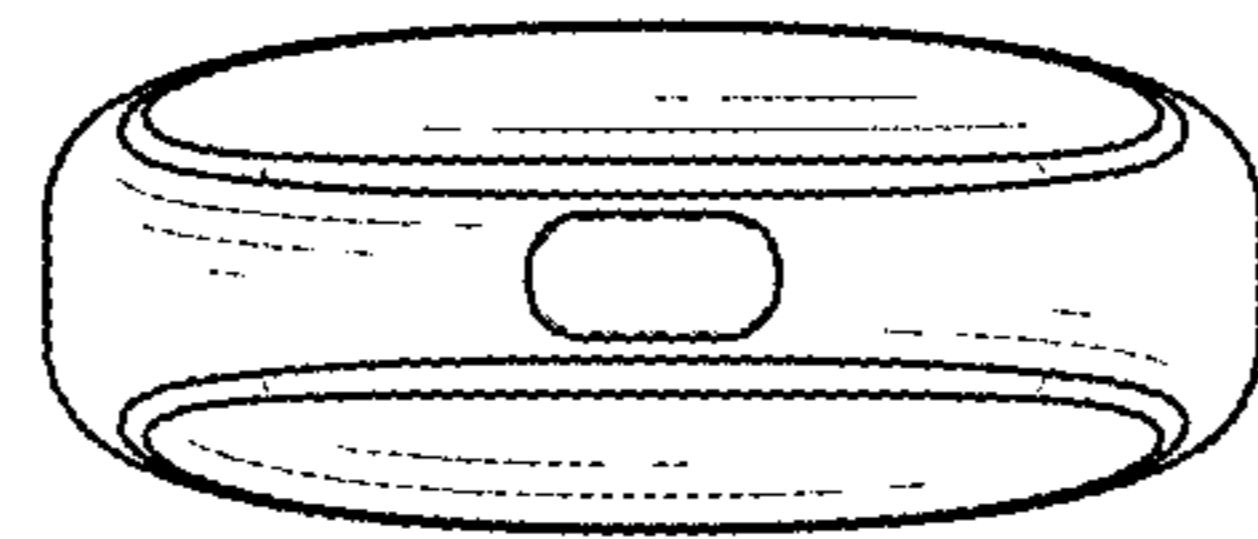


FIG. 7

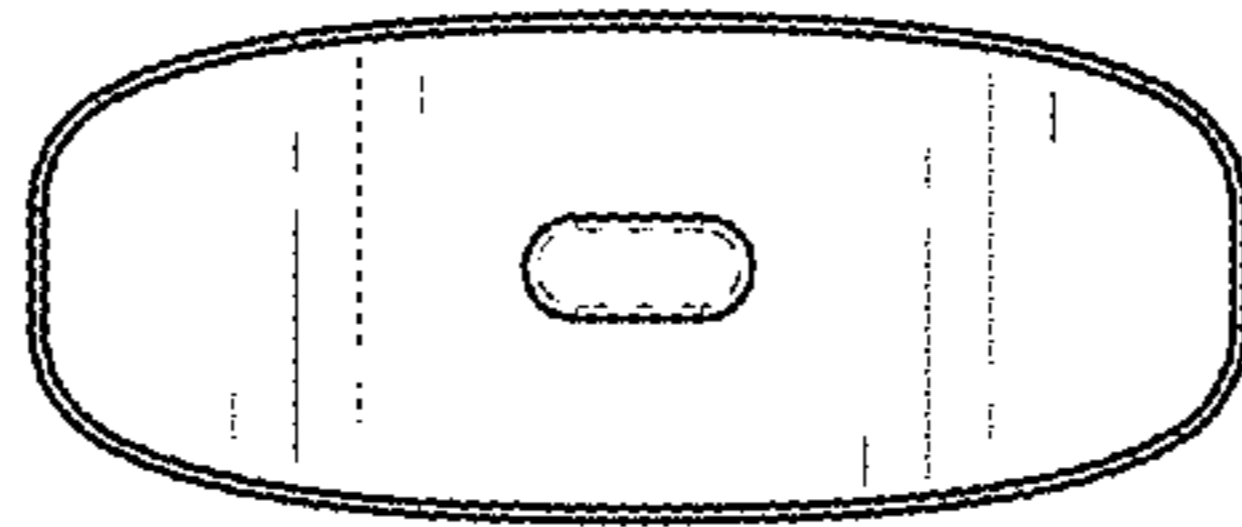


FIG. 8