



US00D928397S

(12) **United States Design Patent** (10) **Patent No.:** **US D928,397 S**
Liu et al. (45) **Date of Patent:** **** Aug. 17, 2021**

(54) **ELECTRONIC ATOMIZING DEVICE**

(71) Applicant: **Shenzhen Smoore Technology Limited**, Shenzhen (CN)

(72) Inventors: **Yu Liu**, Shenzhen (CN); **You Shi**, Shenzhen (CN)

(73) Assignee: **SHENZHEN SMOORE TECHNOLOGY LIMITED**, Shenzhen (CN)

(**) Term: **15 Years**

(21) Appl. No.: **29/729,824**

(22) Filed: **Mar. 30, 2020**

(30) **Foreign Application Priority Data**

Oct. 29, 2019 (CN) 201930591070.2

(51) **LOC (13) Cl.** **27-02**

(52) **U.S. Cl.**
USPC **D27/162**

(58) **Field of Classification Search**
USPC D27/100, 101, 162, 163, 164, 165, 166,
D27/167, 168, 169, 170, 171, 172, 173,
(Continued)

(56) **References Cited**

U.S. PATENT DOCUMENTS

D729,440 S * 5/2015 Liu D27/101
D740,488 S * 10/2015 Leidel D27/167
(Continued)

FOREIGN PATENT DOCUMENTS

CN 201830001078 * 8/2018
CN 201730675352 * 9/2018
(Continued)

OTHER PUBLICATIONS

First Look Vapefly Fantasy Mini Tank. By Seven Report. Dated Apr. 4, 2018. Found online [Mar. 4, 2021]. <https://www.youtube.com/watch?v=BZmtHV9eogk> (Year: 2018).*

(Continued)

Primary Examiner — Marissa J Cash
Assistant Examiner — William B Melliar

(57) **CLAIM**

The ornamental design for an electronic atomizing device, as shown and described.

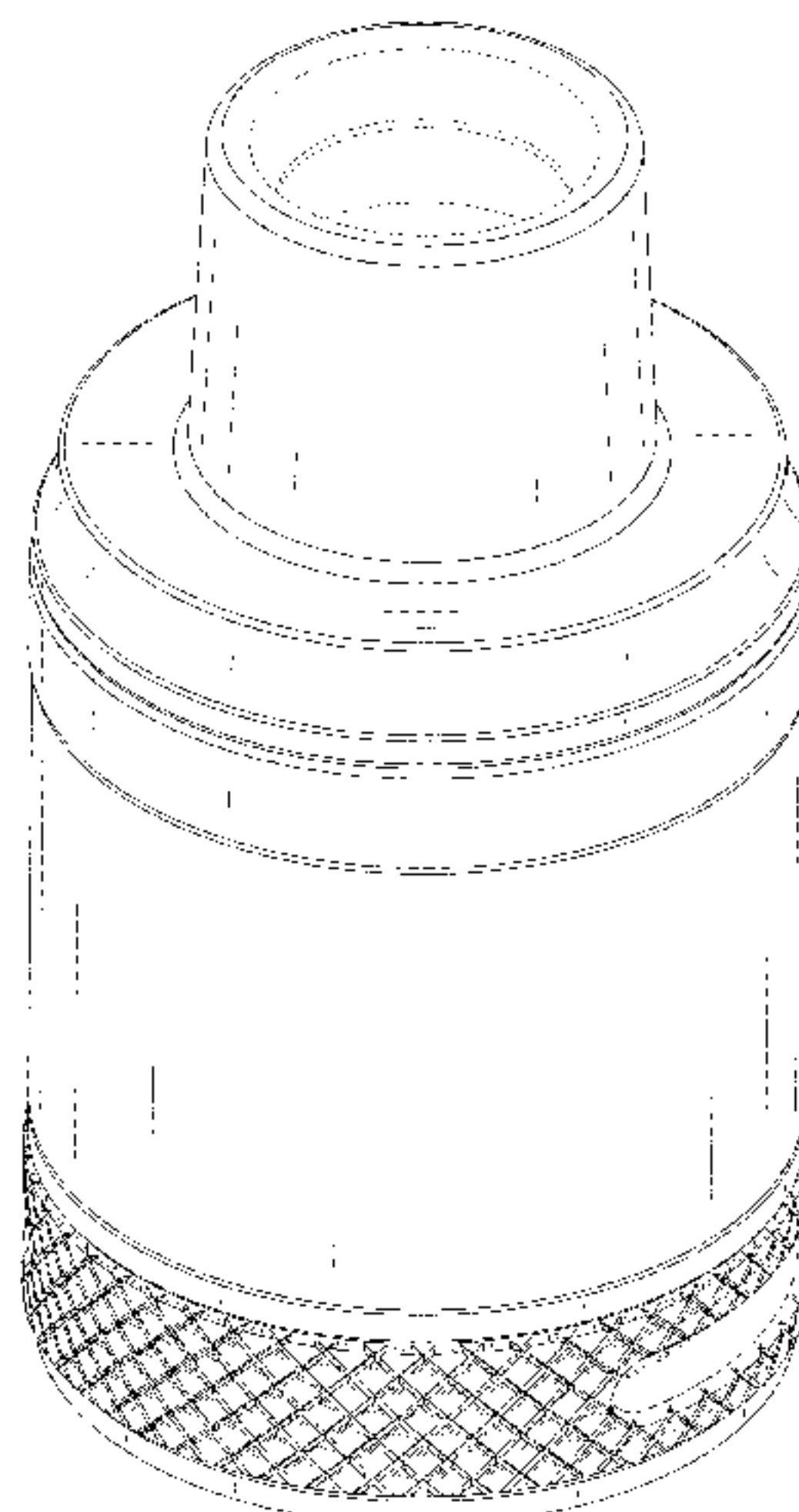
DESCRIPTION

FIG. 1 is a perspective view of an electronic atomizing device according to a first embodiment; FIG. 2 is another perspective view thereof; FIG. 3 is a front elevational view thereof; FIG. 4 is a rear elevational view thereof; FIG. 5 is a left side elevational view thereof; FIG. 6 is a right side elevational view thereof; FIG. 7 is an enlarged top plan view thereof; FIG. 8 is an enlarged bottom plan view thereof; FIG. 9 is an enlarged view of circle 9 in FIG. 3; FIG. 10 is a perspective view of an electronic atomizing device according to a second embodiment; FIG. 11 is another perspective view thereof; FIG. 12 is a front elevational view thereof; FIG. 13 is a rear elevational view thereof; FIG. 14 is a left side elevational view thereof; FIG. 15 is a right side elevational view thereof; FIG. 16 is an enlarged top plan view thereof; and, FIG. 17 is an enlarged bottom plan view thereof. The broken lines in the drawings depict portions of the electronic atomizing device that form no part of the claimed design.

The dot-dash-dot lines in the drawings depict the boundary of the claim and form no part of the claimed design. The additional dot-dash-dot lines shown in FIGS. 3 and 9 surrounding the detail views are for annotative purposes only and form no part thereof.

The oblique shade lines in the figures show transparency.

(Continued)



The grids shown in FIGS. 1-6, 8, 10-15 and 17 are the same as those shown in FIG. 9.

1 Claim, 17 Drawing Sheets

(58) Field of Classification Search

USPC D27/174, 175, 176, 177, 178, 179, 180, D27/181, 182, 183, 184, 185, 186, 187, D27/188, 189, 190, 191, 192, 193; D28/91.1; D23/360, 362; D24/110, D24/110.4, 110.5, 110.6, 113
 CPC A24F 40/10; A24F 40/40; A24F 40/46; A24F 40/42; A24F 40/44; A24F 40/485; A24F 40/50; A24F 40/60; A24F 40/90; A24F 40/53; A24F 40/70; A24F 40/48; A24F 40/51; A24F 40/57; A24F 40/05; A24F 40/65; A24F 40/20; A24F 47/002; A24F 40/30; A24F 7/00; A24F 47/00; A24F 1/32; A24F 40/00; A24F 40/49; A24F 40/85; A24F 40/95; A24F 7/04; A24F 9/16; A24F 47/008; A24F 15/015; A24F 40/465; A24F 42/60; A24F 1/02; A24F 2700/03; A24F 47/006; A24F 13/00; A24F 13/14; A24F 15/01; A24F 15/12; A24F 15/14; A24F 15/18; A24F 42/00; A24F 42/10; A24F 7/02; A24F 47/004; A24F 1/00; A24F 42/20; A61M 11/042; A61M 15/06; A61M 2205/82; A61M 15/002; A61M 11/041; A61M 15/0001; A61M 15/0085; A61M 11/001; A61M 11/04; A61M 11/044; A61M 15/0015; A61M 15/0021; A61M 15/0028; A61M 15/0091; A61M 15/0095; A61M 16/0808; A61M 2205/0211; A61M 2205/0238; A61M 2205/0272; A61M 2205/123; A61M 2205/3334; A61M

2205/58; A61M 2205/7536; A61M 2205/3653; A61M 2205/18; A61M 2205/3317; A61M 2205/50; A61M 2205/52; A61M 2205/3368; A24B 15/167

See application file for complete search history.

(56)

References Cited

U.S. PATENT DOCUMENTS

D771,307	S	*	11/2016	Wu	D27/101
D795,495	S	*	8/2017	Li	D27/100
D811,652	S	*	2/2018	Liu	D27/167
D836,243	S	*	12/2018	Liu	D27/167
D861,978	S	*	10/2019	Lai	D27/167
D869,752	S	*	12/2019	Dong	D27/162
D881,456	S	*	4/2020	Chen	D27/162
D883,567	S	*	5/2020	Liu	D27/162
D900,387	S	*	10/2020	Liu	D27/162
2017/0049153	A1	*	2/2017	Guo	A61M 15/06
2017/0112193	A1	*	4/2017	Chen	A24F 47/008
2019/0134320	A1	*	5/2019	Fornarelli	H05B 3/44
2019/0357594	A1	*	11/2019	Liu	A24F 40/60
2020/0113236	A1	*	4/2020	Qiu	A24F 40/49

FOREIGN PATENT DOCUMENTS

CN	201830284785	*	10/2018
CN	201830428913	*	12/2018

OTHER PUBLICATIONS

Tiny Little Clear Tank, Gas Mods Kree RTA. By Jai Haze. Dated Jan. 29, 2020. Found online [Mar. 4, 2021]. <https://www.youtube.com/watch?v=PTwM7BBpaIA> (Year: 2020).*

HellVape Destiny RTA. By Mike Vapes. Dated Feb. 4, 2020. Found online [Mar. 4, 2021]. <https://www.youtube.com/watch?v=3icAKLI8rNs> (Year: 2020).*

SMOKTFV8 Baby Beast. By VaporAuthority.com. Dated Dec. 23, 2016. Found online [Mar. 4, 2021]. <https://www.youtube.com/watch?v=jMHaQlSk-fk> (Year: 2016).*

* cited by examiner

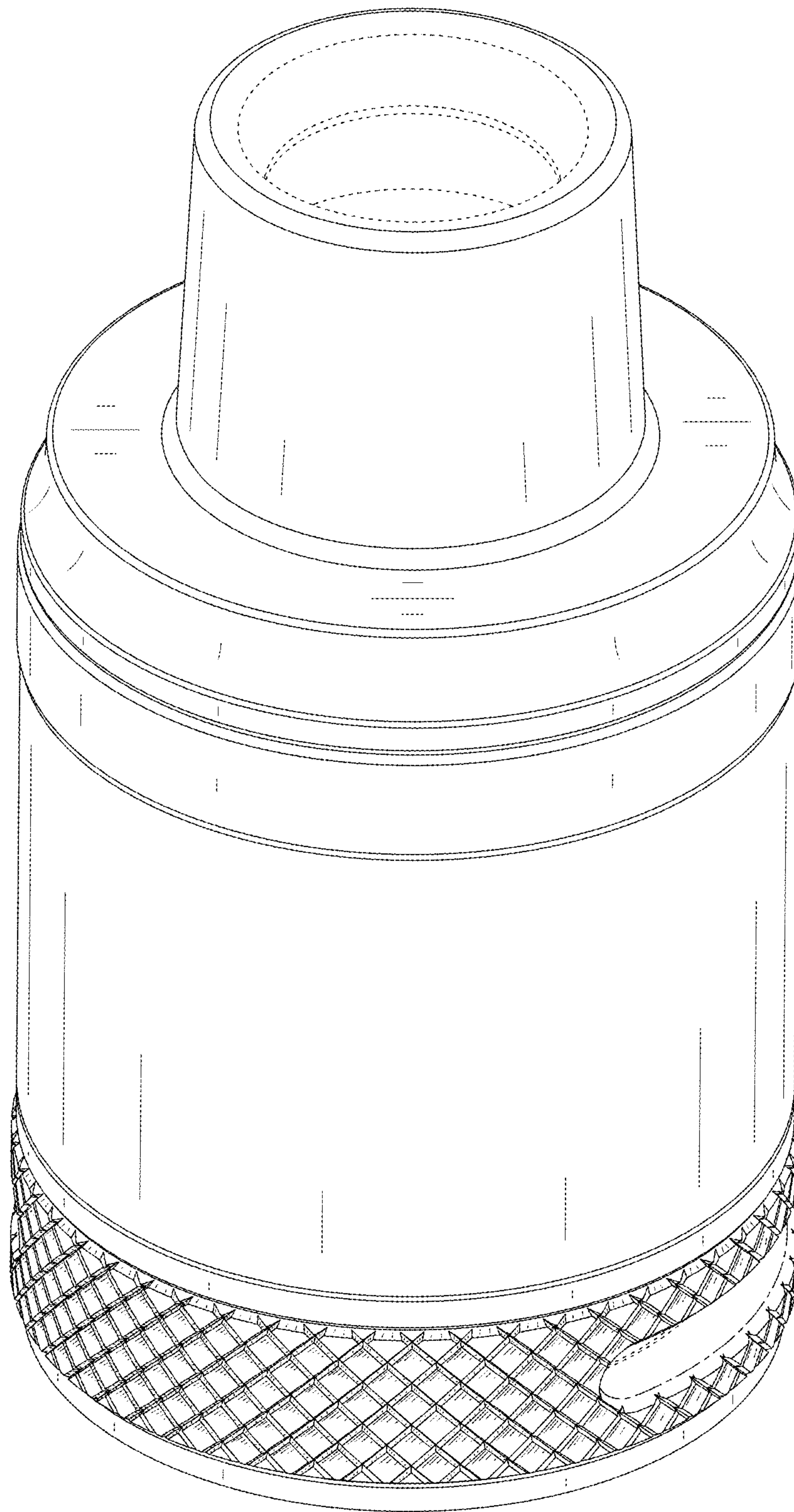


FIG. 1

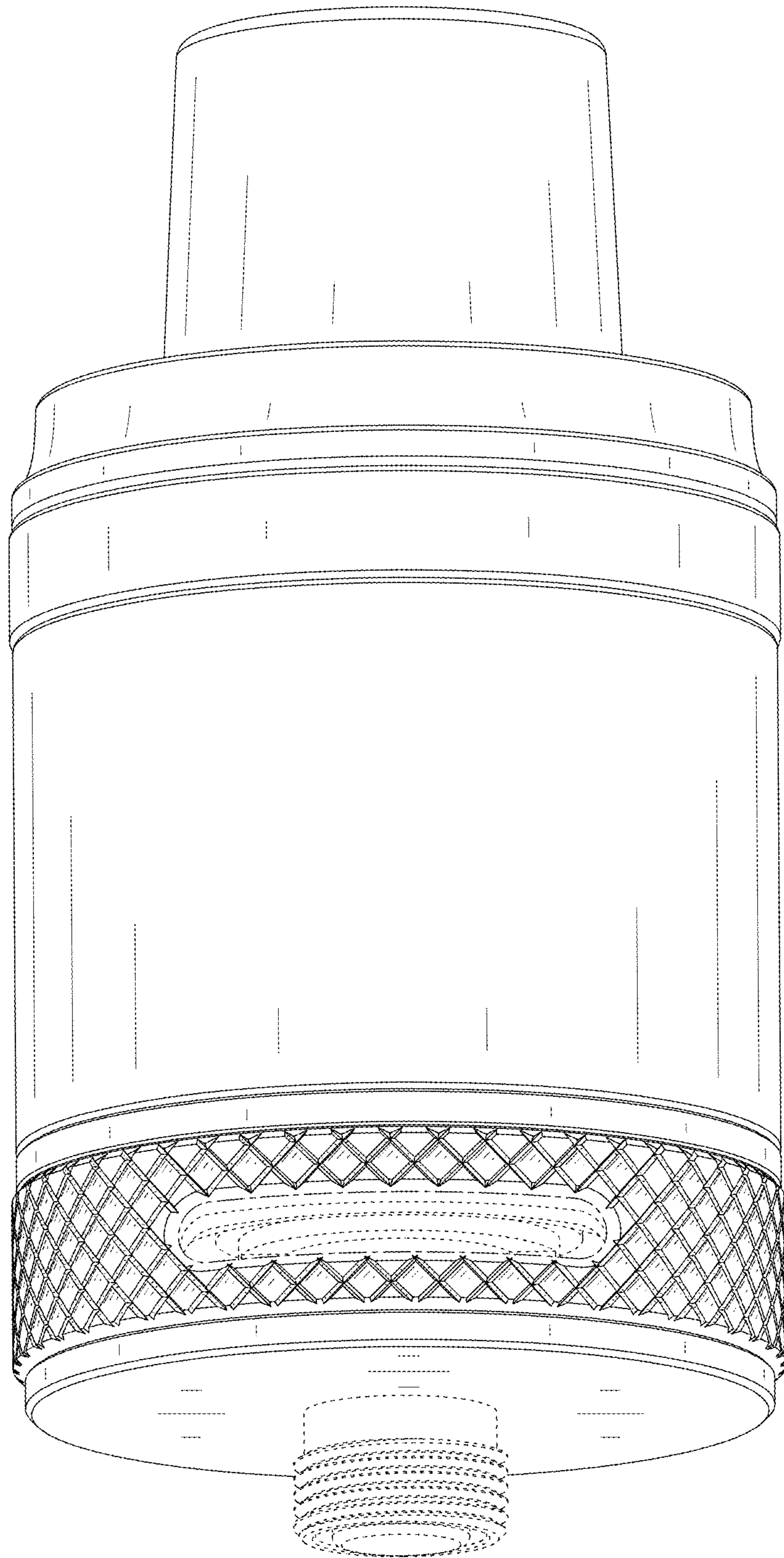


FIG. 2

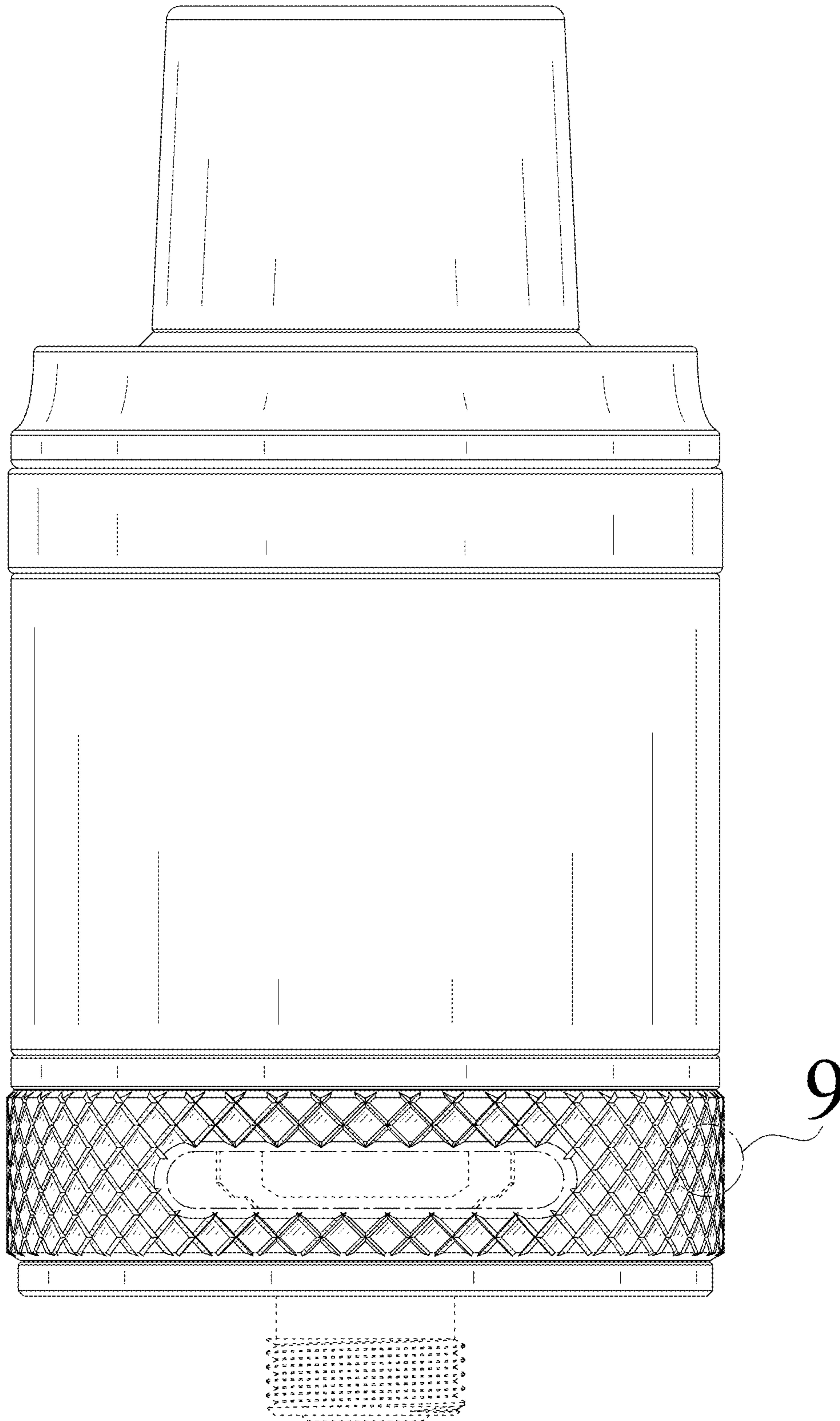


FIG. 3

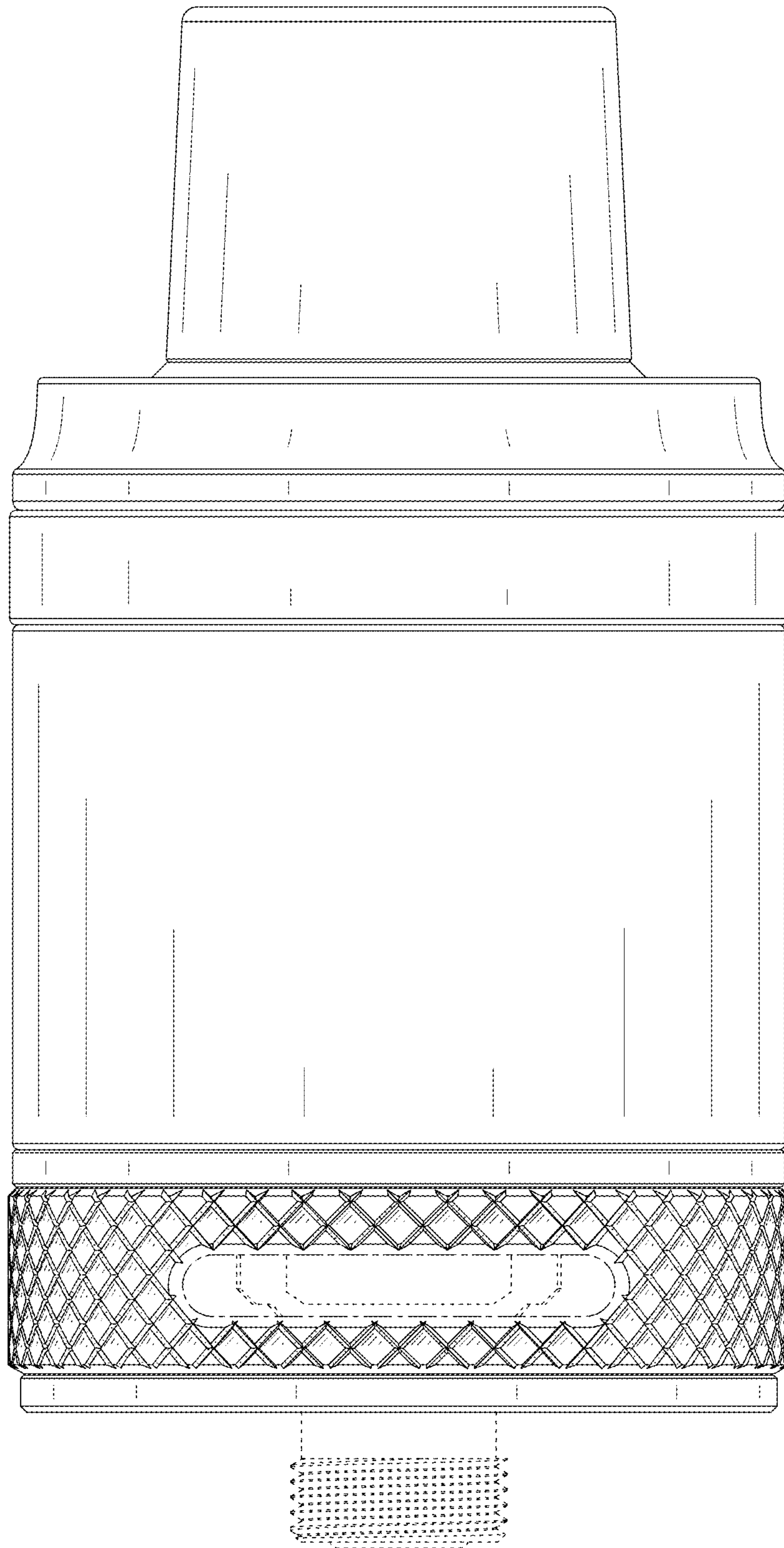


FIG. 4

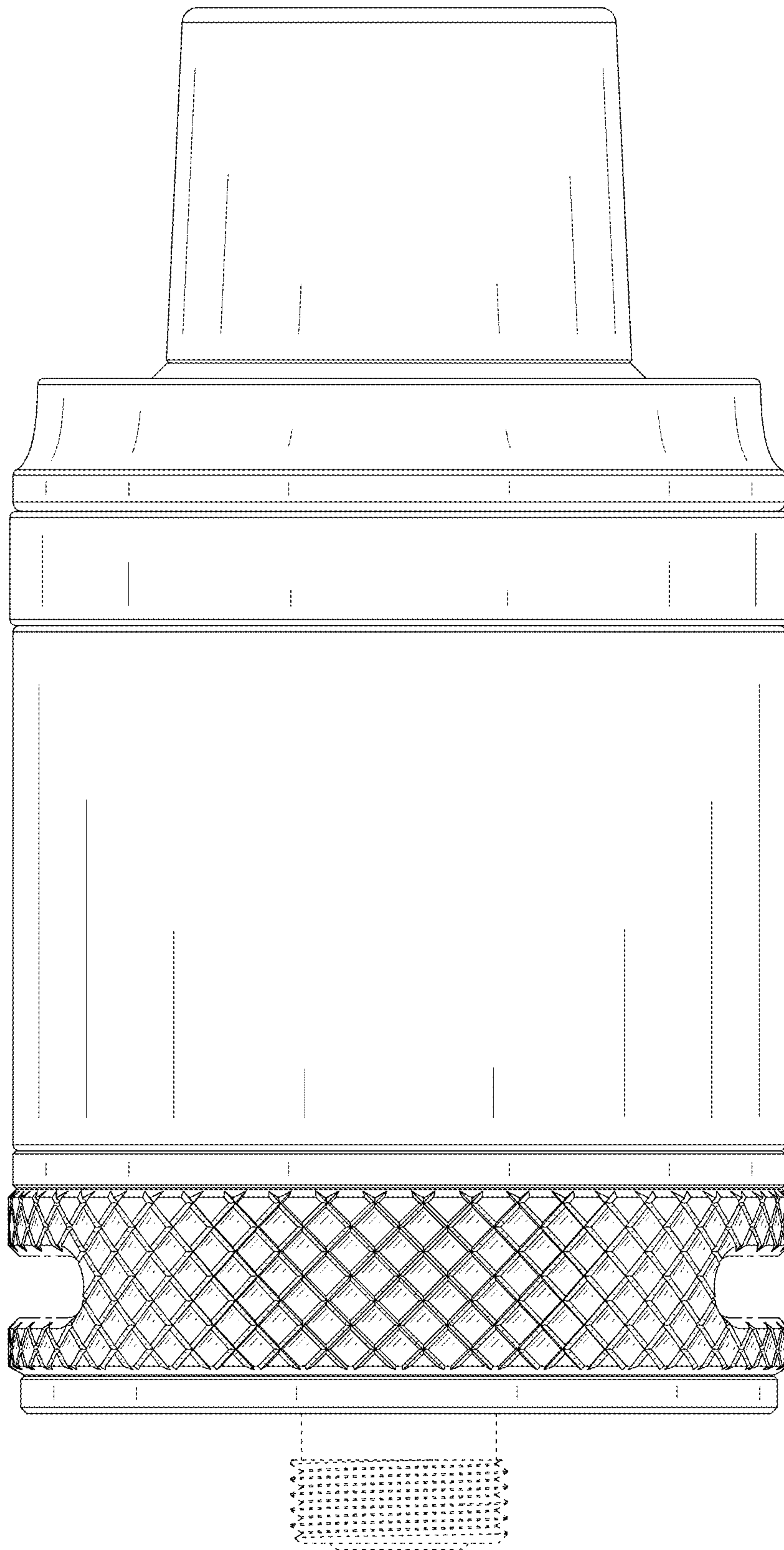


FIG. 5

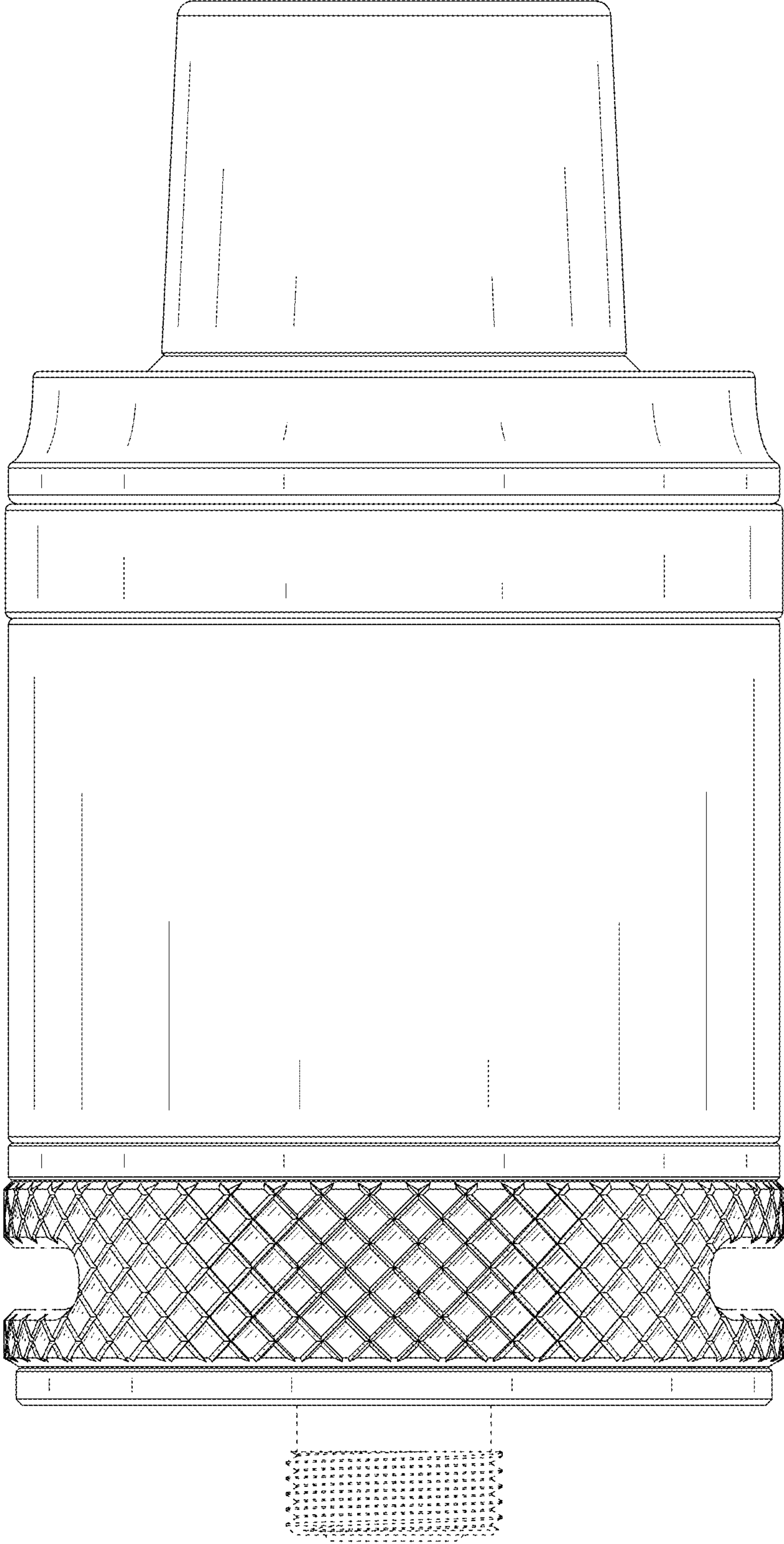


FIG. 6

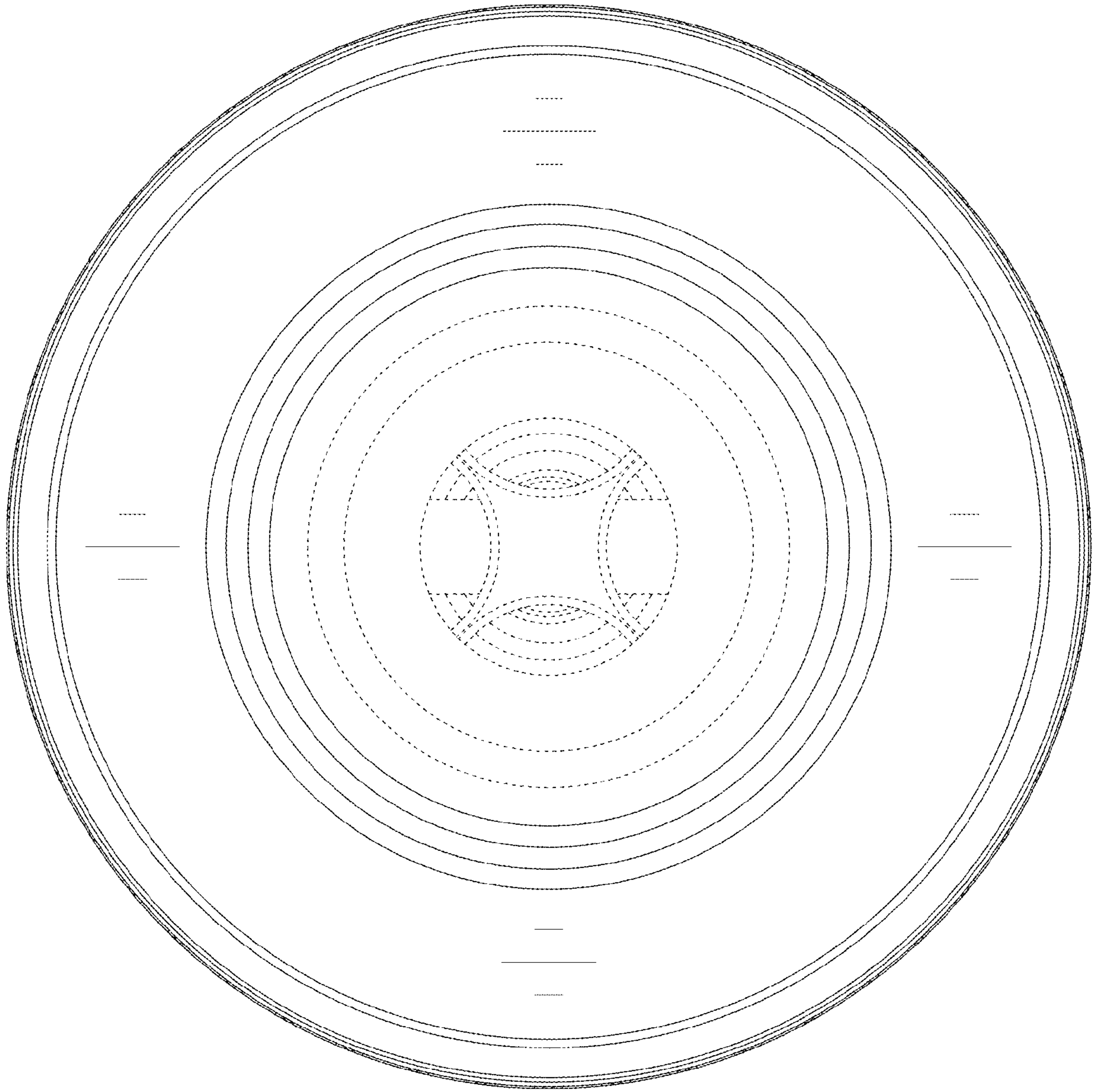


FIG. 7



FIG. 8

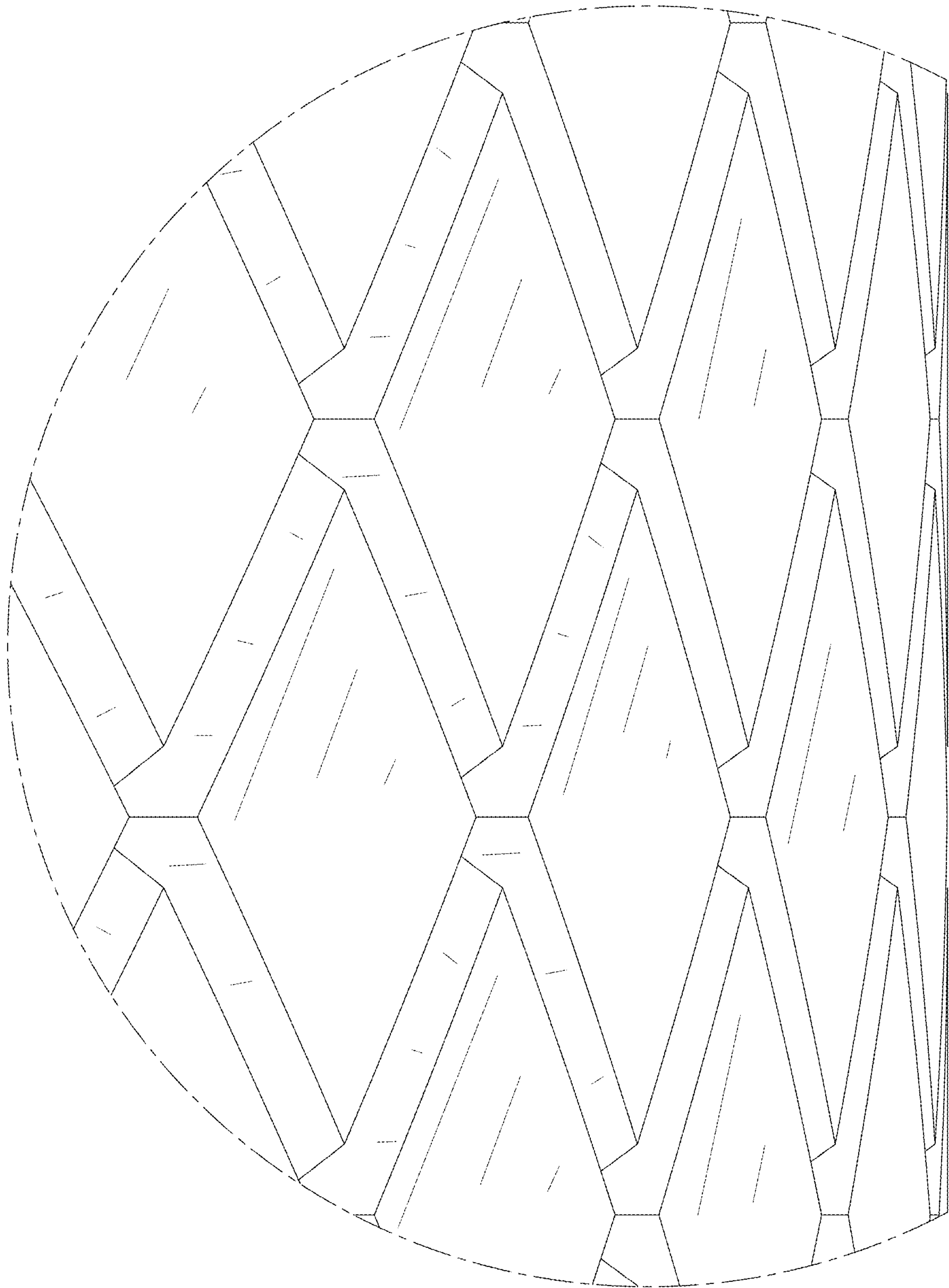


FIG. 9

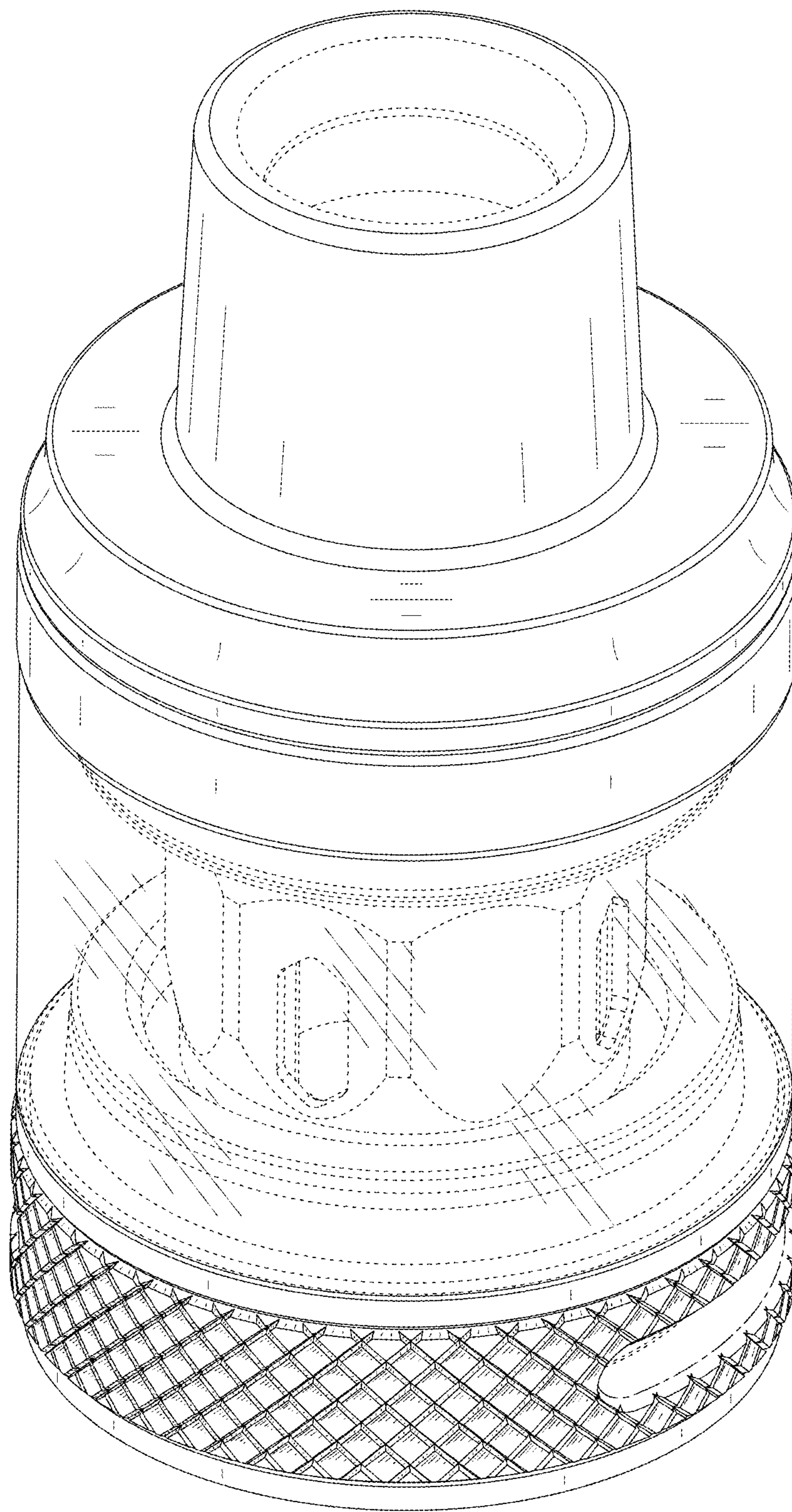


FIG. 10

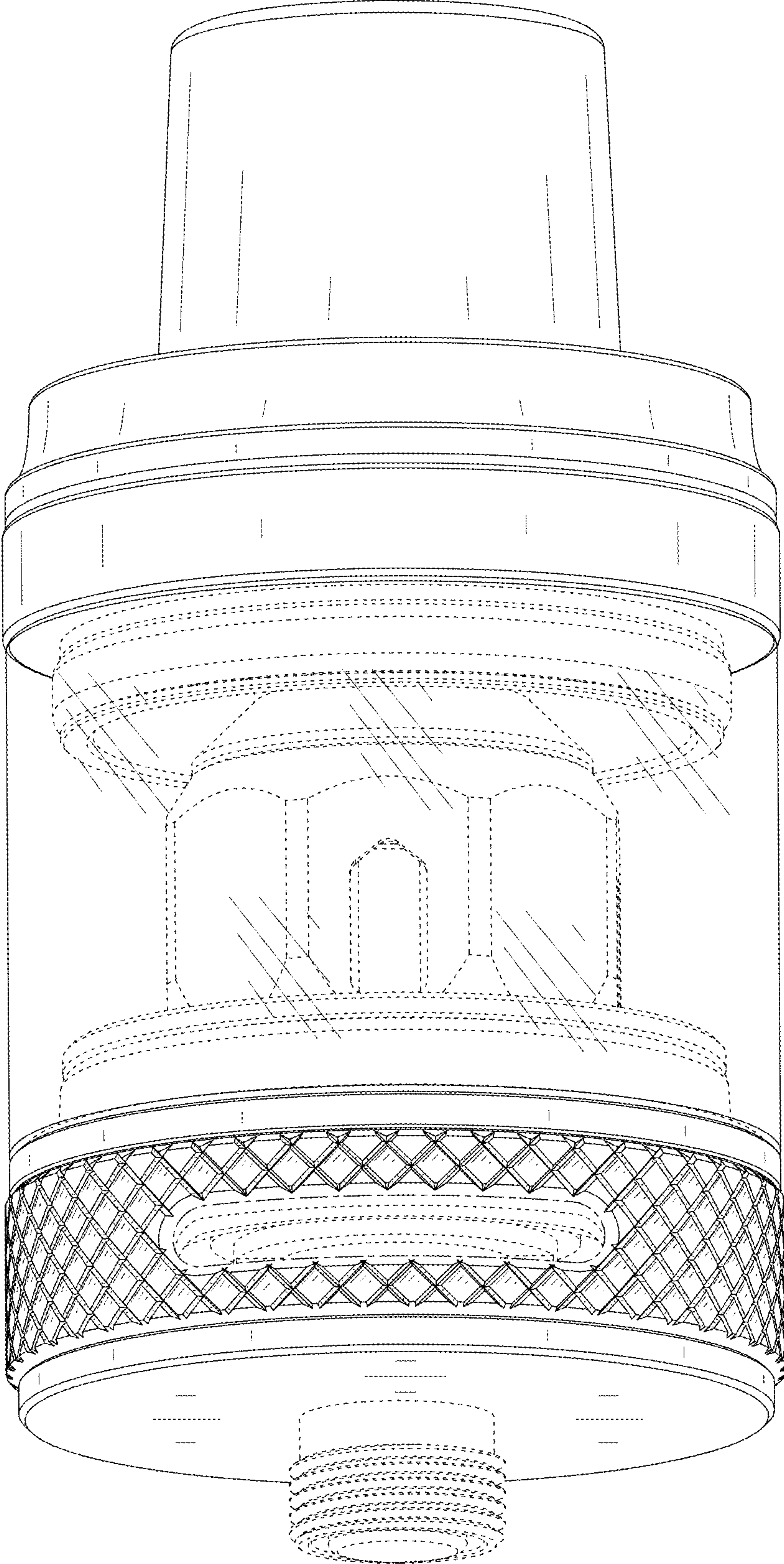


FIG. 11

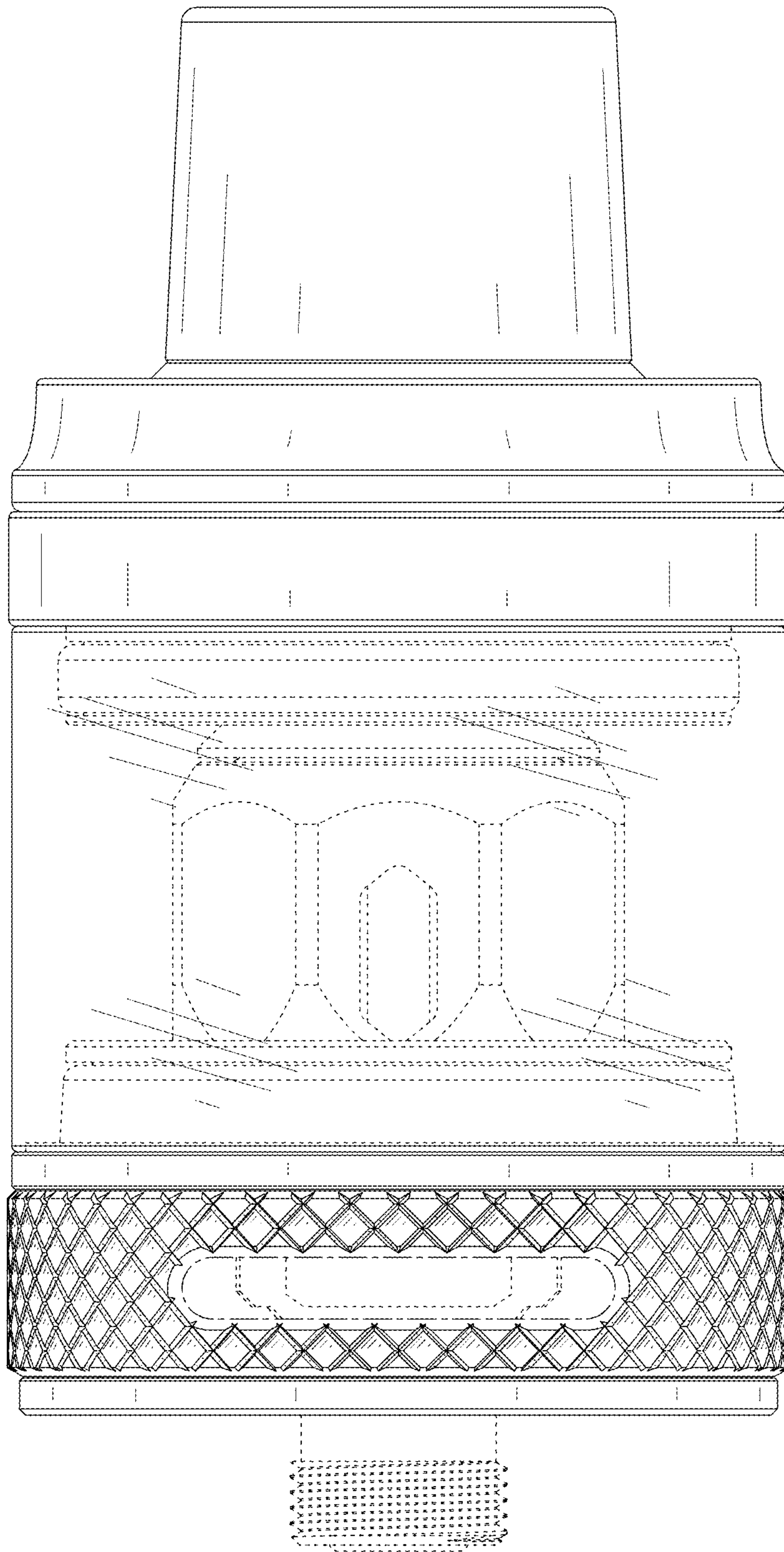


FIG. 12

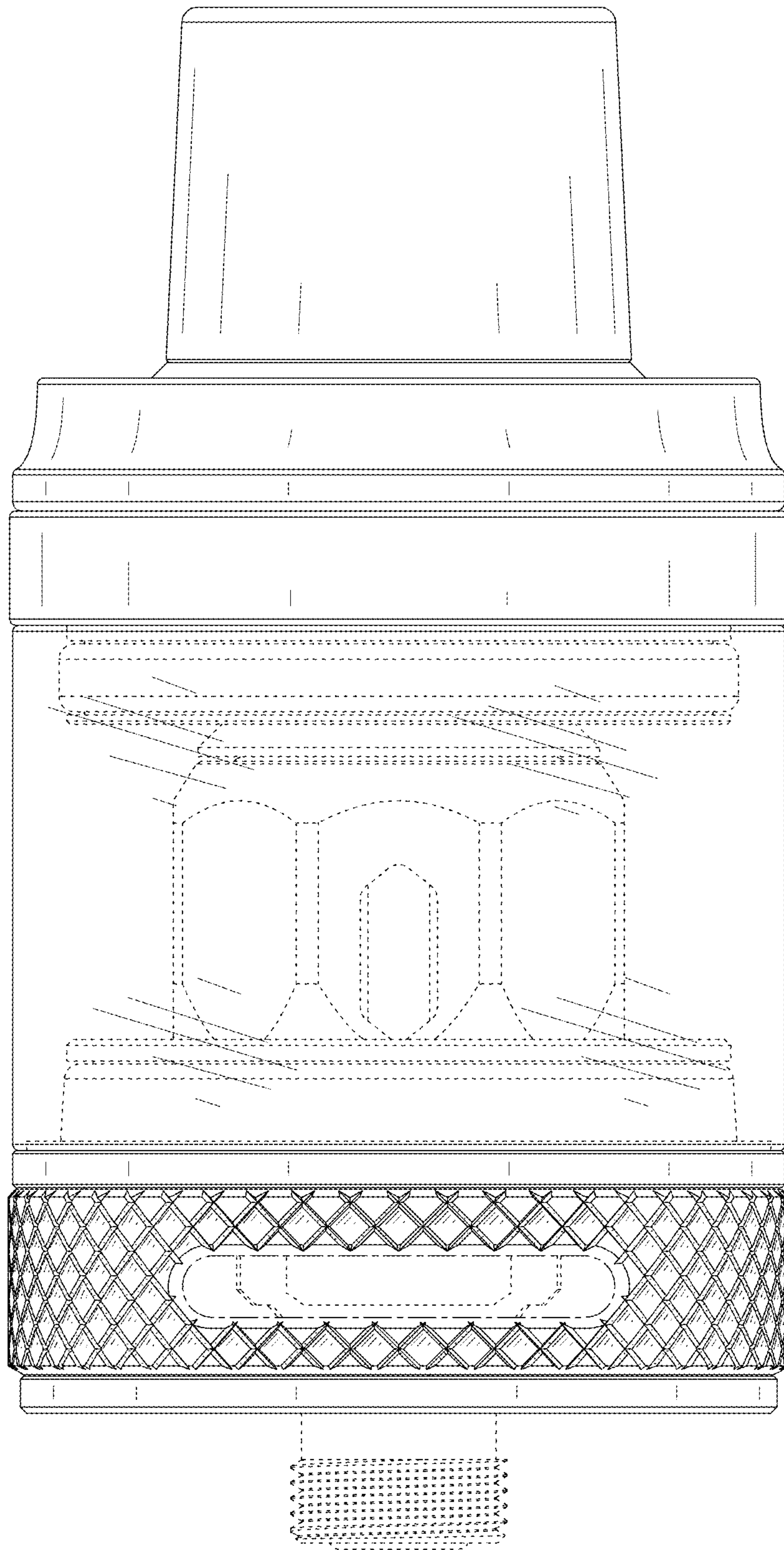


FIG. 13

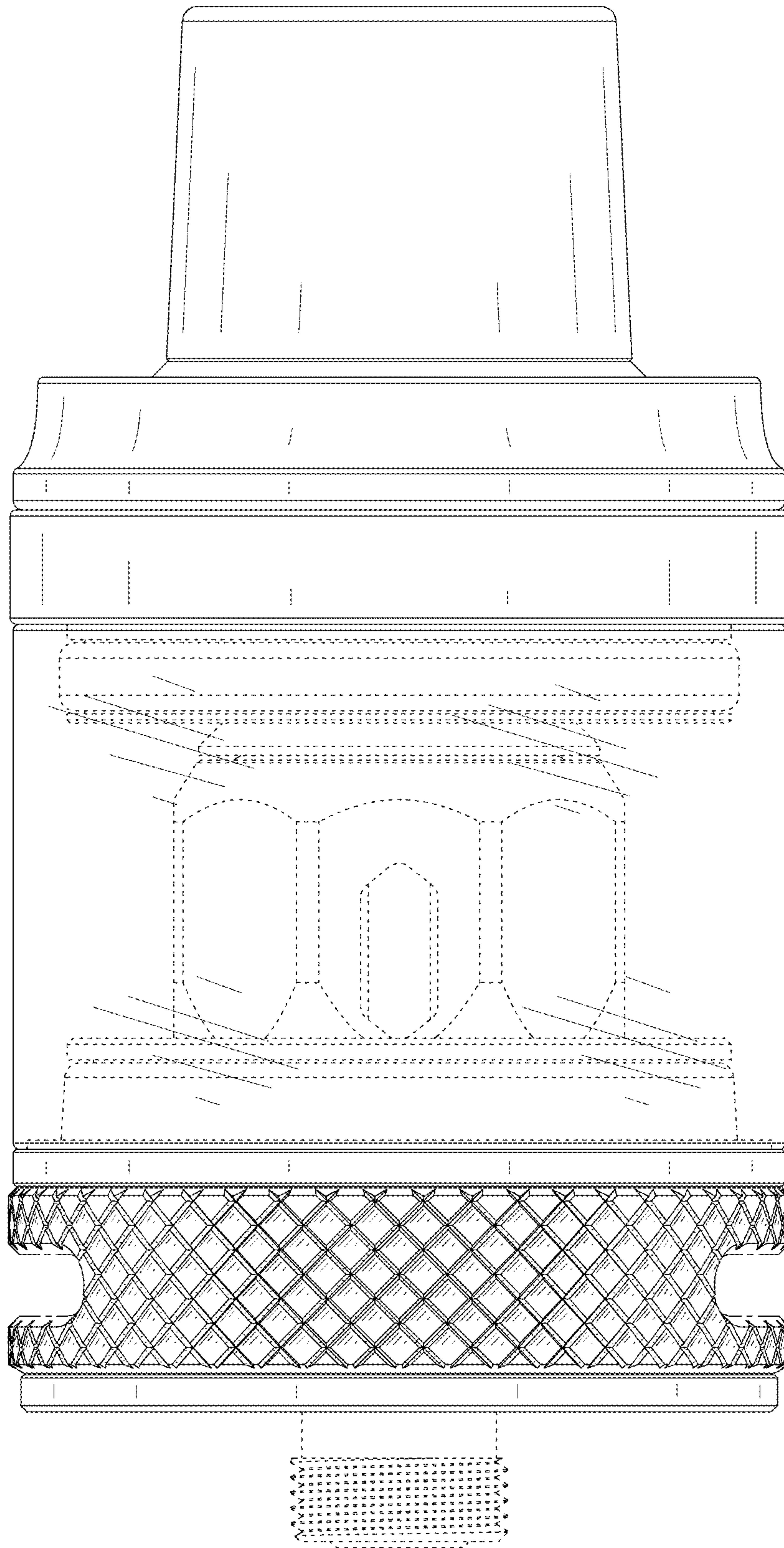


FIG. 14

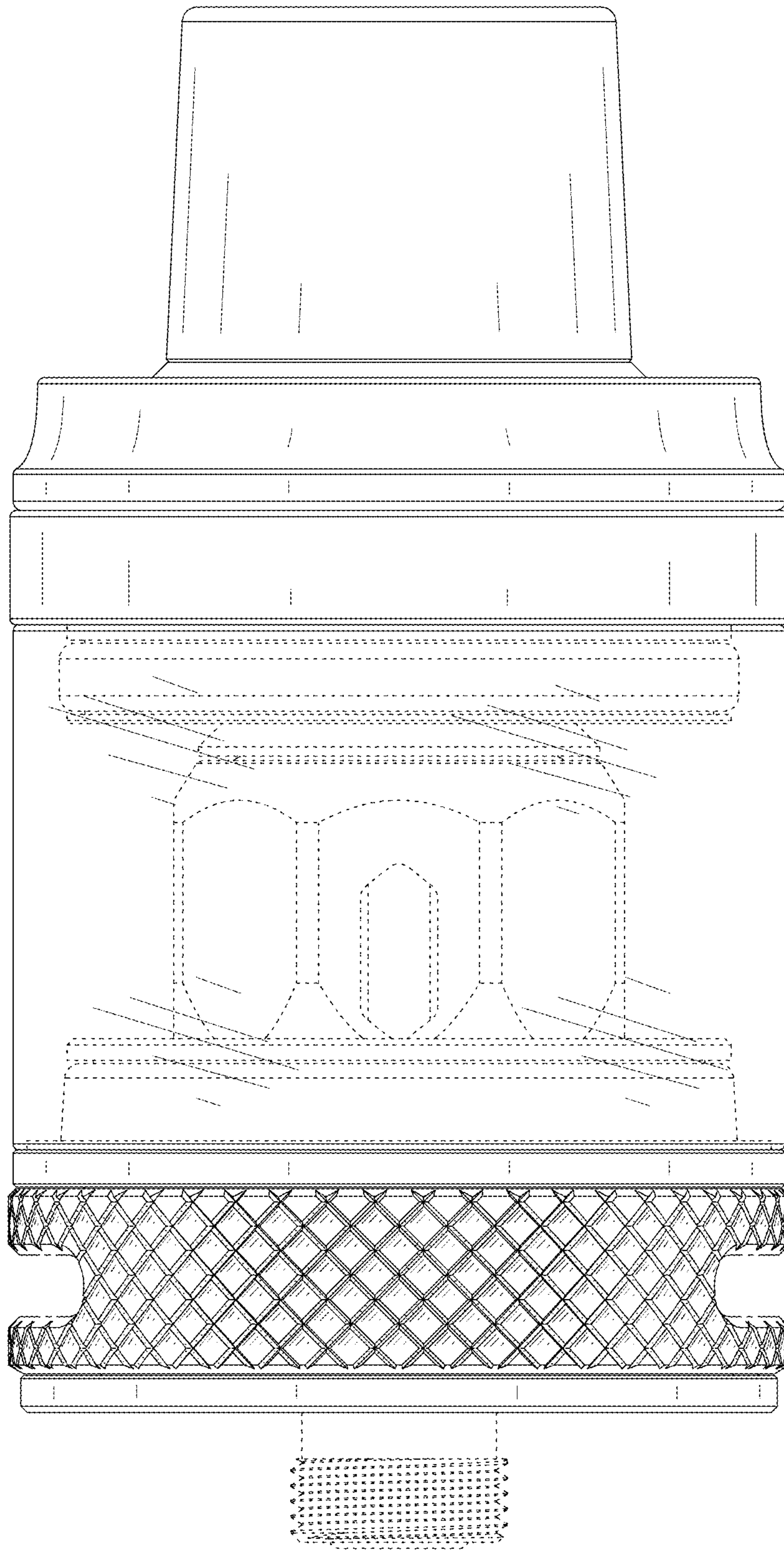


FIG. 15

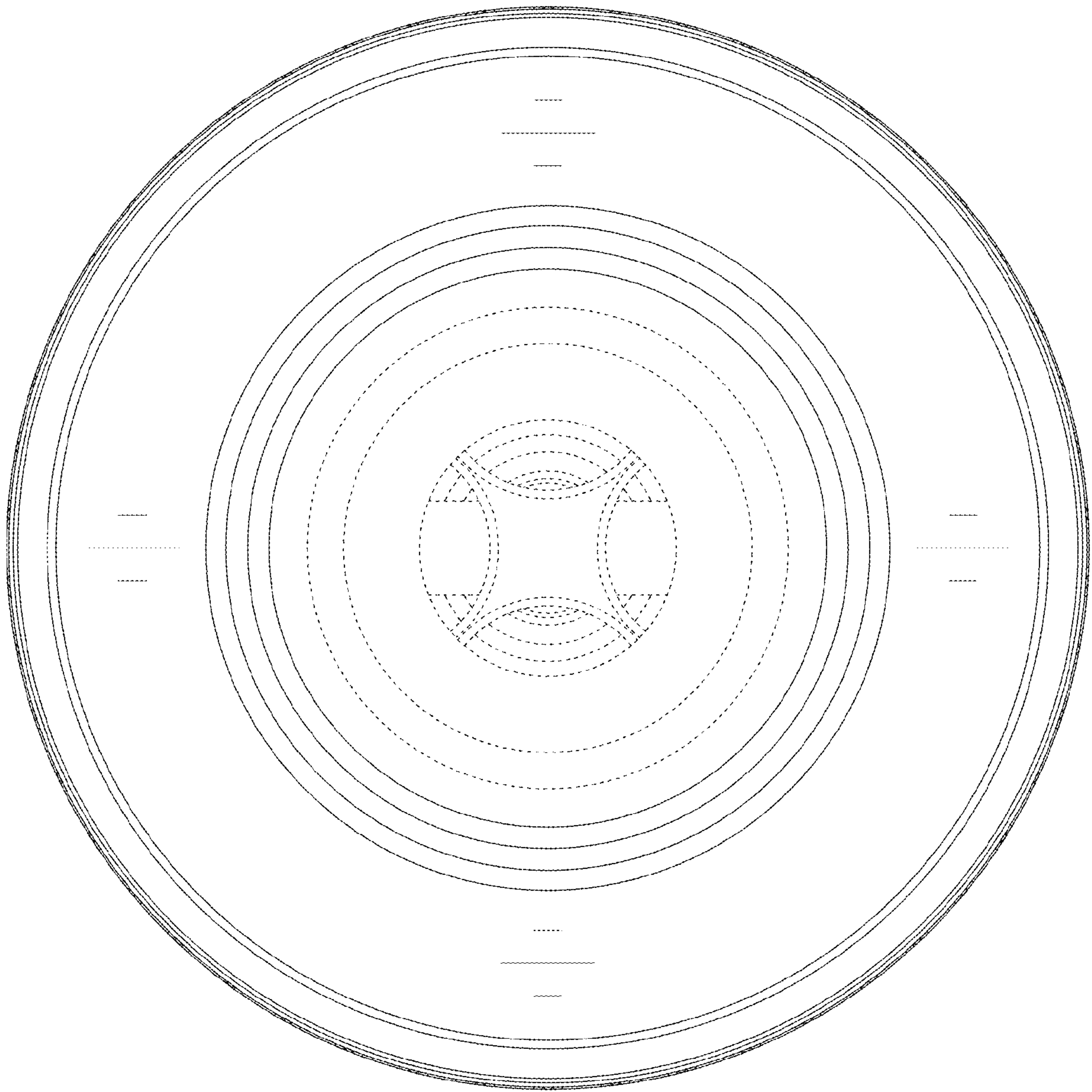


FIG. 16



FIG. 17