



US00D928395S

(12) **United States Design Patent** (10) **Patent No.:** **US D928,395 S**
Li (45) **Date of Patent:** **** Aug. 17, 2021**

(54) **ELECTRONIC CIGARETTE**

(71) Applicant: **SHENZHEN SMOORE TECHNOLOGY LIMITED**, Guangdong (CN)

(72) Inventor: **Kui Li**, Guangdong (CN)

(73) Assignee: **SHENZHEN SMOORE TECHNOLOGY LIMITED**, Shenzhen (CN)

(**) Term: **15 Years**

(21) Appl. No.: **29/709,630**

(22) Filed: **Oct. 16, 2019**

(30) **Foreign Application Priority Data**

May 31, 2019 (CN) 201930277064.X

(51) **LOC (13) Cl.** **27-02**

(52) **U.S. Cl.**
USPC **D27/162**

(58) **Field of Classification Search**
USPC D27/100, 101, 162, 163, 164, 165, 166, D27/167, 168, 169, 170, 171, 172, 173,
(Continued)

(56) **References Cited**

U.S. PATENT DOCUMENTS

D818,636 S * 5/2018 Qiu D27/101
D819,263 S * 5/2018 Zhu D27/101
(Continued)

FOREIGN PATENT DOCUMENTS

CA 187641 * 8/2020
CN 201730077750 * 9/2019
(Continued)

OTHER PUBLICATIONS

Ccell Bellos and Luster. By Prince OfPuffs. Dated Sep. 17, 2019. Found online [Jan. 19, 2021]. <https://www.youtube.com/watch?v=c0eWfTNjIVE> (Year: 2019).*

Primary Examiner — Marissa J Cash
Assistant Examiner — William B Melliar
(74) *Attorney, Agent, or Firm* — Ladas & Parry LLP

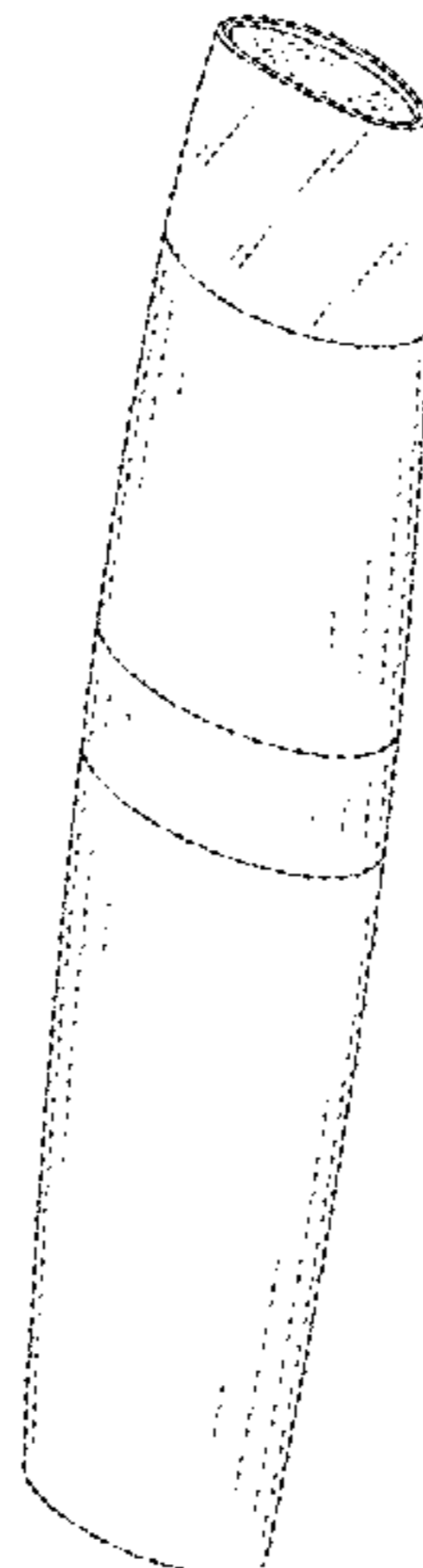
(57) **CLAIM**

The ornamental design for an electronic cigarette, as shown and described.

DESCRIPTION

FIG. 1 is a front elevational view of an electronic cigarette shown in FIG. 17 with one component removed from the electronic cigarette for clarity of disclosure.
FIG. 2 is a rear elevational view thereof;
FIG. 3 is a left side elevational view thereof;
FIG. 4 is a right side elevational view thereof;
FIG. 5 is a top plan view thereof;
FIG. 6 is a bottom plan view thereof;
FIG. 7 is a front, right, and top perspective view thereof;
FIG. 8 is a rear, left, and bottom perspective view thereof;
FIG. 9 is a front elevational view of an electronic cigarette shown in FIG. 17 with the second component removed from the electronic cigarette for clarity of disclosure.
FIG. 10 is a rear elevational view thereof;
FIG. 11 is a left side elevational view thereof;
FIG. 12 is a right side elevational view thereof;
FIG. 13 is a top plan view thereof;
FIG. 14 is a bottom plan view thereof;
FIG. 15 is a front, right, and top perspective view thereof;
FIG. 16 is a rear, left, and bottom perspective view thereof.
FIG. 17 is a front elevational view of the electronic cigarette shown in an assembled configuration of use where the two components shown in FIG. 1 and 7 are combined;
FIG. 18 is a rear elevational view thereof;
FIG. 19 is a left side elevational view thereof;
FIG. 20 is a right side elevational view thereof;
FIG. 21 is a top plan view thereof;
FIG. 22 is a bottom plan view thereof;
FIG. 23 is a front, right, and top perspective view thereof;
and,
FIG. 24 is a rear, left, and bottom perspective view thereof.

(Continued)



The broken lines in the figures are included for the purpose of illustrating portions of the article which form no part of the claimed design.

1 Claim, 24 Drawing Sheets

(58) **Field of Classification Search**

USPC D27/174, 175, 176, 177, 178, 179, 180,
 D27/181, 182, 183, 184, 185, 186, 187,
 D27/188, 189, 190, 191, 192, 193;
 D24/110, 110.4, 110.5, 110.6, 113;
 D28/91.1; D23/360, 362
 CPC A24F 47/008; A24F 40/10; A24F 40/40;
 A24F 40/46; A24F 40/42; A24F 40/44;
 A24F 40/50; A24F 40/90; A24F 47/00;
 A24F 40/60; A24F 40/70; A24F 40/48;
 A24F 40/485; A24F 40/53; A24F 40/51;
 A24F 47/002; A24F 40/57; A24F 40/65;
 A24F 40/20; A24F 7/00; A24F 40/30;
 A24F 47/004; A24F 40/05; A24F 15/00;
 A24F 1/32; A24F 40/00; A24F 40/49;
 A24F 40/85; A24F 42/60; A24F 7/02;
 A24F 7/04; A24F 9/16; A24F 13/06;
 A24F 13/04; A24F 40/465; A24F 40/95;
 A24F 13/00; A24F 13/14; A24F 15/01;
 A24F 15/015; A24F 15/12; A24F 15/14;
 A24F 15/18; A24F 1/02; A24F 2700/03;
 A24F 42/00; A24F 42/20; A24F 1/00;
 A61M 11/042; A61M 15/06; A61M
 2205/8206; A61M 2205/3653; A61M
 11/005; A61M 2016/0024; A61M
 2016/0027; A61M 2205/587; A61M
 11/044; A61M 15/0085; A61M 16/0003;
 A61M 2205/0211; A61M 2205/3368;
 A61M 2205/8256; A61M 11/003; A61M
 15/002; A61M 2016/0021; A61M 11/001;
 A61M 11/04; A61M 15/0021; A61M

15/0025; A61M 15/008; A61M
 2016/0018; A61M 2016/0033; A61M
 2016/0039; A61M 2021/0016; A61M
 21/00; A61M 2205/3331; A61M
 2205/3334; A61M 2205/3379; A61M
 2205/52; A61M 2205/58; A61M
 2205/583; A61M 2205/6018; A61M
 2205/6054; A61M 2205/75; A61M
 2205/8268; A61M 2206/11; A61M
 2206/20; A61M 2209/02; A61M
 2209/045; A61M 11/041; A61M 15/0001;
 A61M 15/0015; A61M 15/0028; A61M
 15/0091; A61M 15/0095; A61M 16/0808;
 A61M 2205/0238; A61M 2205/0272;
 A61M 2205/123; A61M 2205/7536;
 A61M 2205/18; A61M 2205/3317; A61M
 2205/3386; A61M 2205/50

See application file for complete search history.

(56)

References Cited

U.S. PATENT DOCUMENTS

D822,271	S	*	7/2018	Eksouzian	D27/101
D825,834	S	*	8/2018	Chen	D27/101
D849,996	S	*	5/2019	Duque	D27/194
D850,712	S	*	6/2019	Fornarelli	D27/162
D870,372	S	*	12/2019	Zhu	D27/167
D875,302	S	*	2/2020	Pan	D27/162
D875,306	S	*	2/2020	Pan	D27/167
D881,460	S	*	4/2020	Han	D27/162
D889,736	S	*	7/2020	Han	D27/162
D901,067	S	*	11/2020	Powell	D27/101
D902,480	S	*	11/2020	Chen	D27/194

FOREIGN PATENT DOCUMENTS

CN	201930063947.0	*	11/2019
CN	201930555099.5	*	4/2020

* cited by examiner

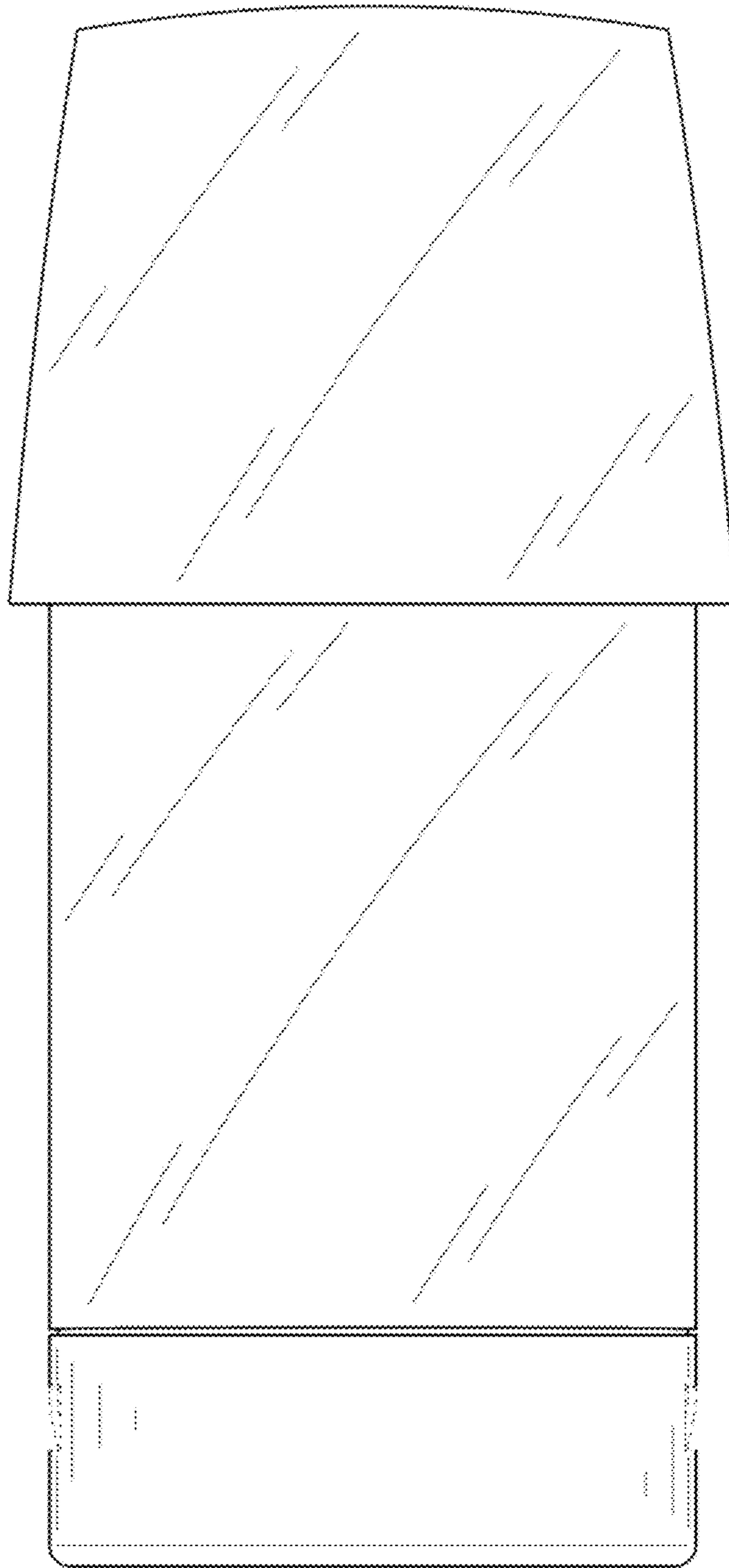


FIG. 1

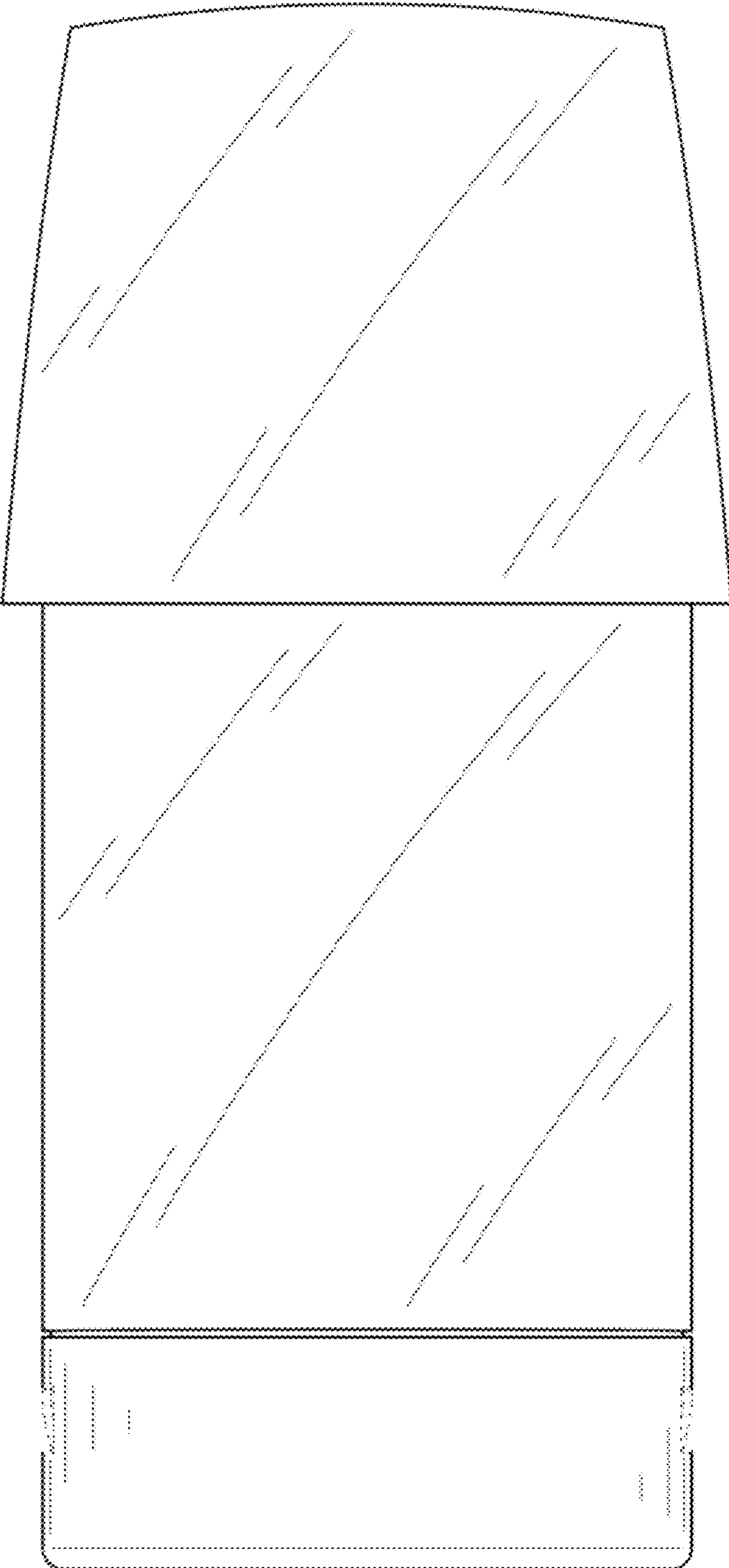


FIG. 2

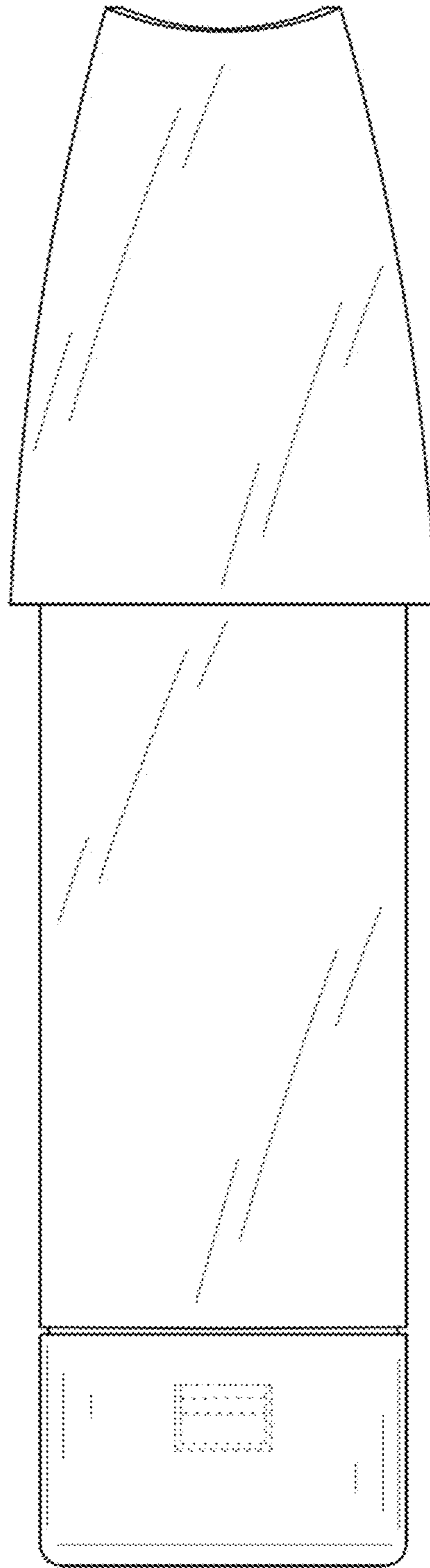


FIG. 3

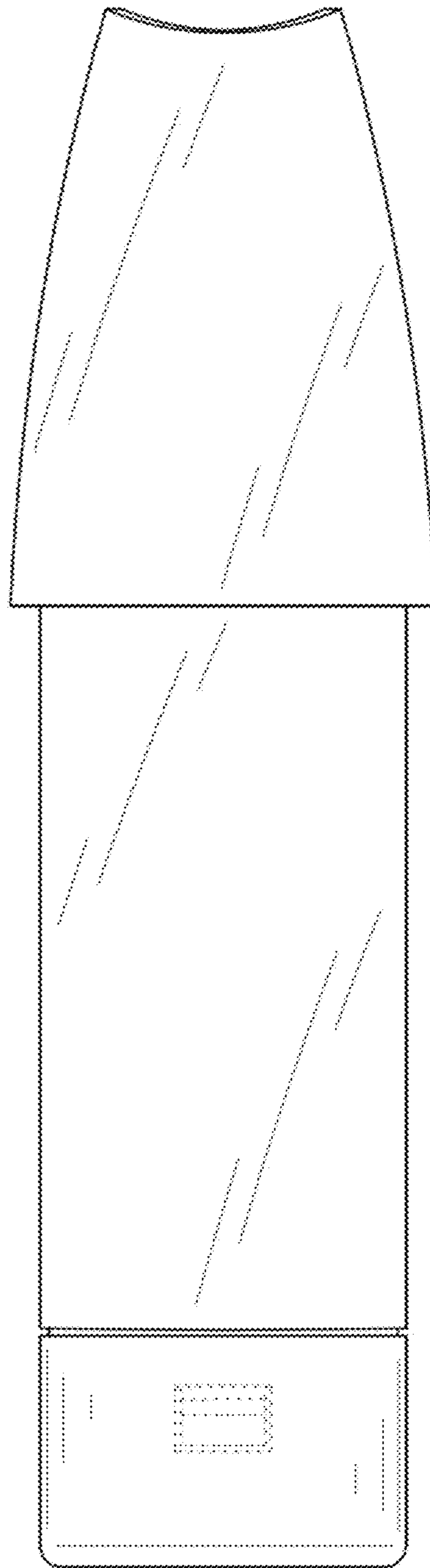


FIG. 4

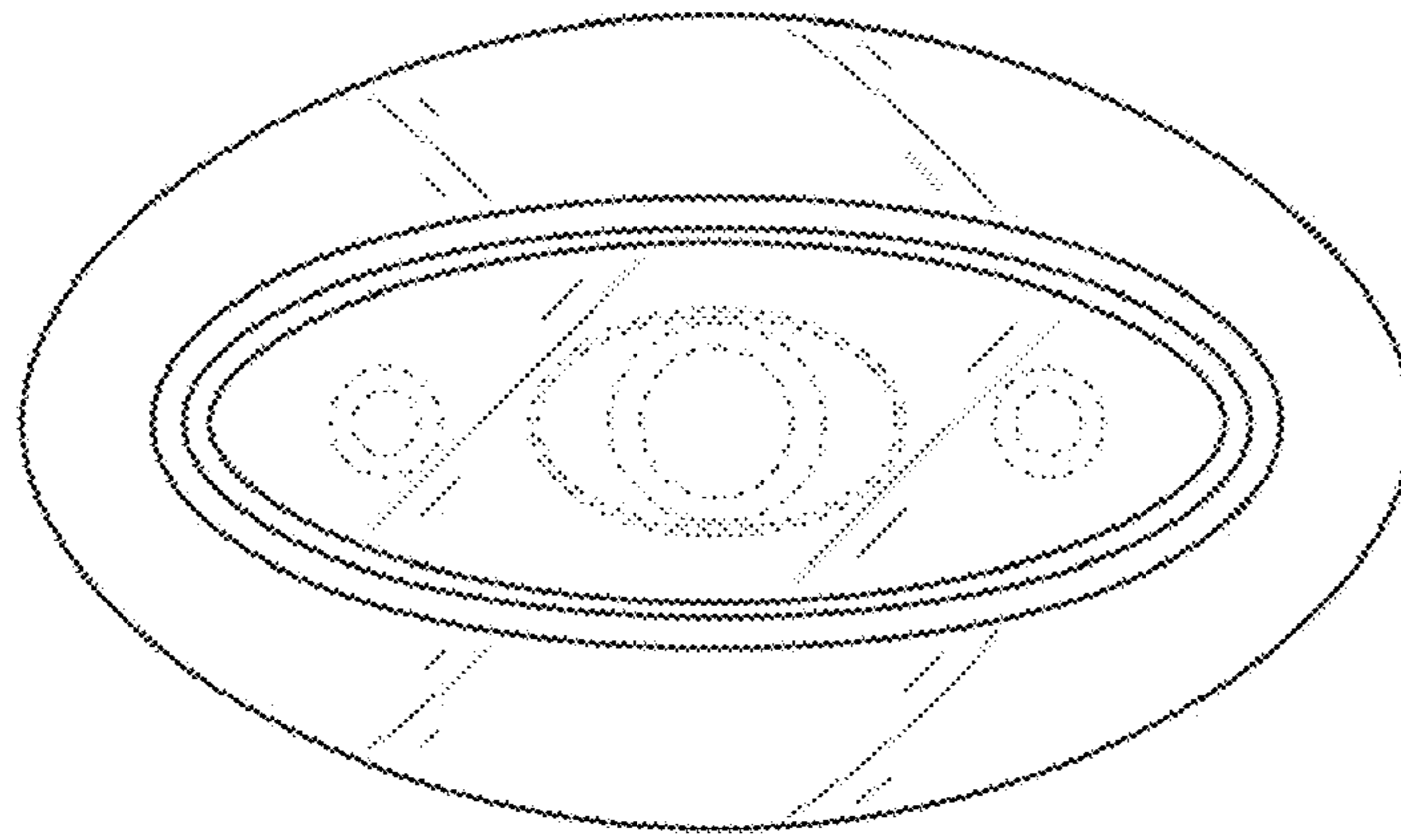


FIG. 5

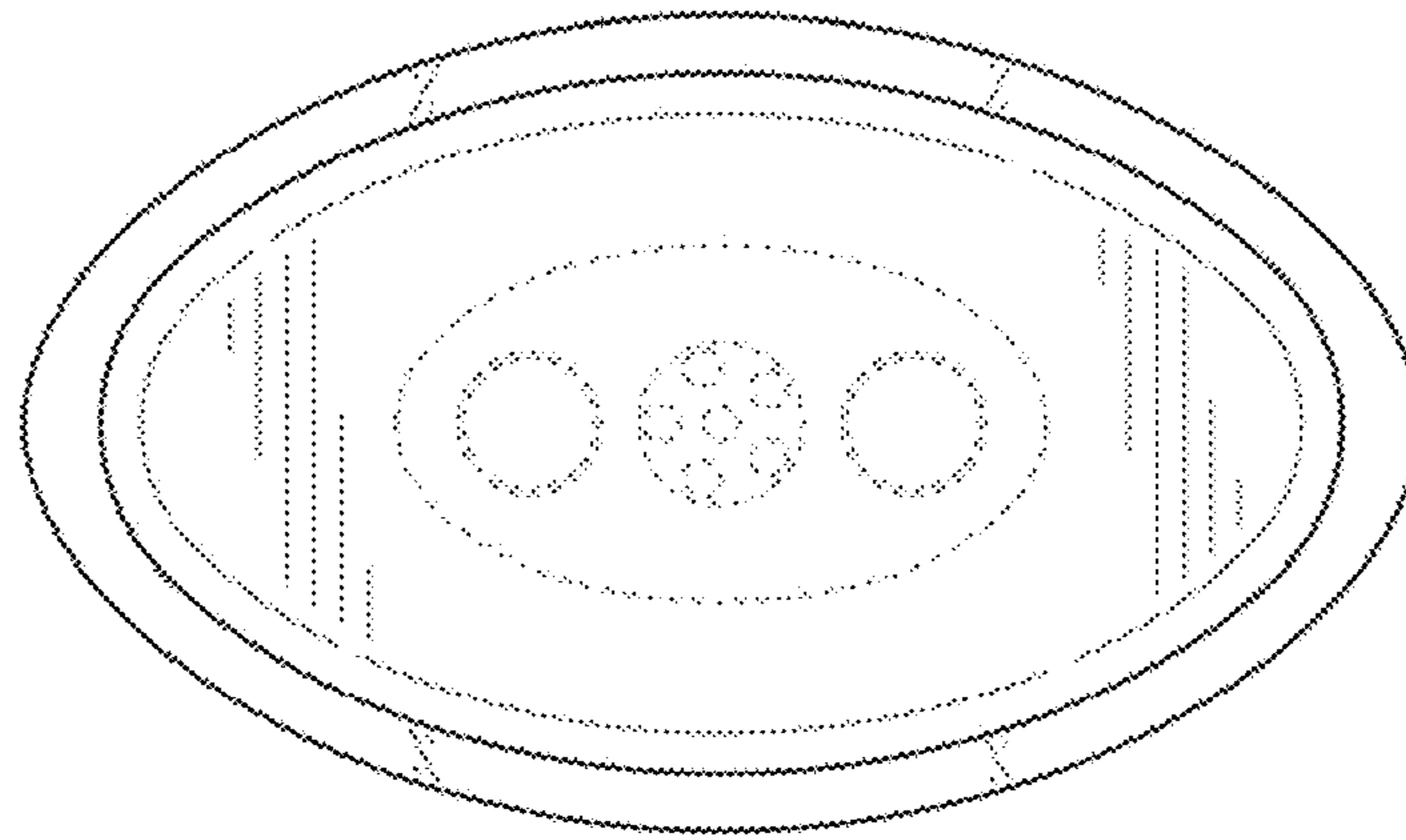


FIG. 6

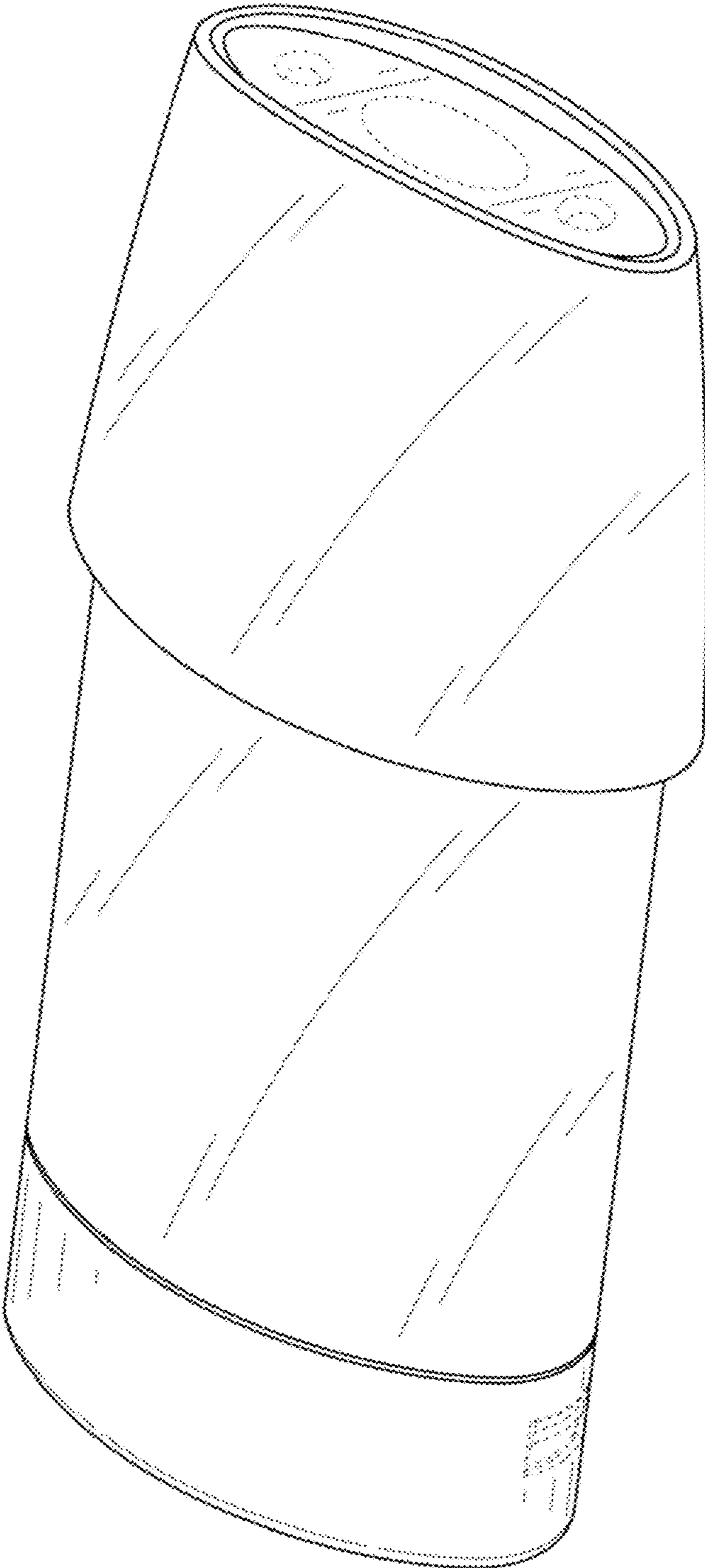


FIG. 7

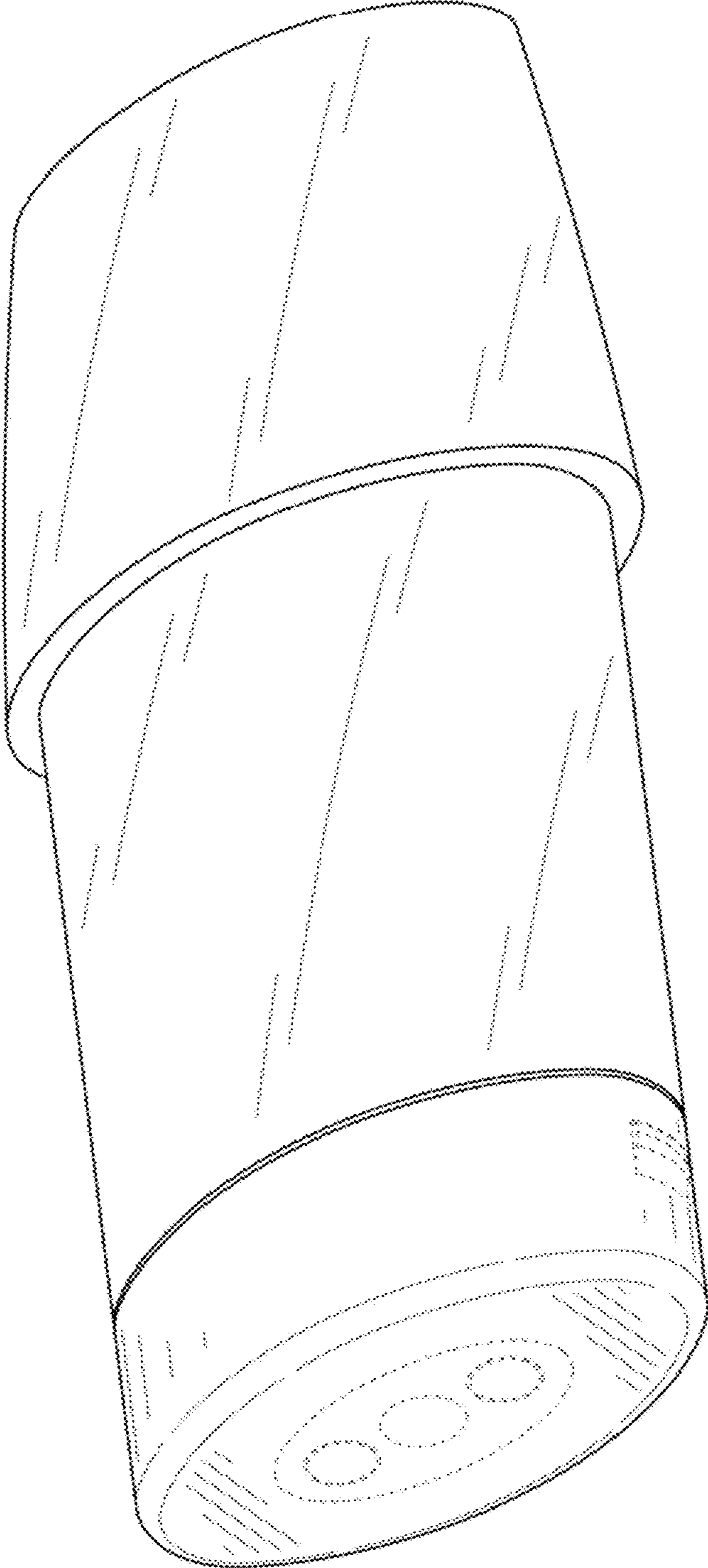


FIG. 8

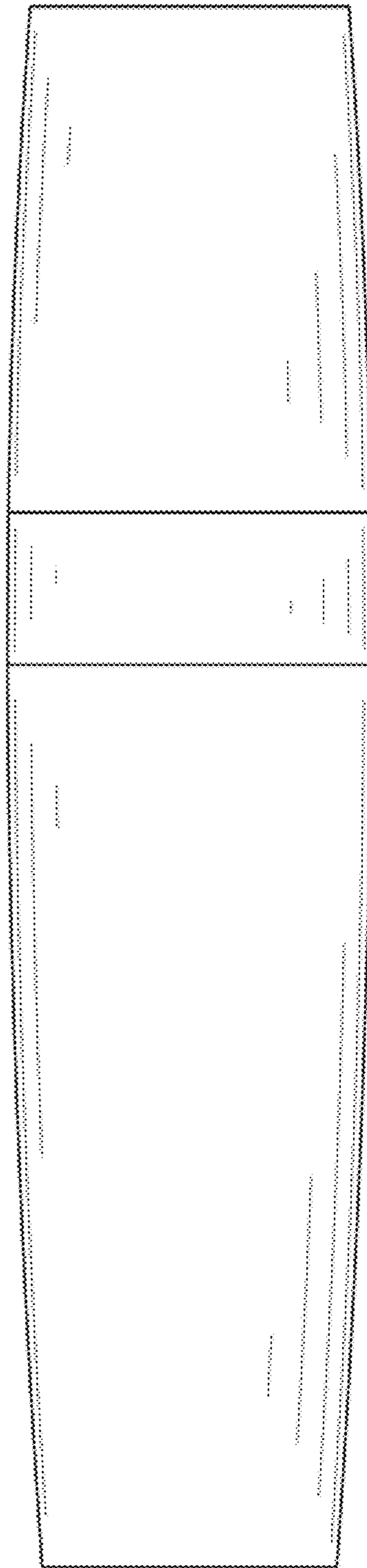


FIG. 9

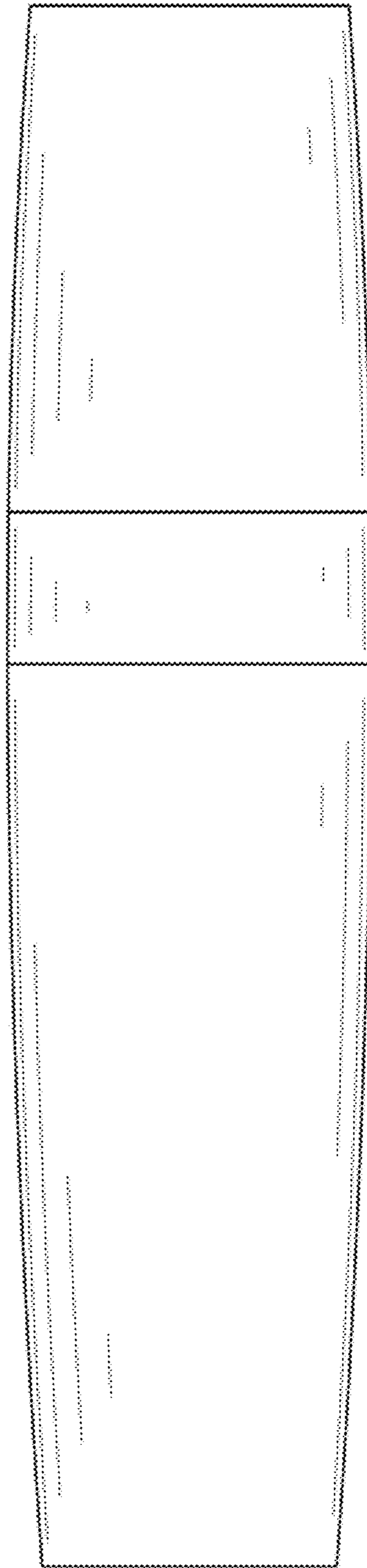


FIG. 10

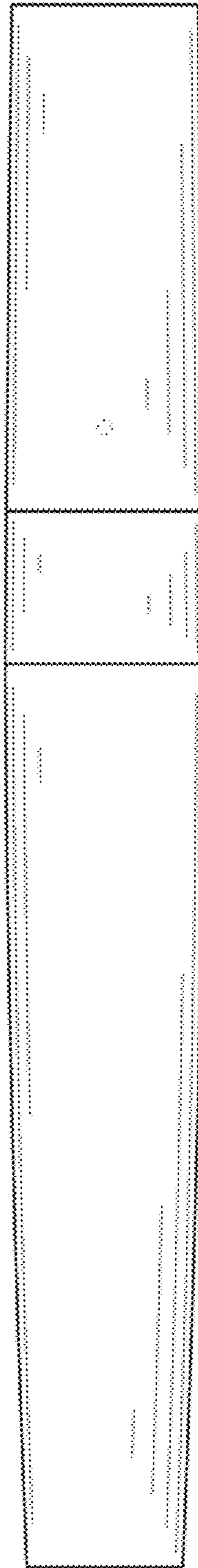


FIG. 11

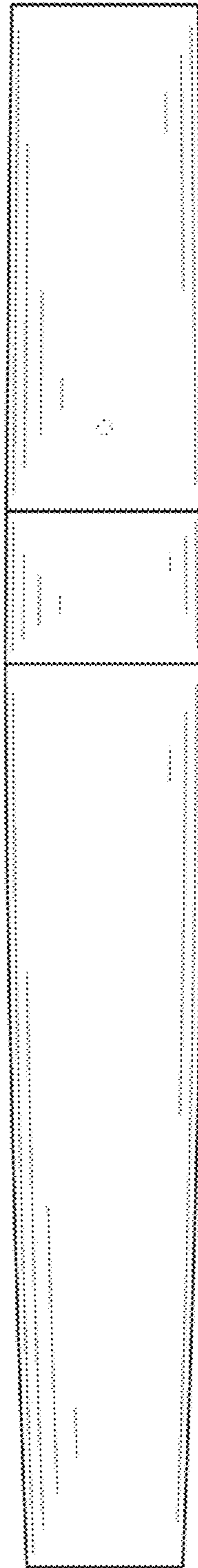


FIG. 12

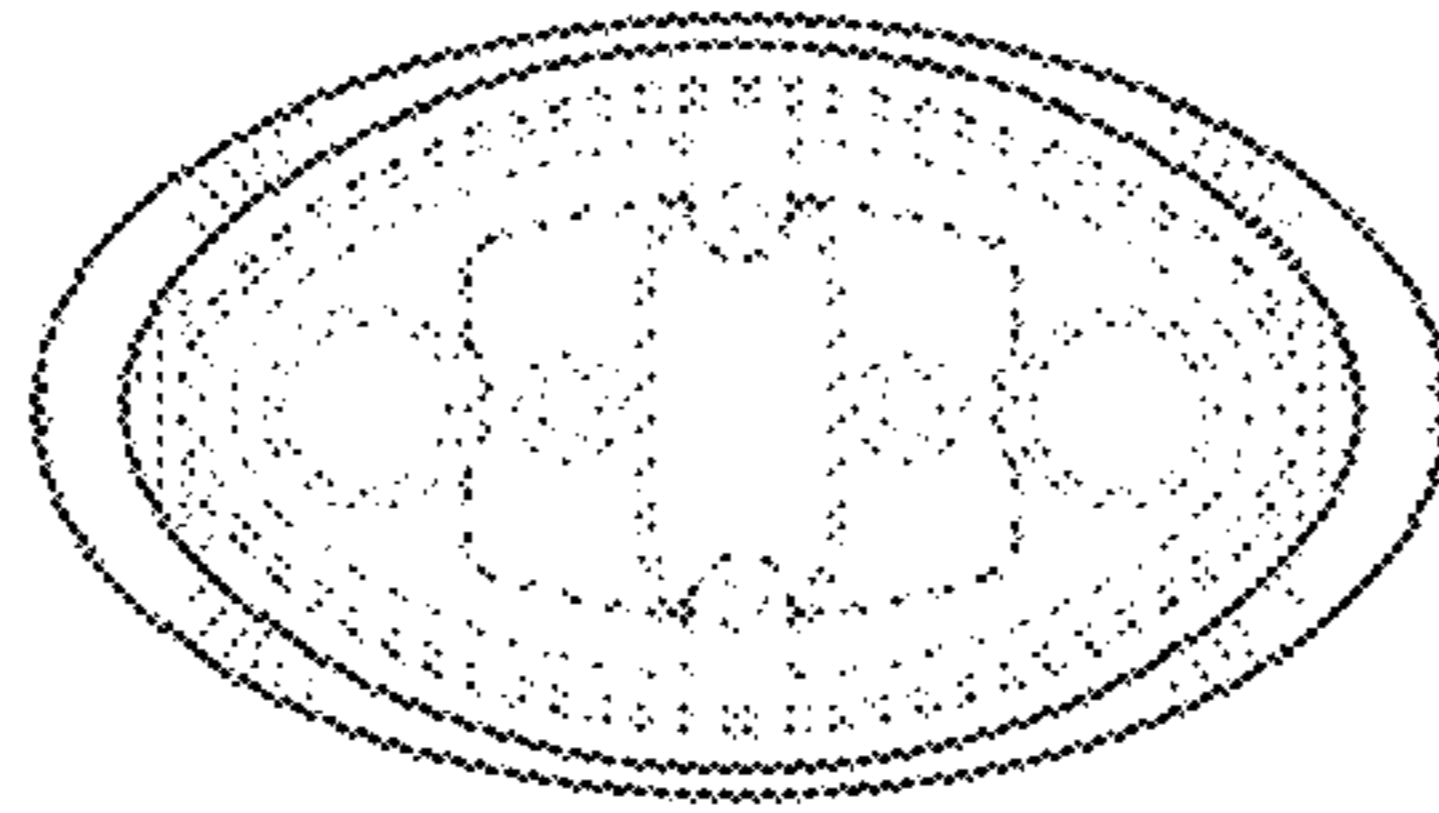


FIG. 13

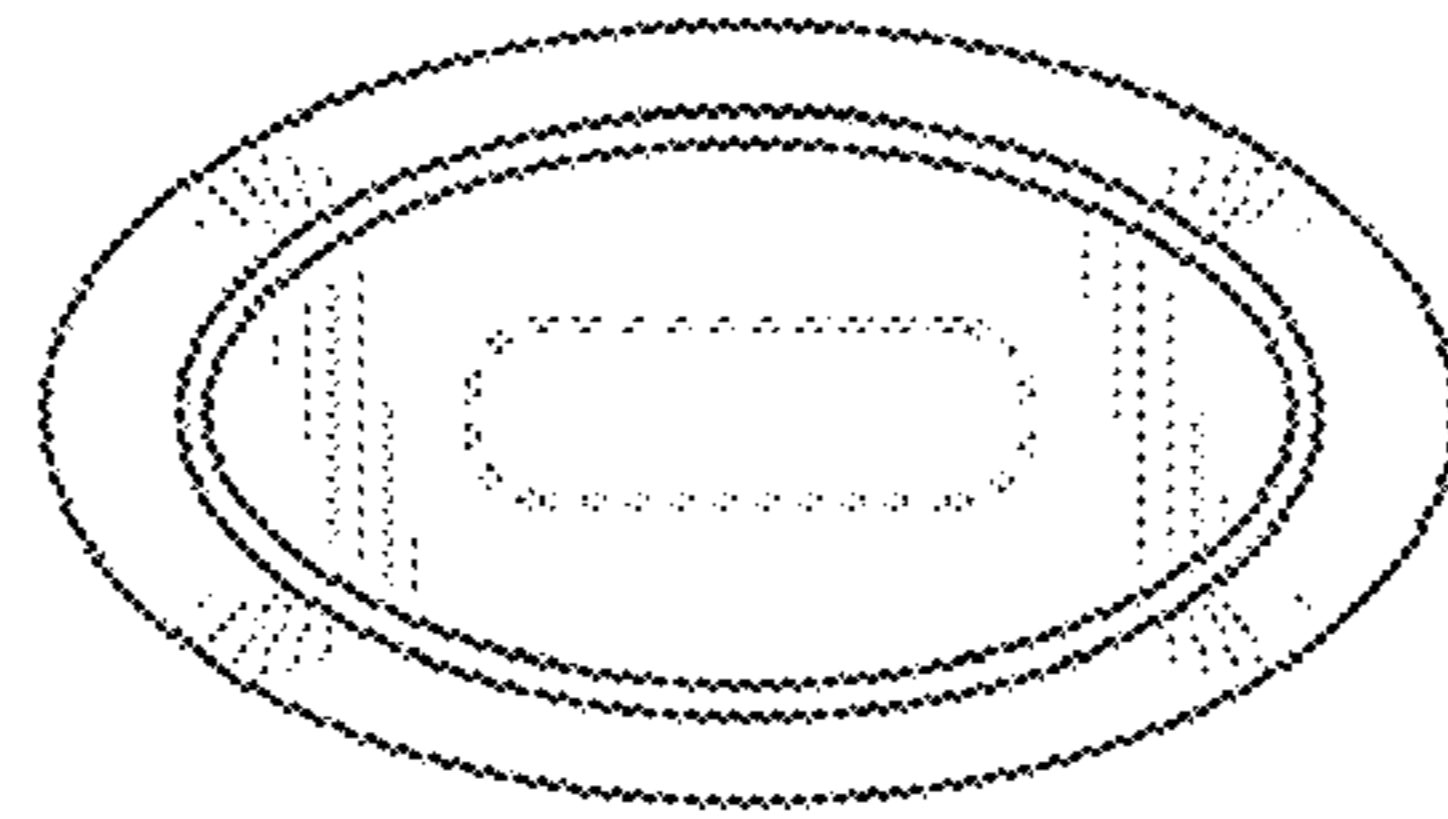


FIG. 14

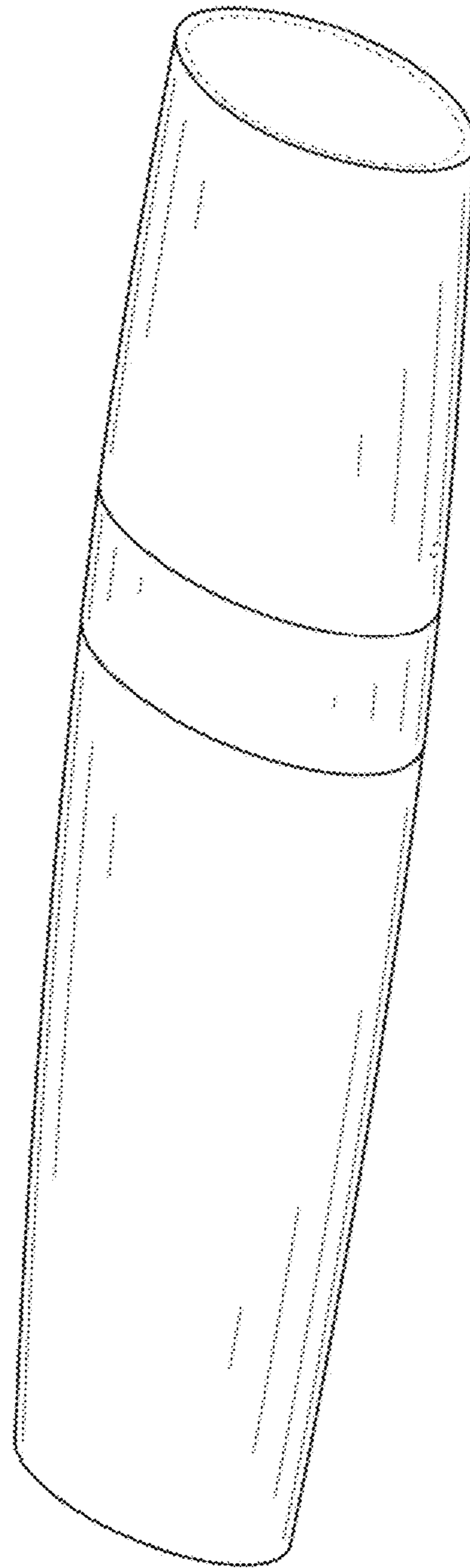


FIG. 15

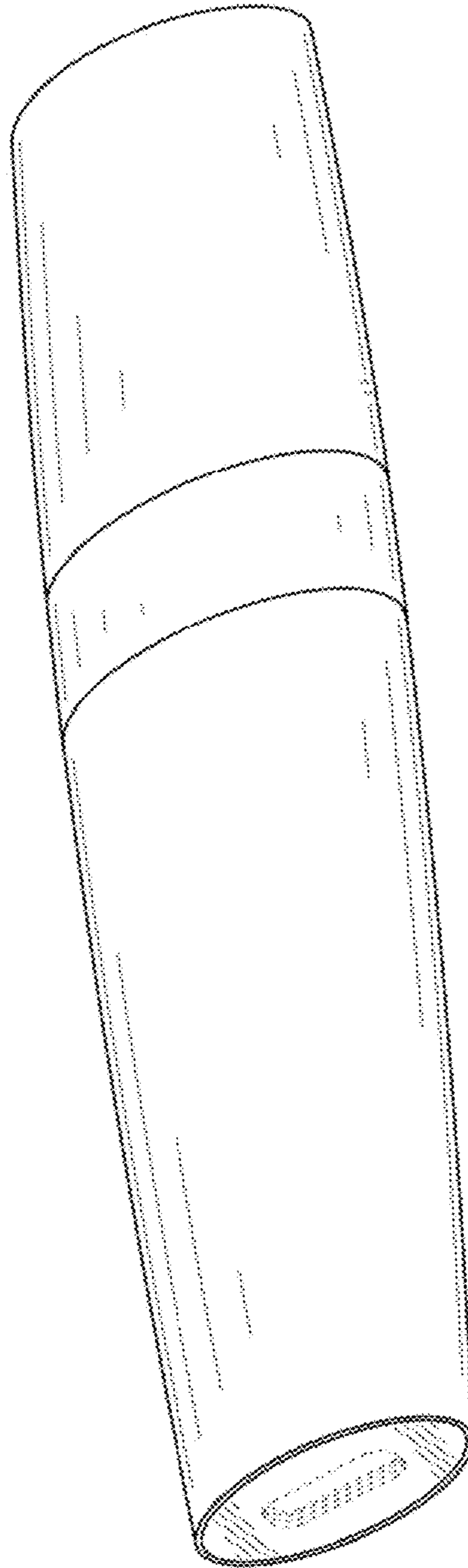


FIG. 16

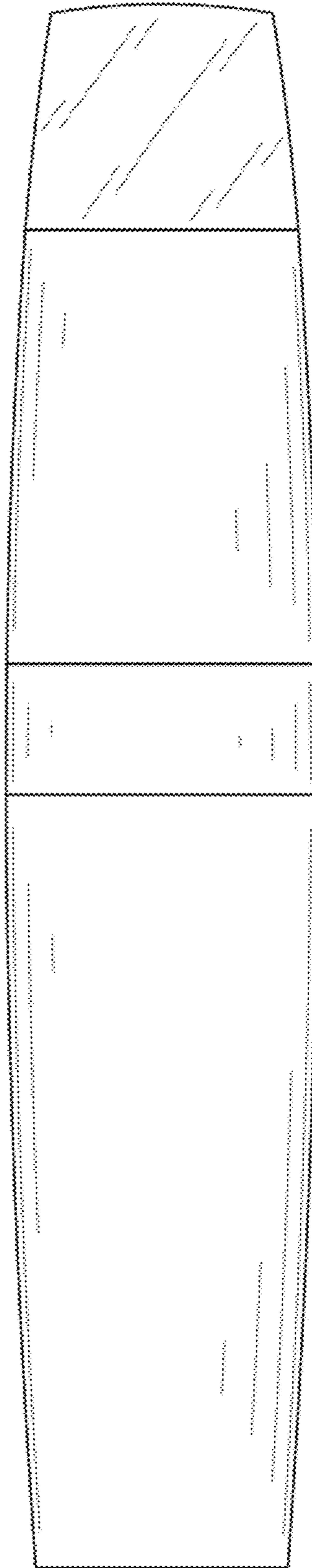


FIG. 17

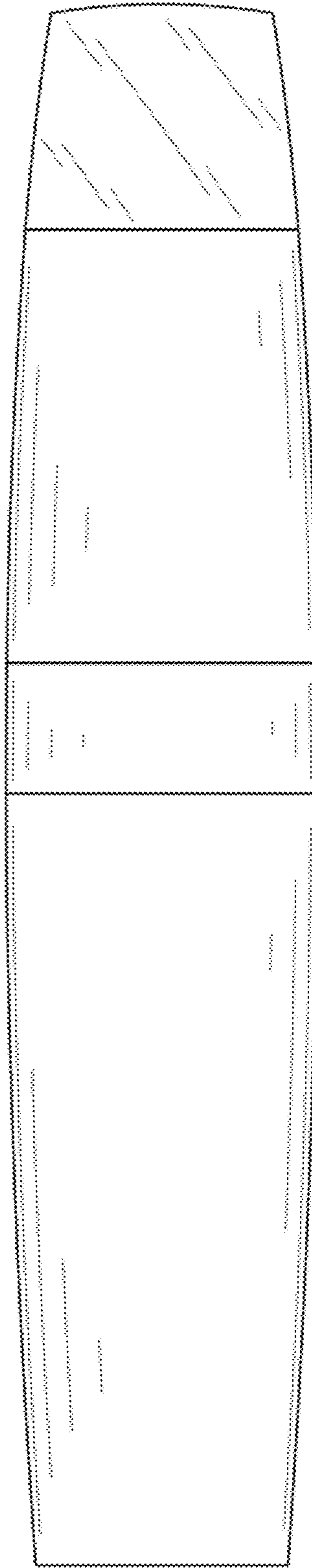


FIG. 18

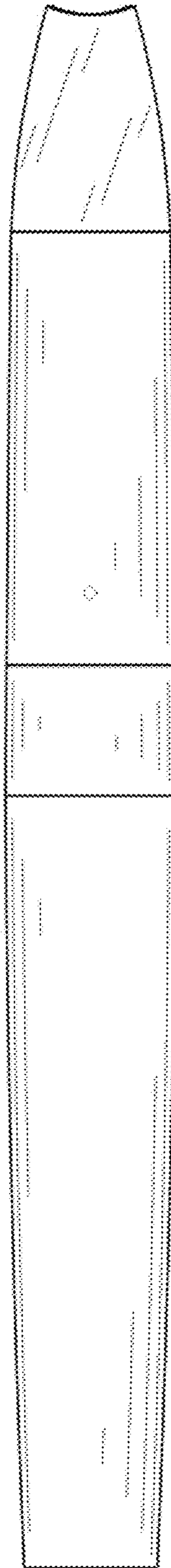


FIG. 19

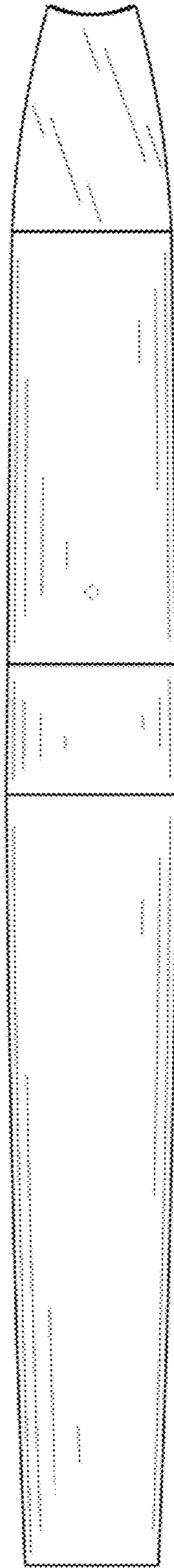


FIG. 20

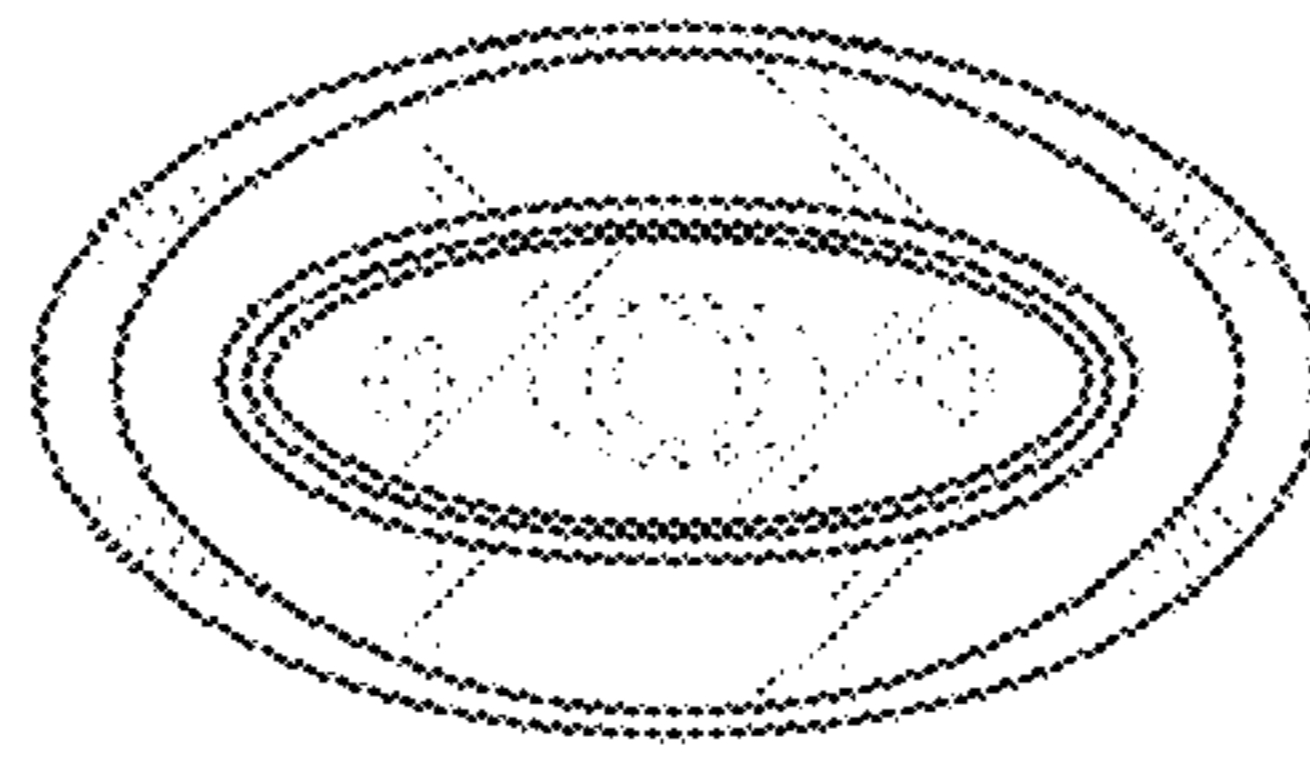


FIG. 21

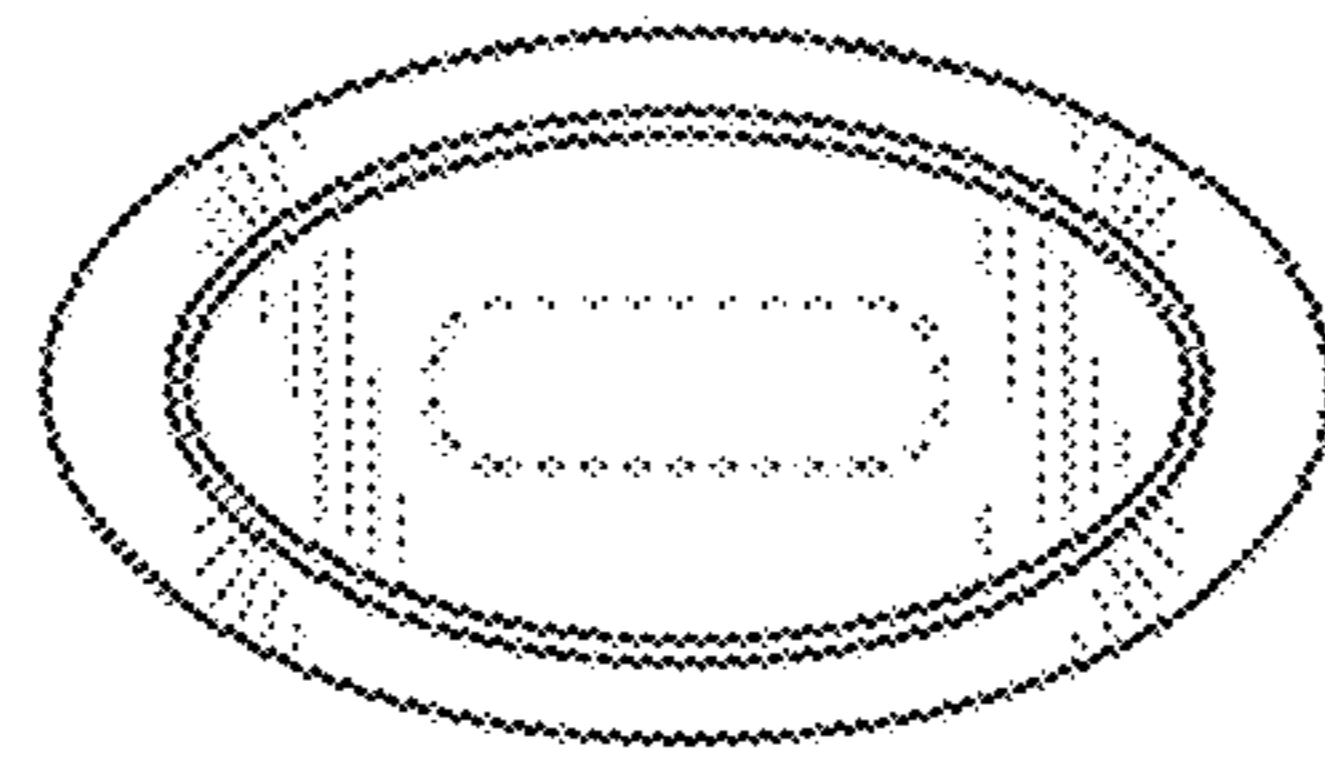


FIG. 22

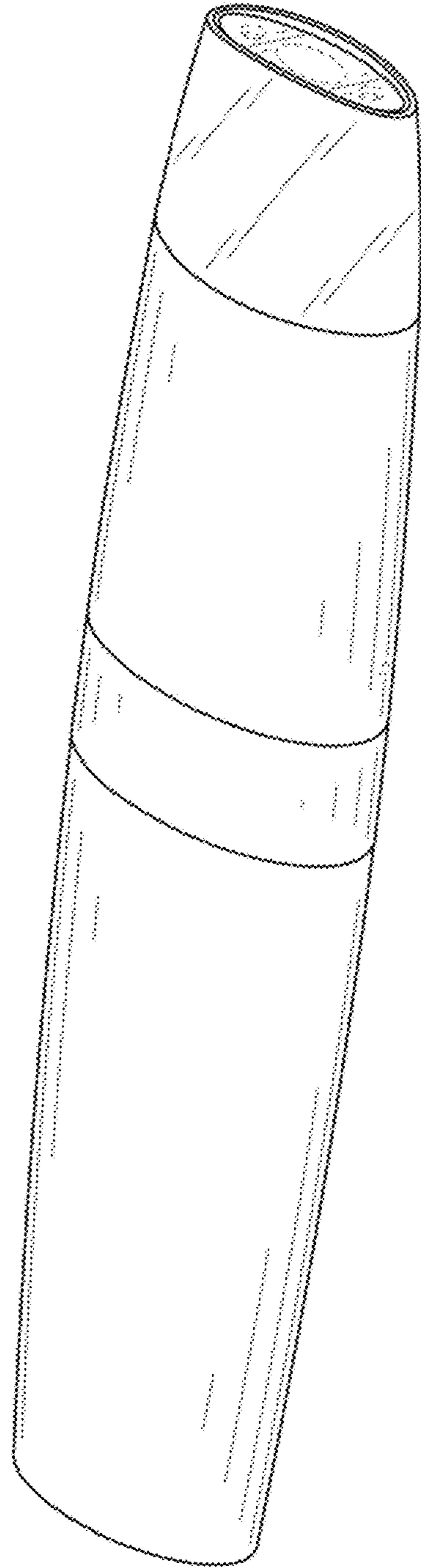


FIG. 23

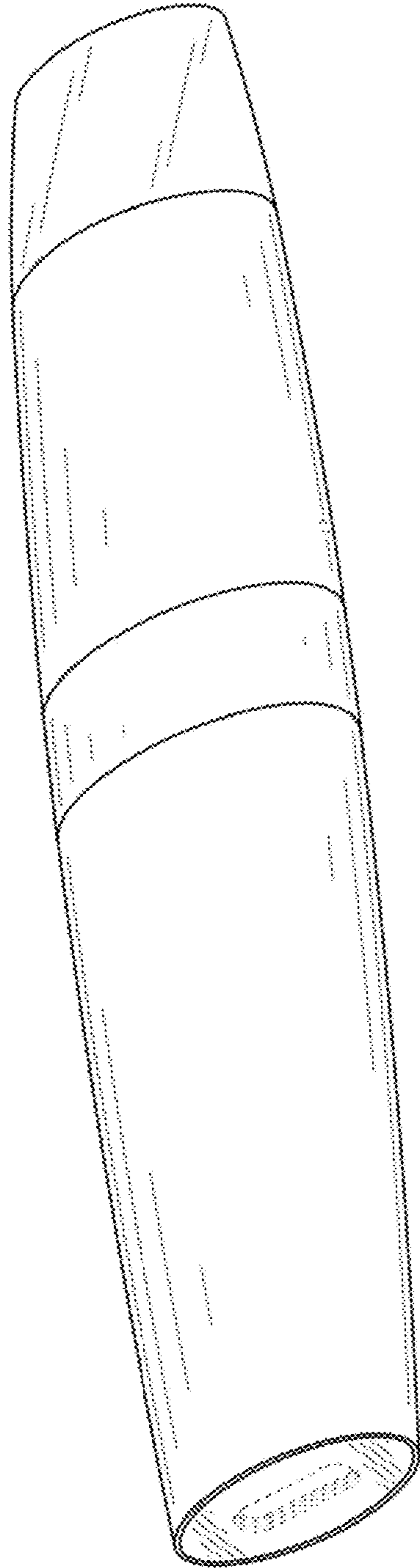


FIG. 24