



US00D928394S

(12) **United States Design Patent** (10) **Patent No.:** **US D928,394 S**  
**Jones et al.** (45) **Date of Patent:** **\*\* Aug. 17, 2021**

(54) **VAPORIZER CARTRIDGE**

FOREIGN PATENT DOCUMENTS

(71) Applicant: **CANOPY GROWTH CORPORATION**, Smiths Falls (CA)

CA 192739 \* 10/2020  
CN 201830717343.9 \* 5/2019

(Continued)

(72) Inventors: **Mark Jones**, Toronto (CA); **Joe Parisien**, Kanata (CA); **Yan Vermette**, Ottawa (CA)

OTHER PUBLICATIONS

(73) Assignee: **CANOPY GROWTH CORPORATION**, Smiths Falls (CA)

Vslim Review. By OrganicHome Budz. Dated Apr. 2, 2019. Found online [Mar. 16, 2021]. <https://www.youtube.com/watch?v=xuSVHySvUlo> (Year: 2019).\*

(Continued)

(\*\*) Term: **15 Years**

(21) Appl. No.: **29/707,392**

*Primary Examiner* — Marissa J Cash

*Assistant Examiner* — William B Melliar

(22) Filed: **Sep. 27, 2019**

(74) *Attorney, Agent, or Firm* — Stinson LLP

(51) **LOC (13) Cl.** ..... **27-02**

(52) **U.S. Cl.**  
USPC ..... **D27/162**; D27/170; D27/169

(57) **CLAIM**

(58) **Field of Classification Search**  
USPC ..... D27/100, 101, 137, 162, 163, 164, 165, D27/166, 167, 168, 169, 170, 171, 172, D27/173, 174, 175, 176, 177, 178, 179, D27/180, 181, 182, 183, 184, 185, 186, D27/187, 188, 189, 190, 191, 192, 193, D27/194, 196; D24/110, 110.4, 110.5, D24/110.6, 113; D28/91.1; D23/360, D23/362

The ornamental design for a vaporizer cartridge, as shown and described.

CPC ..... A24F 47/008; A24F 40/10; A24F 40/40; A24F 40/46; A24F 40/42; A24F 40/44; A24F 47/00; A24F 40/485; A24F 40/48; A24F 40/70; A24F 40/05; A24F 40/465; A24F 40/49; A24F 40/50; A24F 47/002; A24F 1/00; A24F 1/02; A24F 1/32; A24F 40/51; A24F 40/57; A24F 47/004; A24F  
(Continued)

**DESCRIPTION**

FIG. 1 is a perspective view of the vaporizer cartridge; FIG. 2 is a front elevational view of the vaporizer cartridge of FIG. 1; FIG. 3 is a rear elevational view of the vaporizer cartridge of FIG. 1; FIG. 4 is a right side elevational view of the vaporizer cartridge of FIG. 1; FIG. 5 is a left side elevational view of the vaporizer cartridge of FIG. 1; FIG. 6 is a top plan view of the vaporizer cartridge of FIG. 1; and, FIG. 7 is a bottom plan view of the vaporizer cartridge of FIG. 1.

The broken lines in the drawings illustrate portions of the vaporizer cartridge that form no part of the claimed design.

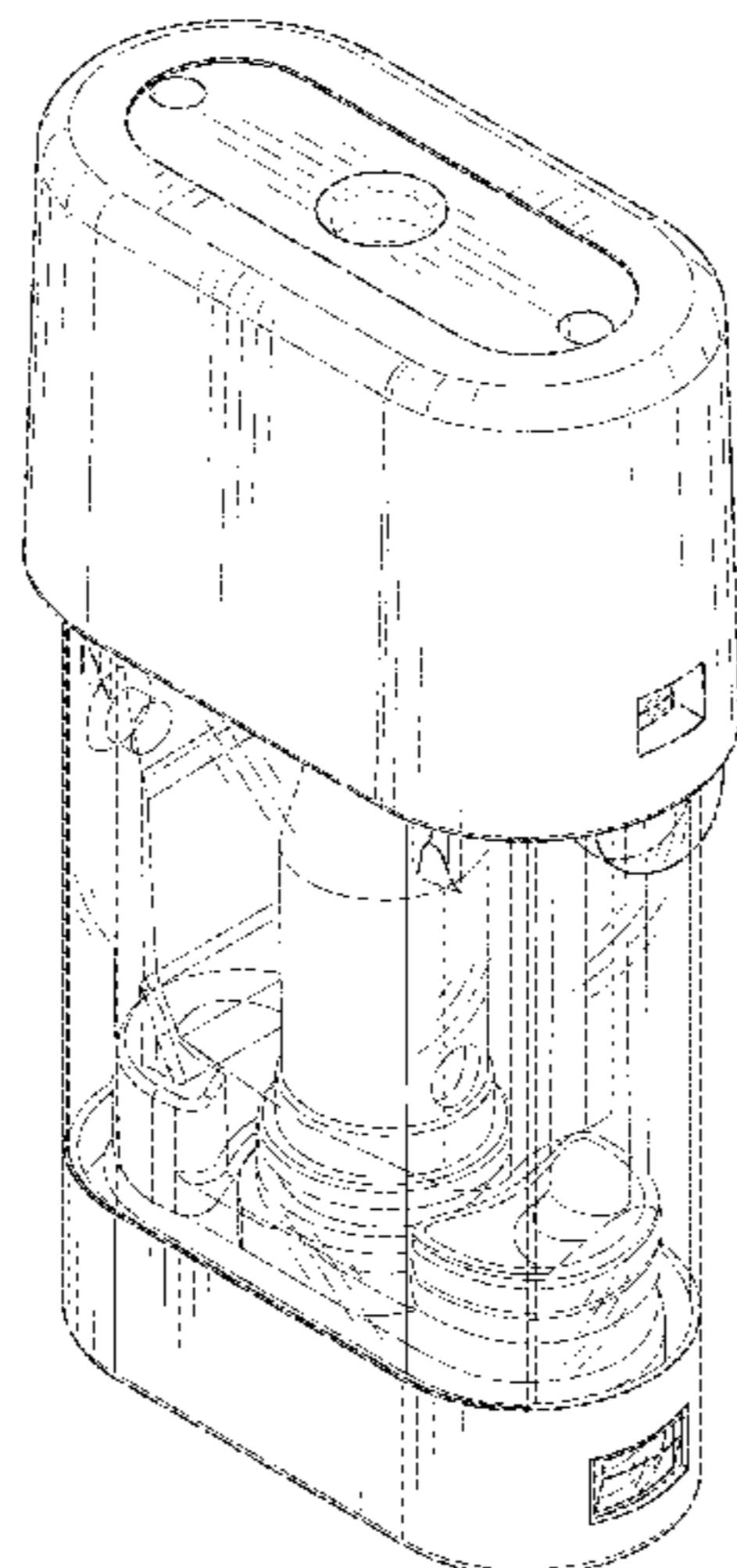
(56) **References Cited**

U.S. PATENT DOCUMENTS

9,549,573 B2 1/2017 Monsees et al.  
D825,102 S 8/2018 Bowen et al.

(Continued)

**1 Claim, 5 Drawing Sheets**



(58) **Field of Classification Search**

CPC ... 7/02; A24F 9/16; A24F 40/60; A24F 40/20;  
 A24F 40/65; A24F 40/53; A24F 40/30;  
 A24F 40/90; A24F 40/95; A24F 13/00;  
 A24F 15/12; A24F 15/14; A24F 15/18;  
 A24F 2700/03; A24F 40/85; A24F 42/20;  
 A24F 42/60; A24F 7/04; A24F 7/00;  
 A24F 15/00; A24F 15/015; A24F 40/00

See application file for complete search history.

(56) **References Cited**

U.S. PATENT DOCUMENTS

10,045,567	B2	8/2018	Monsees et al.	
10,045,568	B2	8/2018	Monsees et al.	
10,058,124	B2	8/2018	Monsees et al.	
10,058,129	B2	8/2018	Monsees et al.	
10,058,130	B2	8/2018	Monsees et al.	
10,070,669	B2	9/2018	Monsees et al.	
10,076,139	B2	9/2018	Monsees et al.	
10,104,915	B2	10/2018	Bowen et al.	
10,111,470	B2	10/2018	Monsees et al.	
10,117,465	B2	11/2018	Monsees et al.	
10,117,466	B2	11/2018	Monsees et al.	
10,159,282	B2	12/2018	Monsees et al.	
10,201,190	B2	2/2019	Monsees et al.	
D842,536	S *	3/2019	Bowen	D27/167
D844,235	S *	3/2019	Cividi	D27/167
10,264,823	B2	4/2019	Monsees et al.	
D849,996	S *	5/2019	Duque	D27/194
D858,868	S *	9/2019	Bowen	D27/162
D858,869	S	9/2019	Bowen et al.	
D858,870	S	9/2019	Bowen et al.	
D865,279	S *	10/2019	Pino	D27/172
D870,368	S *	12/2019	Leon Duque	D27/162
D870,959	S *	12/2019	Leon Duque	D27/162
D871,669	S *	12/2019	Lee	D27/194
D887,632	S *	6/2020	Duque	D27/167
D898,279	S *	10/2020	Pierce	D27/162

D902,480	S *	11/2020	Chen	D27/194
D908,280	S *	1/2021	Aller	D27/162
D910,906	S *	2/2021	Zhou	D27/162
D912,309	S *	3/2021	Bowen	D27/162
2016/0366947	A1	12/2016	Monsees et al.	
2017/0231282	A1	8/2017	Bowen et al.	
2018/0070648	A1	3/2018	Monsees et al.	
2018/0077967	A1 *	3/2018	Hatton	A61M 11/042
2018/0092405	A1	4/2018	Monsees et al.	
2018/0092406	A1	4/2018	Monsees et al.	
2018/0098578	A1	4/2018	Monsees et al.	
2018/0177240	A1 *	6/2018	Duque	A24F 47/008
2018/0317557	A1	11/2018	Monsees et al.	
2018/0360130	A1	12/2018	Bowen et al.	
2019/0008212	A1	1/2019	Atkins et al.	

FOREIGN PATENT DOCUMENTS

CN	202030105429.3	*	7/2020	
RU	2018500672	*	1/2019	
WO	WO 2015/100361		7/2015	
WO	WO 2017/139675		8/2017	
WO	WO 2017/147560		8/2017	
WO	WO 2017/151724		9/2017	

OTHER PUBLICATIONS

U.S. Appl. No. 29/712,998, Laidlaw et al., filed Nov. 13, 2019.  
 U.S. Appl. No. 29/713,948, Jones et al., filed Nov. 20, 2019.  
 U.S. Appl. No. 29/717,041, Laidlaw et al., filed Dec. 13, 2019.  
 Ikrusher, Vslim, disclosed on Internet prior to Sep. 27, 2019,  
<https://www.ikrusher.com/vslim/>.  
 Lighterusa, iKrusher Vslim replacement Pod, disclosed on Internet  
 prior to Sep. 27, 2019, <https://www.lighterusa.com/products/vslim-replacement-pod?variant=15737215221869>.  
 Lighterusa, Pax Era, disclosed on Internet prior to Sep. 27, 2019,  
<https://www.lighterusa.com/products/pax-era>.  
 Juul, The Device, disclosed on Internet prior to Sep. 27, 2019,  
<https://www.juul.com/learn/device>.

\* cited by examiner



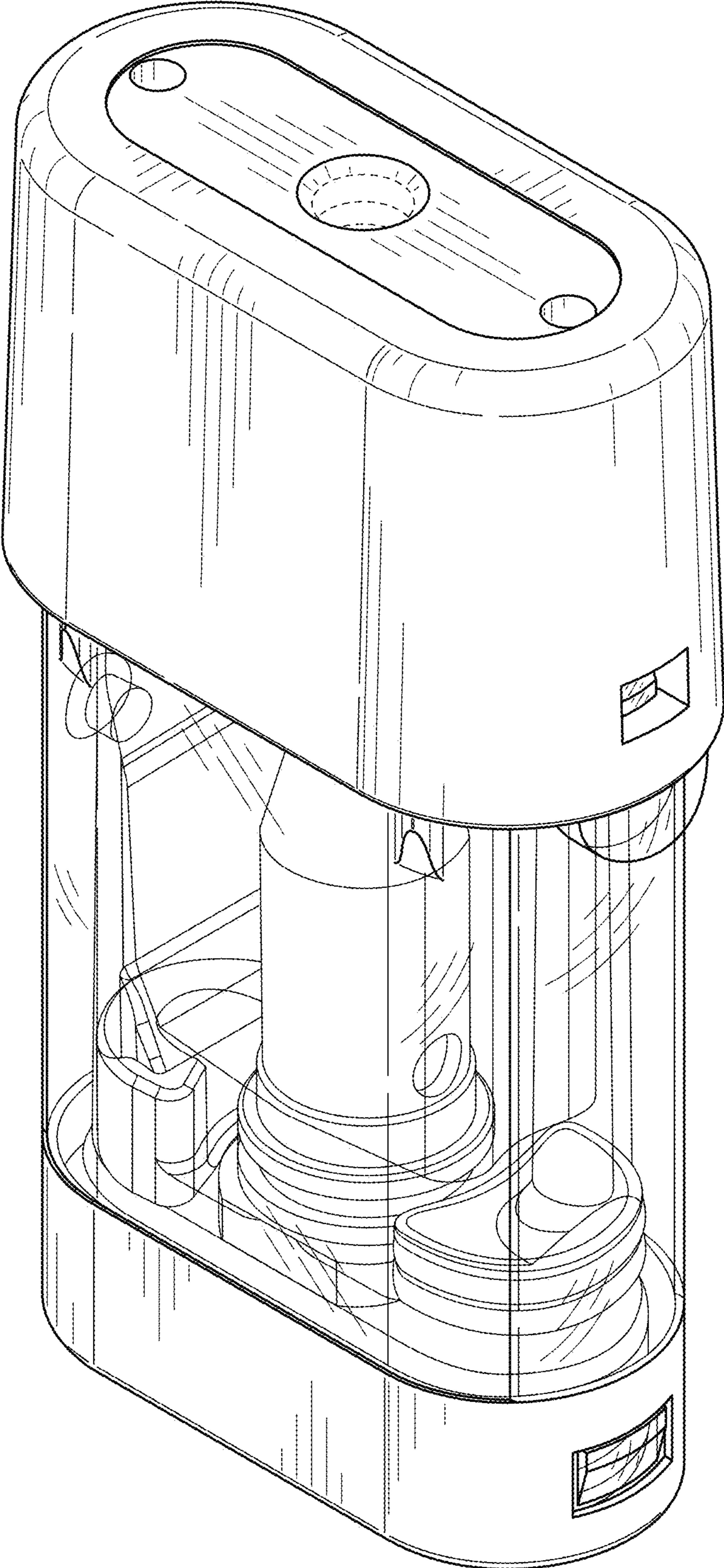


FIG. 1

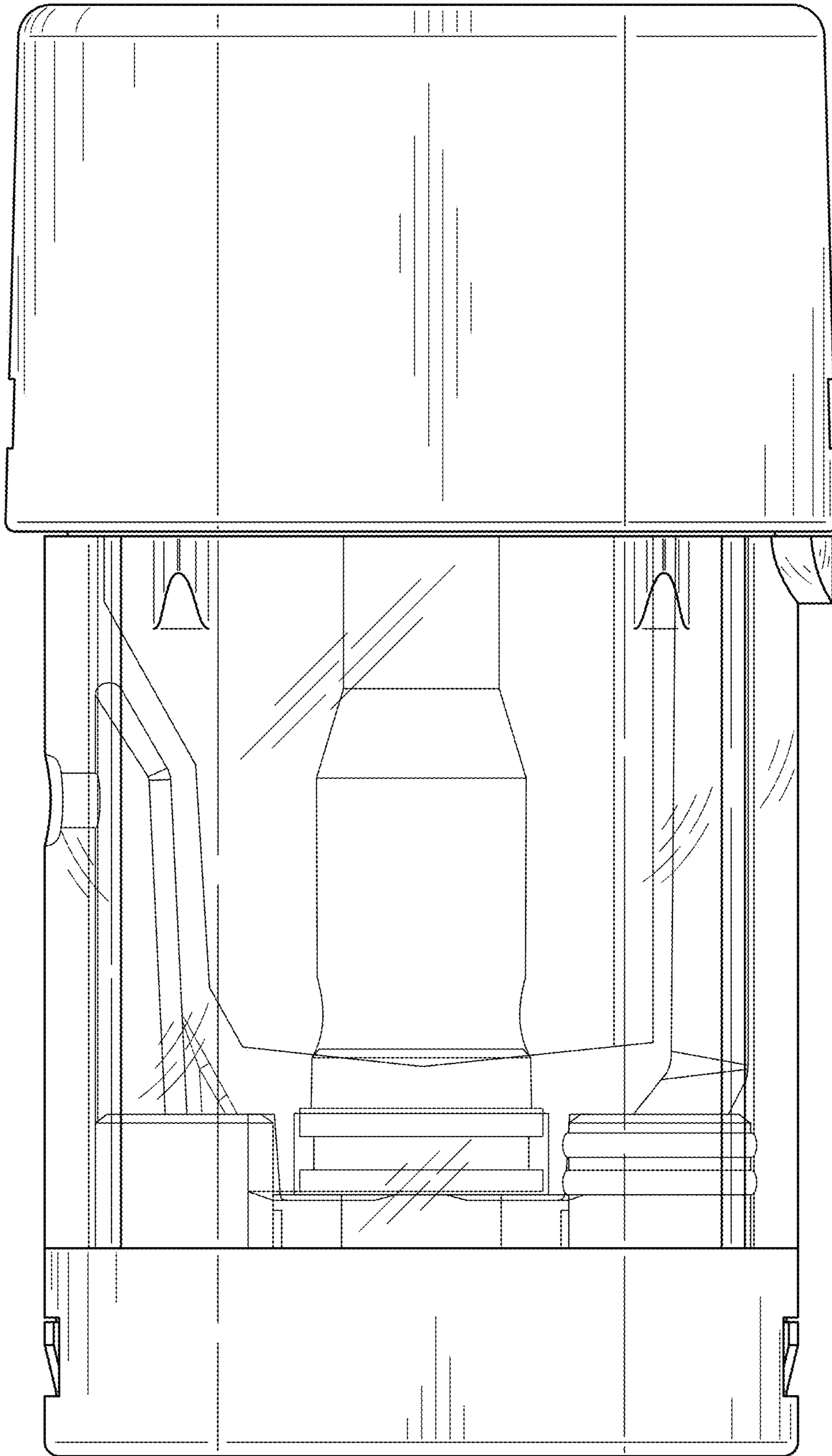


FIG. 2

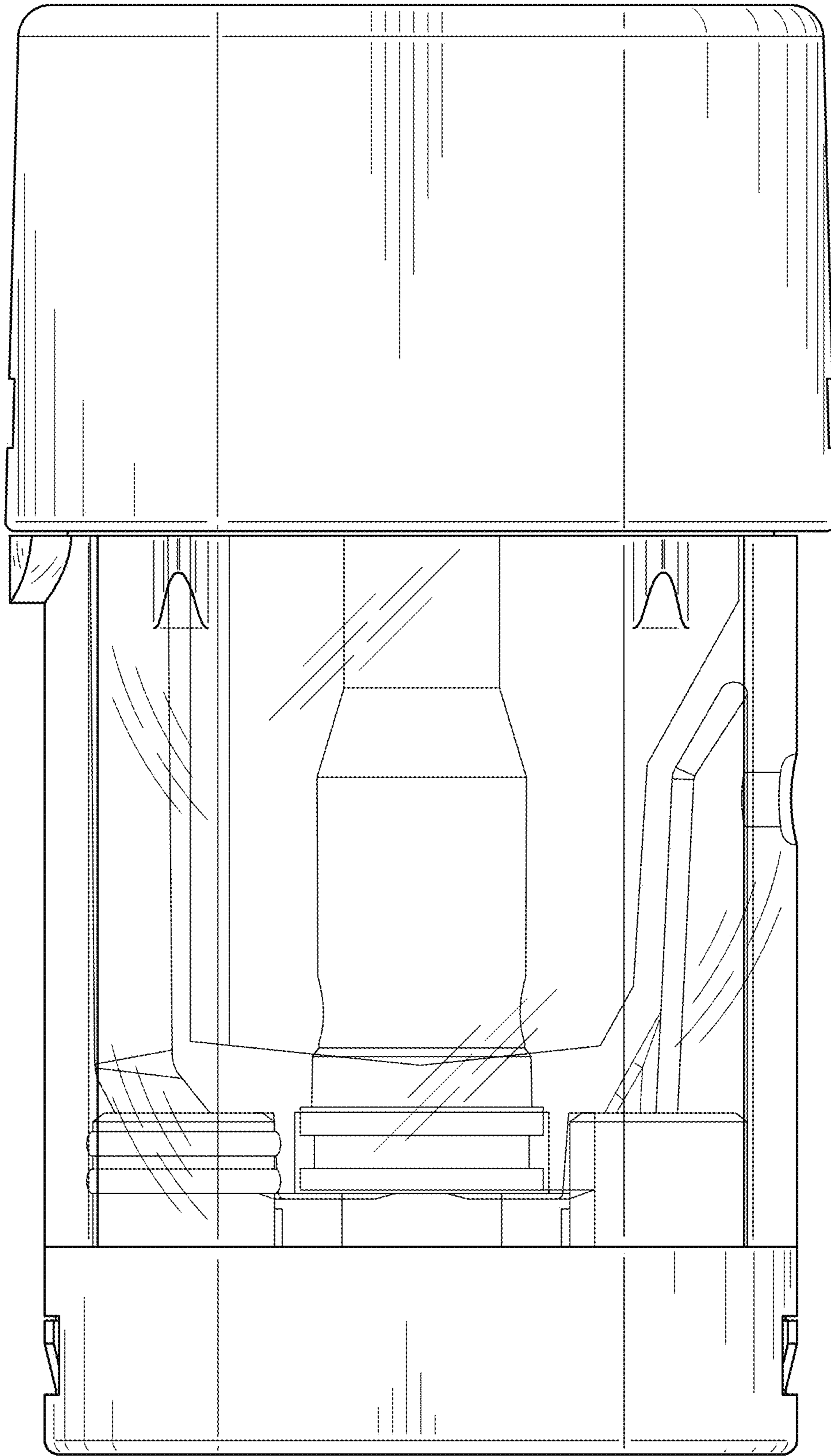


FIG. 3

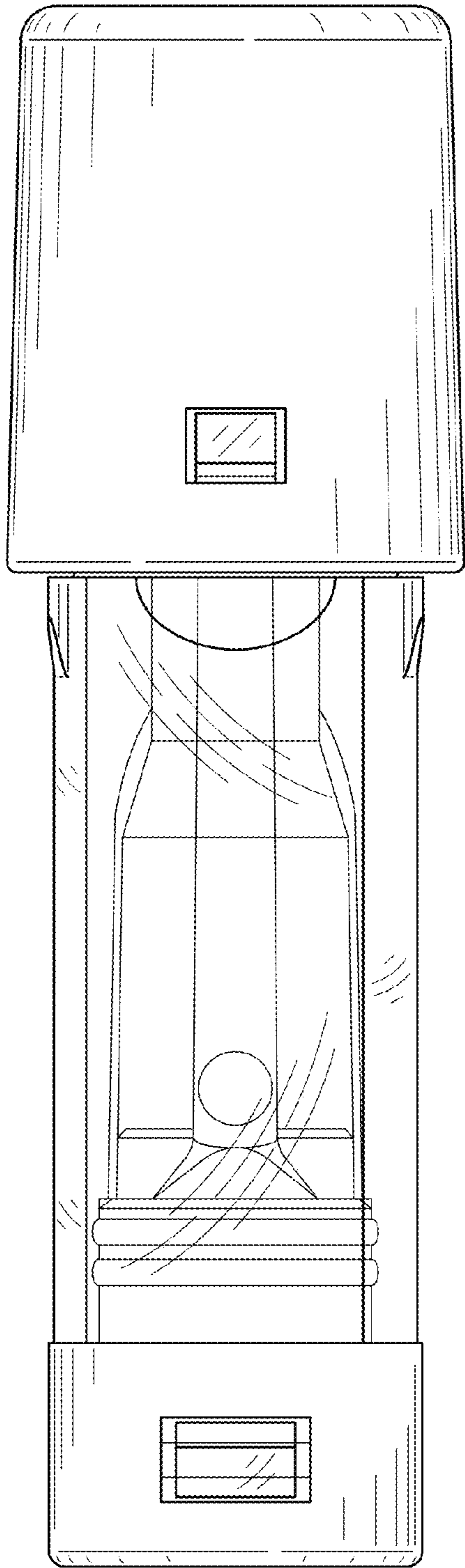


FIG. 4

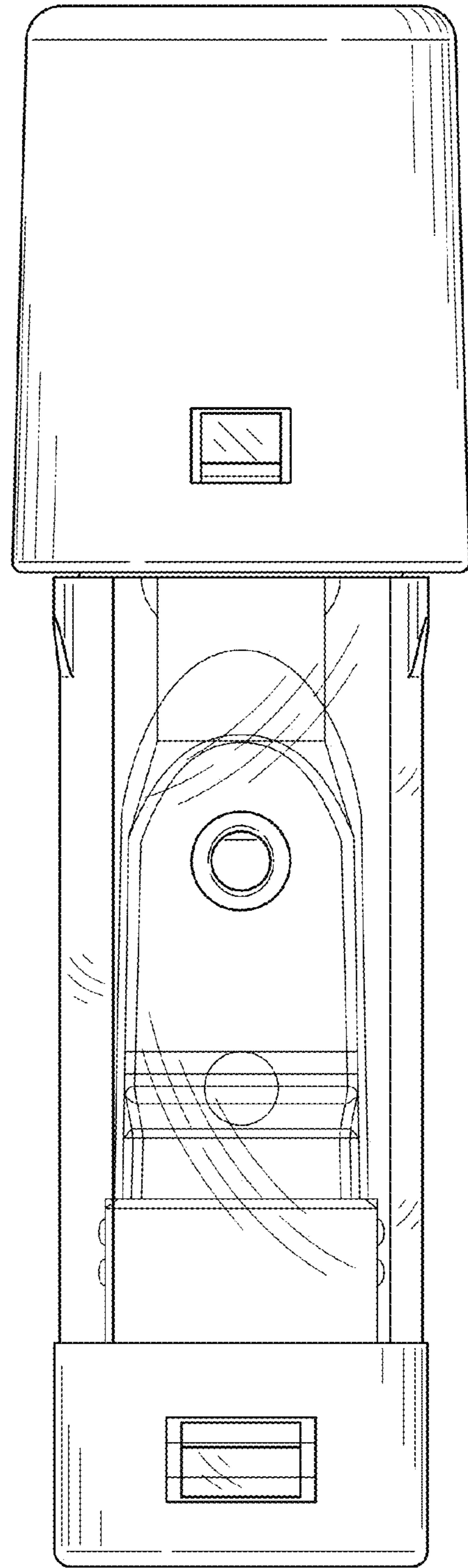


FIG. 5



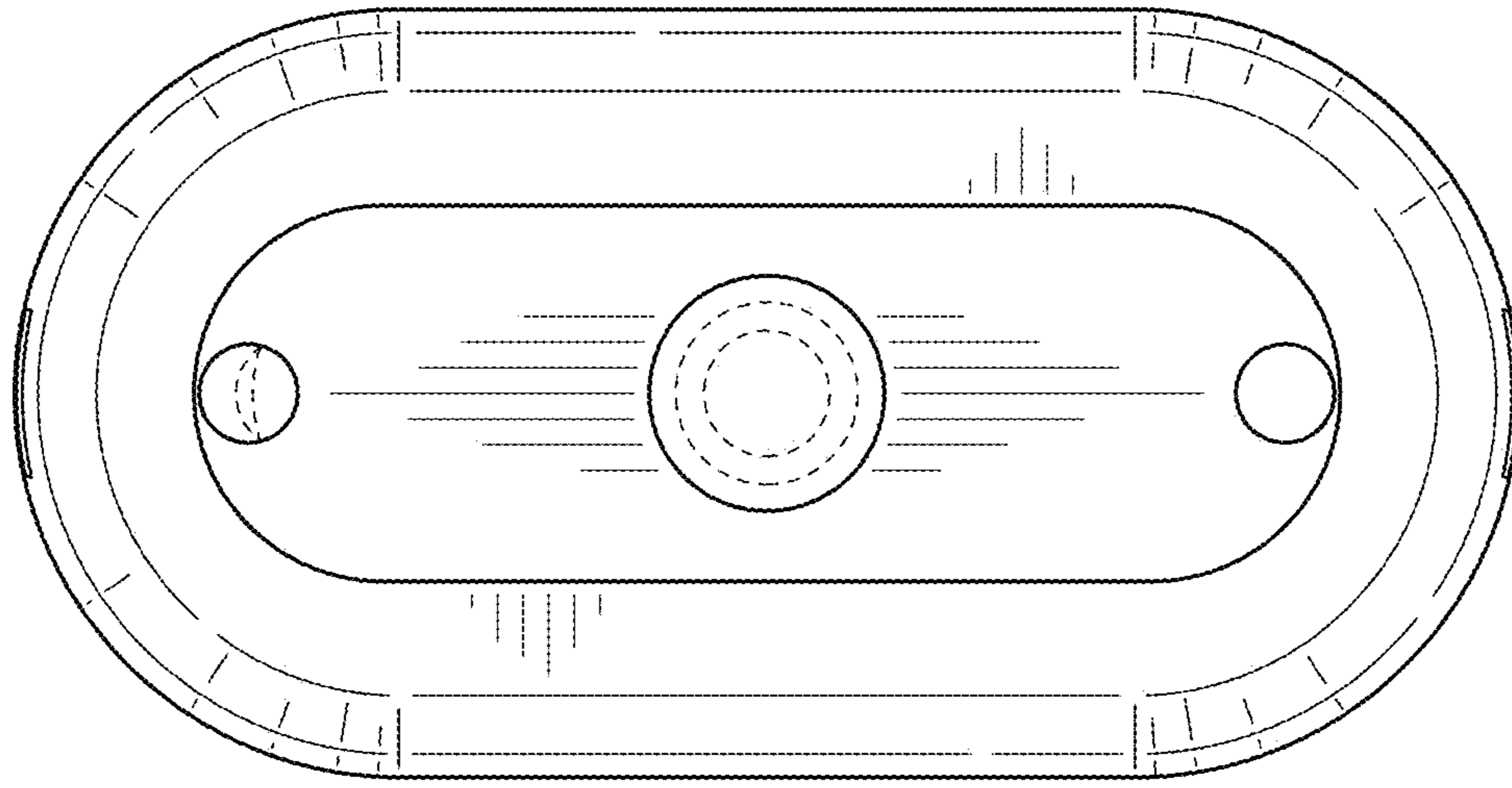


FIG. 6

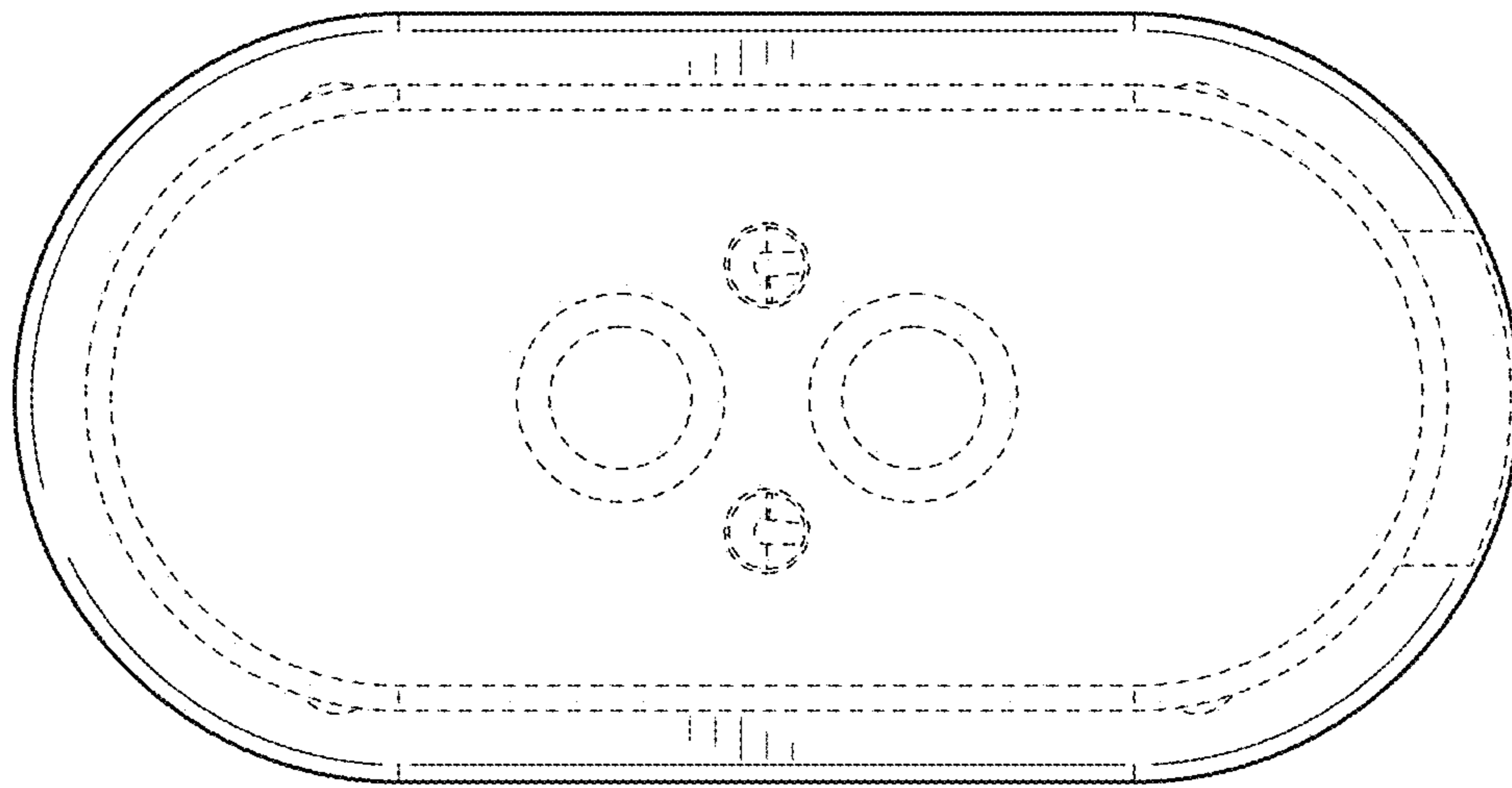


FIG. 7