



US00D928389S

(12) **United States Design Patent** (10) **Patent No.:** **US D928,389 S**
Trott et al. (45) **Date of Patent:** **** Aug. 17, 2021**

(54) **LIGHTING DIFFUSER**
(71) Applicant: **ABL IP HOLDING LLC**, Atlanta, GA (US)
(72) Inventors: **Gary Trott**, Greensboro, GA (US); **Scott Doty**, Pittsburgh, PA (US)
(73) Assignee: **ABL IP Holding LLC**, Atlanta, GA (US)
(**) Term: **15 Years**

(21) Appl. No.: **29/721,981**
(22) Filed: **Jan. 24, 2020**
(51) **LOC (13) Cl.** **26-05**
(52) **U.S. Cl.**
USPC **D26/118**
(58) **Field of Classification Search**
USPC D26/24, 105, 107, 108, 112, 113, 118, D26/119, 122, 123, 133, 134; D16/237, D16/241, 250
CPC . F21V 3/00; F21V 3/049; F21V 3/061; F21V 3/062; F21V 3/0615; F21V 3/0625; F21V 7/00; F21V 7/005; F21V 7/041; F21V 7/043; F21V 7/0008; F21V 7/091; F21V 11/00; F21V 11/02; F21V 1/00; F21V 1/04; F21V 1/06; F21V 5/00; F21V 5/007
See application file for complete search history.

(56) **References Cited**
U.S. PATENT DOCUMENTS
D257,897 S * 1/1981 Scholze D26/105
D392,764 S * 3/1998 Balish, Jr. D26/105

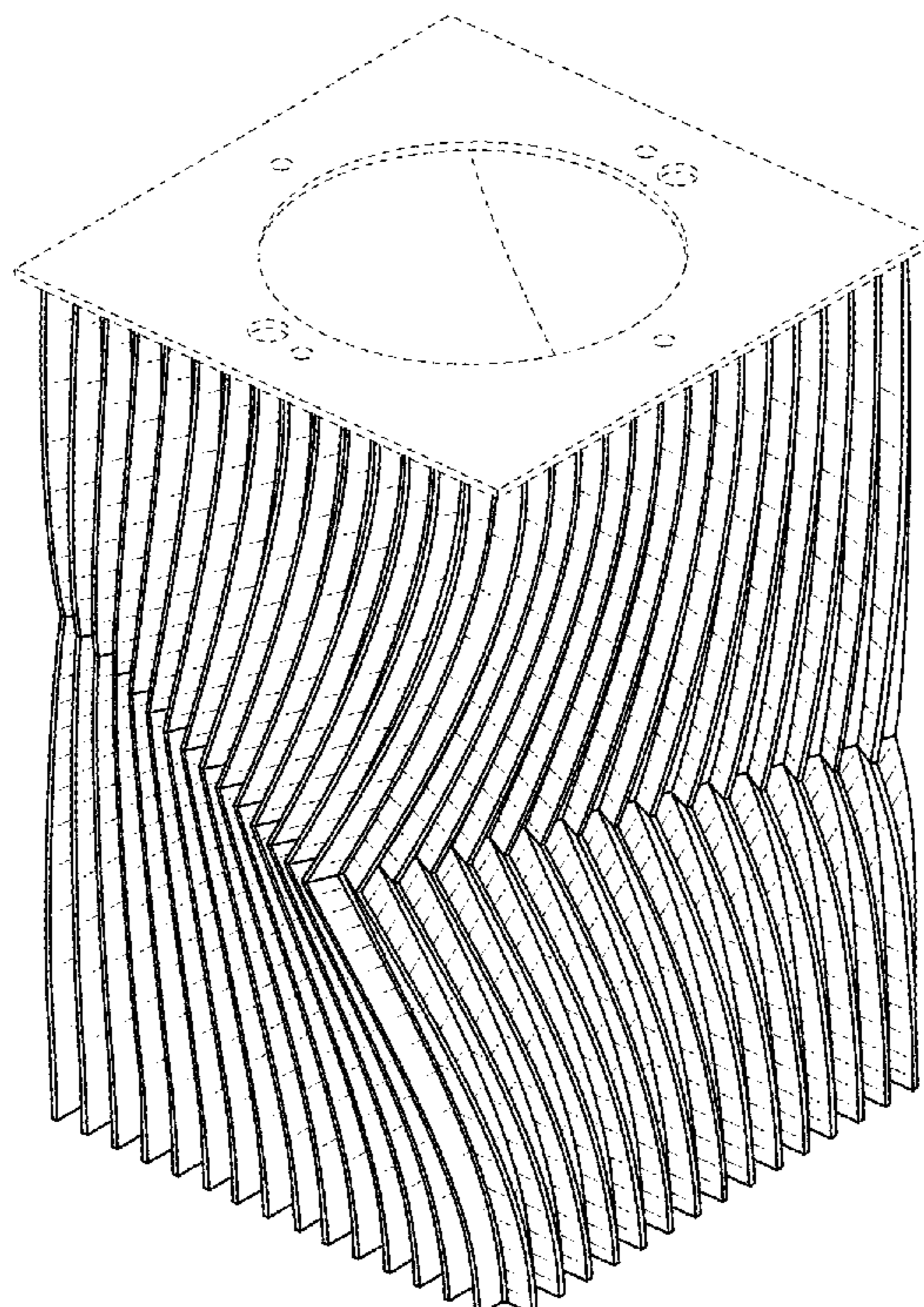
D485,006 S * 1/2004 Huang D26/118
D509,019 S * 8/2005 Castro D26/112
D584,446 S * 1/2009 Sabernig D26/88
D591,895 S * 5/2009 Sabernig D26/105
D612,531 S * 3/2010 Smith D26/137
D632,837 S * 2/2011 Grajcar D26/130
D796,730 S * 9/2017 Sonneman D26/118
D804,713 S * 12/2017 Tsai D26/121
D824,582 S * 7/2018 Luo D26/118
10,036,529 B2 * 7/2018 Swanson F21V 1/04
D864,462 S * 10/2019 Gratton D26/103
2018/0017229 A1 * 1/2018 Swanson F21V 1/143

* cited by examiner
Primary Examiner — Wan Laymon
Assistant Examiner — Clint A Samuel
(74) *Attorney, Agent, or Firm* — Kilpatrick Townsend & Stockton LLP

(57) **CLAIM**
The ornamental design for a lighting diffuser, as shown and described.

DESCRIPTION
FIG. 1 is a top and front perspective view of a lighting diffuser according to the present design;
FIG. 2 is a left-side view thereof, the right-side view, front-side view, and back-side views are identical to the left-side view shown;
FIG. 3 is a top view thereof; and,
FIG. 4 is a bottom view thereof.
The broken lines in the drawings of the lighting diffuser form no part of the claimed design.

1 Claim, 3 Drawing Sheets



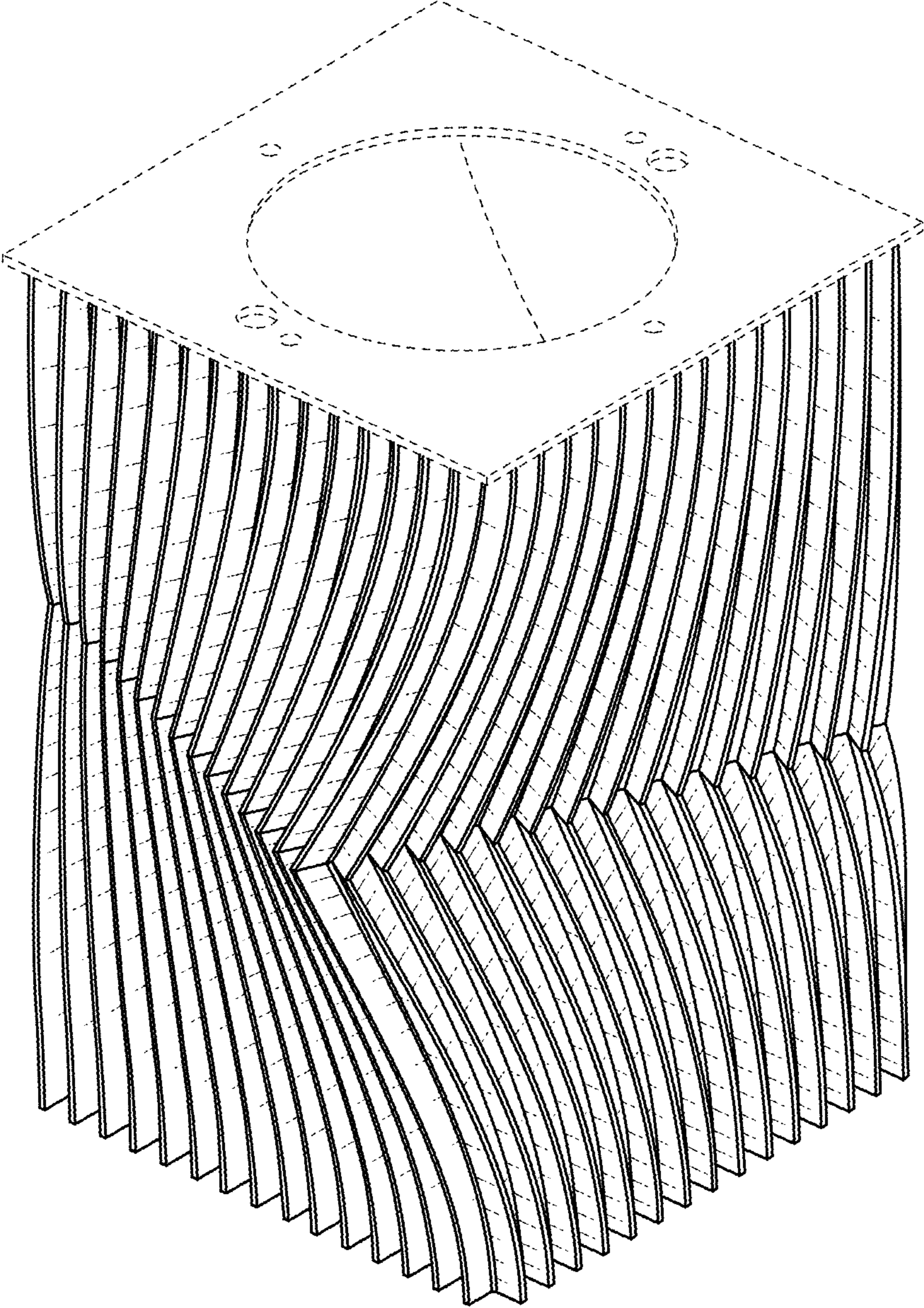


FIG. 1

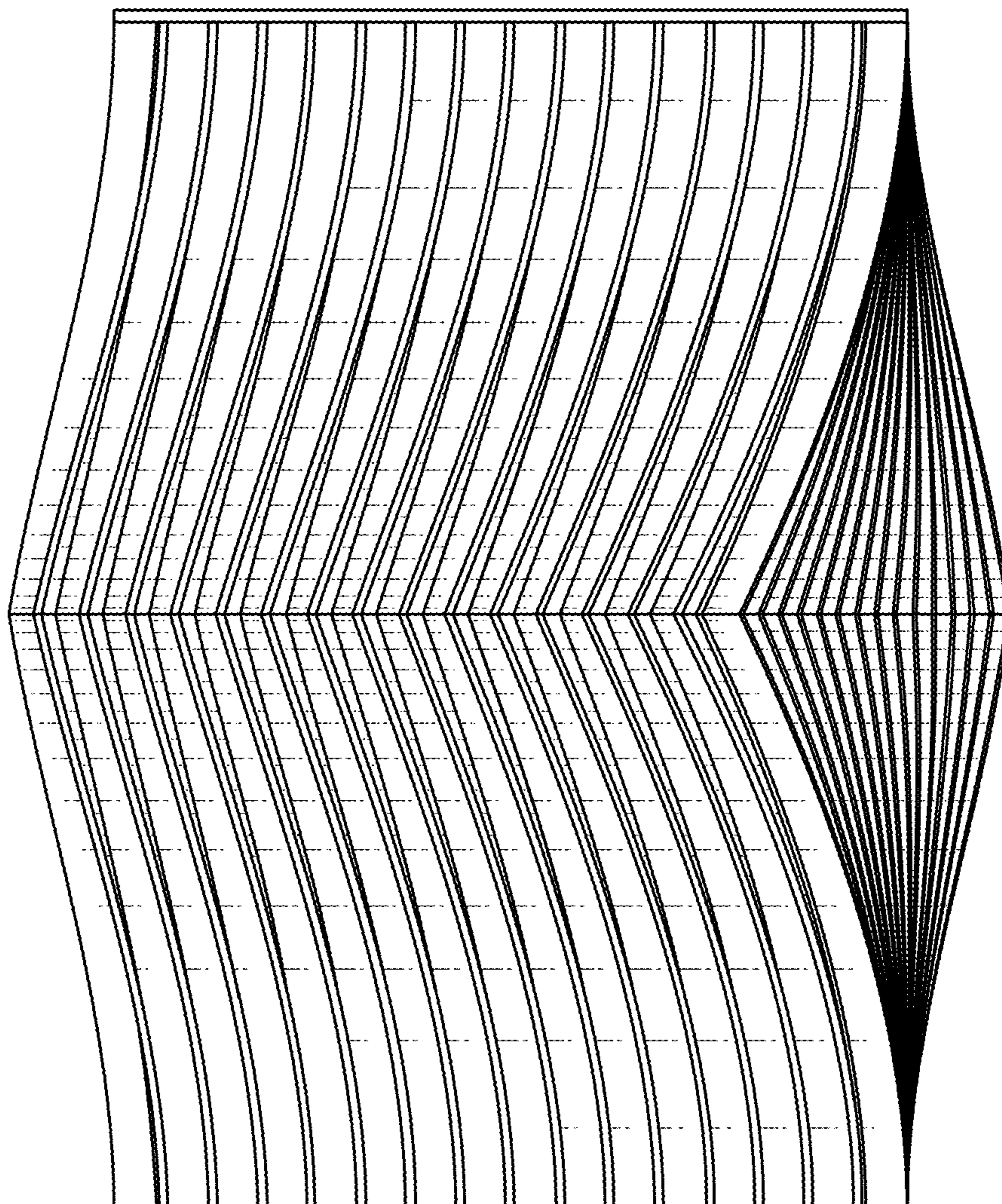


FIG. 2

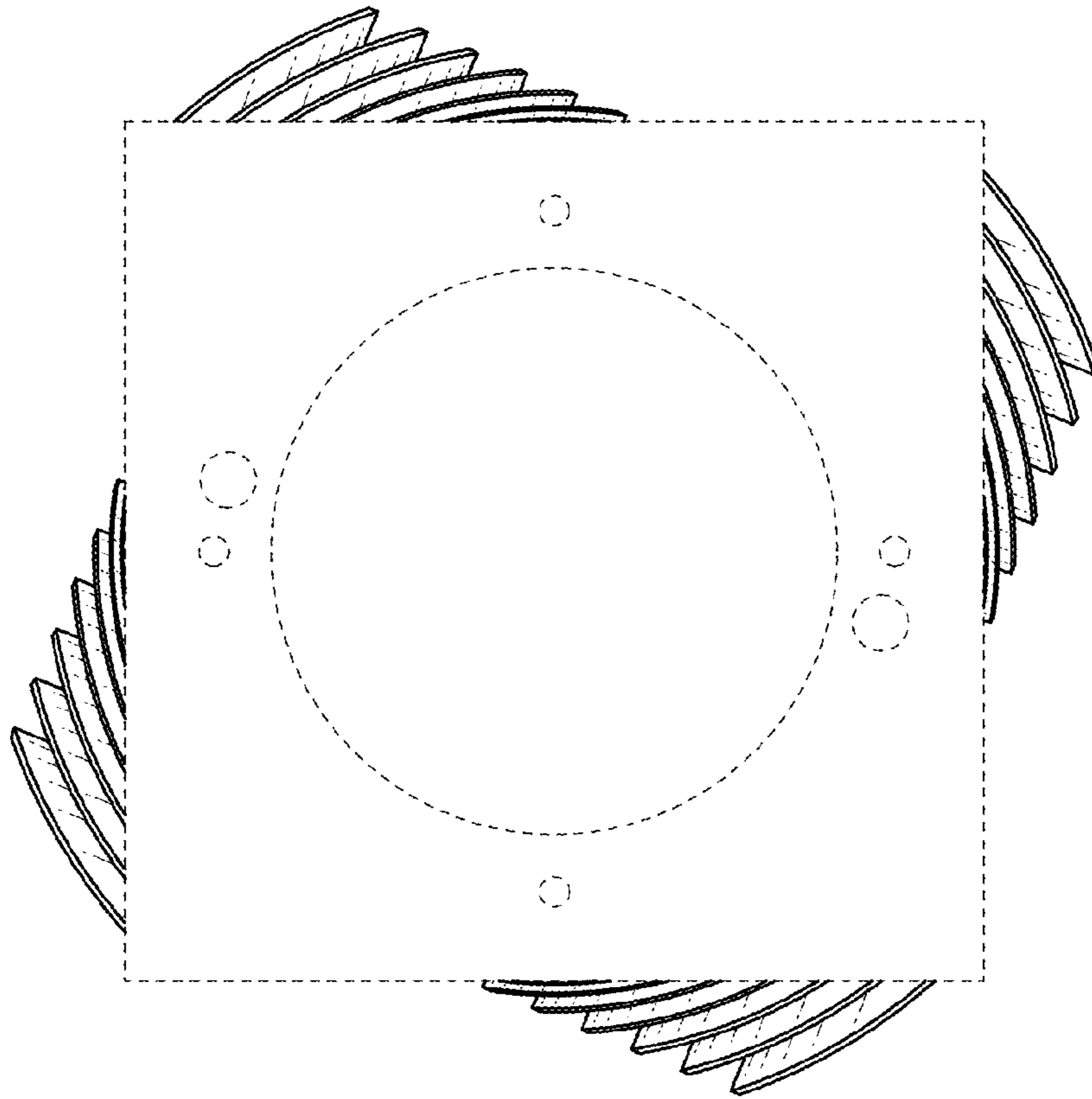


FIG. 3

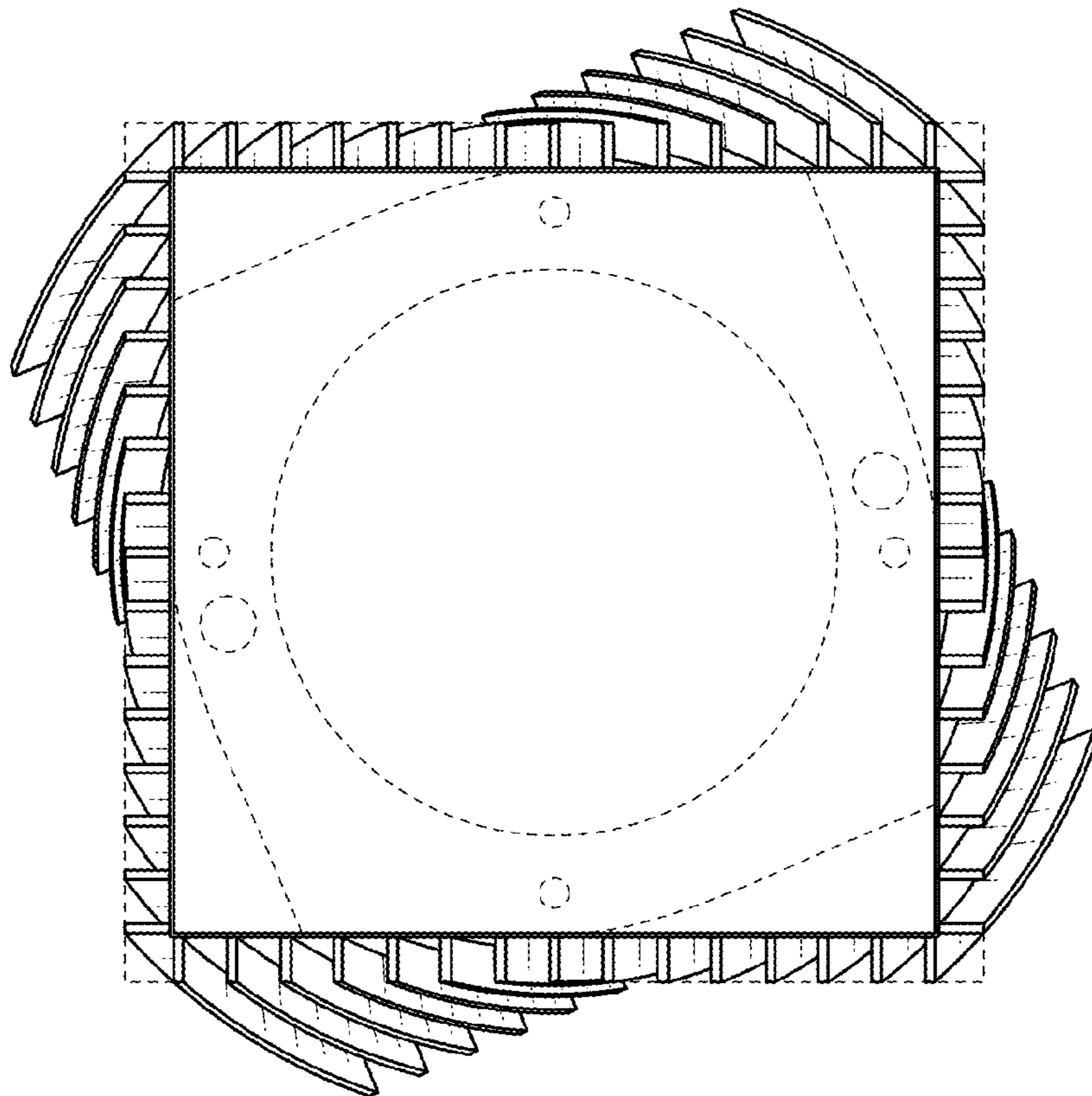


FIG. 4