



US00D928384S

(12) **United States Design Patent** (10) **Patent No.:** **US D928,384 S**
Zeng et al. (45) **Date of Patent:** **** Aug. 17, 2021**

(54) **CABINET LAMP**
(71) Applicant: **Guangdong Jiamolan Electricity Co., Ltd, Zhongshan (CN)**
(72) Inventors: **Lixin Zeng, Ganzhou (CN); Xiang Lou, Jiangmen (CN)**

| | | | | |
|--------------|---------|-------------|-------|--------|
| D880,753 S * | 4/2020 | Ng | | D26/85 |
| D886,356 S * | 6/2020 | Cornelissen | | D26/87 |
| D887,614 S * | 6/2020 | Lin | | D26/85 |
| D906,574 S * | 12/2020 | Jiang | | D26/85 |
| D907,276 S * | 1/2021 | Jiang | | D26/87 |
| D912,879 S * | 3/2021 | Hu | | D26/85 |

(**) Term: **15 Years**
(21) Appl. No.: **29/748,721**
(22) Filed: **Sep. 1, 2020**

(51) **LOC (13) Cl.** **26-03**
(52) **U.S. Cl.**
USPC **D26/89**
(58) **Field of Classification Search**
USPC D26/24, 72, 76, 80, 85, 89, 88, 87
CPC F21S 8/03; F21S 8/036; F21S 8/037; F21S 9/02; F21S 9/024; F21S 9/03; F21S 9/037; F21W 2131/107; G08B 13/19; G08B 13/193

See application file for complete search history.

(56) **References Cited**

U.S. PATENT DOCUMENTS

| | | | | |
|--------------|---------|-----------|-------|--------|
| D348,746 S * | 7/1994 | Herst | | D26/75 |
| D357,997 S * | 5/1995 | Wegrzyn | | D26/72 |
| D563,013 S * | 2/2008 | Levine | | D26/63 |
| D724,776 S * | 3/2015 | Sonneman | | D26/85 |
| D819,868 S * | 6/2018 | Qiao | | D26/87 |
| D820,500 S | 6/2018 | Li et al. | | |
| D830,609 S * | 10/2018 | Sonneman | | D26/87 |
| D864,456 S * | 10/2019 | Lin | | D26/76 |

OTHER PUBLICATIONS

Lighting Ever LED Motion Sensor Closet Lights, ASIN: B0799CQFB2, sold by Lepro US at amazon.com Jan. 24, 2018. (Year: 2018).*
Östanå LED cabinet/wall light, Article No. 802.285.13 from IKEA.com, available as early as Nov. 15, 2017. (Year: 2017).*

* cited by examiner

Primary Examiner — Clare E Heflin

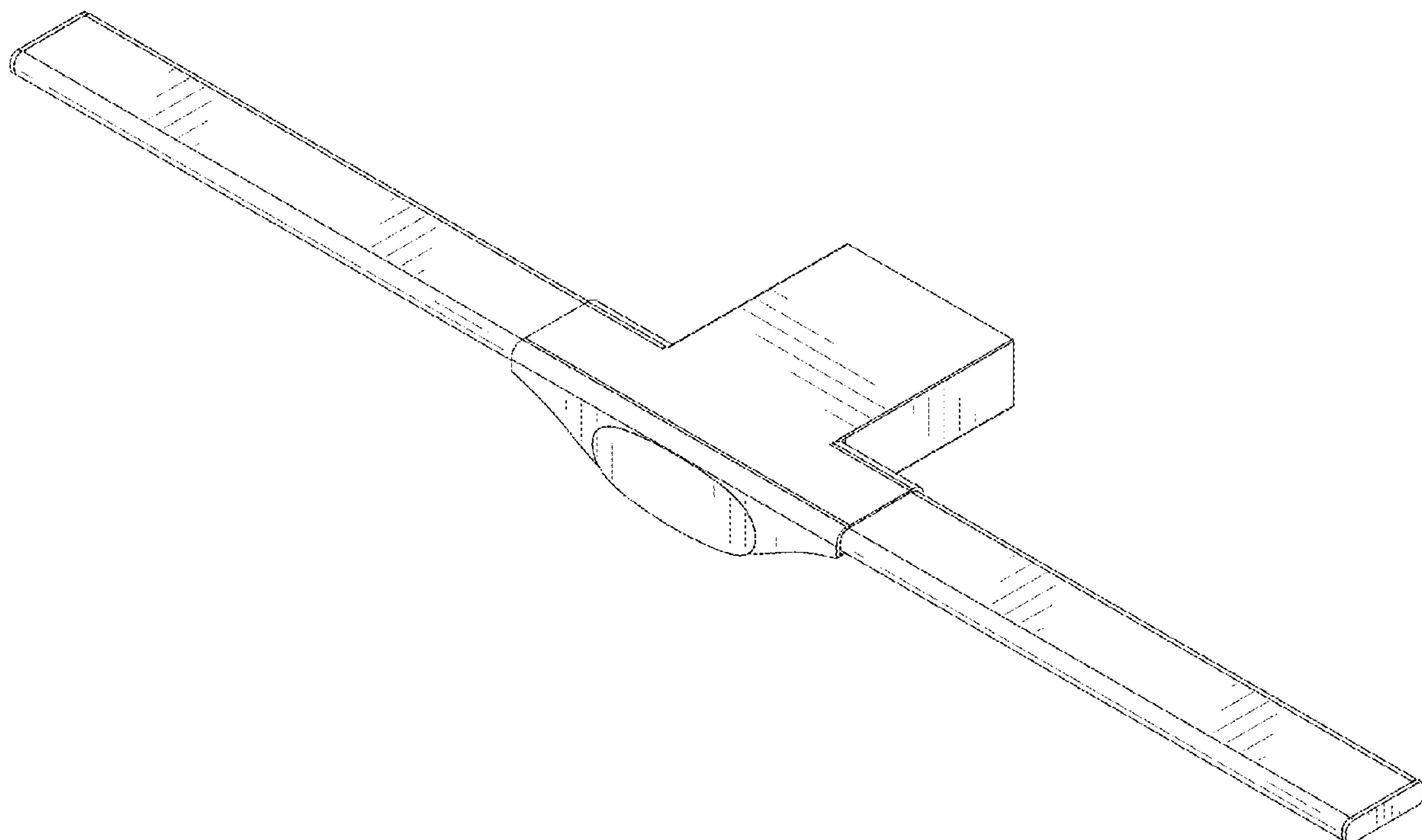
(57) **CLAIM**

The ornamental design for a cabinet lamp, as shown and described.

DESCRIPTION

FIG. 1 is a front and top perspective view of a cabinet lamp, showing our new design;
FIG. 2 is a top plan view thereof;
FIG. 3 is a left side elevational view thereof;
FIG. 4 is a front elevational view thereof;
FIG. 5 is a right side elevational view thereof;
FIG. 6 is a rear elevational view thereof; and,
FIG. 7 is a bottom plan view thereof.
The broken lines depict portions of the cabinet lamp that form no part of the claimed design.

1 Claim, 7 Drawing Sheets



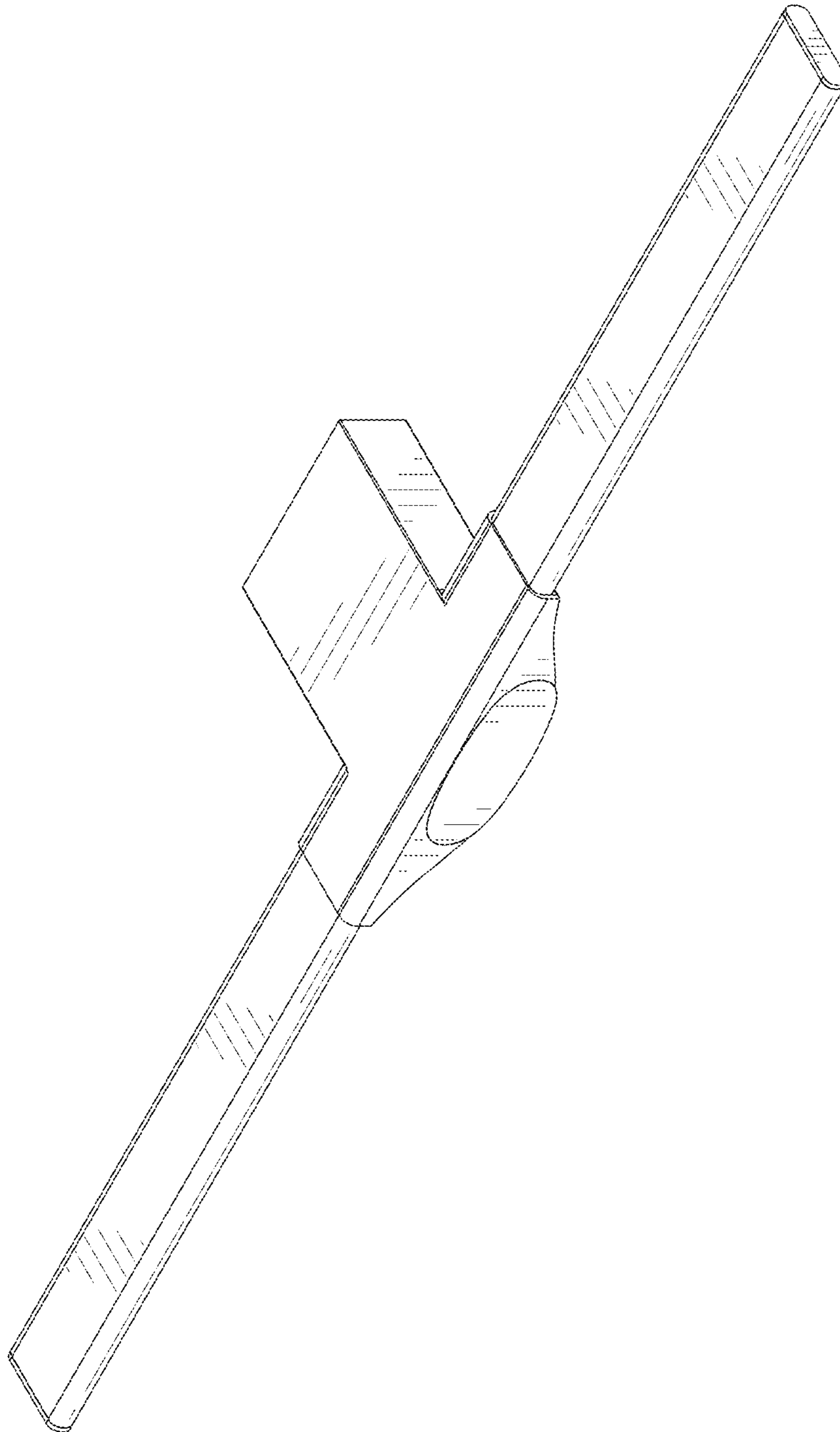


FIG. 1

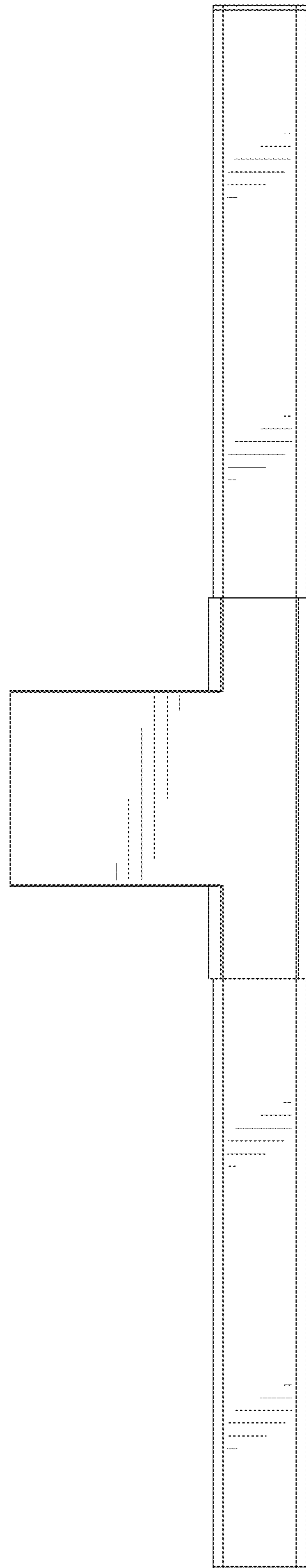


FIG. 2

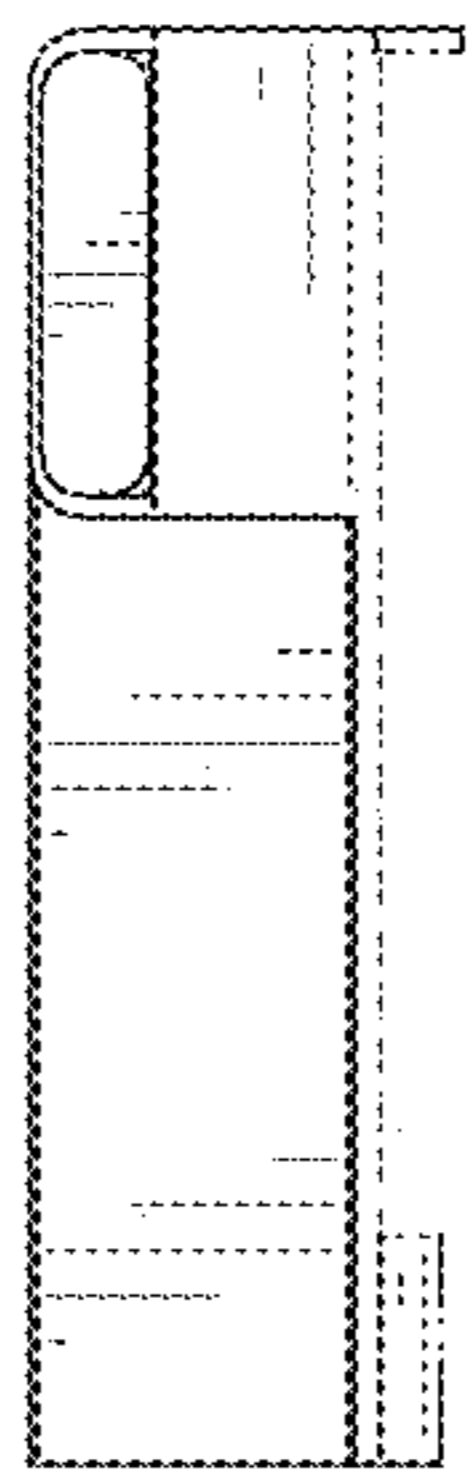


FIG. 3

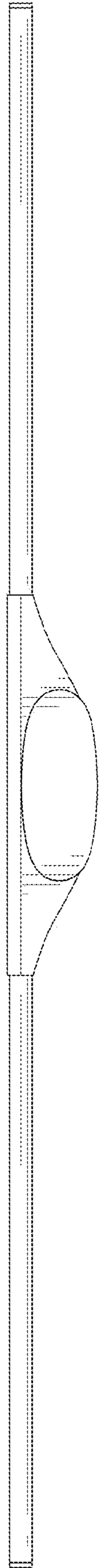


FIG. 4

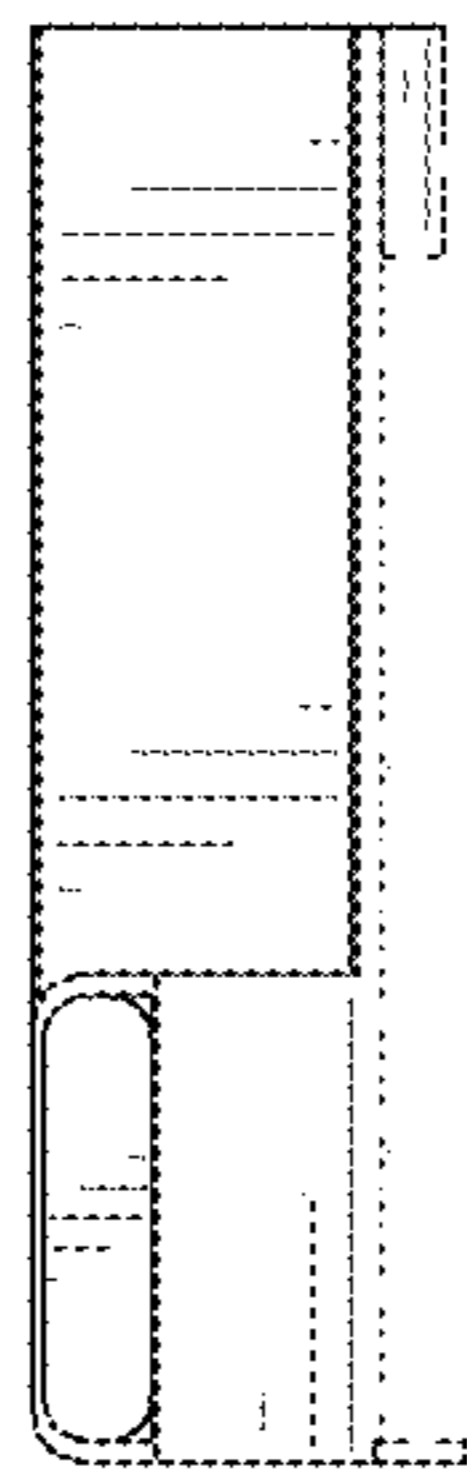


FIG. 5

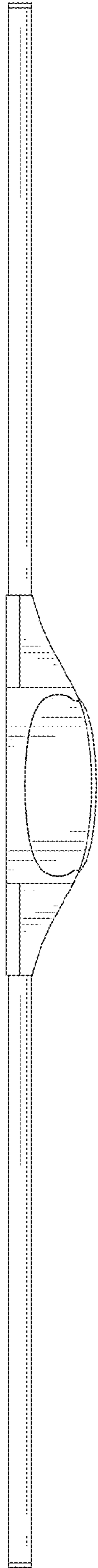


FIG. 6

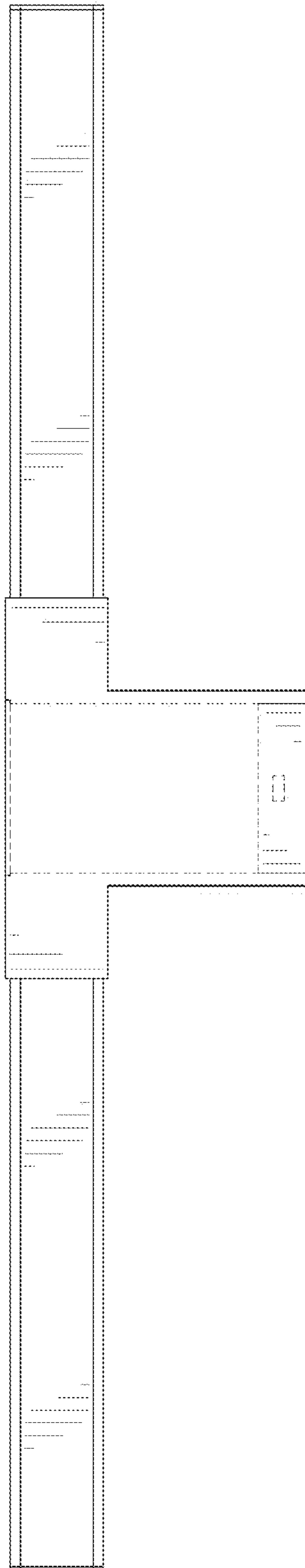


FIG. 7