



US00D928383S

(12) **United States Design Patent**
Ye

(10) **Patent No.:** **US D928,383 S**

(45) **Date of Patent:** **** Aug. 17, 2021**

(54) **SOLAR WALL LIGHT**

(71) Applicant: **Xiamen Ruiyi Electronic Technology Co., Ltd., Xiamen (CN)**

(72) Inventor: **Haitao Ye, Xiamen (CN)**

(73) Assignee: **XIAMEN RUIYI ELECTRONIC TECHNOLOGY CO., LTD., Xiamen (CN)**

(**) Term: **15 Years**

(21) Appl. No.: **29/769,736**

(22) Filed: **Feb. 8, 2021**

(51) **LOC (13) Cl.** **26-03**

(52) **U.S. Cl.**
USPC **D26/85; D26/72**

(58) **Field of Classification Search**
USPC D26/85, 72, 92; D10/106.6, 106.8
CPC F21S 8/03; F21S 8/033; F21S 8/036; F21S 8/037; F21S 9/022; F21S 9/024; F21S 9/03; F21S 9/035; F21S 9/037; F21W 2131/107; G08B 13/193
See application file for complete search history.

(56) **References Cited**

U.S. PATENT DOCUMENTS

- D168,812 S * 2/1953 Ulrick D26/67
- 4,939,359 A * 7/1990 Freeman G01V 8/10
- 250/221
- D580,579 S * 11/2008 Love D26/67
- D586,030 S * 2/2009 Genova D26/85
- D627,916 S * 11/2010 Butteris D26/85
- D806,306 S 12/2017 Yang
- D813,439 S * 3/2018 Hou D26/85

- D829,359 S * 9/2018 Zhang D26/85
- D837,437 S * 1/2019 Liu D26/85
- D842,526 S * 3/2019 Zhuo D26/85
- D847,398 S 4/2019 Chen
- D870,952 S * 12/2019 Tan D26/85
- D875,992 S * 2/2020 Khubani D26/85
- D895,881 S * 9/2020 Mai D26/85
- D917,759 S * 4/2021 Zhou D26/72

OTHER PUBLICATIONS

EZBASICS Solar Lights Outdoor 56 LED, ASIN: B07P331HDG, available at amazon.com Feb. 19, 2019. (Year: 2019).*
Joom Solar Motion Sensor Light, Model: D97735 from joom.com visited May 13, 2021. <<https://www.joom.com/en/products/5ddd155d8b451301011574b5>>(Year: 2021).*

* cited by examiner

Primary Examiner — Clare E Heflin

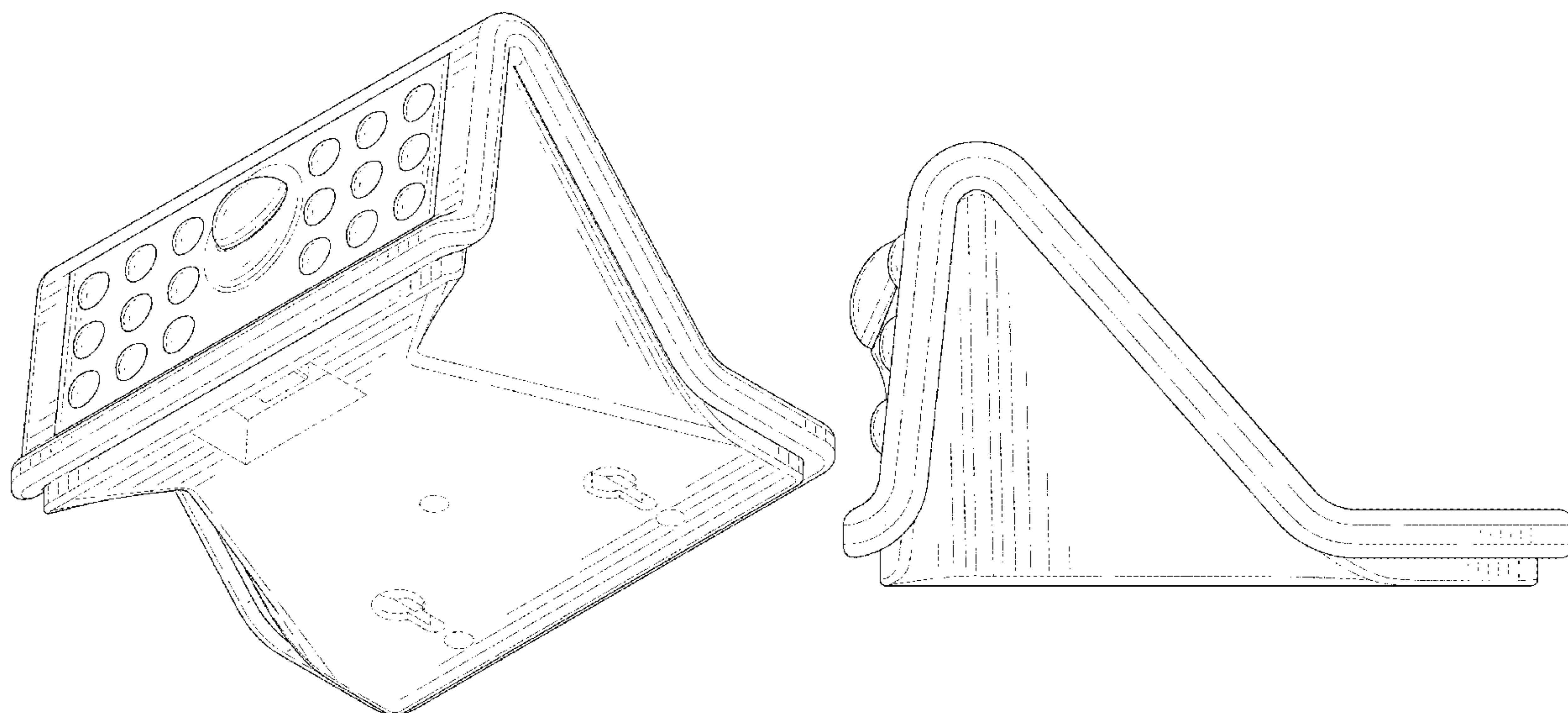
(57) **CLAIM**

The ornamental design for a solar wall light, as shown and described.

DESCRIPTION

FIG. 1 is a bottom perspective view of the solar wall light showing my new design;
FIG. 2 is a top perspective view thereof;
FIG. 3 is a top plan view thereof;
FIG. 4 is a bottom plan view thereof;
FIG. 5 is a left side elevation view thereof;
FIG. 6 is a right side elevation view thereof;
FIG. 7 is a front elevation view thereof; and,
FIG. 8 is a rear elevation view thereof.
The broken lines in the drawings are for the purpose of illustrating portions of the solar wall light that form no part of the claimed design.

1 Claim, 8 Drawing Sheets



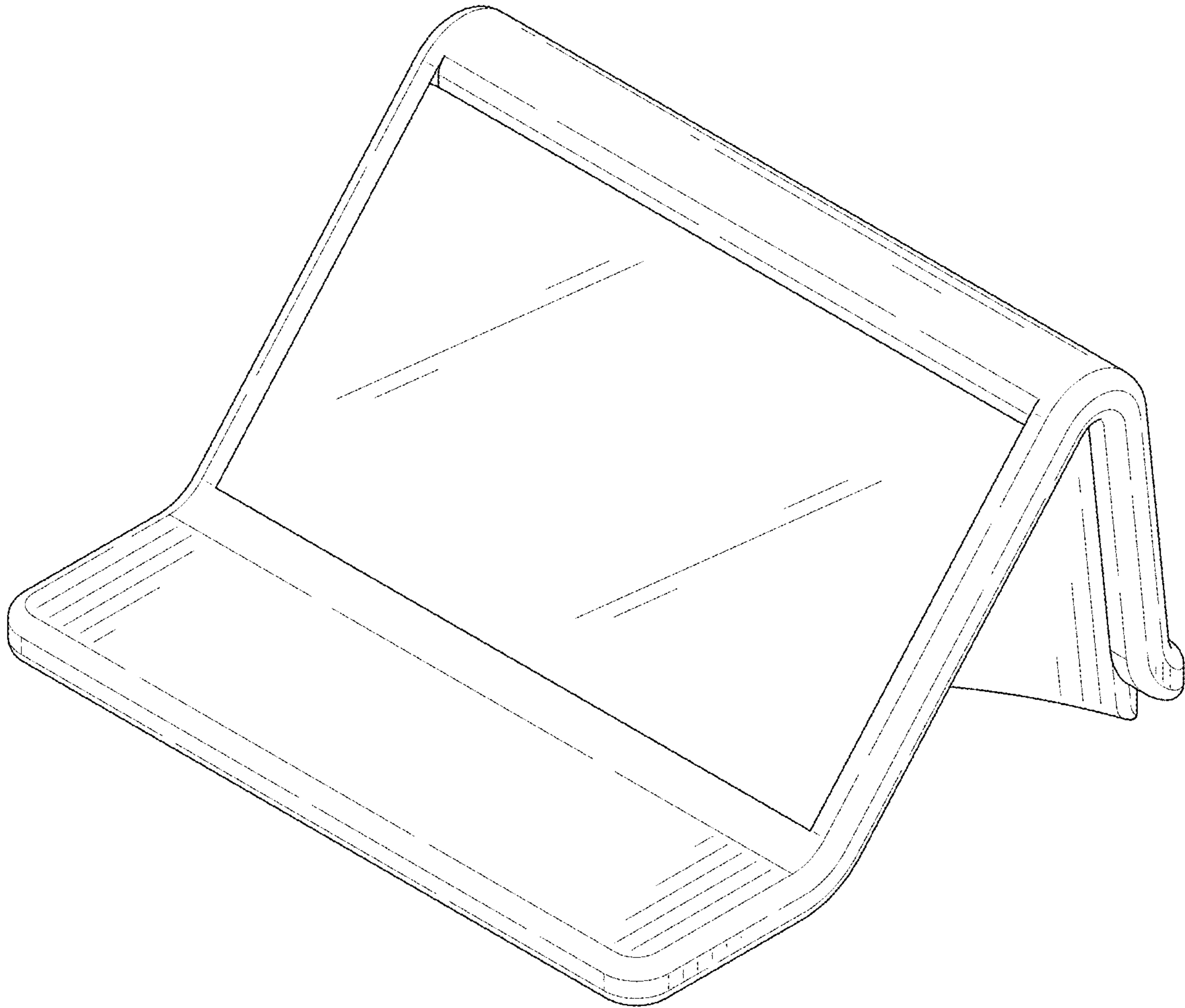


FIG. 1

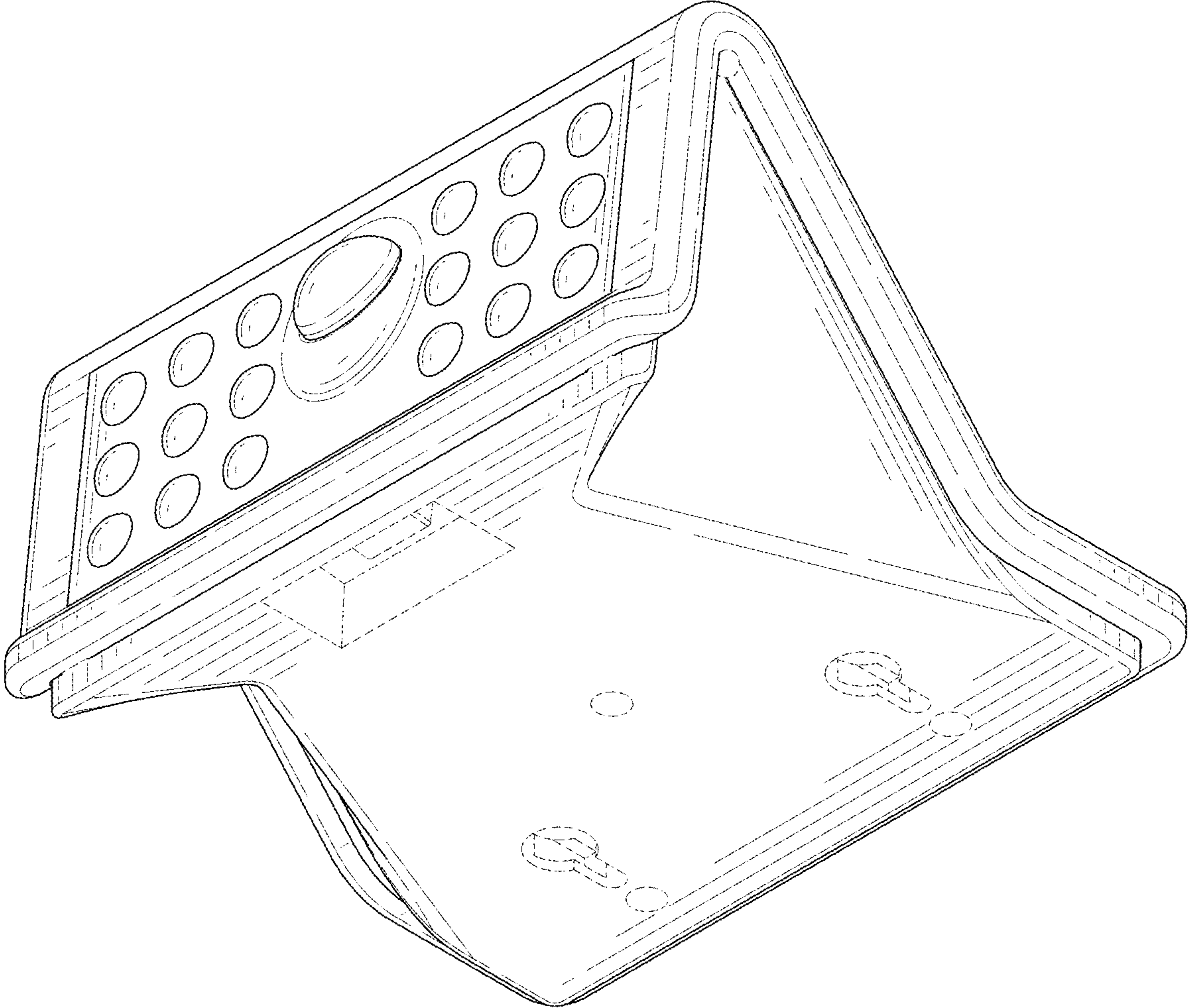


FIG. 2

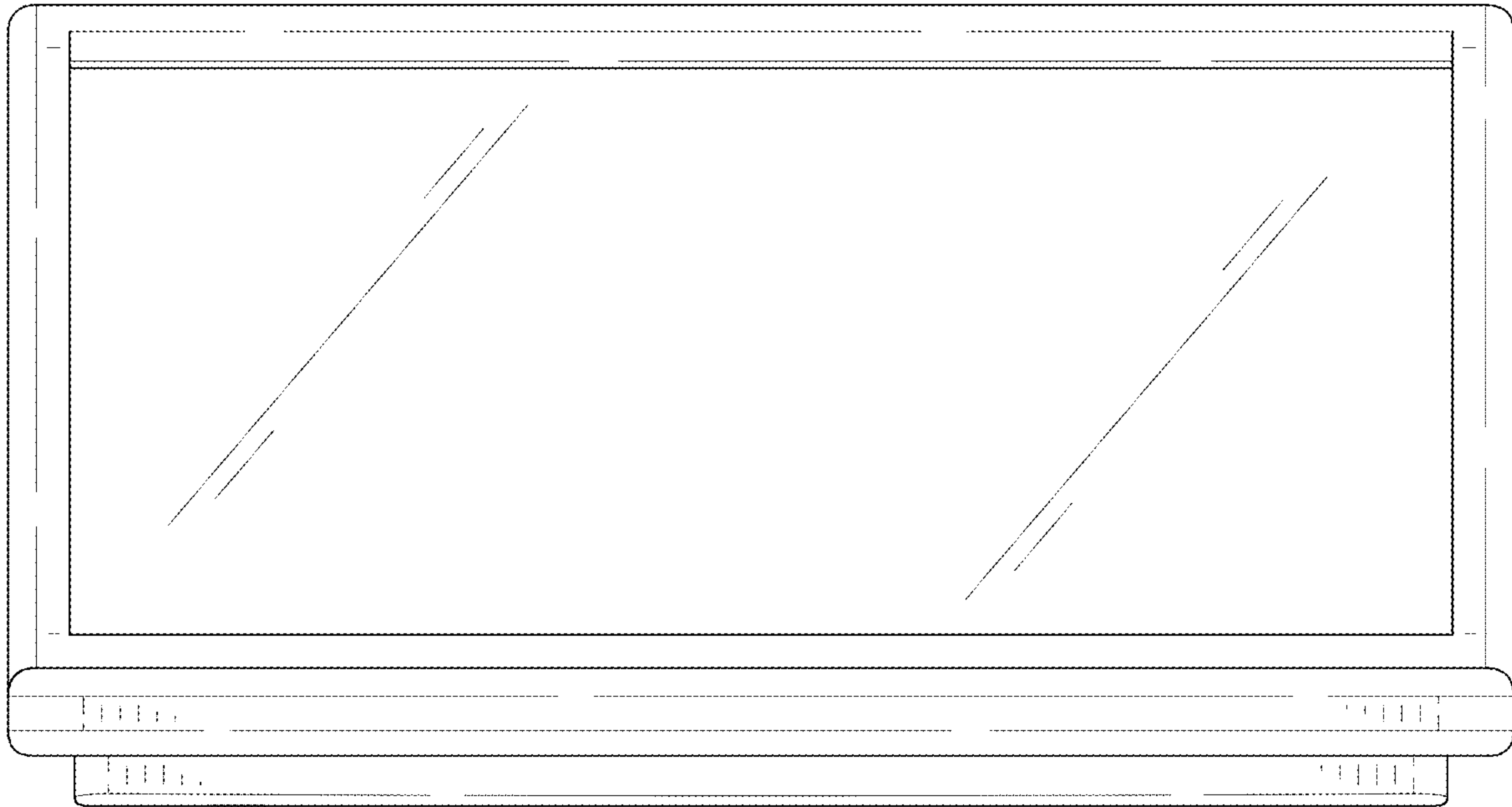


FIG. 3

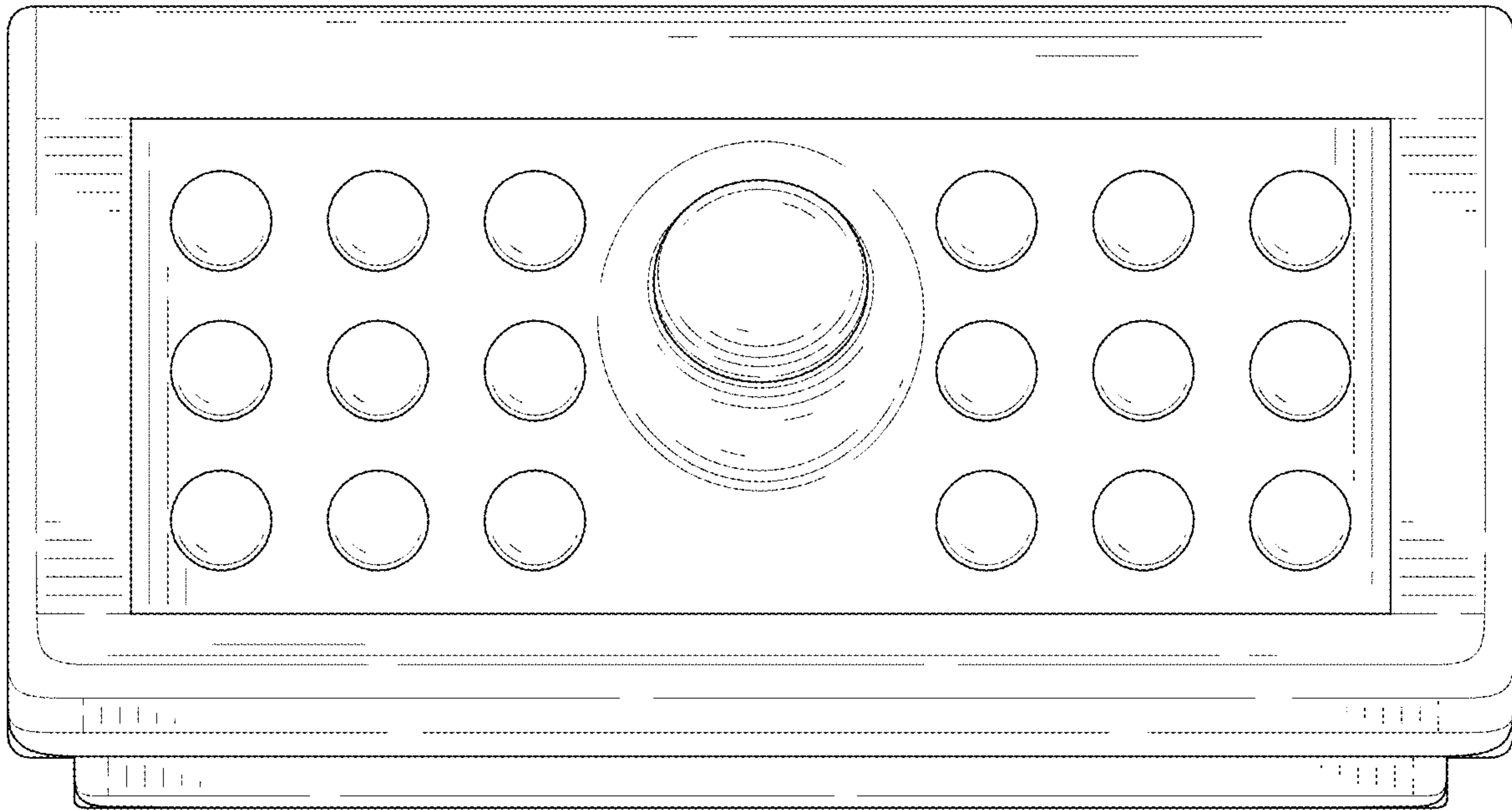


FIG. 4

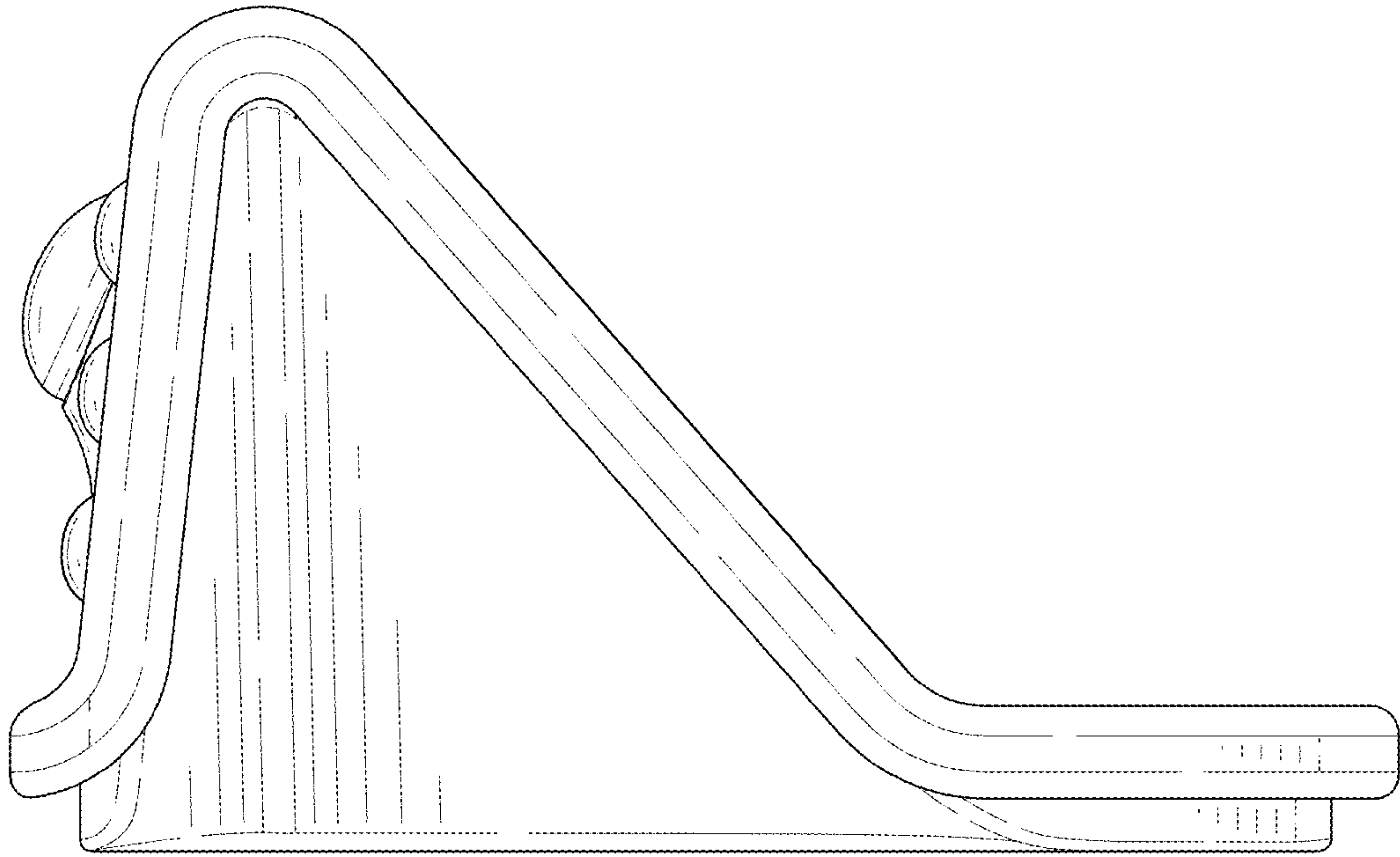


FIG. 5

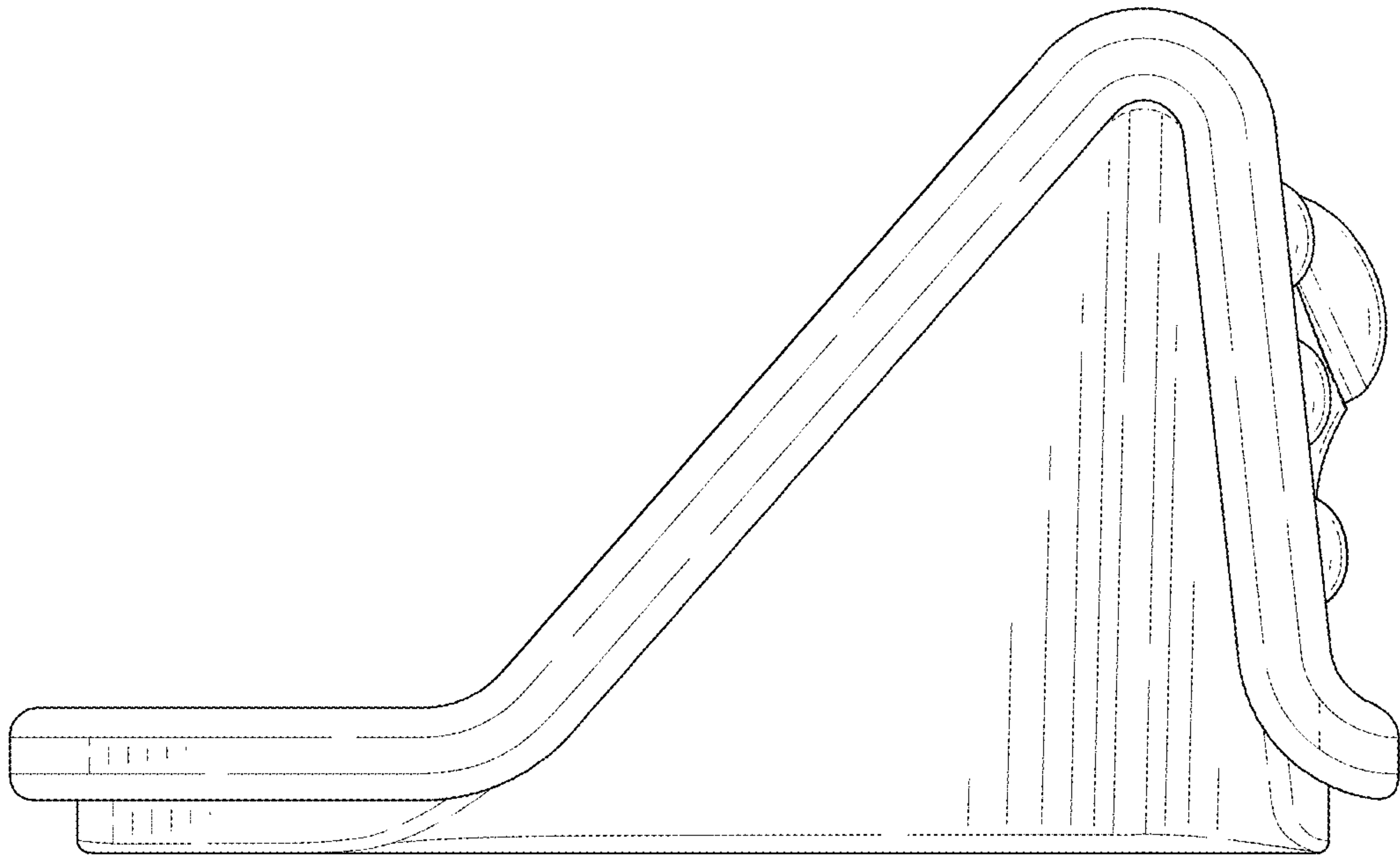


FIG. 6

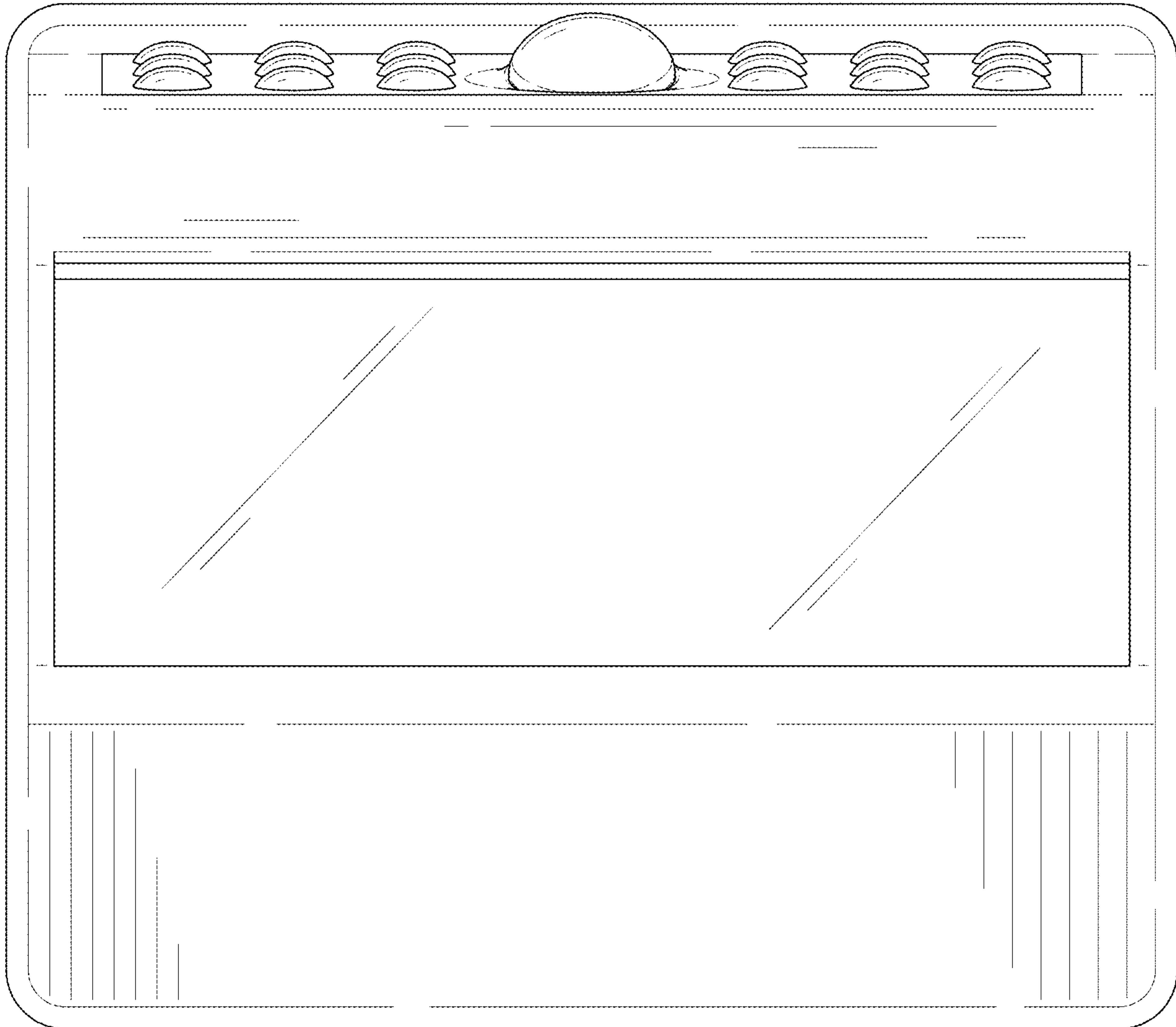


FIG. 7

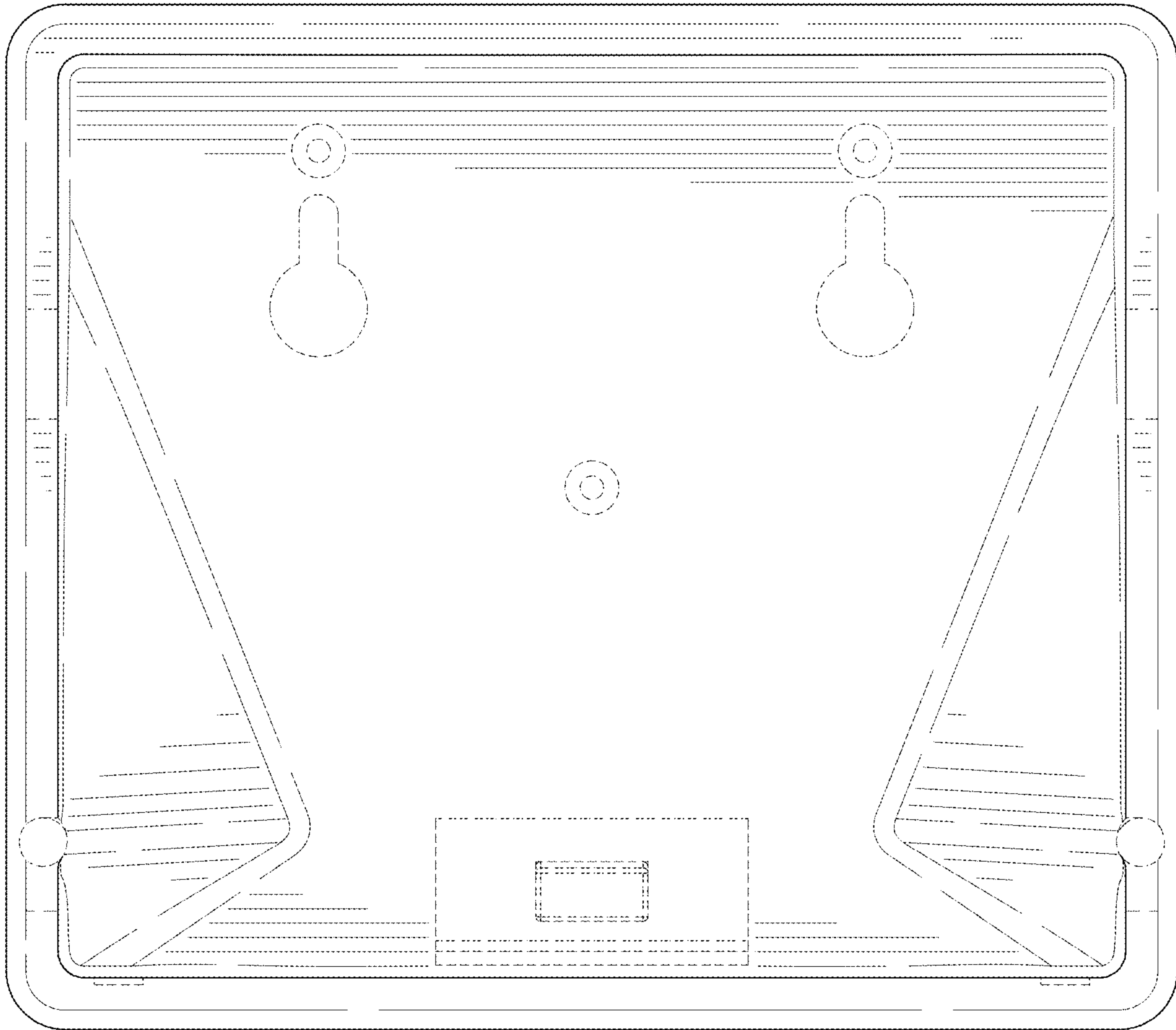


FIG. 8