



US00D928378S

(12) **United States Design Patent** (10) **Patent No.:** **US D928,378 S**
Recker et al. (45) **Date of Patent:** **** Aug. 17, 2021**

(54) **FLOOD LIGHT**

(71) Applicant: **Amazon Technologies, Inc.**, Seattle, WA (US)

(72) Inventors: **Michael V. Recker**, Gaithersburg, MD (US); **Ryan D. Hruska**, North Royalton, OH (US); **Christopher Loew**, Palo Alto, CA (US); **Alexsandra M. Bowers**, Mayfield, OH (US); **David B. Levine**, Pepper Pike, OH (US)

(73) Assignee: **A9.Com, Inc.**, Palo Alto, CA (US)

(**) Term: **15 Years**

(21) Appl. No.: **29/741,691**

(22) Filed: **Jul. 15, 2020**

Related U.S. Application Data

(63) Continuation of application No. 29/711,877, filed on Nov. 4, 2019, now Pat. No. Des. 894,461, which is a continuation of application No. 29/632,500, filed on Jan. 8, 2018, now Pat. No. Des. 869,720.

(51) **LOC (13) Cl.** **26-03**

(52) **U.S. Cl.**
USPC **D26/63**

(58) **Field of Classification Search**
USPC D26/24, 51, 61, 63, 65, 72, 80
CPC F21S 8/04; F21S 8/00; F21V 21/00; F21V 17/02; F21V 14/02; F21V 21/30; F21V 21/14; F21V 21/26; F21W 2131/10
See application file for complete search history.

(56) **References Cited**

U.S. PATENT DOCUMENTS

5,258,899 A 11/1993 Chen
5,381,323 A 1/1995 Osteen et al.
D361,149 S 8/1995 Wedell
5,649,761 A 7/1997 Sandell et al.

D441,113 S 4/2001 Small et al.
D713,579 S 9/2014 Chen
D713,581 S 9/2014 Chen
D713,582 S 9/2014 Liang
D735,927 S * 8/2015 Lee D26/120
D742,053 S 10/2015 Sussman
D745,201 S 12/2015 Lee
D764,700 S * 8/2016 Chen D26/118
D765,901 S 9/2016 Chen
D774,231 S 12/2016 Recker et al.

(Continued)

OTHER PUBLICATIONS

The Korean Office Action dated Apr. 17, 2019 for Korean Patent Application No. 30-2018-31147, a counterpart of U.S. Appl. No. 29/632,500, 2 pages.

Primary Examiner — Brian N. Vinson

(74) *Attorney, Agent, or Firm* — Lee & Hayes, P.C.

(57) **CLAIM**

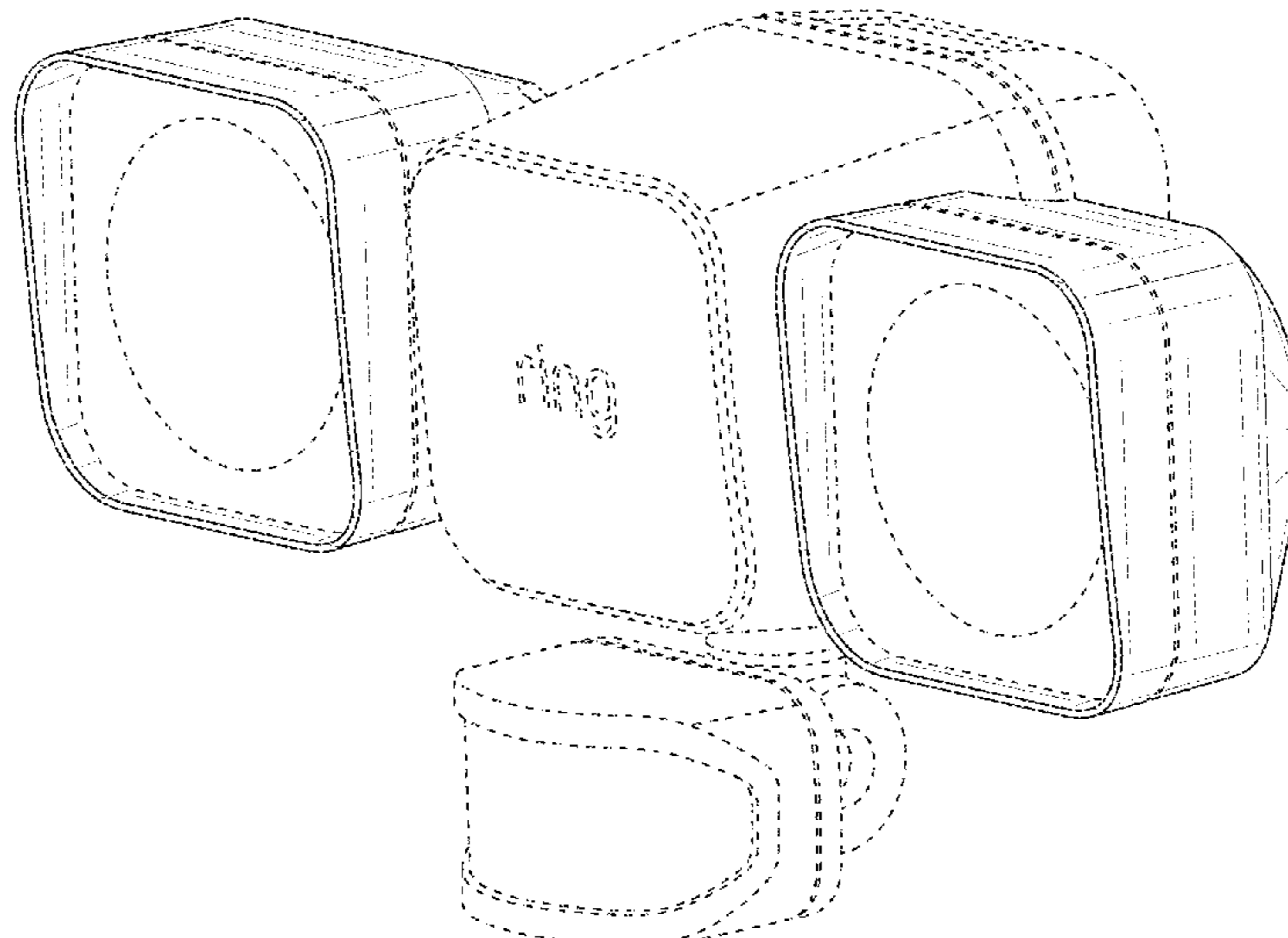
The ornamental design for a flood light, as shown and described.

DESCRIPTION

FIG. 1 is a front, right, top perspective view of a flood light showing our new design;
FIG. 2 is a back, left, bottom perspective view;
FIG. 3 is a front, left, bottom perspective view thereof;
FIG. 4 is a back, right, top perspective view thereof;
FIG. 5 is a front elevation view thereof;
FIG. 6 is a back elevation view thereof;
FIG. 7 is a left side view thereof;
FIG. 8 is a right side view thereof;
FIG. 9 is a top plan view thereof; and,
FIG. 10 is a bottom plan view thereof.

The dashed broken lines depict portions of the flood light that form no part of the claimed design. The dot-dashed broken lines represent boundaries of the claimed flood light and form no part of the claimed design.

1 Claim, 10 Drawing Sheets



(56)

References Cited

U.S. PATENT DOCUMENTS

D835,335 S * 12/2018 Paredes F21V 21/29
D26/120
10,145,548 B2 * 12/2018 Chen F21V 21/30
D866,036 S * 11/2019 Tan D26/63
D908,262 S * 1/2021 Dai D26/63

* cited by examiner

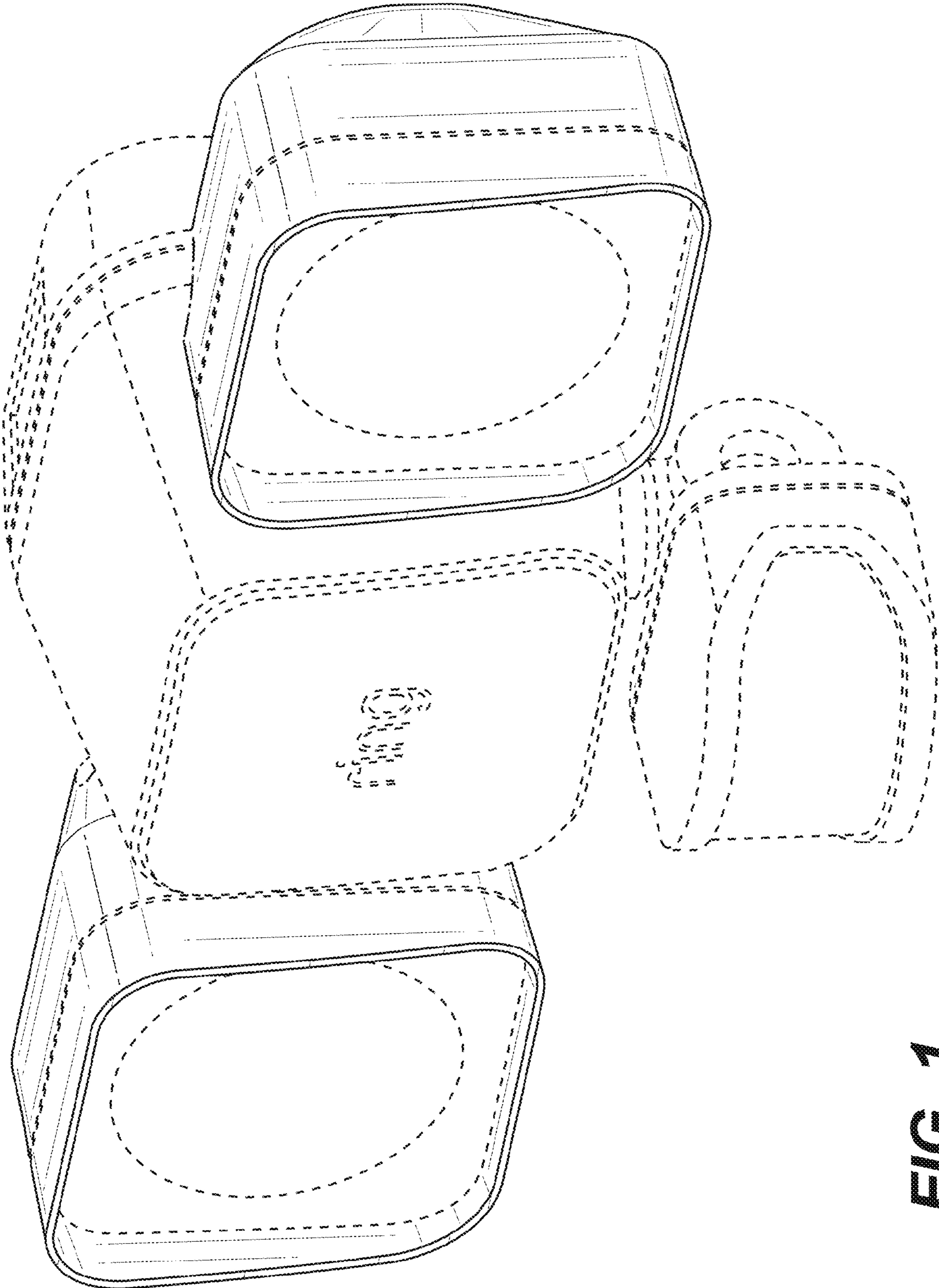
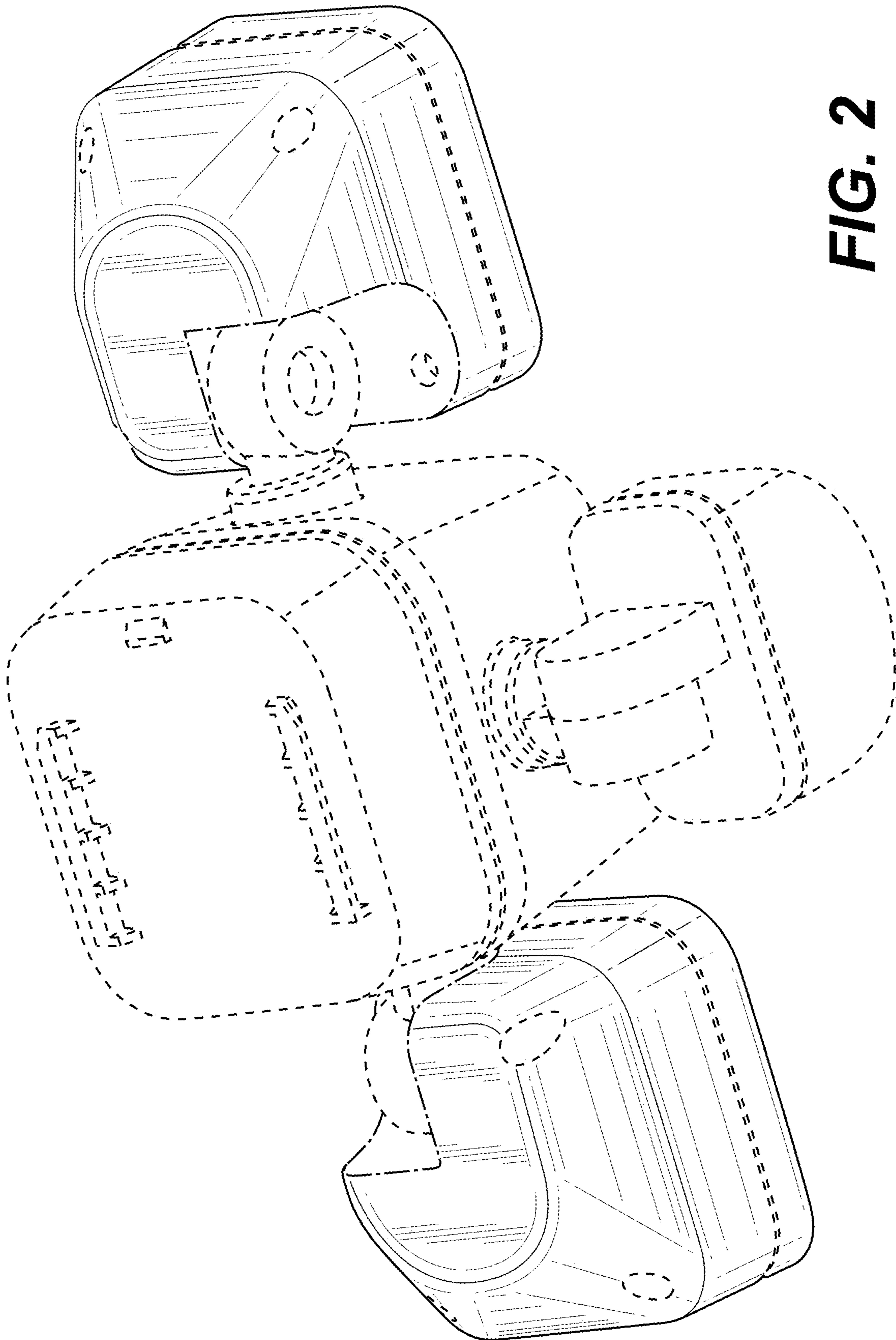


FIG. 1



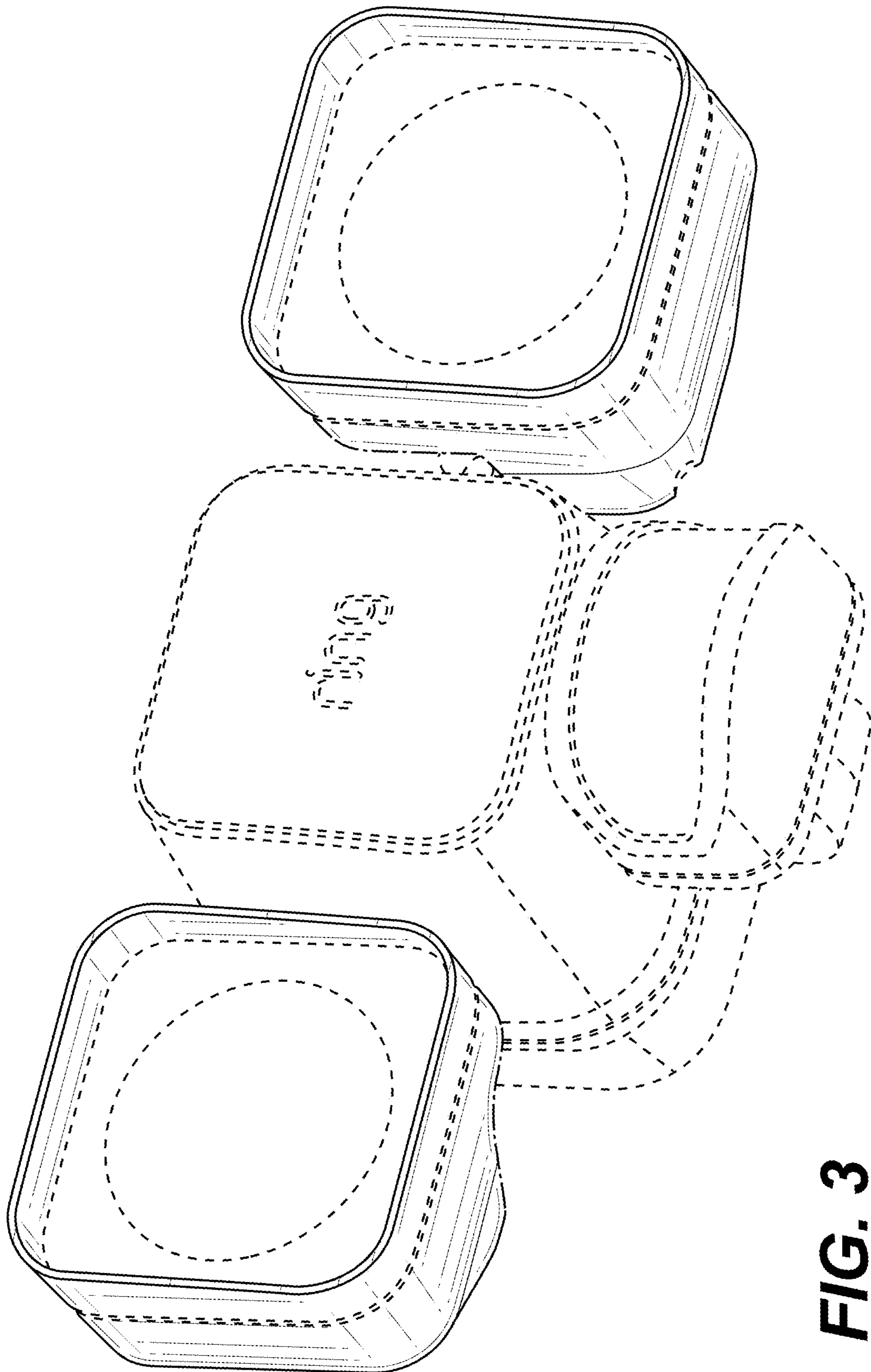


FIG. 3

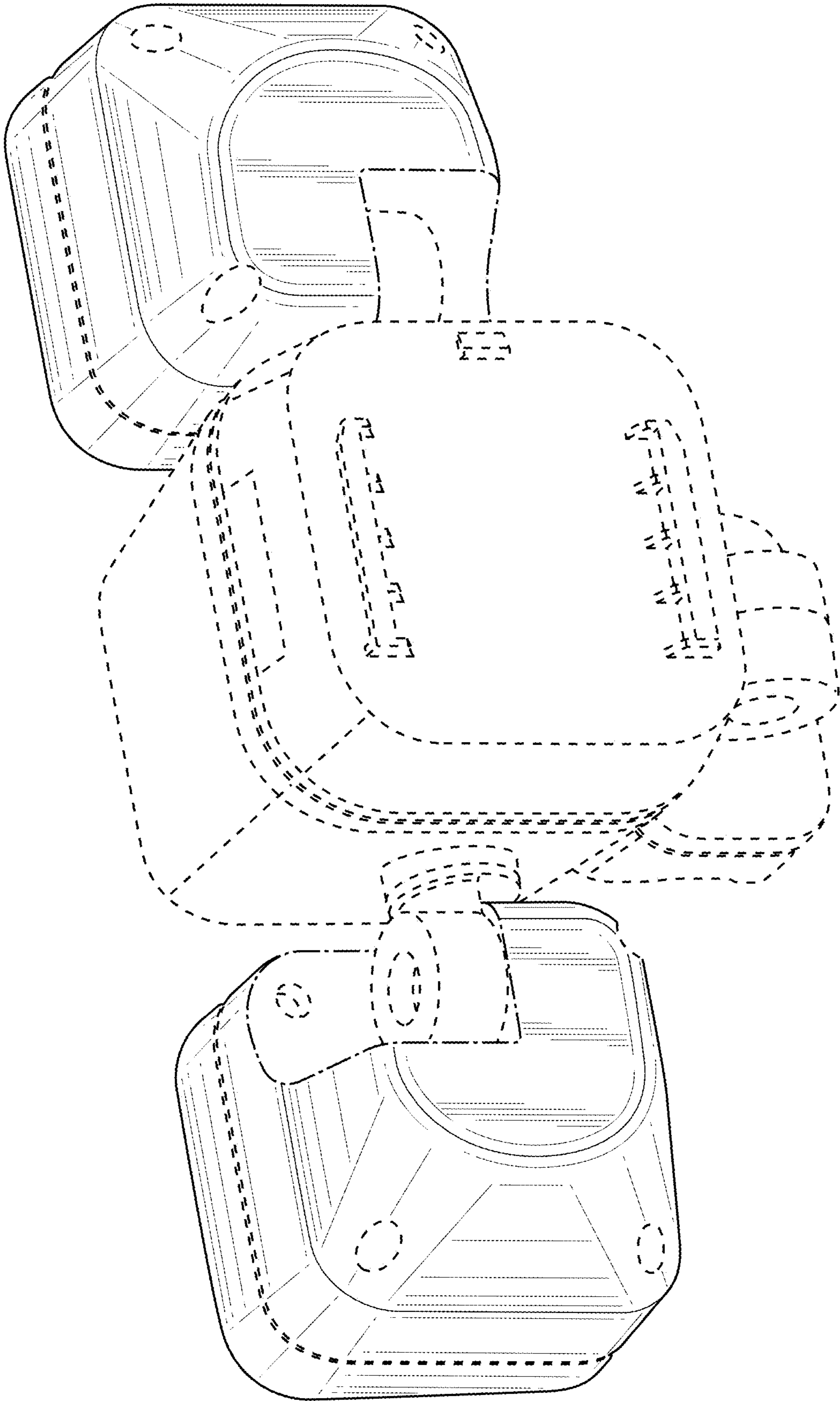


FIG. 4

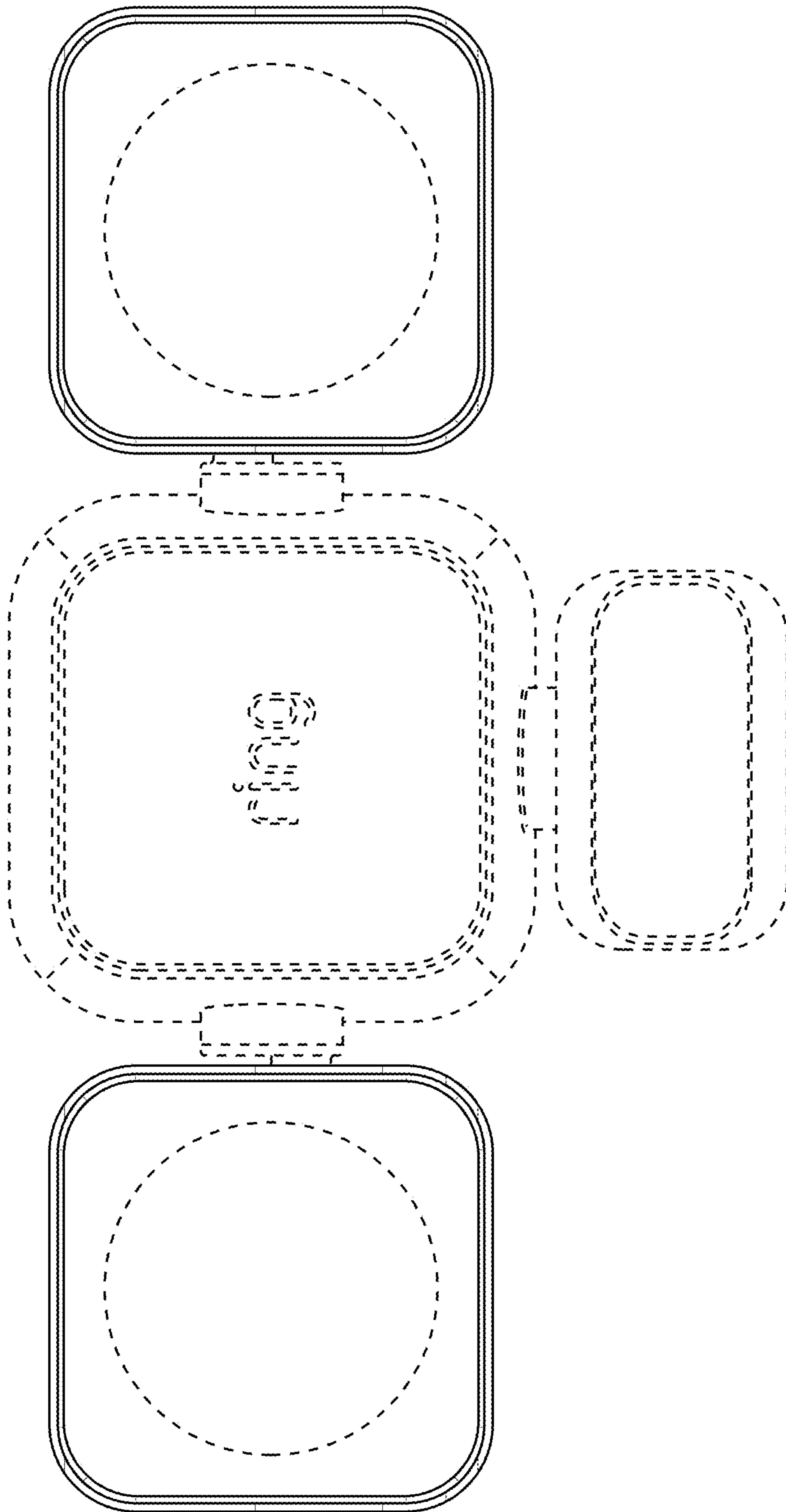


FIG. 5

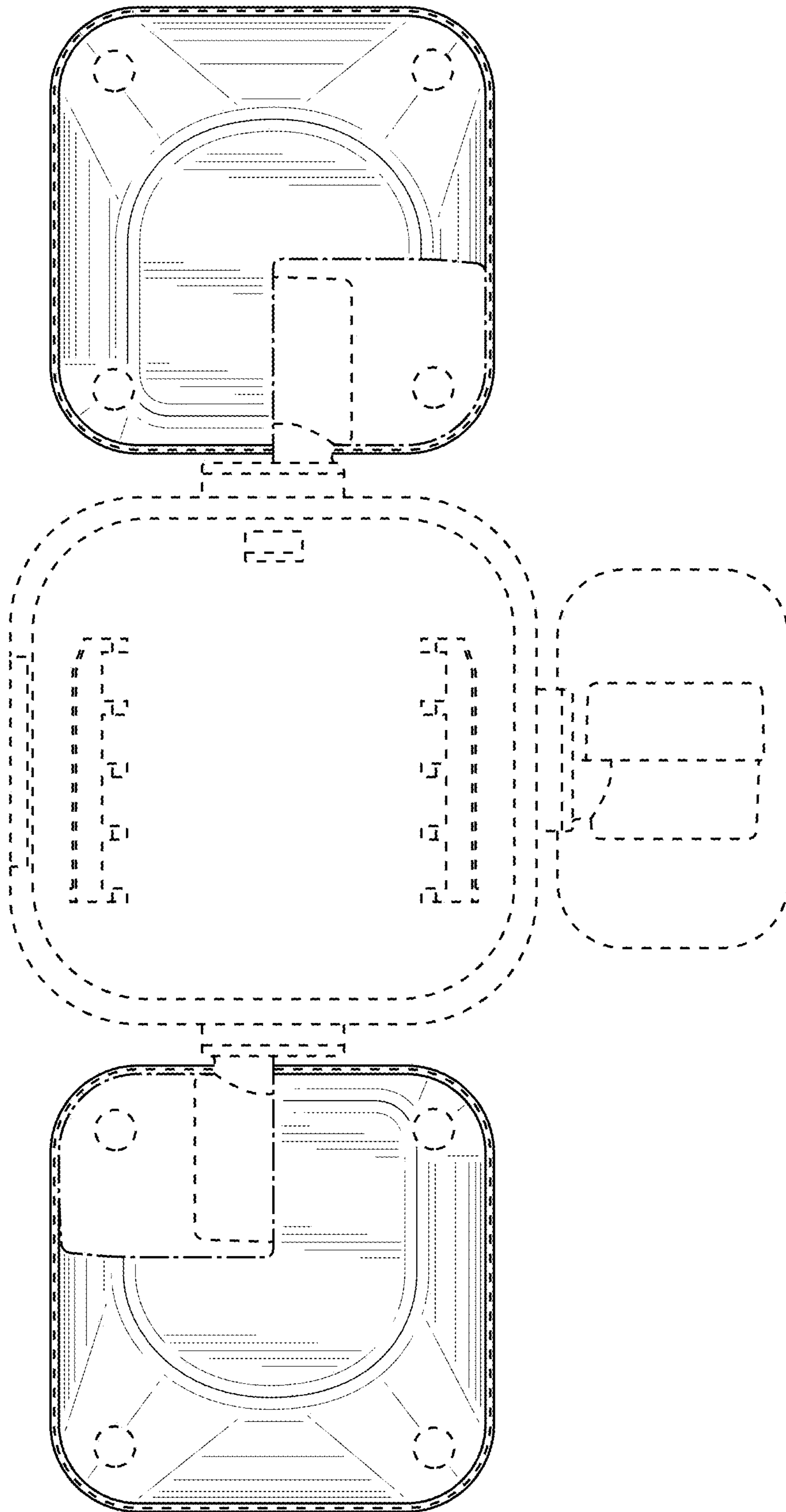


FIG. 6

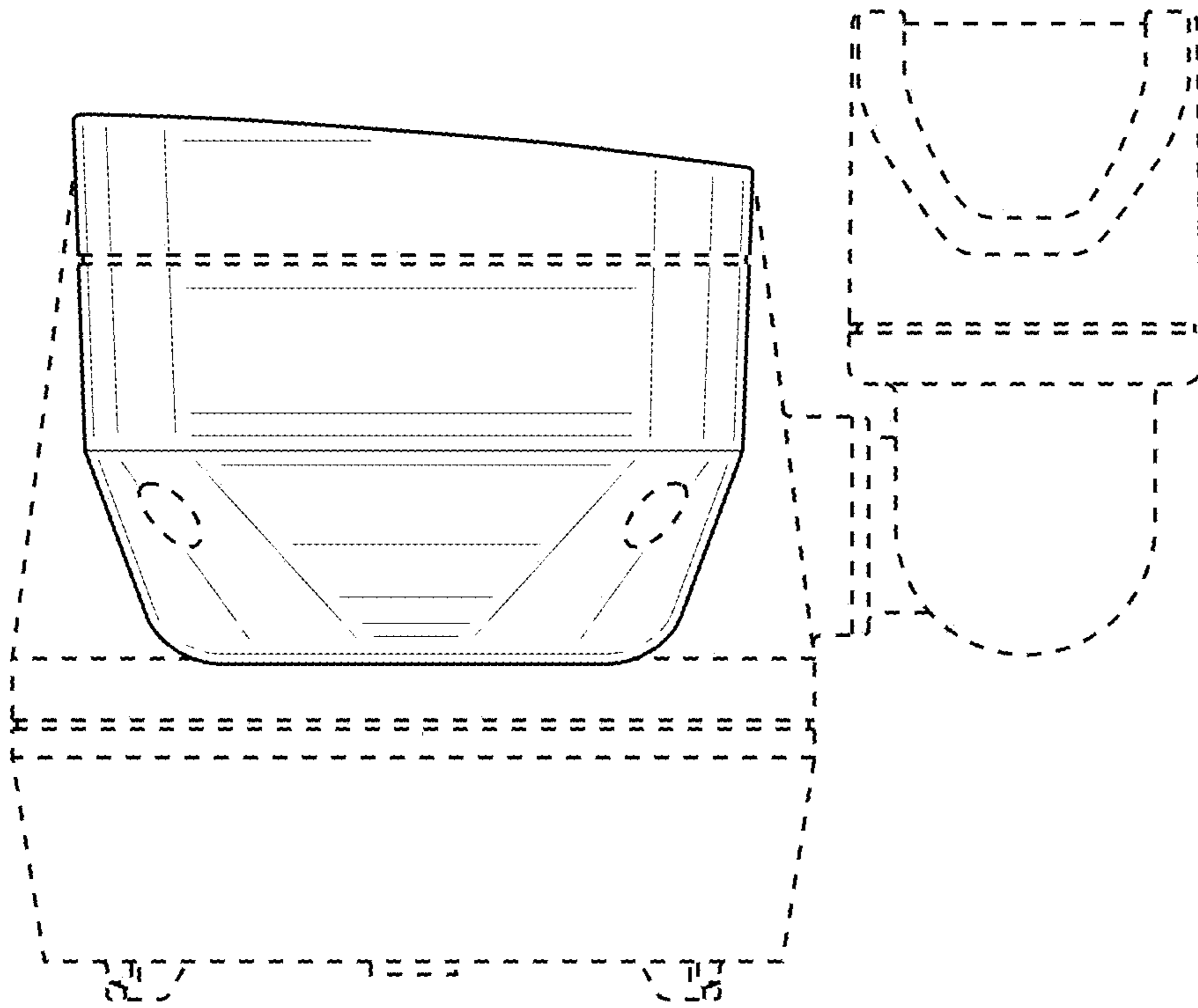


FIG. 7

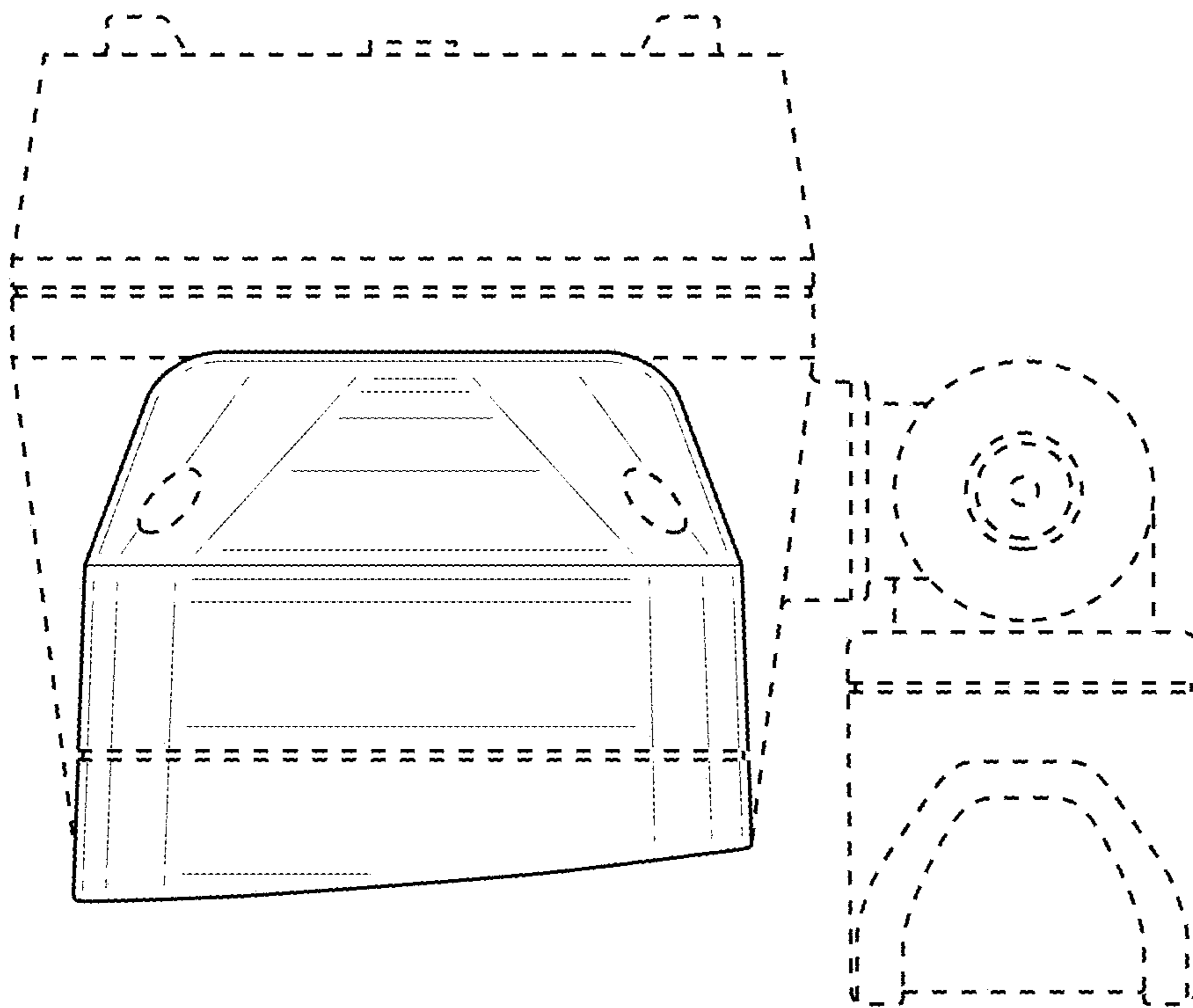


FIG. 8

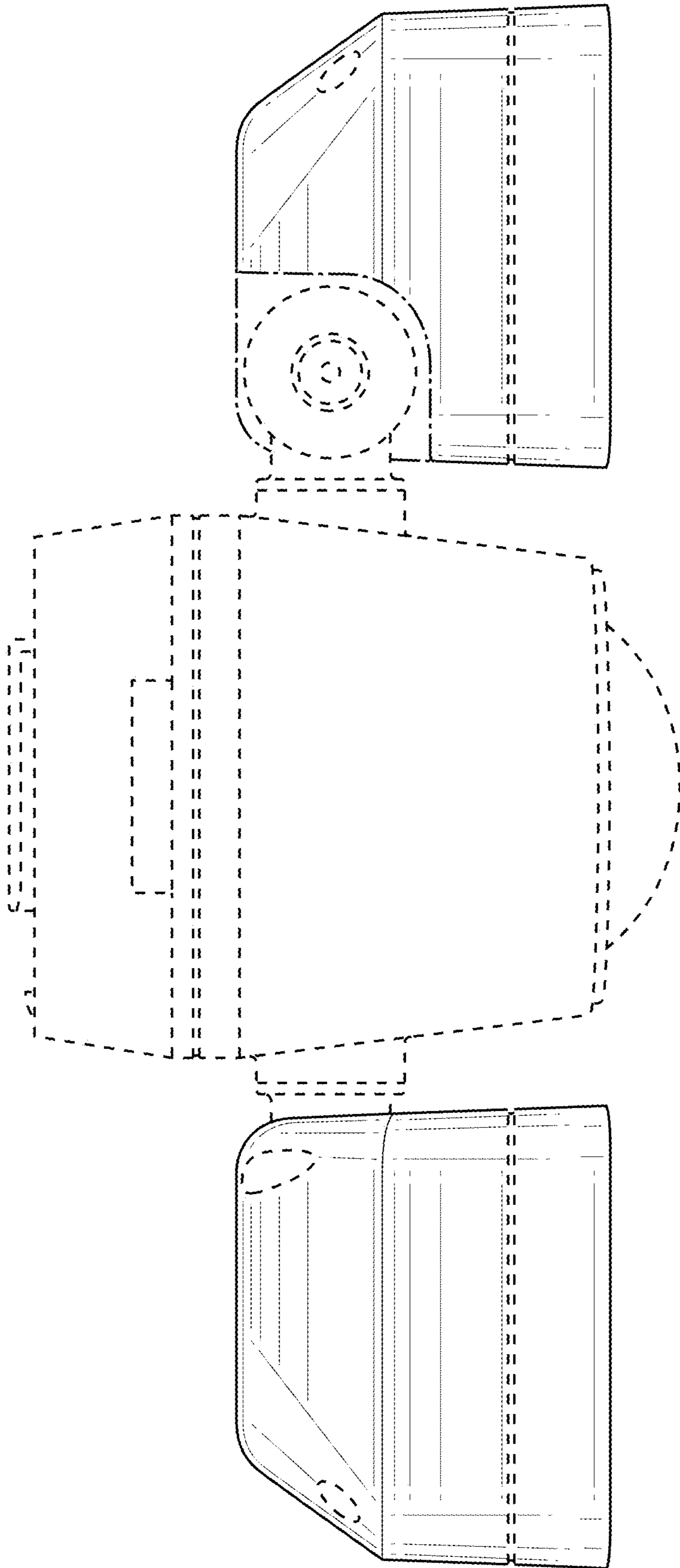


FIG. 9

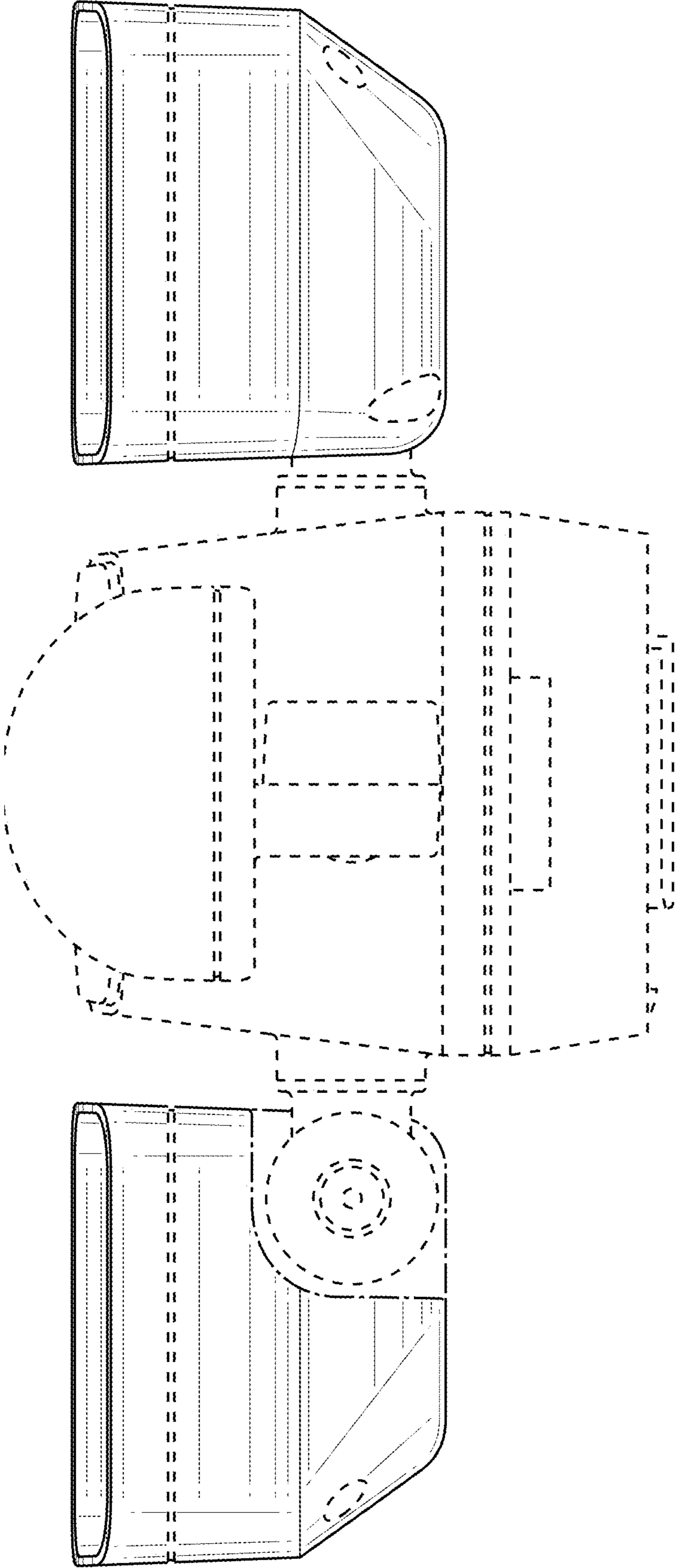


FIG. 10