



US00D928376S

(12) **United States Design Patent**
Zhang

(10) **Patent No.:** **US D928,376 S**

(45) **Date of Patent:** **** Aug. 17, 2021**

(54) **LIGHT THERAPY LAMP**

(71) Applicant: **SUNE OPTO-ELECTRONICS (SHENZHEN) CO., LTD.**, Shenzhen (CN)

(72) Inventor: **Minghui Zhang**, Tianmen (CN)

(73) Assignee: **SUNE OPTO-ELECTRONICS (SHENZHEN) CO., LTD.**, Shenzhen (CN)

(**) Term: **15 Years**

(21) Appl. No.: **29/712,954**

(22) Filed: **Nov. 13, 2019**

(30) **Foreign Application Priority Data**

May 30, 2019 (CN) 201930275830.9

(51) **LOC (13) Cl.** **26-03**

(52) **U.S. Cl.**
USPC **D26/63; D24/210**

(58) **Field of Classification Search**
USPC D26/106, 61, 63, 65; D24/209–210
CPC G02B 6/0031; A61L 2/26; A61N 5/0618;
A61N 5/00; F21L 4/005; F21V 9/10;
F21V 7/02; F21V 21/28; F21V 21/26;
F21V 21/06; F21V 21/00; F21W 2131/30;
F21W 2131/10; F21F 6/00; F21S 6/00;
F21S 8/00; F21S 8/024; F21S 6/003;
F21S 8/003
See application file for complete search history.

(56) **References Cited**

U.S. PATENT DOCUMENTS

D611,160 S * 3/2010 Fernie D24/209

D641,490 S * 7/2011 Fernie D24/210
D736,942 S * 8/2015 Hagenauer D24/210
D862,759 S * 10/2019 Mo D26/65
D899,612 S * 10/2020 Harmon D24/210
D899,677 S * 10/2020 Liu D24/210
D912,837 S * 3/2021 Zhang D24/210
2007/0129777 A1 * 6/2007 Bolta A61N 5/0618
607/88
2014/0257439 A1 * 9/2014 Douglas A61N 5/0618
607/90

* cited by examiner

Primary Examiner — Brian N. Vinson

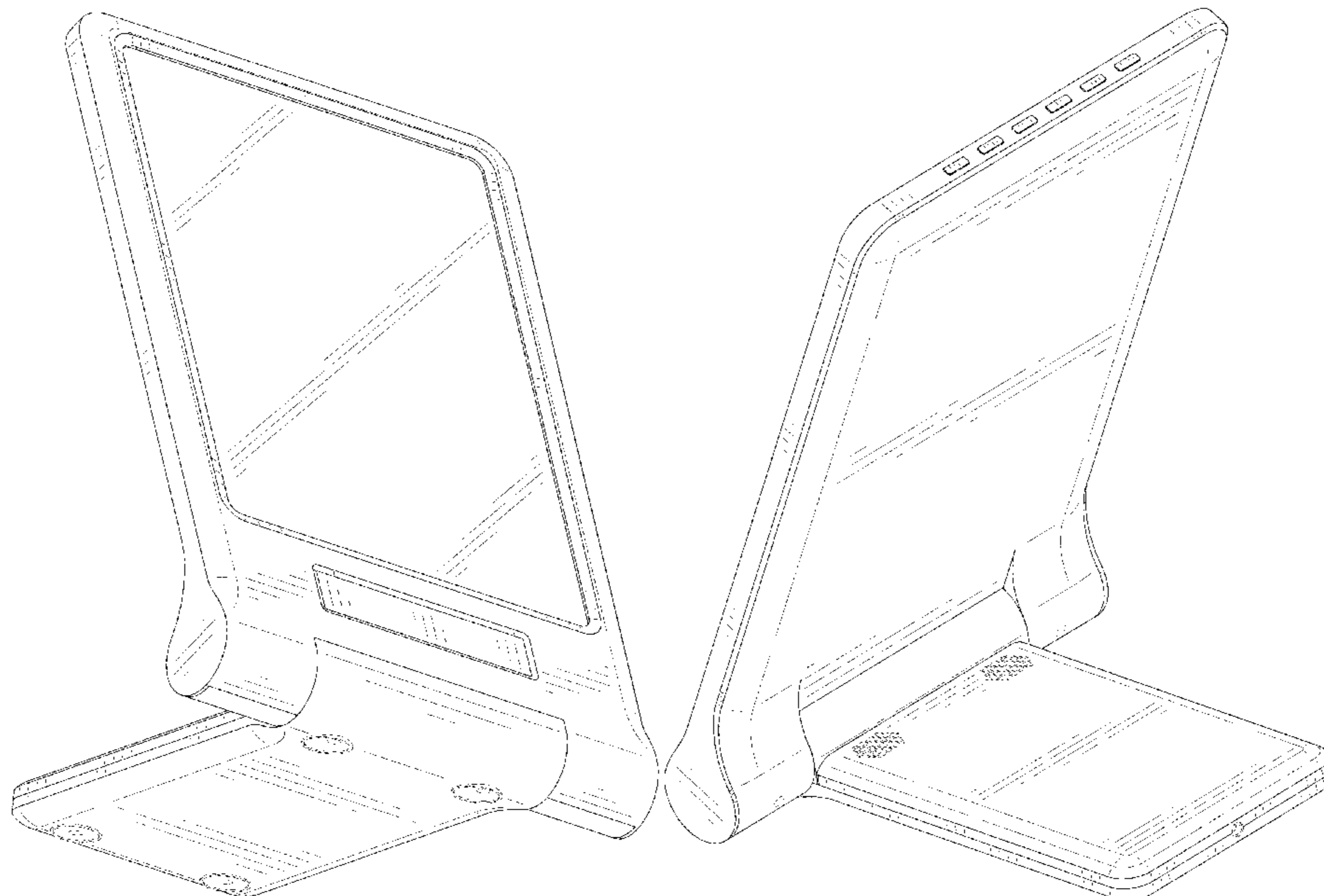
(57) **CLAIM**

The ornamental design for a light therapy lamp, as shown and described.

DESCRIPTION

FIG. 1 is a perspective view of a light therapy lamp showing my new design;
FIG. 2 is another perspective view thereof;
FIG. 3 is a front elevational view thereof;
FIG. 4 is a rear elevational view thereof;
FIG. 5 is a left side elevational view thereof;
FIG. 6 is a right side elevational view thereof;
FIG. 7 is a top plan view thereof;
FIG. 8 is a bottom plan view thereof; and,
FIG. 9 is a perspective view of the light therapy lamp where the light therapy is in a folded state.
The broken lines in the drawings depict portions of the light therapy lamp that form no part of the claimed design.

1 Claim, 9 Drawing Sheets



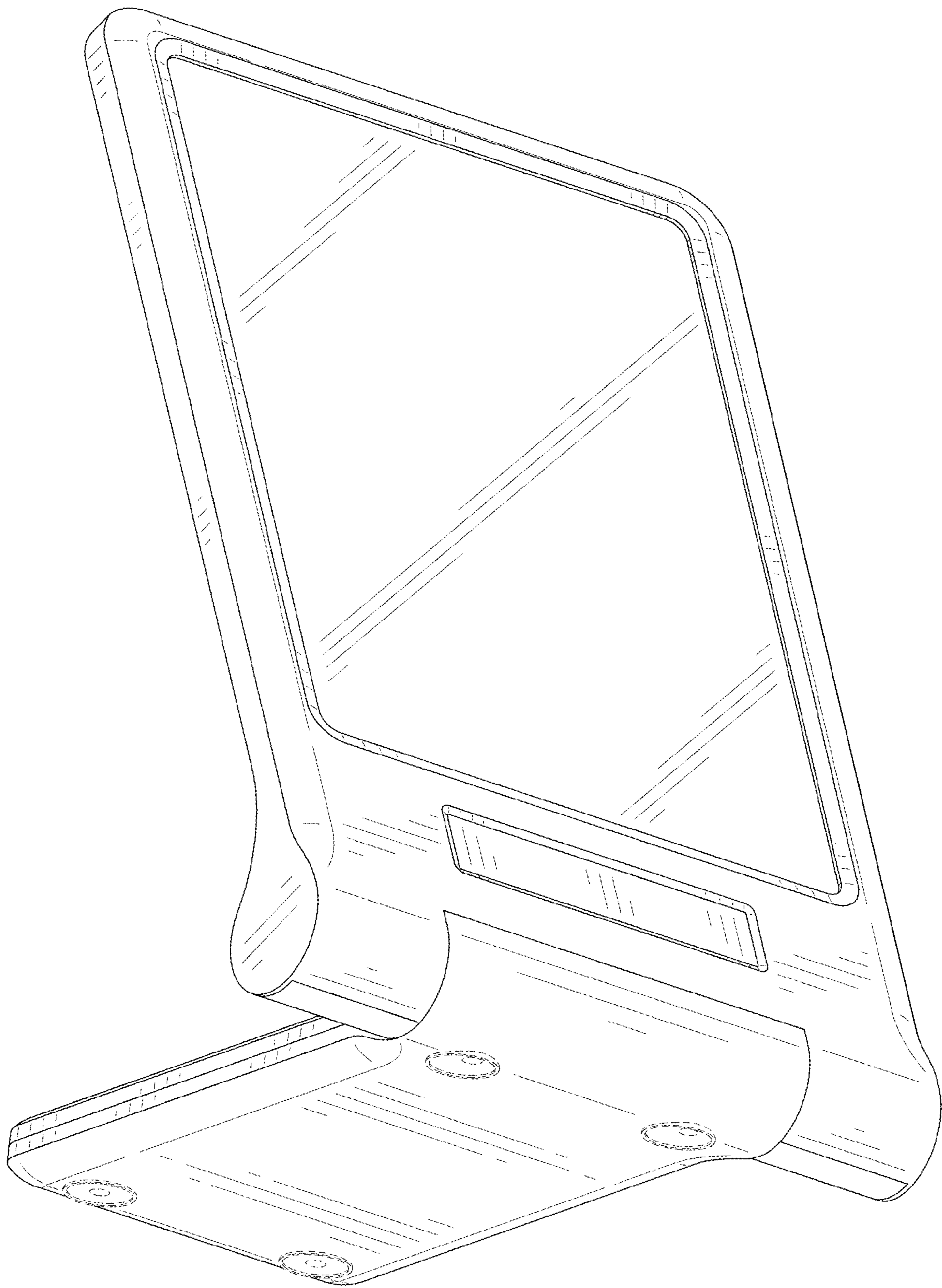


FIG. 1

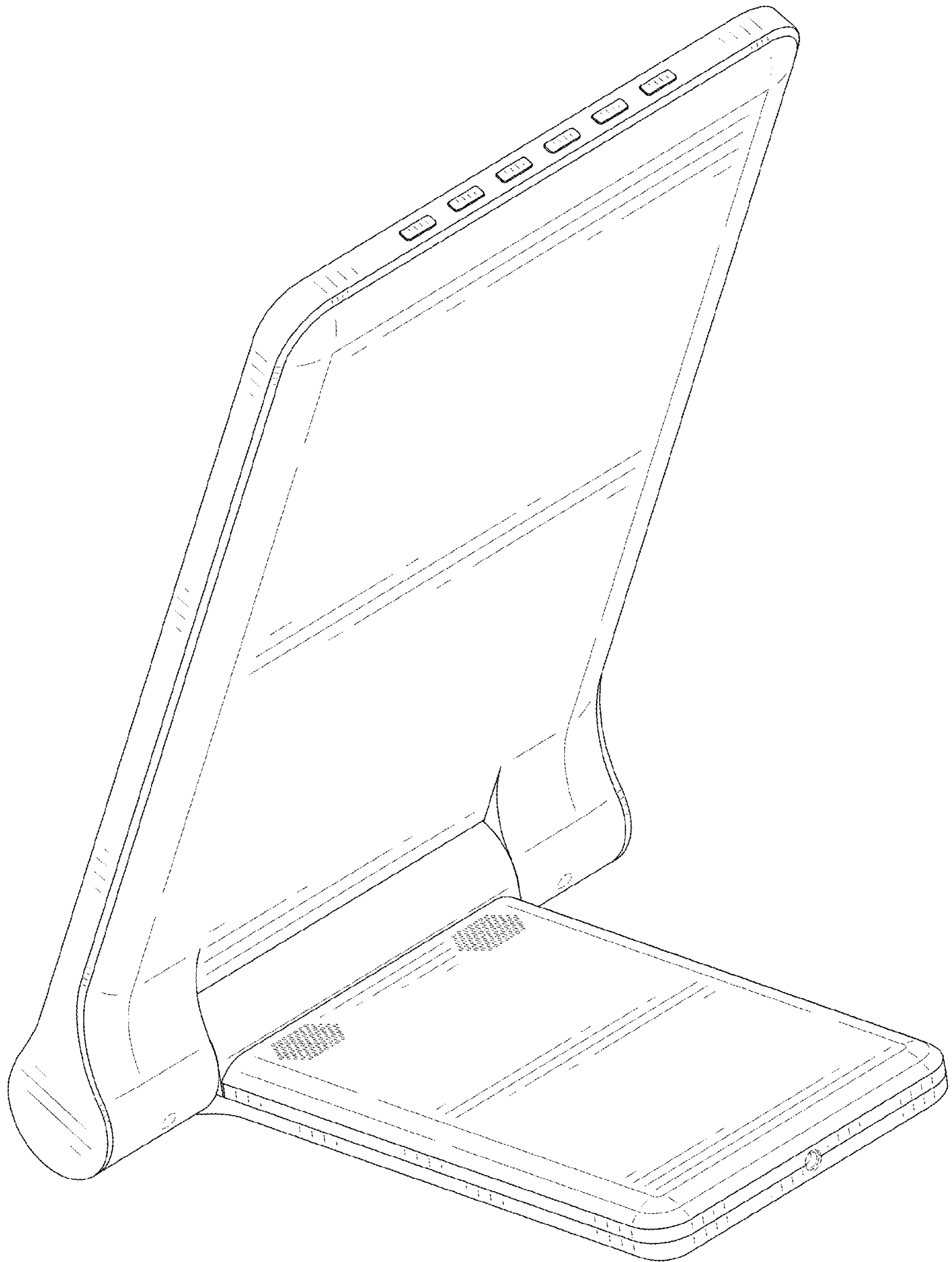


FIG. 2

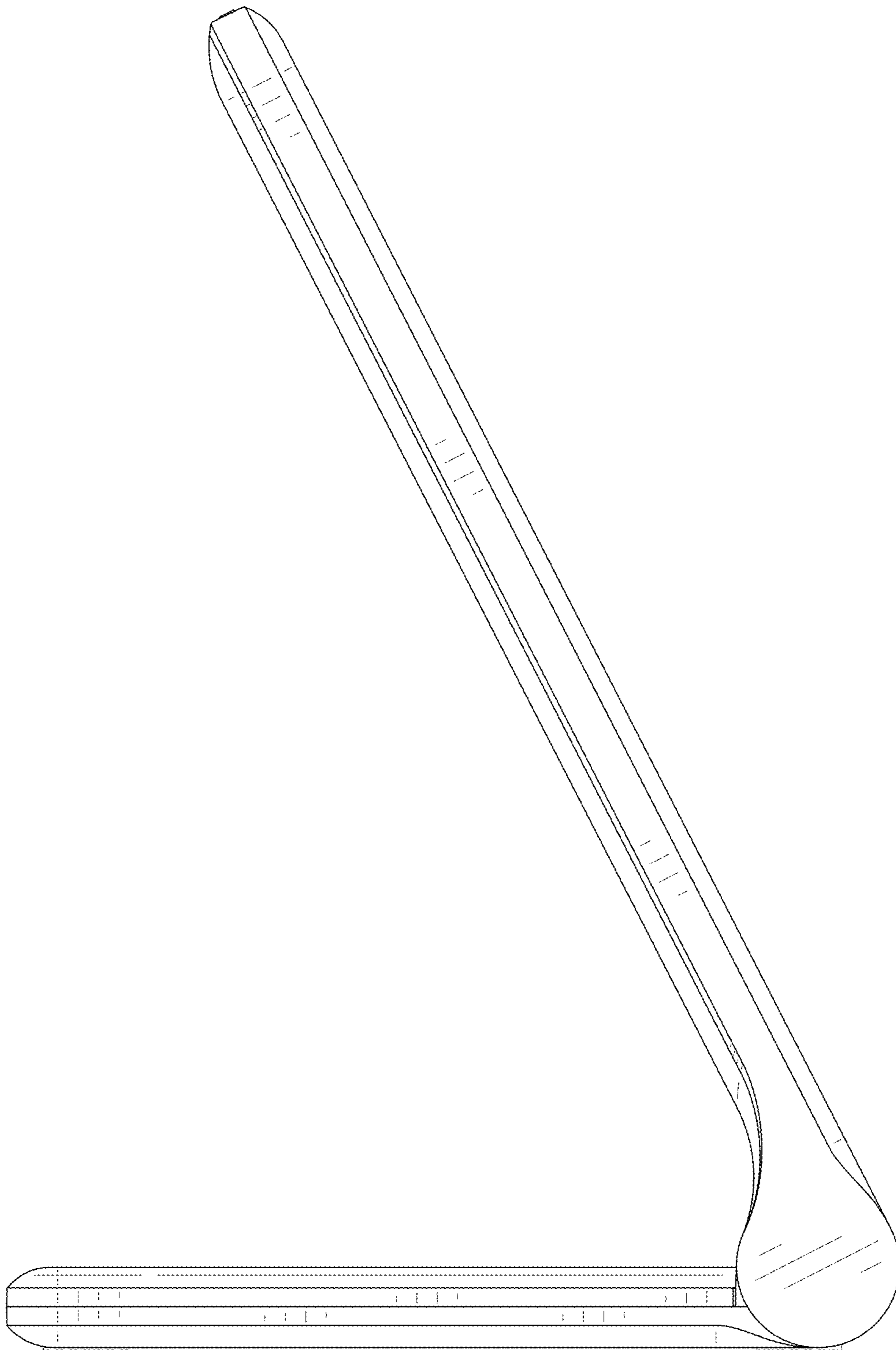


FIG. 3

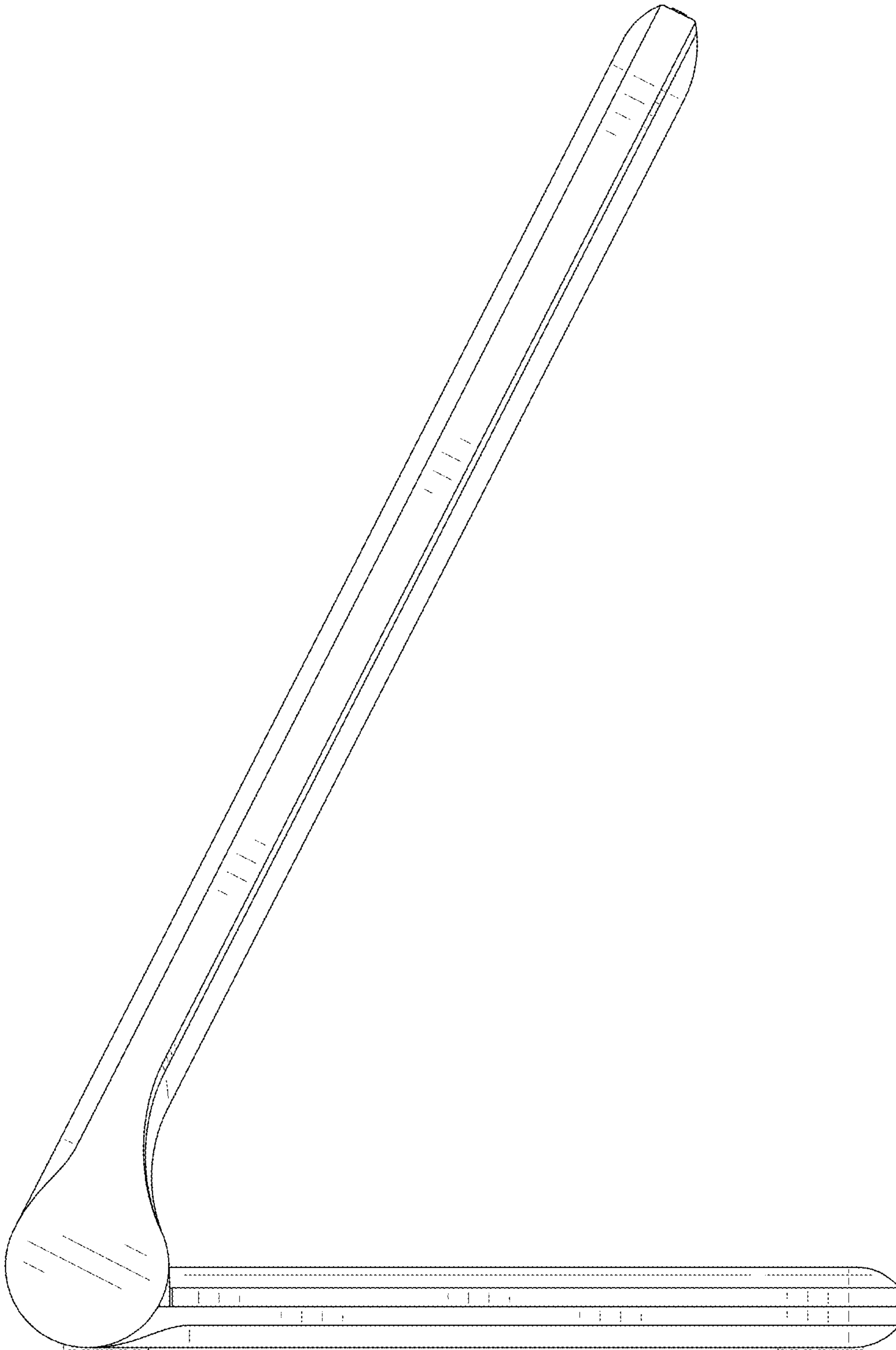


FIG. 4

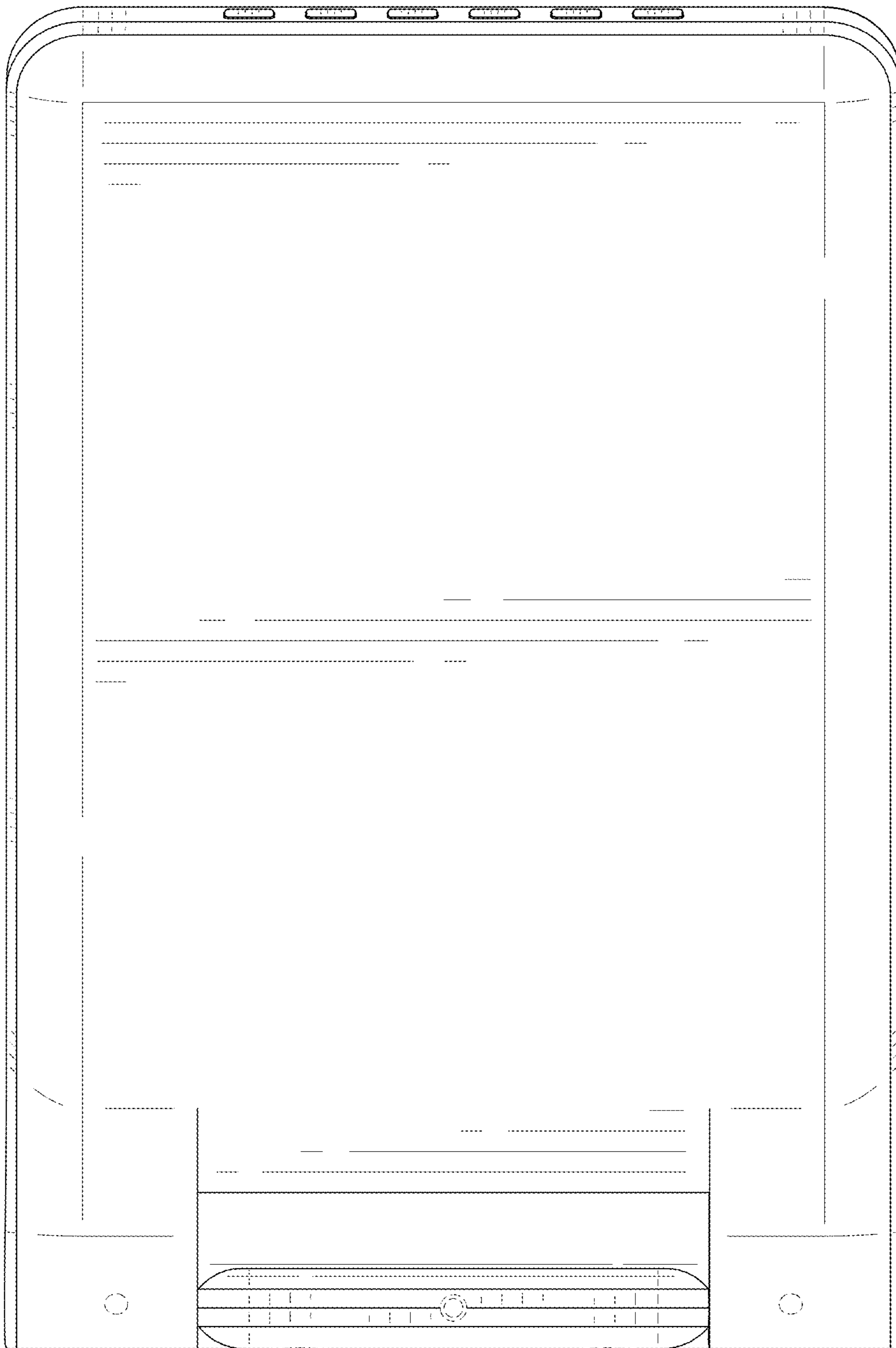


FIG. 5

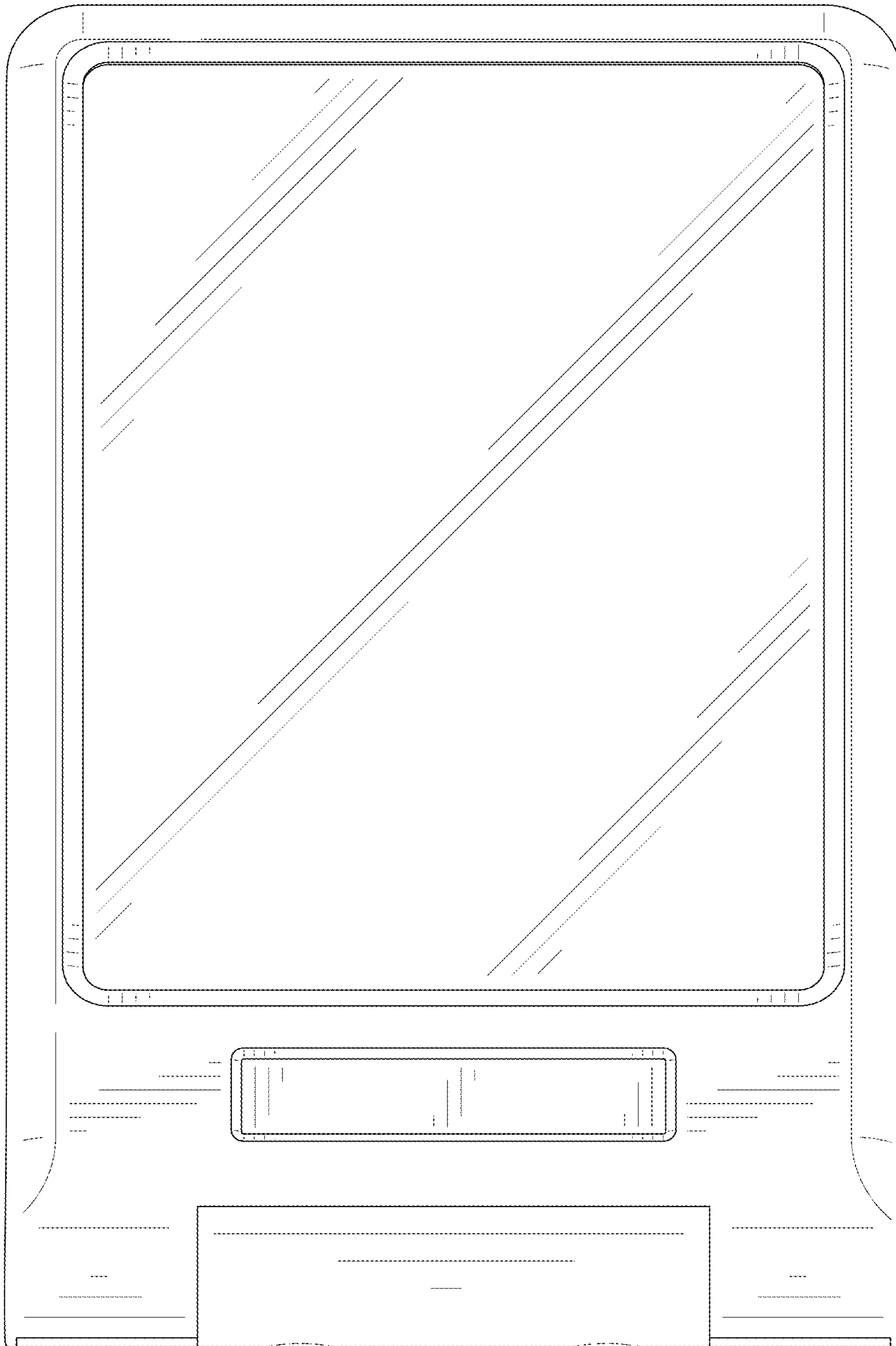


FIG. 6

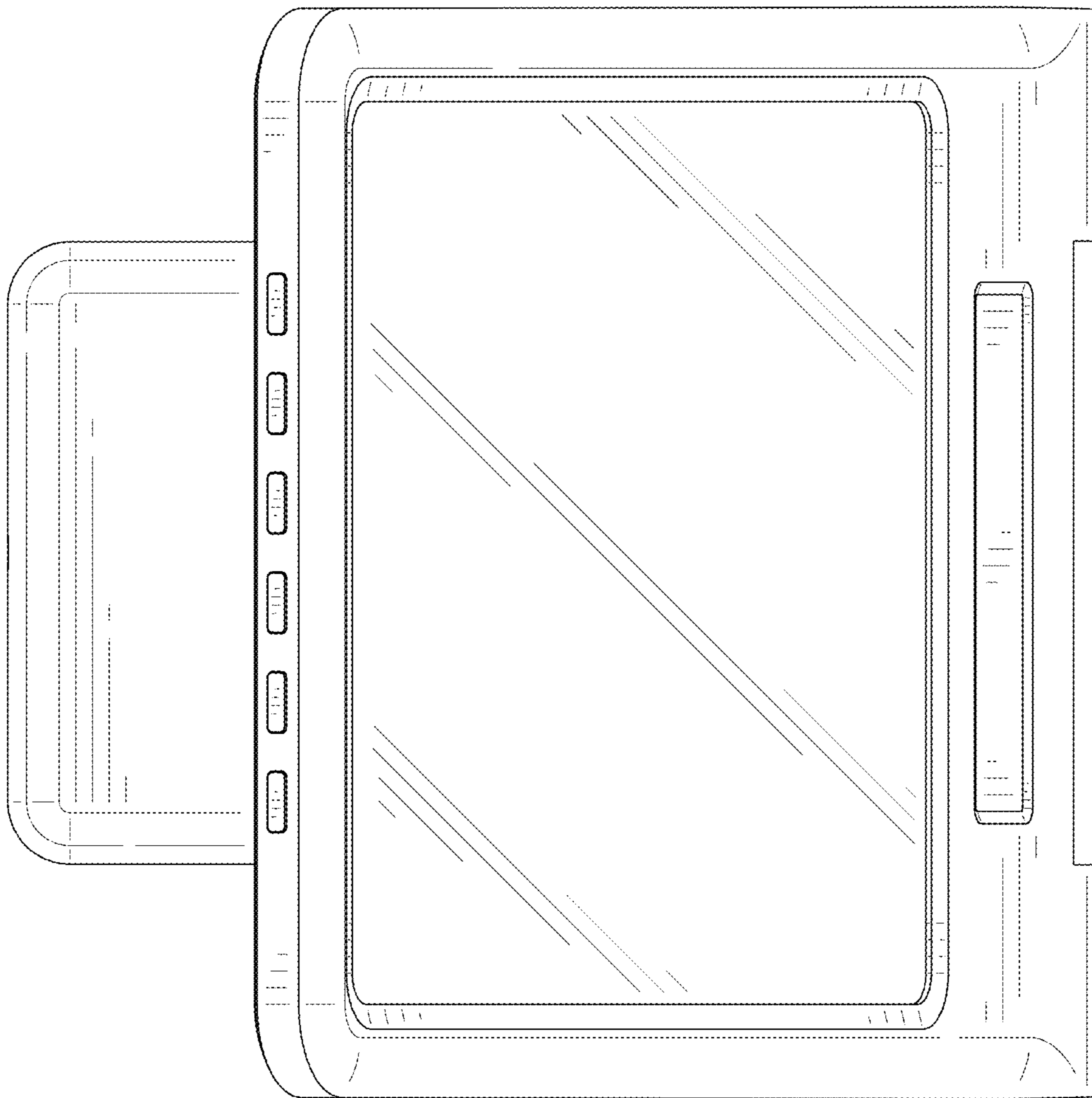


FIG. 7

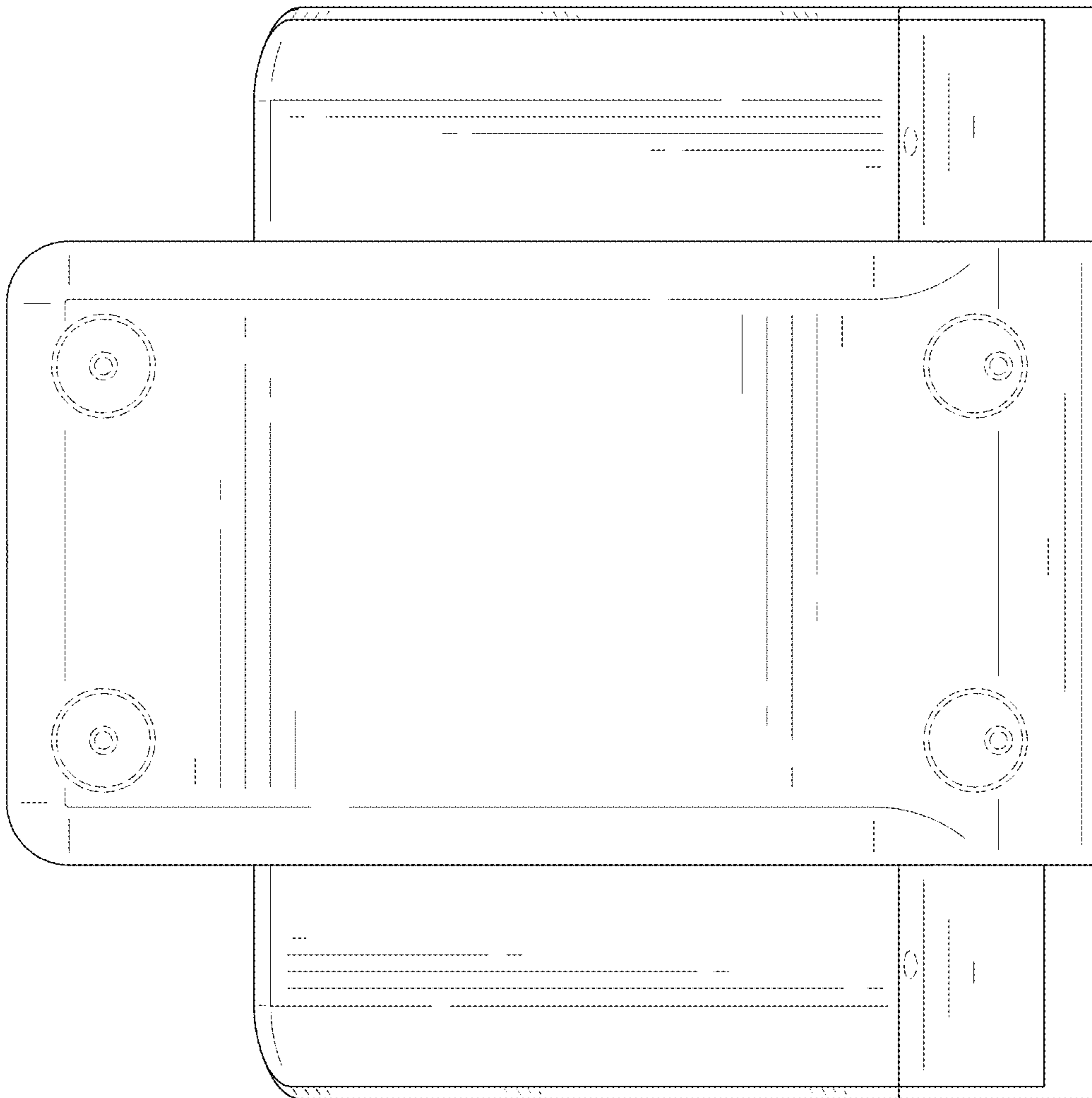


FIG. 8

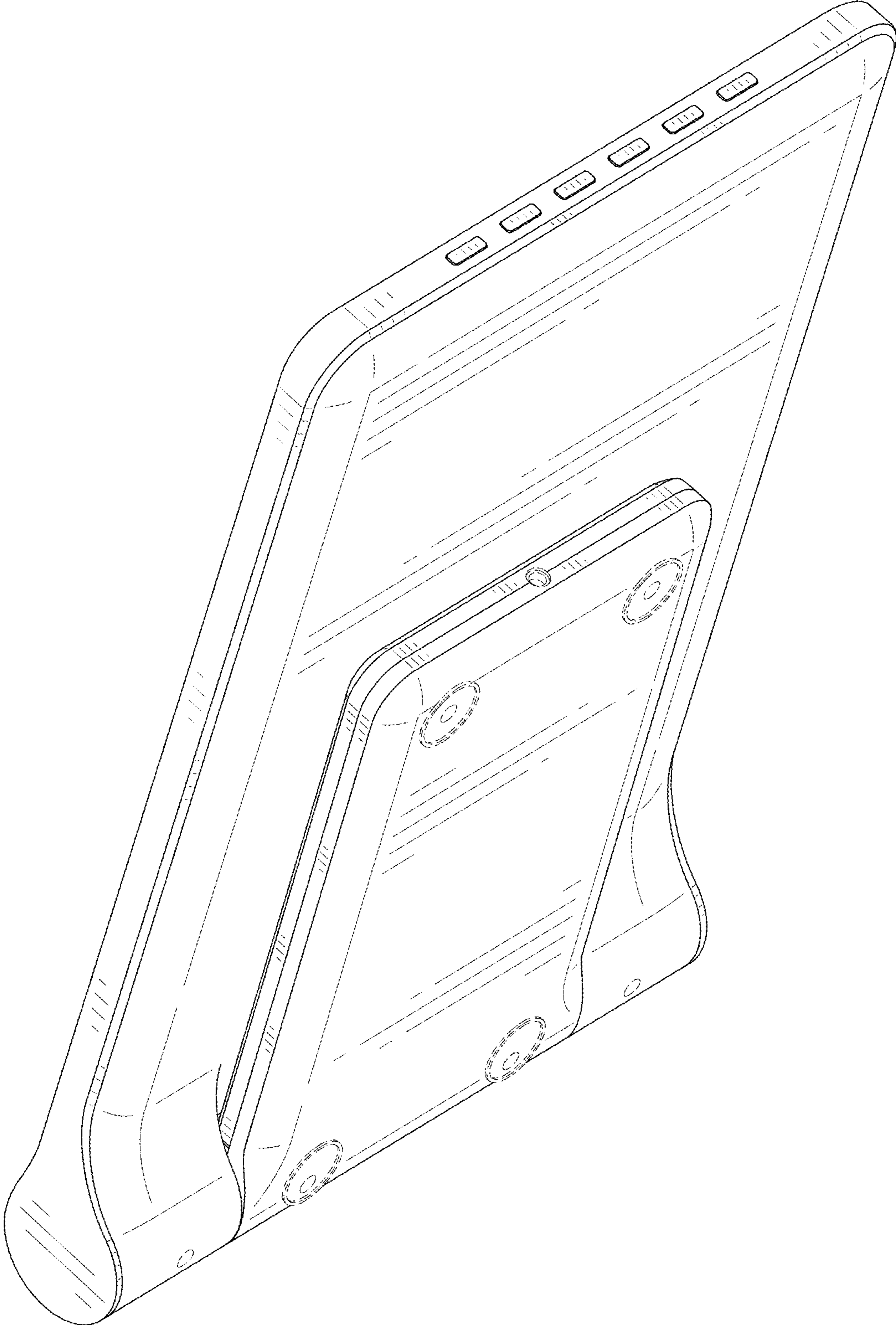


FIG. 9