



US00D928375S

(12) **United States Design Patent**
Mao

(10) **Patent No.:** **US D928,375 S**

(45) **Date of Patent:** **** Aug. 17, 2021**

(54) **FOLDABLE OUTDOOR LIGHT**

(71) Applicant: **Ningbo Sunree Outdoor Products Co., Ltd., Cixi (CN)**

(72) Inventor: **Huanjun Mao, Cixi (CN)**

(**) Term: **15 Years**

(21) Appl. No.: **29/712,431**

(22) Filed: **Nov. 8, 2019**

(51) **LOC (13) Cl.** **26-05**

(52) **U.S. Cl.**
USPC **D26/63**

(58) **Field of Classification Search**
USPC D10/106.6, 106.7, 106.8; D26/61-66
CPC F21S 8/03; F21S 8/032; F21S 8/033; F21S 9/03; F21S 9/032; F21S 9/035; F21S 9/037; F21V 21/30

See application file for complete search history.

(56) **References Cited**

U.S. PATENT DOCUMENTS

D827,170 S * 8/2018 Zhang D26/44
D880,743 S * 4/2020 Qiu D26/63
D889,016 S * 6/2020 Qiu D26/63
D899,657 S * 10/2020 You D26/63

D907,272 S * 1/2021 Takahashi D26/63
D909,650 S * 2/2021 Cleaver D26/63
D910,894 S * 2/2021 Dongdong F21V 23/0414
D26/50

D912,867 S * 3/2021 Qiu D26/63
2019/0353332 A1* 11/2019 You F21V 23/0414

* cited by examiner

Primary Examiner — George D. Kirschbaum

Assistant Examiner — Joseph J Kukella

(57) **CLAIM**

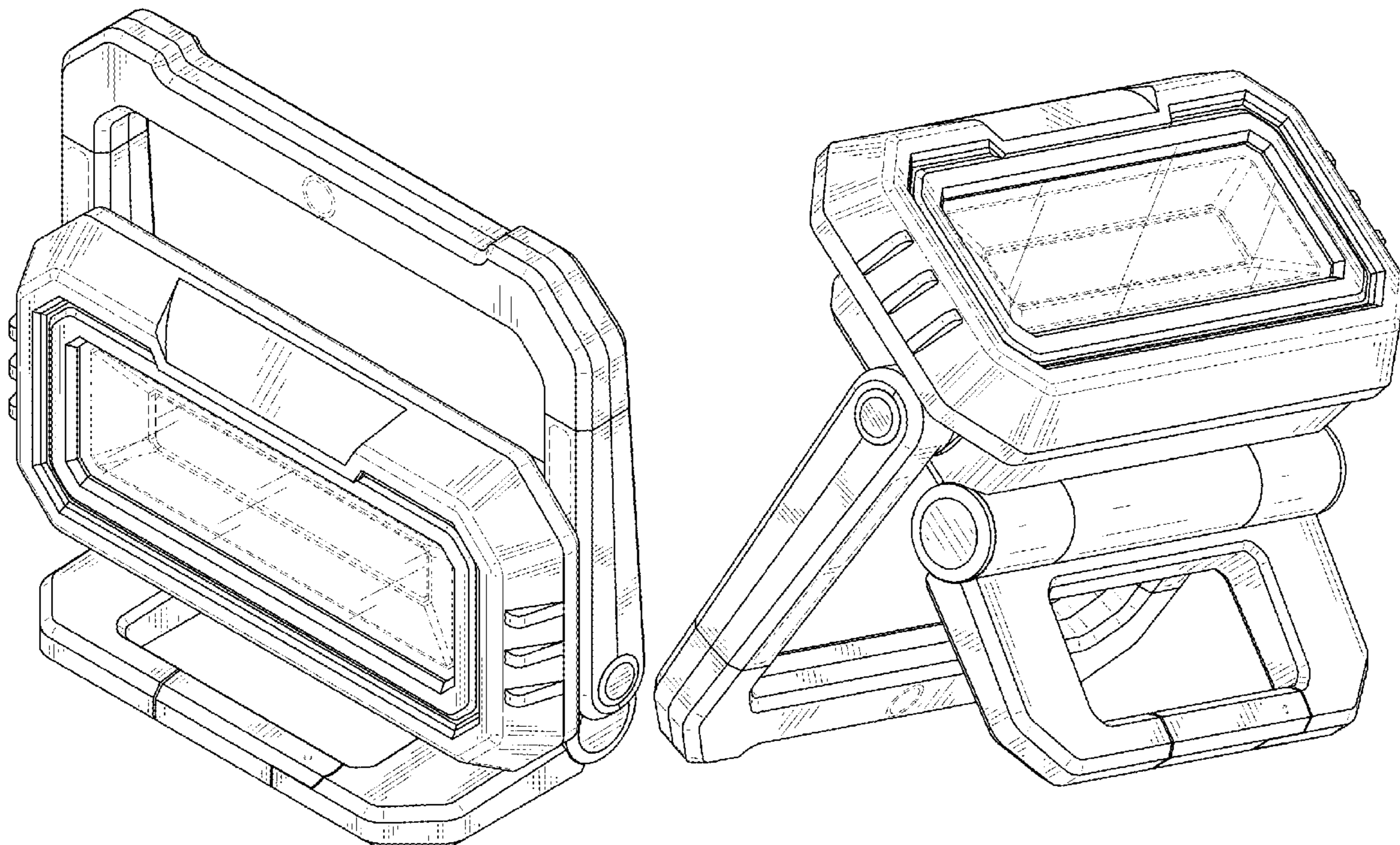
The ornamental design for a foldable outdoor light, as shown and described.

DESCRIPTION

FIG. 1 is a first perspective view of a foldable outdoor light showing, my new design;
FIG. 2 is a second perspective view thereof;
FIG. 3 is a front view thereof;
FIG. 4 is a back view thereof;
FIG. 5 is a left side view thereof;
FIG. 6 is a right side view thereof;
FIG. 7 is a top view thereof;
FIG. 8 is a bottom view thereof; and,
FIG. 9 is a perspective view of another state of the foldable outdoor light thereof.

The broken lines shown in the drawings depict portions of foldable outdoor light in which the design is embodied that form no part of the claimed design.

1 Claim, 9 Drawing Sheets



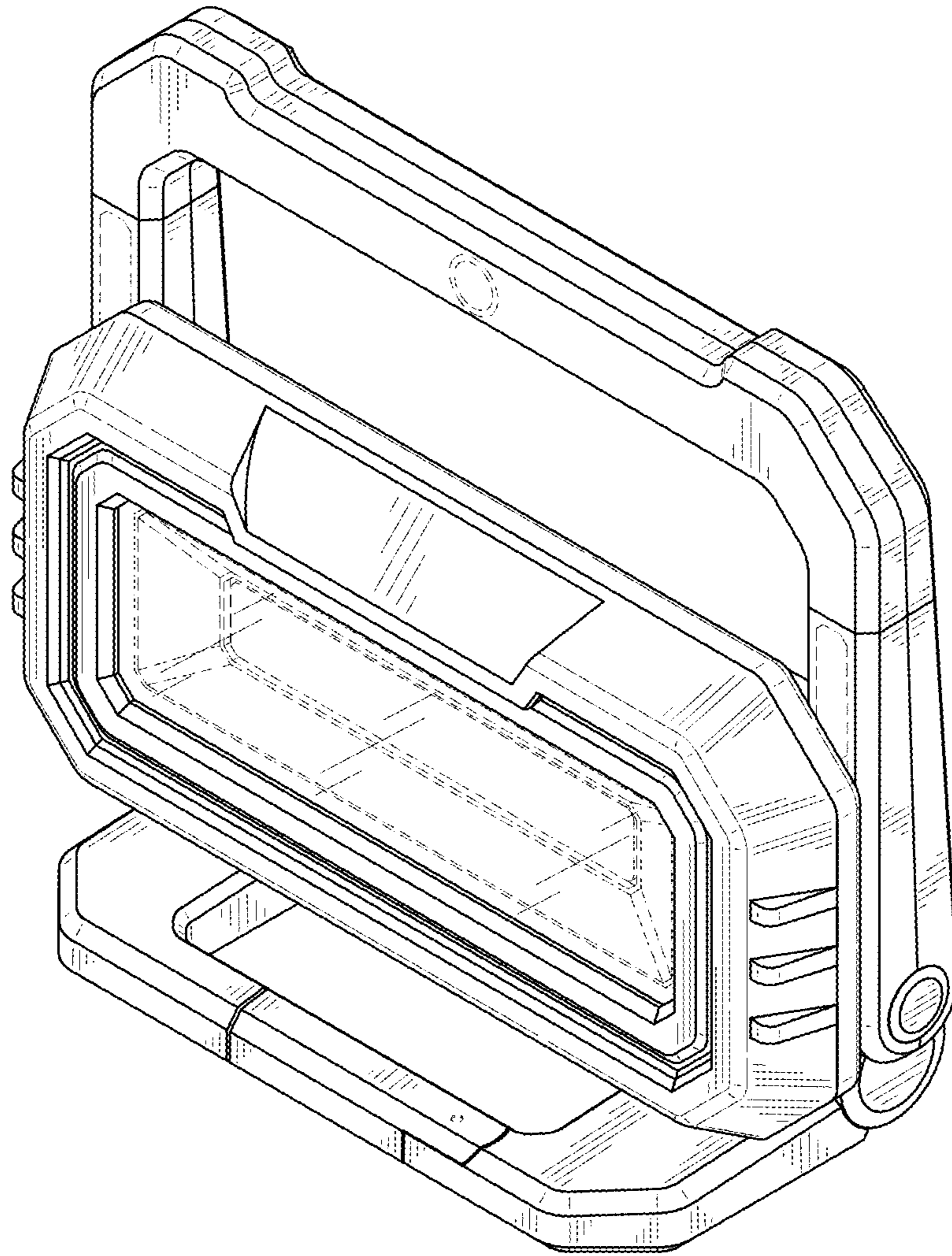


FIG. 1

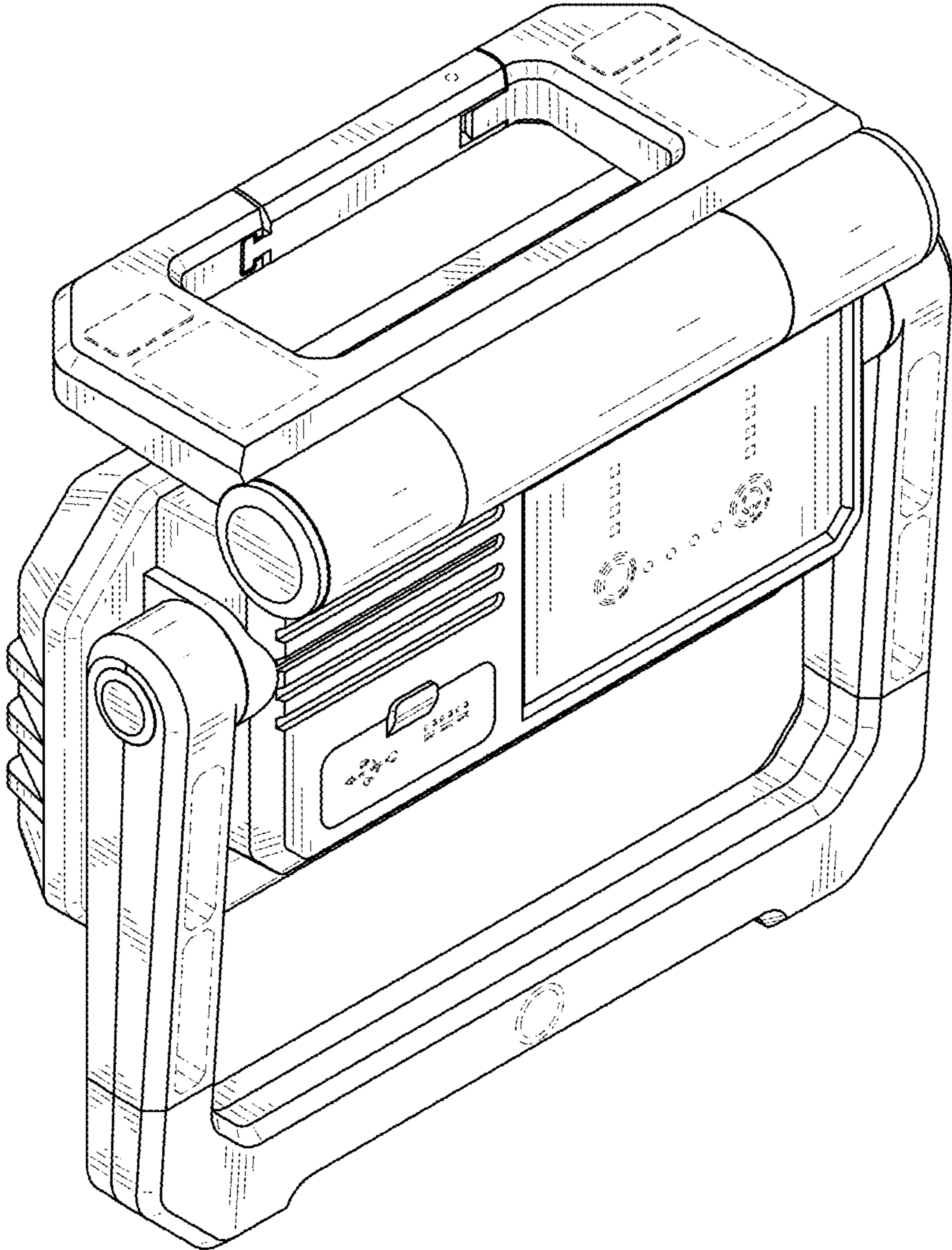


FIG. 2

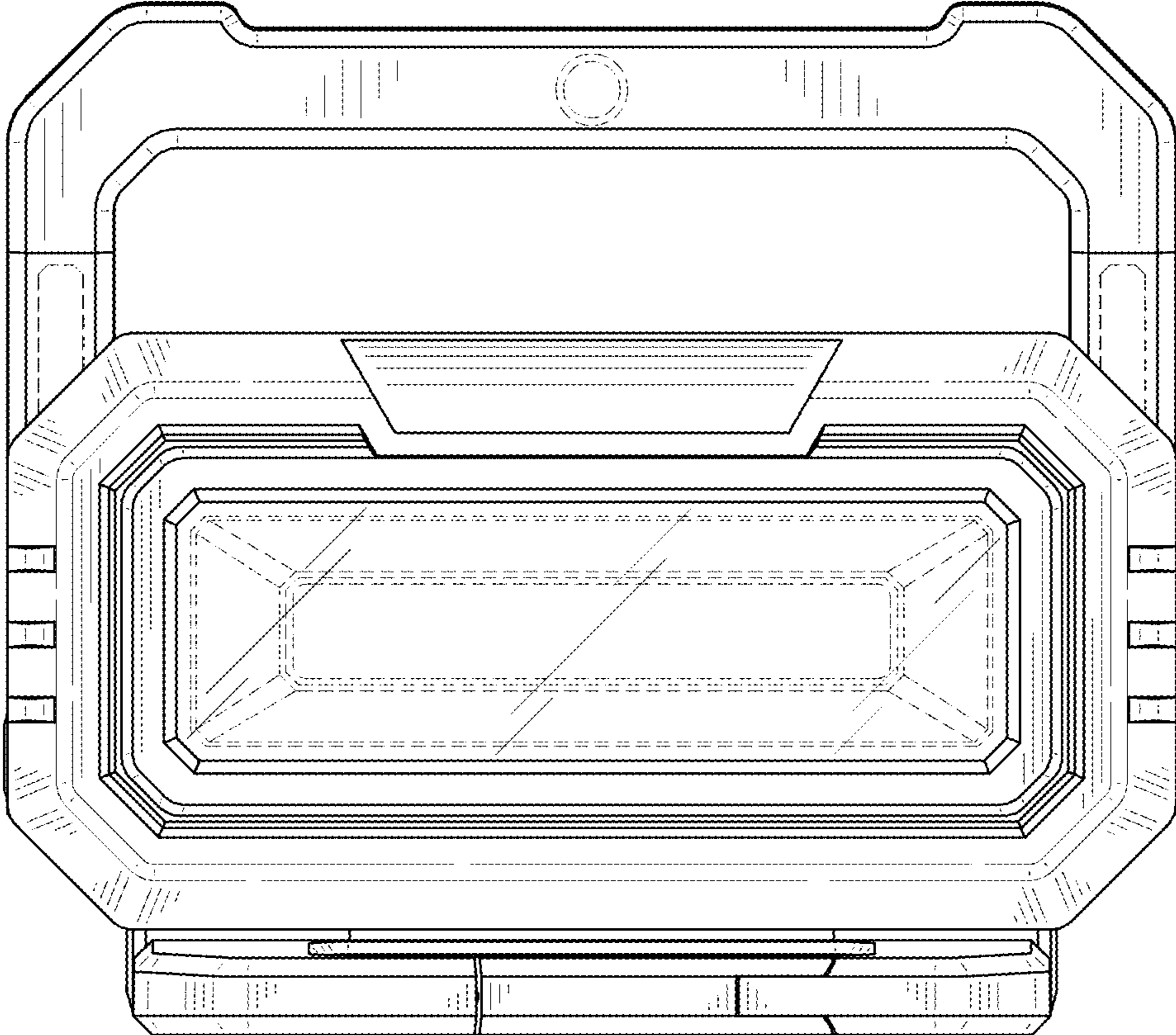


FIG. 3

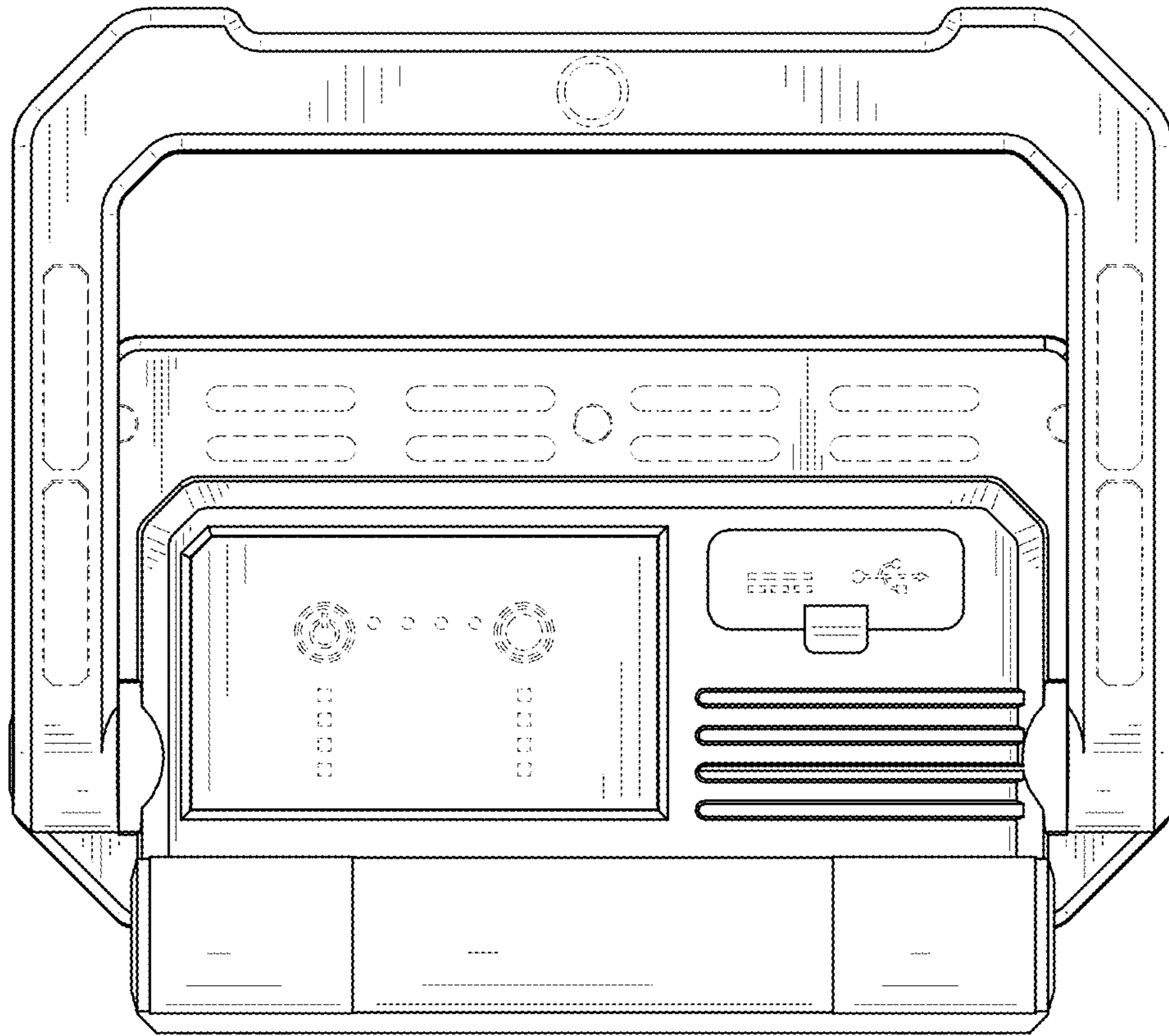


FIG. 4

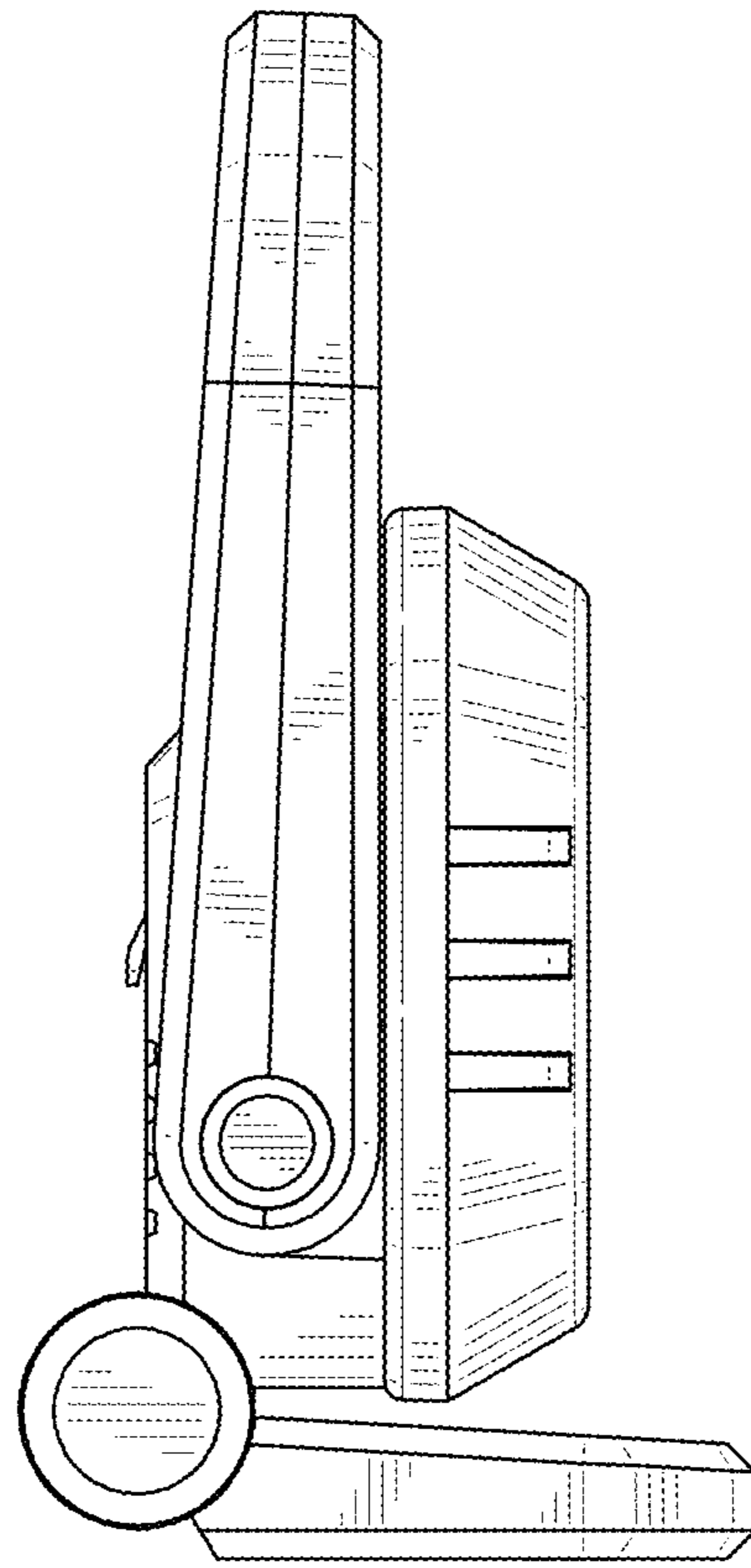


FIG. 5

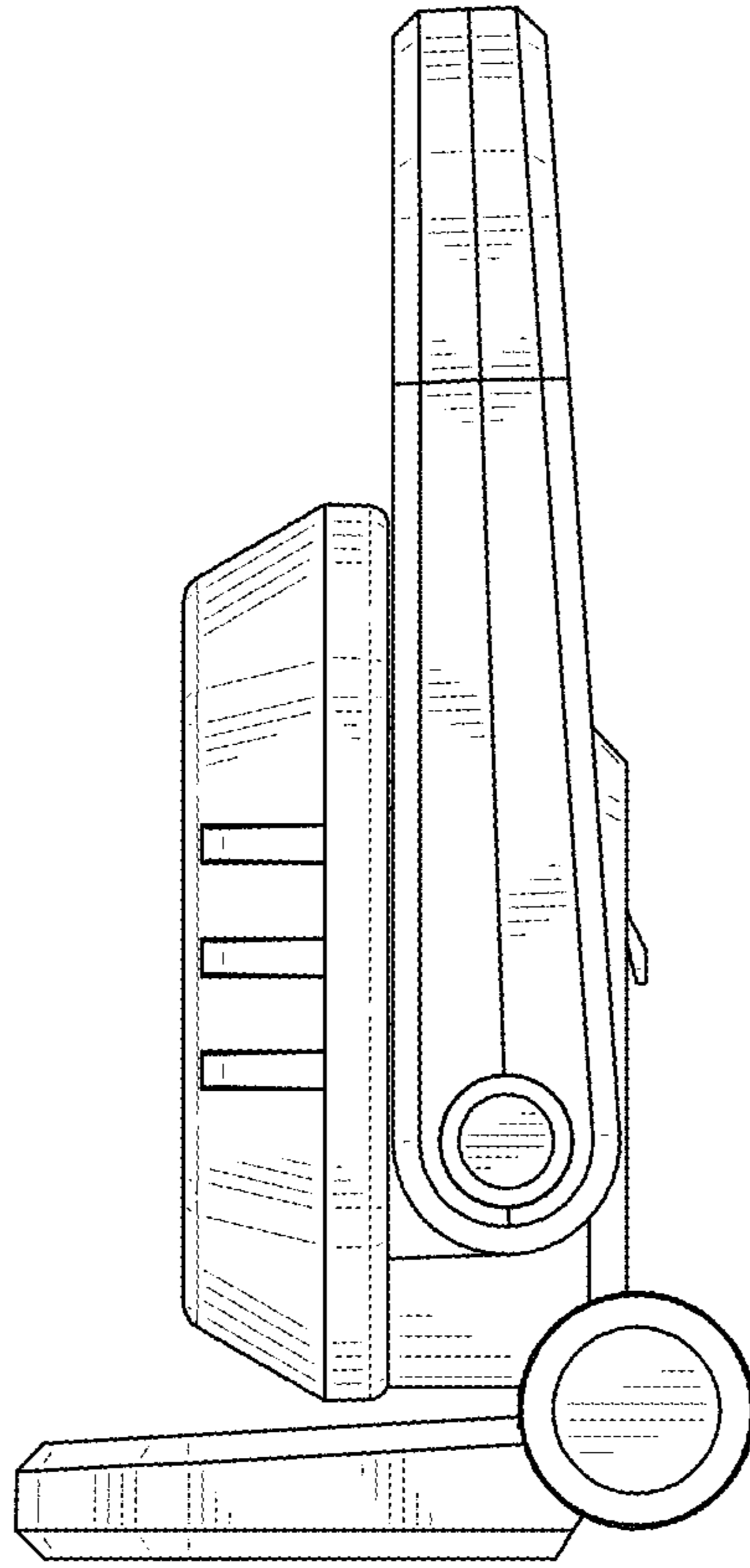


FIG. 6

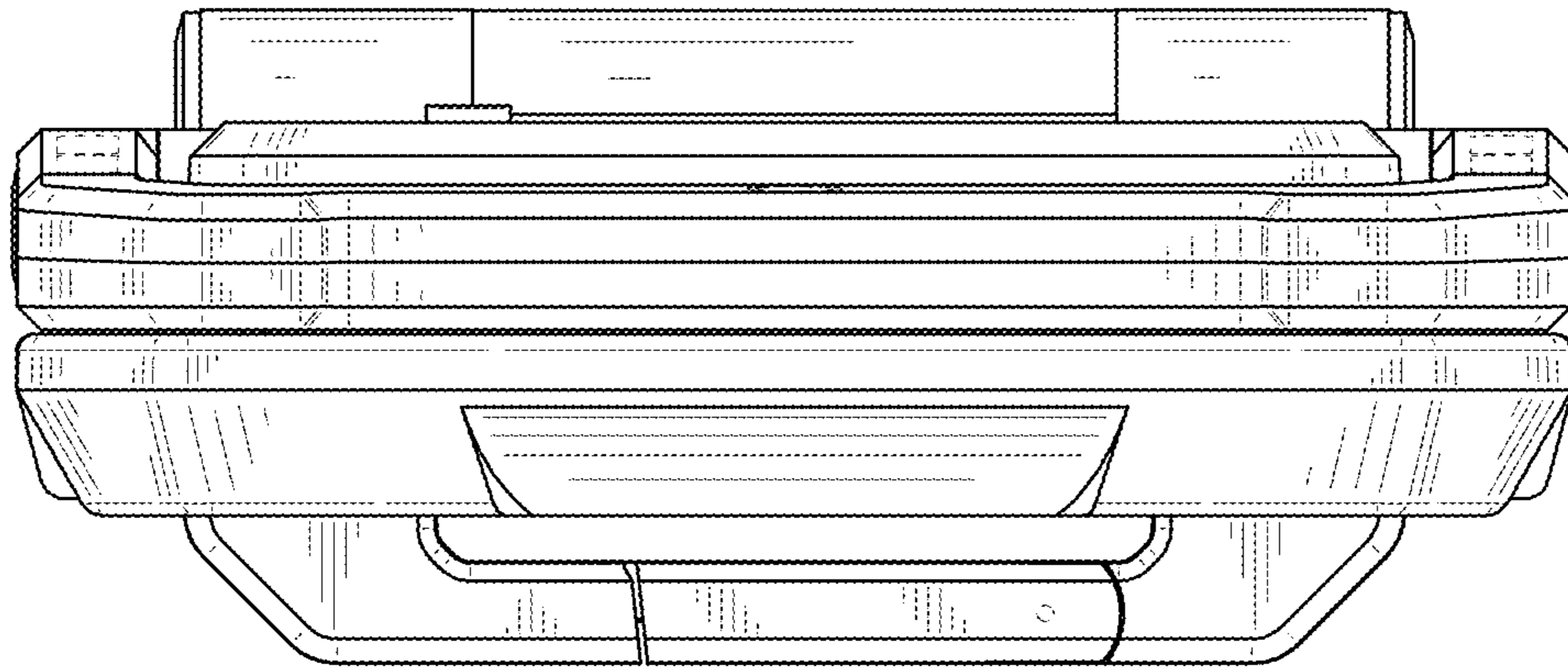


FIG. 7

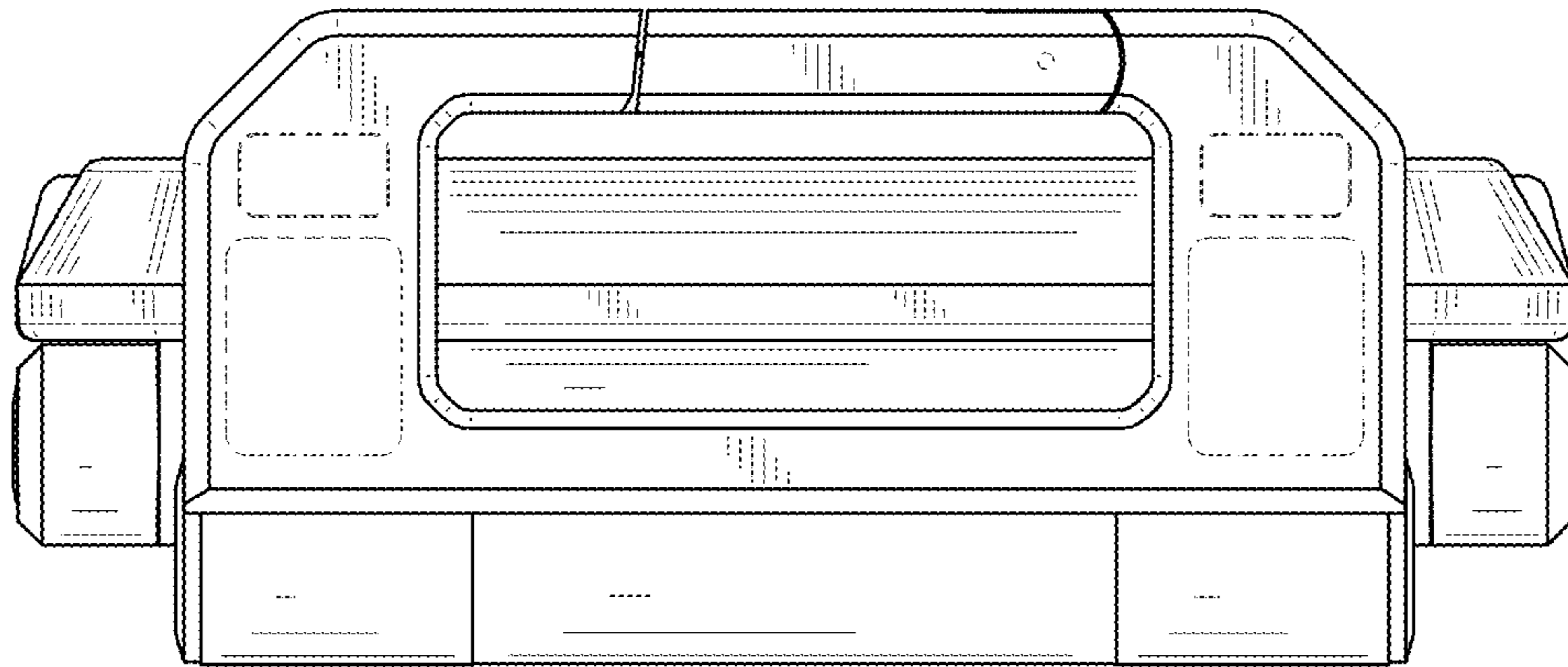


FIG. 8

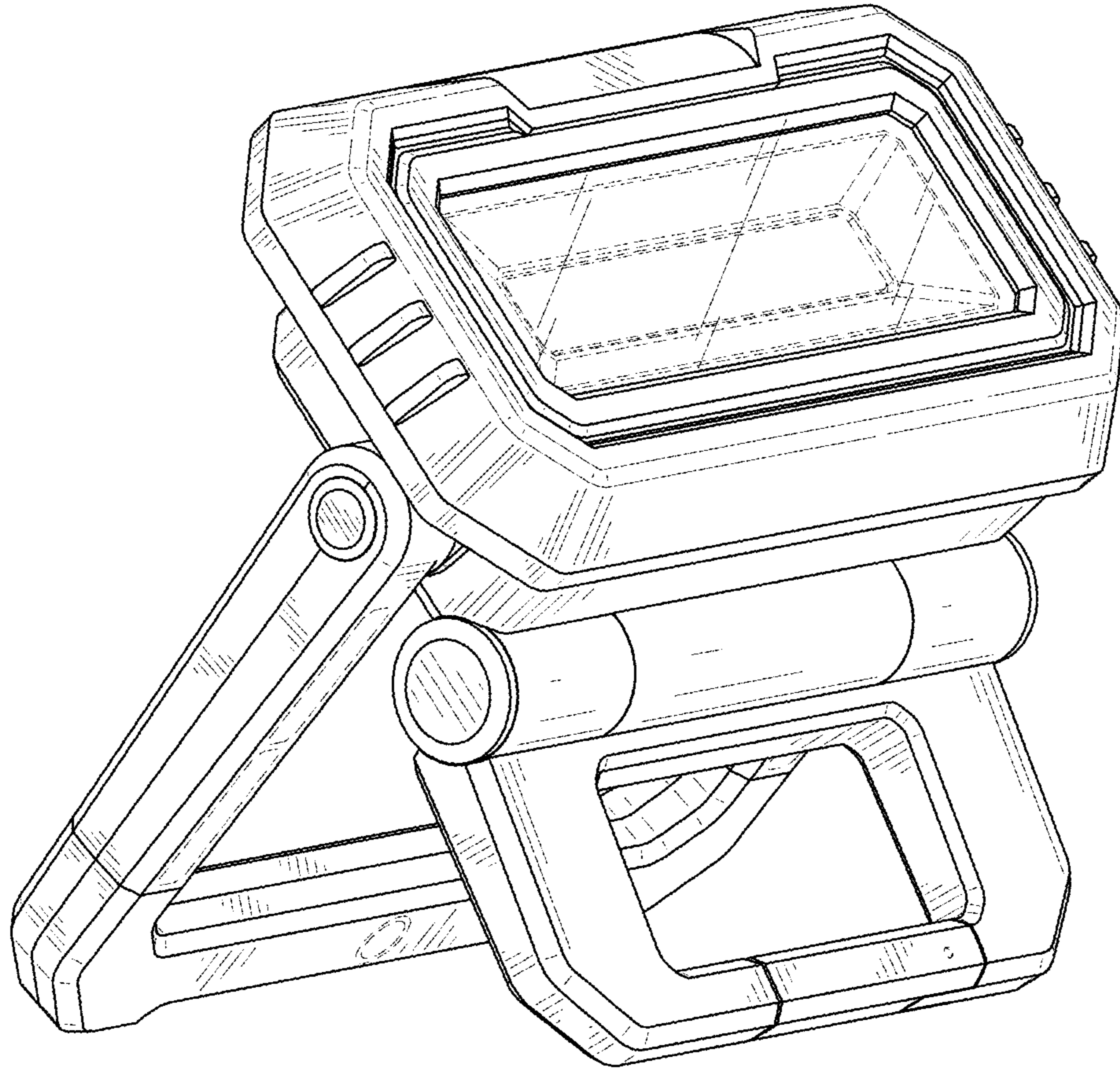


FIG. 9